



US00D555495S

(12) **United States Design Patent**  
**Dunman, Jr.**

(10) **Patent No.:** **US D555,495 S**

(45) **Date of Patent:** **\*\* Nov. 20, 2007**

(54) **BEVERAGE BOTTLE**

(76) **Inventor:** **William Dunman, Jr.**, 4625 Street Rd.,  
Trevose, PA (US) 19053

(\*\*) **Term:** **14 Years**

(21) **Appl. No.:** **29/258,759**

(22) **Filed:** **Apr. 27, 2006**

(51) **LOC (8) Cl.** ..... **09-01**

(52) **U.S. Cl.** ..... **D9/551; D9/549; D9/550;**  
**D9/556; D9/558**

(58) **Field of Classification Search** ..... **D9/516,**  
**D9/551, 549, 550, 556, 558, 564, 569, 520,**  
**D9/537, 538, 539, 563; 215/381, 382, 383,**  
**215/384**

See application file for complete search history.

(56) **References Cited**

**U.S. PATENT DOCUMENTS**

D250,879 S *	1/1979	Marks	.....	D9/627
D316,813 S *	5/1991	Cannon	.....	D9/520
D330,327 S *	10/1992	Messer	.....	D9/500
D330,334 S *	10/1992	Rusnock et al.	.....	D9/500
D330,861 S *	11/1992	Lower	.....	D9/563
D357,864 S *	5/1995	Rusnock et al.	.....	D9/500
D363,026 S *	10/1995	Sillince et al.	.....	D9/500
D373,729 S *	9/1996	Protheroe et al.	.....	D9/500
D374,176 S *	10/1996	Sillince et al.	.....	D9/719
D379,765 S *	6/1997	Hencher	.....	D9/542
D393,398 S *	4/1998	Trevino, Sr.	.....	D7/594
D412,838 S *	8/1999	Pljakic	.....	D9/652

D413,511 S *	9/1999	Guthrie et al.	.....	D9/658
D422,490 S *	4/2000	Nemeth et al.	.....	D9/649
D430,806 S *	9/2000	Di Robilant	.....	D9/563
D432,364 S *	10/2000	Hansen	.....	D7/606
D438,117 S *	2/2001	Shefler et al.	.....	D9/516
D445,671 S *	7/2001	Davis	.....	D9/499
D459,655 S *	7/2002	Darr et al.	.....	D9/502
D475,926 S *	6/2003	Rusnock et al.	.....	D9/502
D476,896 S *	7/2003	Cheng et al.	.....	D9/520
D498,228 S *	11/2004	Kasden	.....	D14/207

\* cited by examiner

*Primary Examiner*—Stella Reid

*Assistant Examiner*—Elizabeth J. Oswecki

(74) *Attorney, Agent, or Firm*—Nixon & Vanderhye, PC

(57) **CLAIM**

The ornamental design for a “beverage bottle”, as shown and described.

**DESCRIPTION**

FIG. 1 is a perspective view of a beverage bottle in accordance with my new design;

FIG. 2 is a front elevation view thereof;

FIG. 3 is a rear elevation thereof;

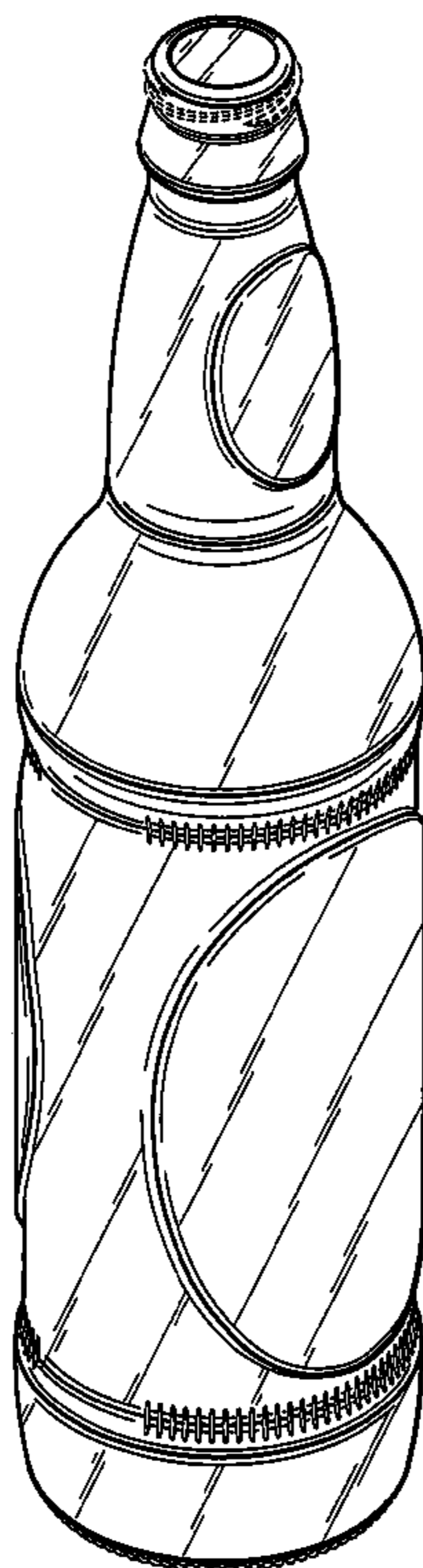
FIG. 4 is a right side elevation view thereof;

FIG. 5 is a left side elevation view thereof;

FIG. 6 is a top plan view thereof; and,

FIG. 7 is a bottom plan view thereof.

**1 Claim, 4 Drawing Sheets**



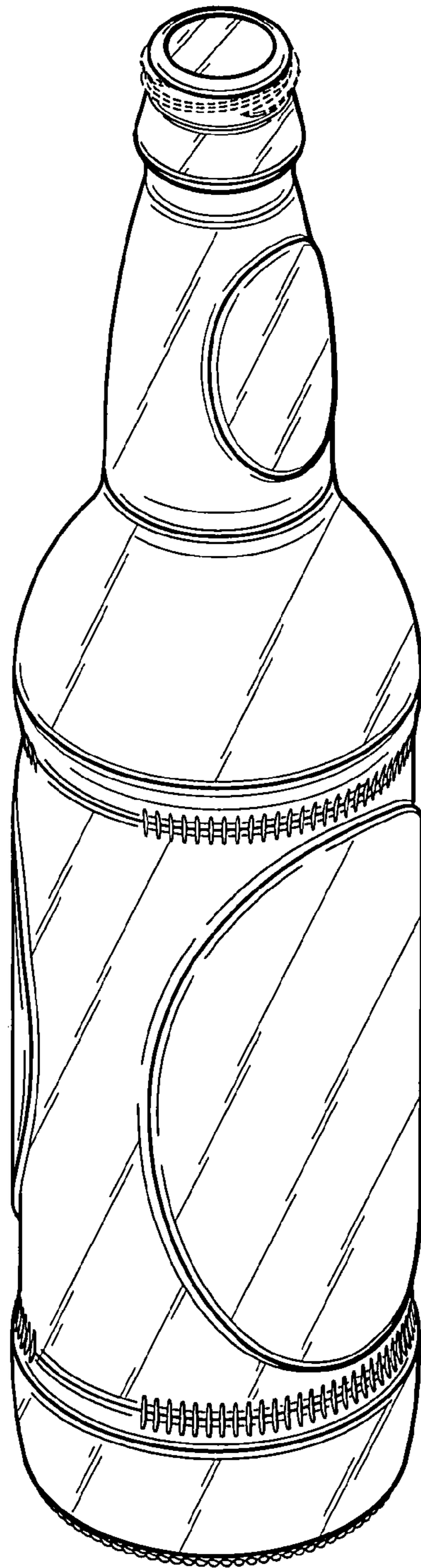


Fig. 1

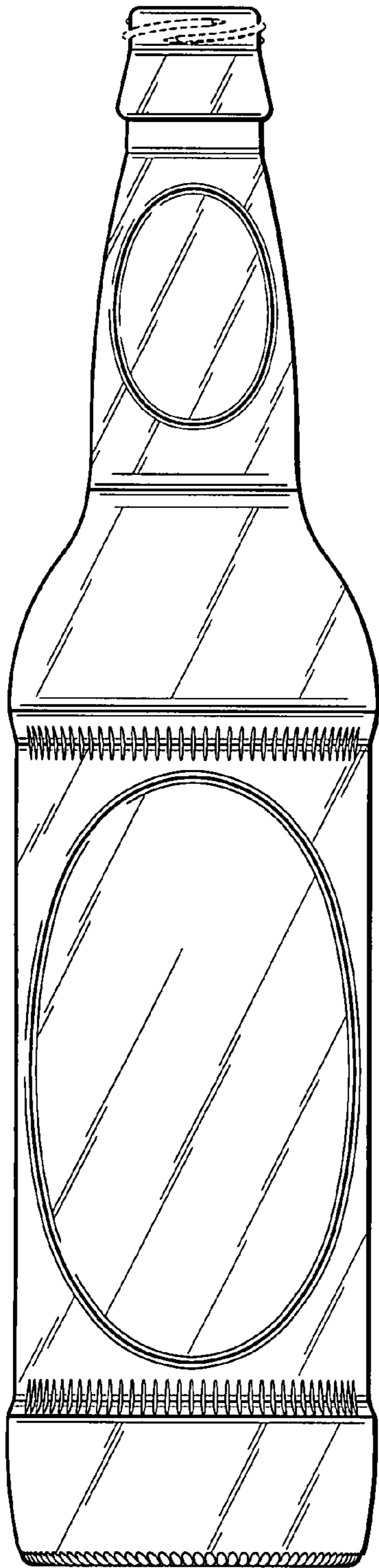


Fig. 2

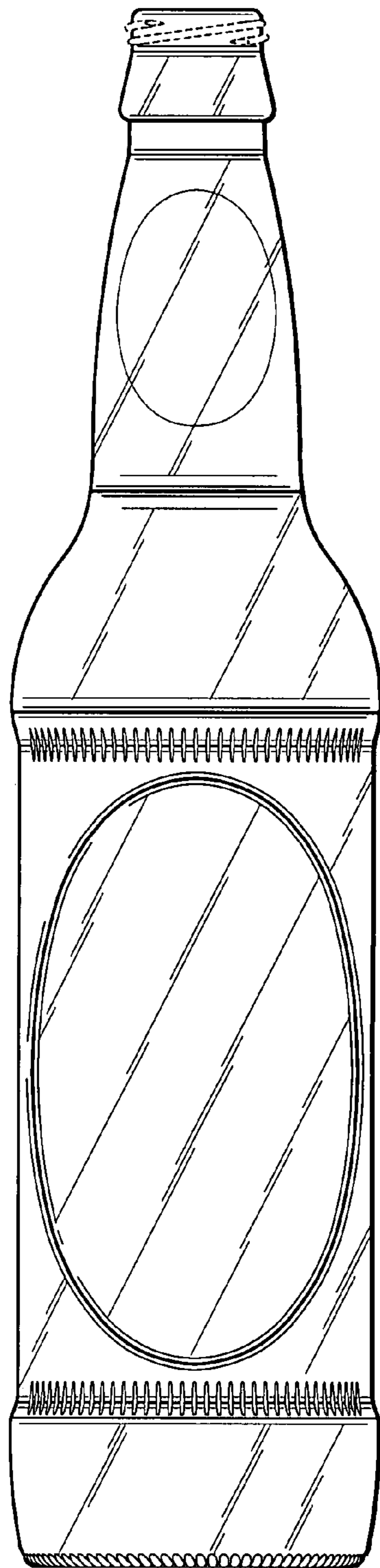


Fig. 3

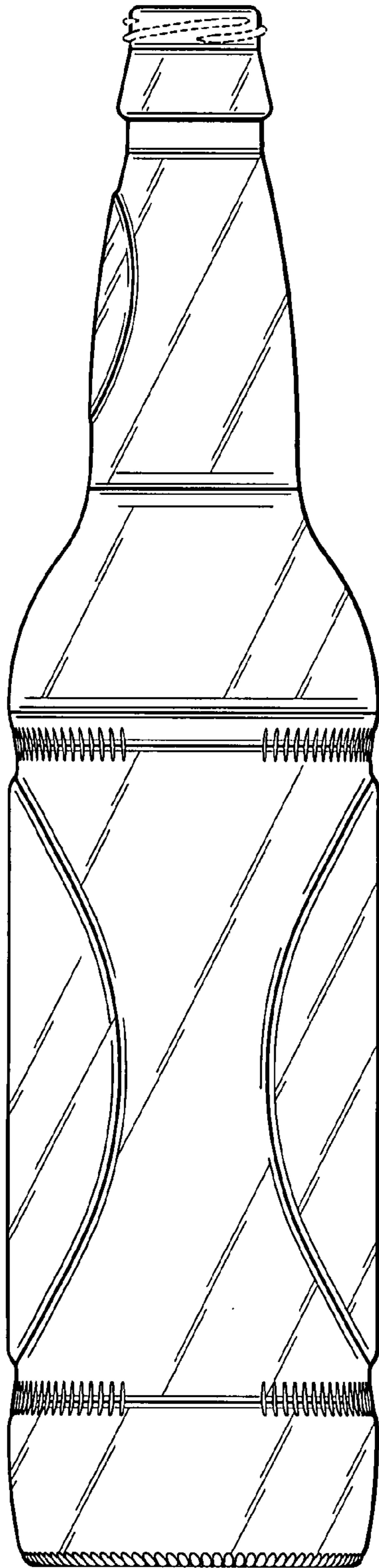


Fig. 4

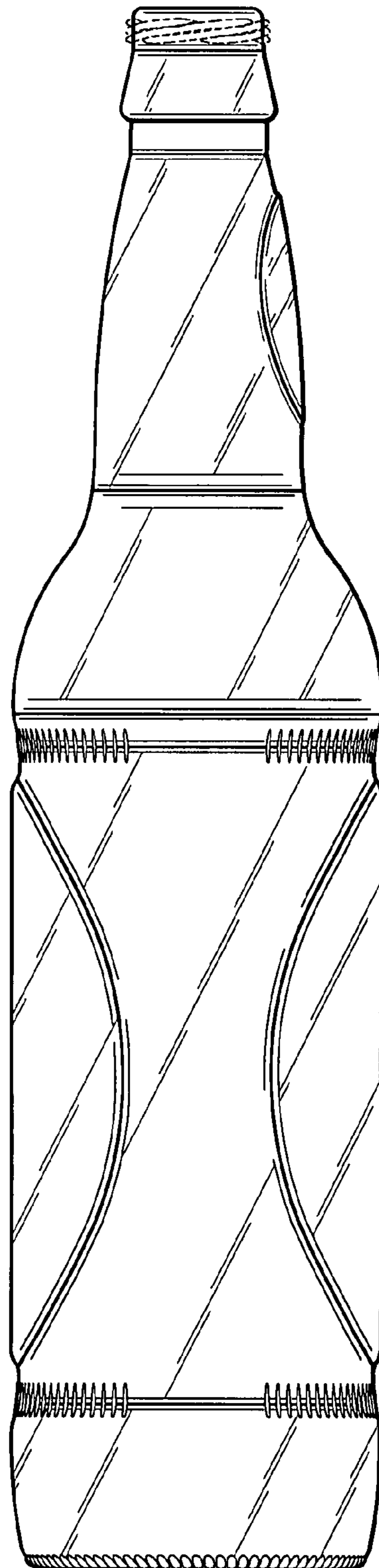


Fig. 5



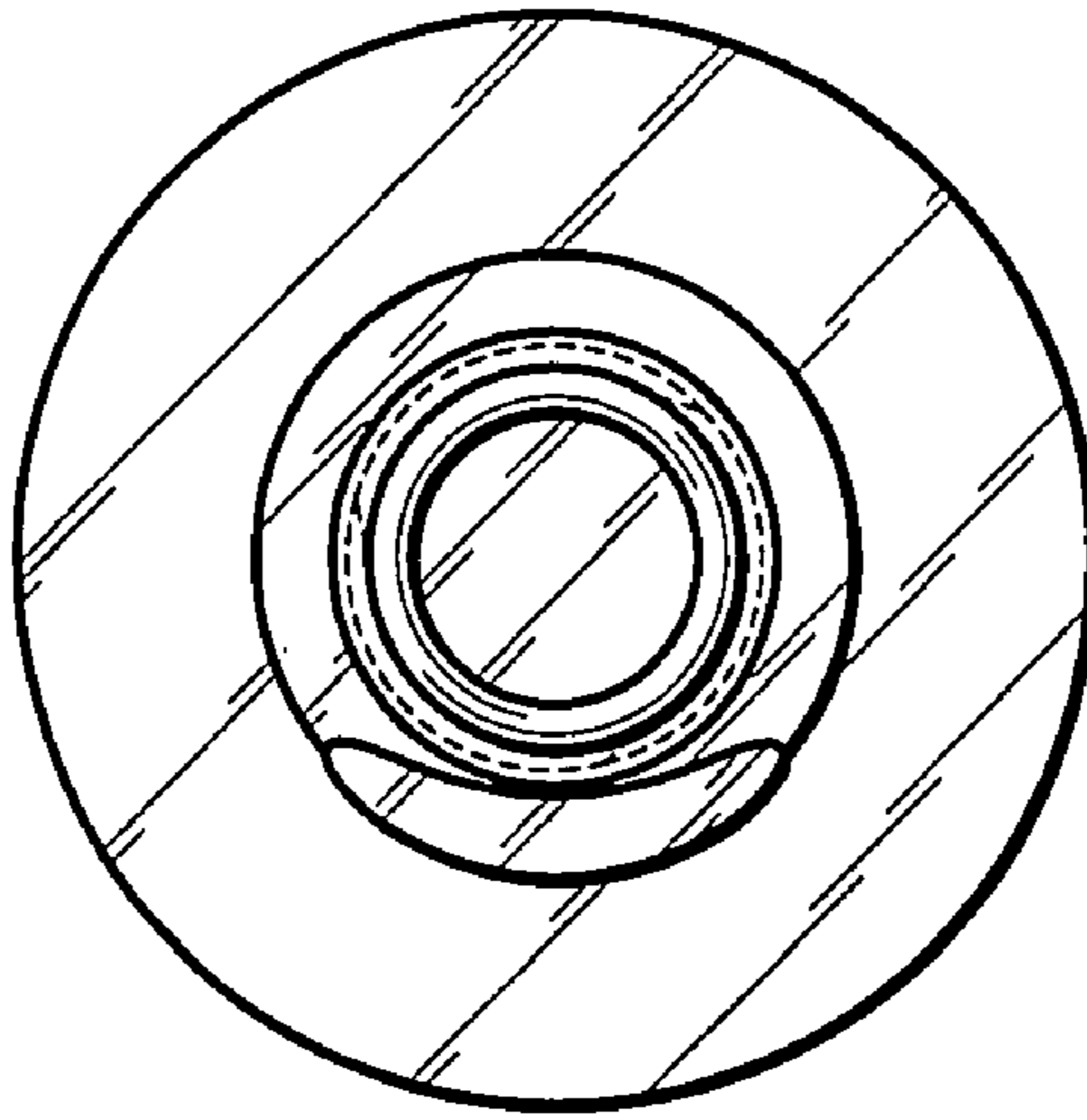


Fig. 6

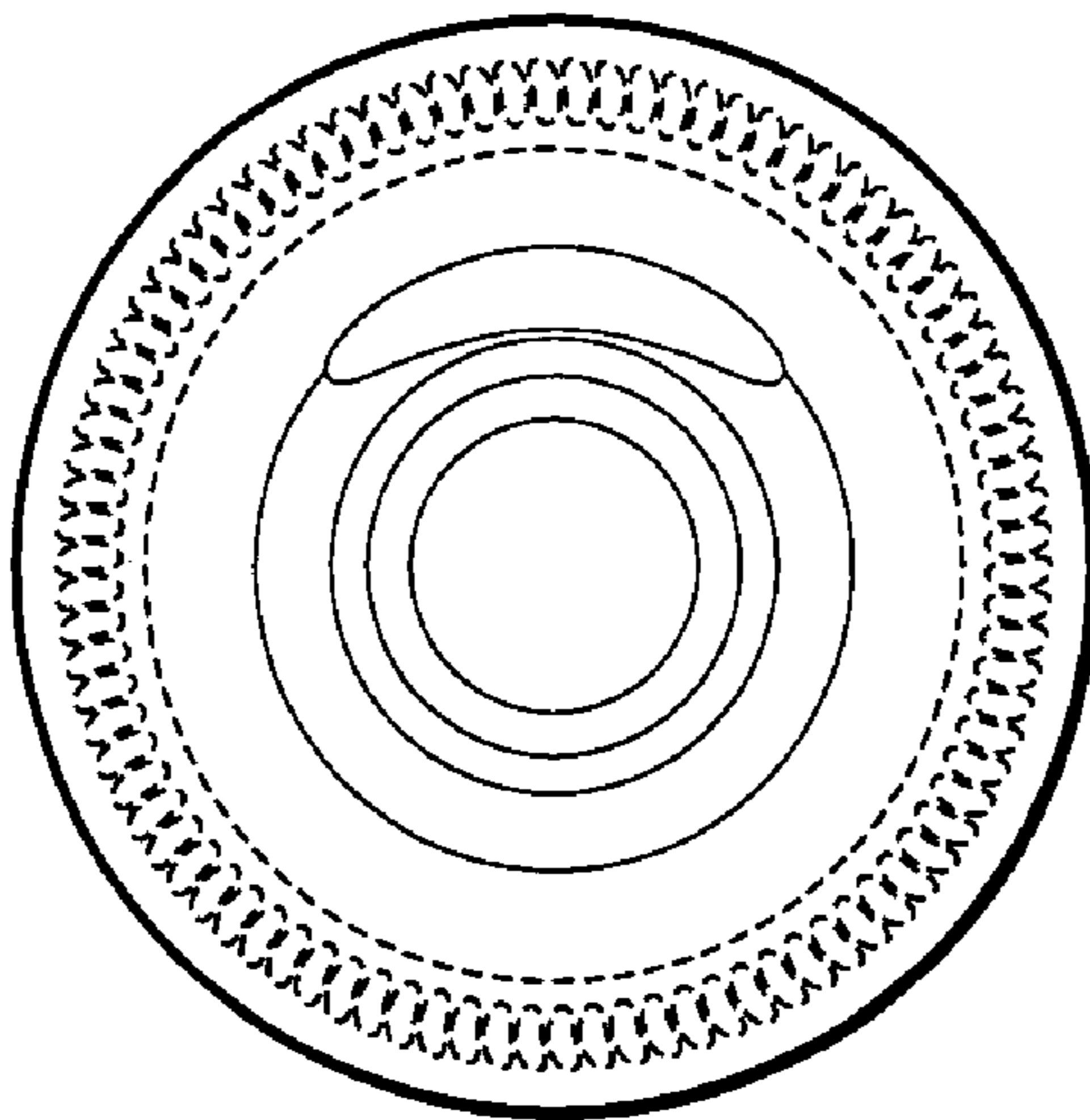


Fig. 7