



US00D555493S

(12) **United States Design Patent**
Lockman et al.

(10) **Patent No.:** **US D555,493 S**

(45) **Date of Patent:** **** Nov. 20, 2007**

(54) **BOTTLE**

(75) Inventors: **Corey Douglas Lockman**, West
Harrison, NY (US); **Pete Mackinson**,
Wyckoff, NJ (US); **John Cieslak**,
Mahwah, NJ (US); **Piaras deCleir**,
Tarrytown, NY (US); **Niketa Mohler**,
Ossining, NY (US)

(73) Assignee: **Kraft Foods Holdings, Inc.**, Northfield,
IL (US)

(**) Term: **14 Years**

(21) Appl. No.: **29/245,539**

(22) Filed: **Dec. 22, 2005**

(51) **LOC (8) Cl.** **09-01**

(52) **U.S. Cl.** **D9/550; D9/551; D9/552;**
D9/558

(58) **Field of Classification Search** D9/600,
D9/640, 649, 667-668, 670, 681, 772-776,
D9/779-780, 516, 520, 537-540, 545-547,
D9/549, 551-554, 556-558, 564-567, 569;
D7/509-510; 215/382-384, 396, 398
See application file for complete search history.

(56) **References Cited**

U.S. PATENT DOCUMENTS

D100,342 S * 7/1936 Steuernagle D9/552
D222,125 S * 10/1971 Roberts D9/556

D227,556 S * 7/1973 Bagguley et al. D9/776
D380,671 S * 7/1997 Young D9/538
5,704,504 A * 1/1998 Bueno 215/382 X
D390,114 S * 2/1998 Young D9/520
D409,919 S * 5/1999 Young D9/520
D426,163 S * 6/2000 Safadi et al. D9/538
D441,658 S * 5/2001 Lichtman et al. D9/538
D449,533 S * 10/2001 Helps et al. D9/557 X
D465,385 S * 11/2002 Miller D7/523
6,666,001 B2 * 12/2003 Mero 215/381 X
D522,871 S * 6/2006 Rowse et al. D9/539
D534,079 S * 12/2006 Livingston D9/516

* cited by examiner

Primary Examiner—Carol Rademaker

(74) *Attorney, Agent, or Firm*—Kraft Foods Inc.; Thomas A.
Marcoux

(57) **CLAIM**

The ornamental design for a bottle, as shown.

DESCRIPTION

FIG. 1 is a top front perspective view of a bottle according
to our new design;

FIG. 2 is a front elevational view thereof;

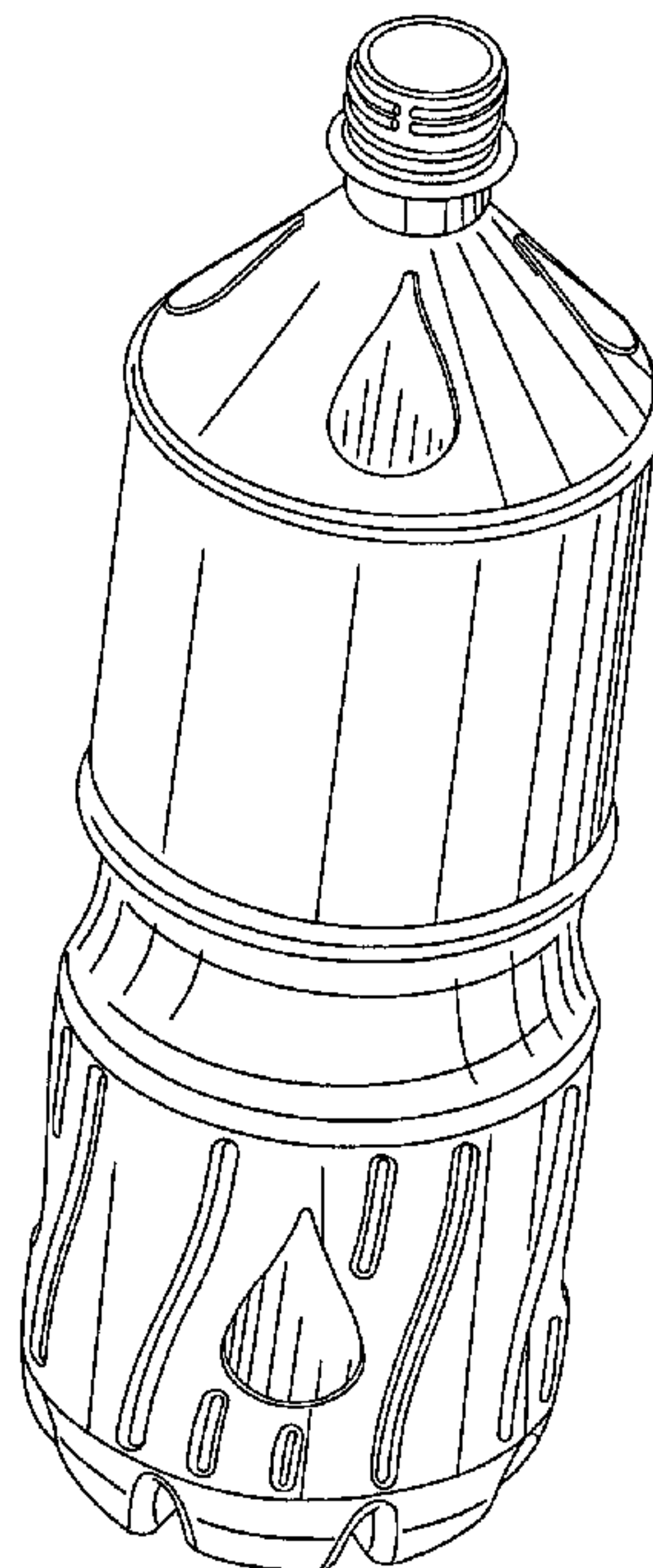
FIG. 3 is a rear elevational view thereof;

FIG. 4 is a right side elevational view thereof;

FIG. 5 is a left side elevational view thereof; and,

FIG. 6 is a top plan view thereof.

1 Claim, 6 Drawing Sheets



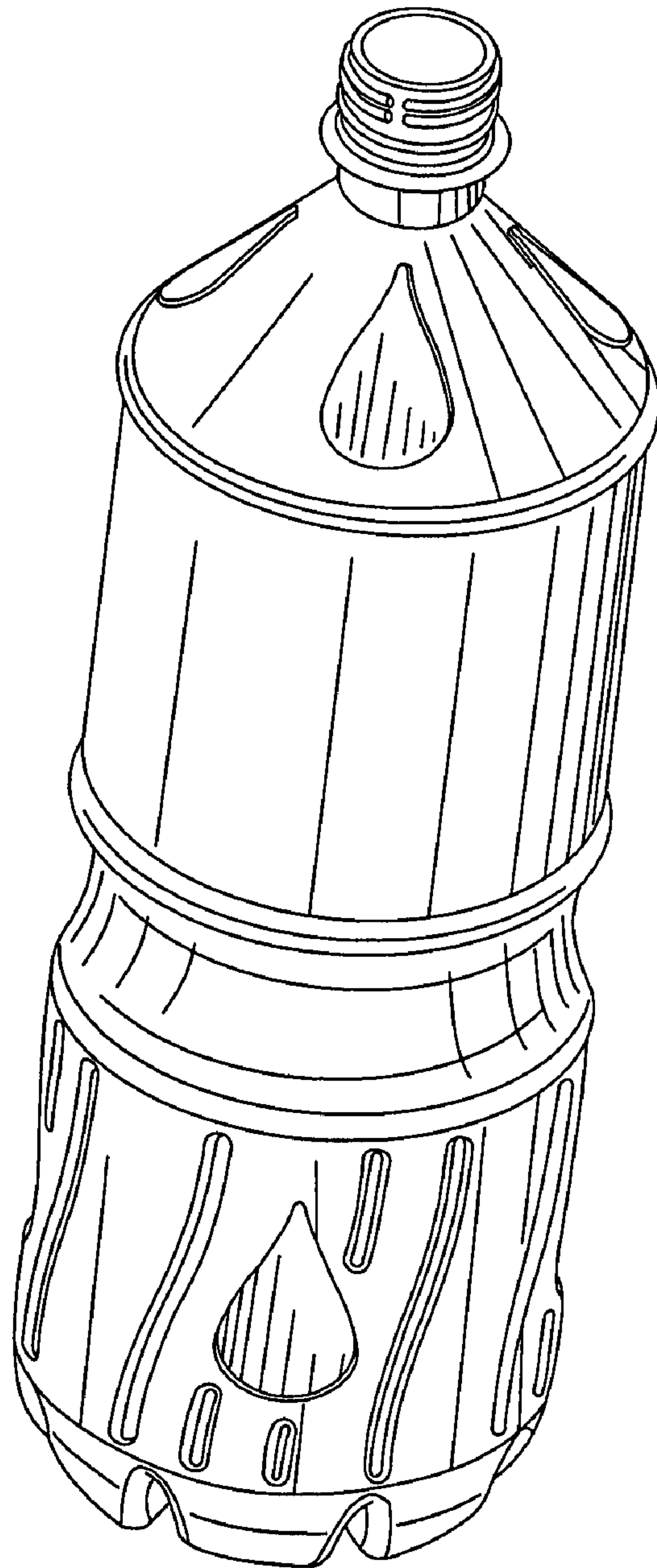


Fig. 1

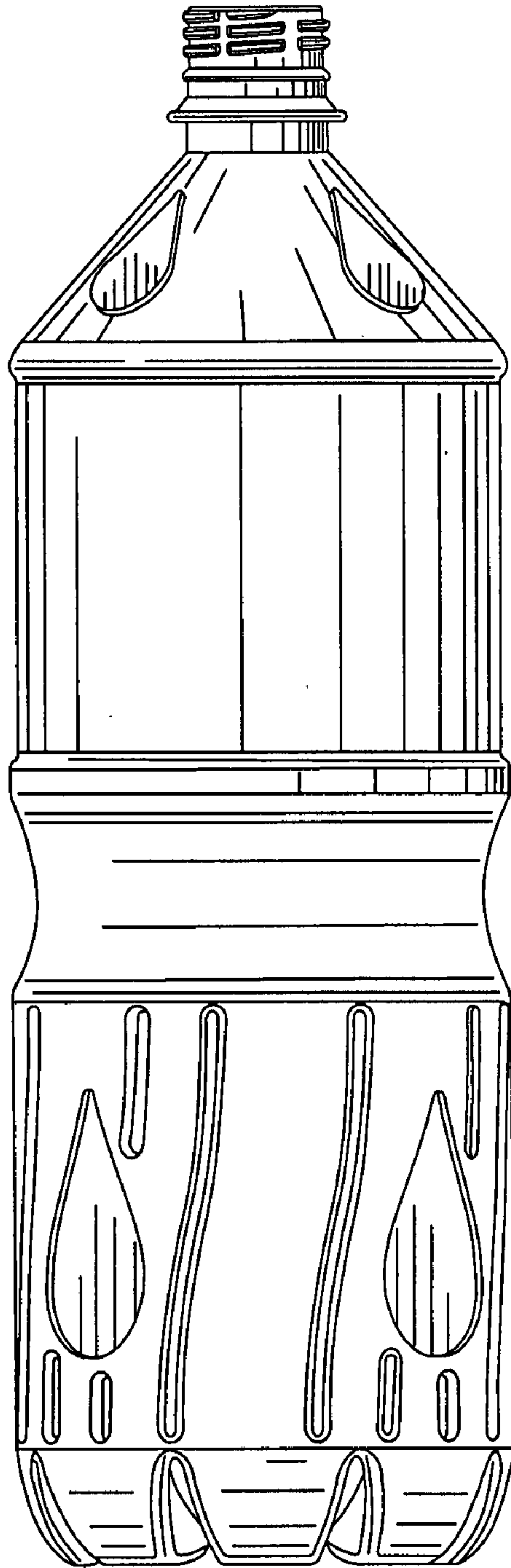


Fig. 2

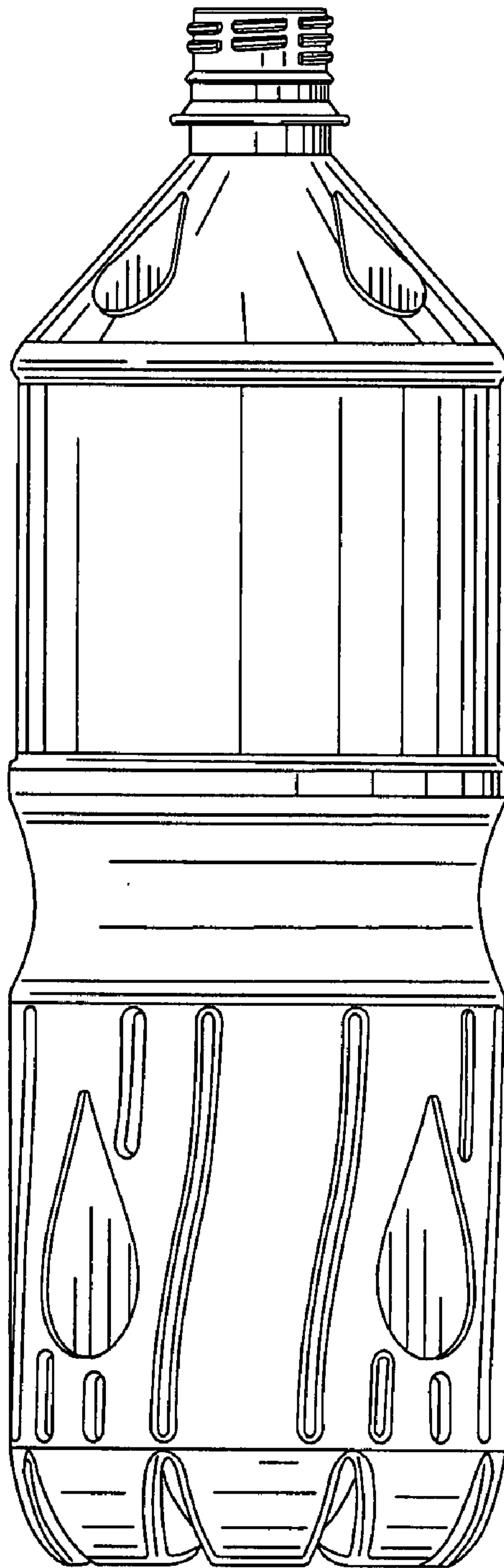


Fig. 3

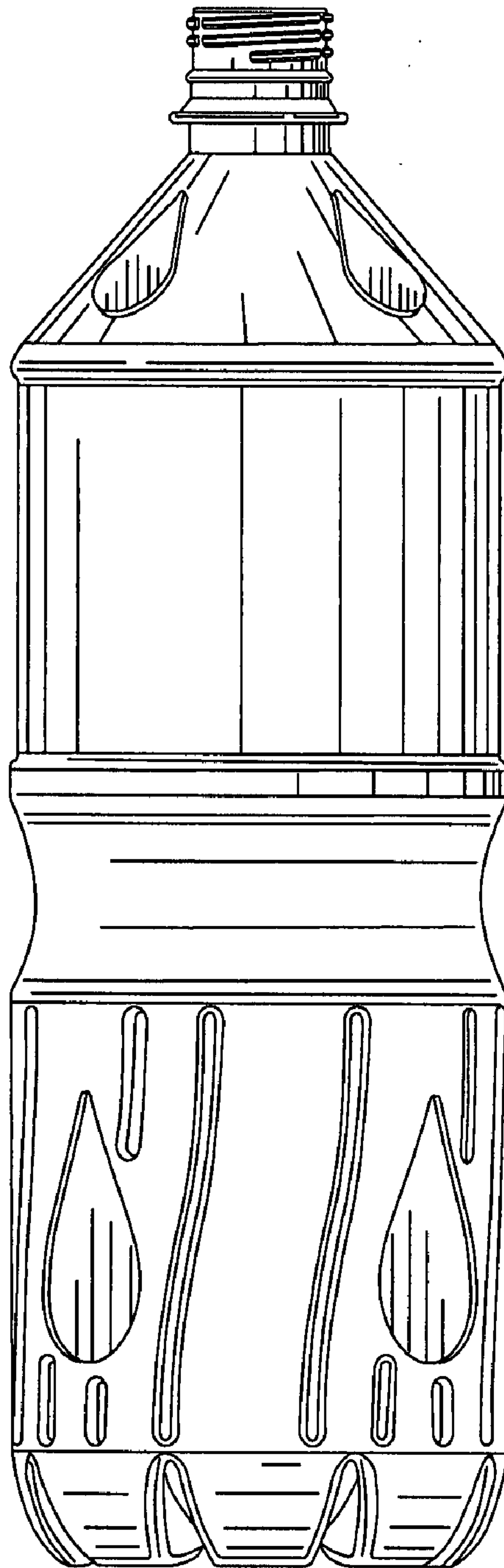


Fig. 4

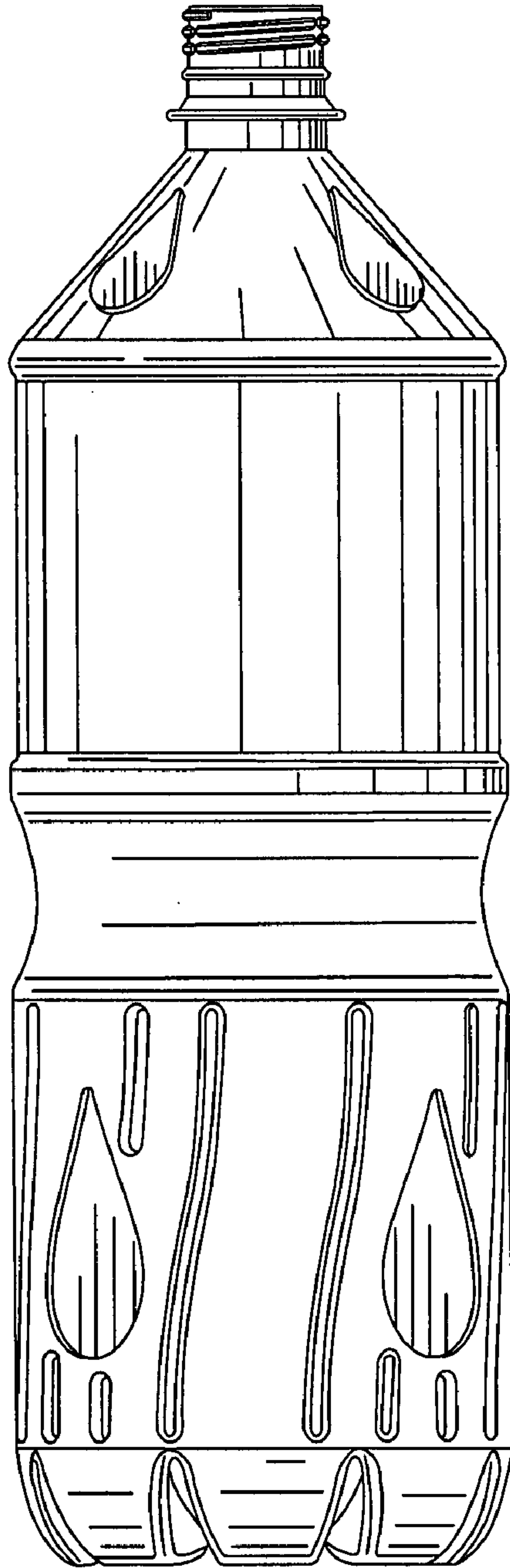


Fig. 5

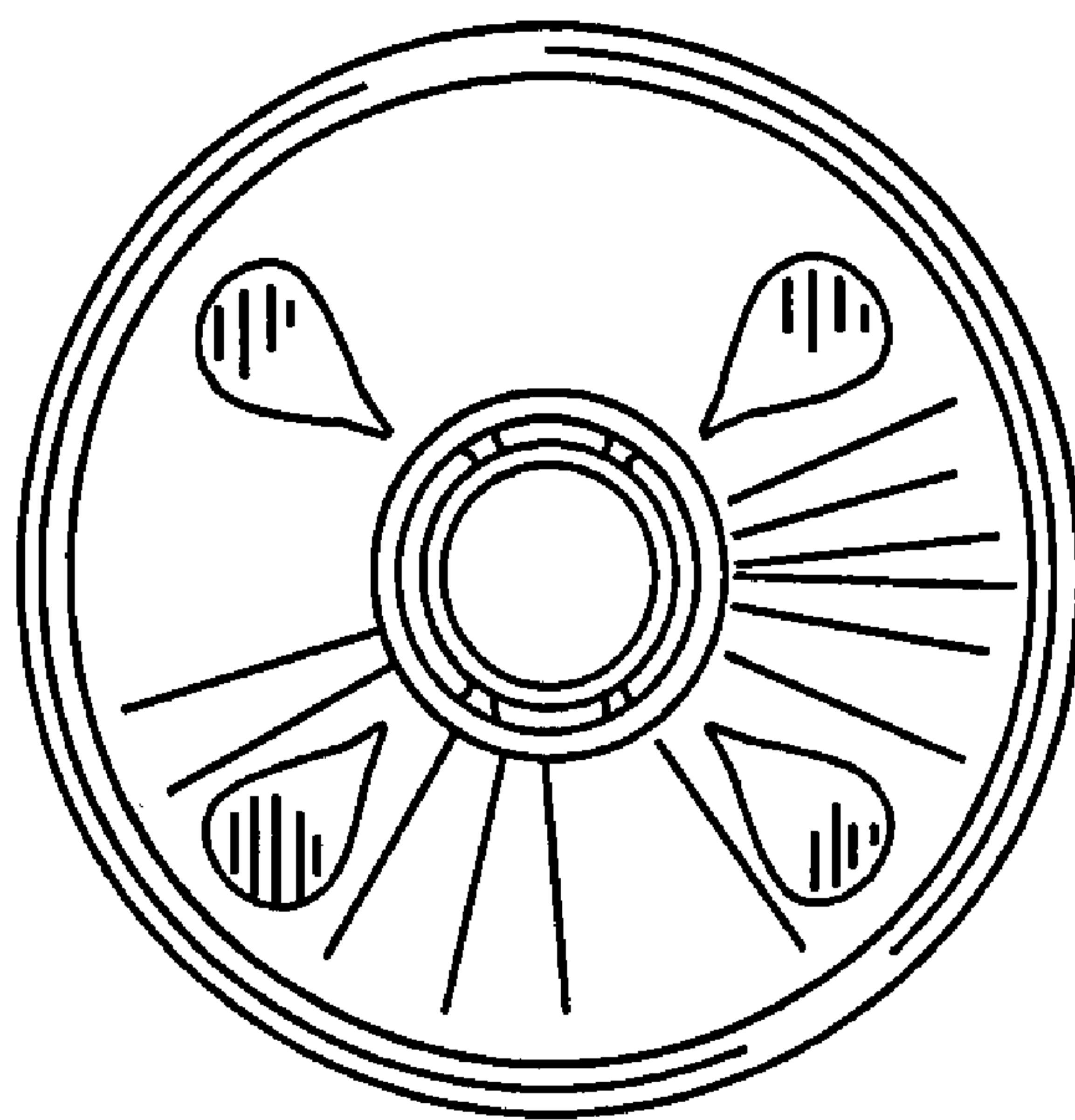


Fig. 6