



US00D555489S

(12) **United States Design Patent**
Corrado

(10) **Patent No.:** **US D555,489 S**

(45) **Date of Patent:** **** Nov. 20, 2007**

(54) **GRADUATED BOTTLE FOR LIQUID**

(75) **Inventor:** **Costantino Corrado**, Piobesi d'Alba (IT)

(73) **Assignee:** **Distilleria Sibona S.p.A.**, Piobesi d'Alba (CN) (IT)

(**) **Term:** **14 Years**

(21) **Appl. No.:** **29/261,754**

(22) **Filed:** **Jun. 20, 2006**

(30) **Foreign Application Priority Data**

Dec. 21, 2005 (EM) 000450929

(51) **LOC (8) Cl.** **09-01**

(52) **U.S. Cl.** **D9/547; D9/549**

(58) **Field of Classification Search** D9/537, D9/540, 544, 545, 547, 549, 551, 552, 556, D9/557, 558, 564, 569, 570, 572, 575; 215/381-385
See application file for complete search history.

(56) **References Cited**

U.S. PATENT DOCUMENTS

- D18,390 S * 6/1888 Garton D9/544
- D38,835 S * 9/1907 Ohear D9/544
- D39,476 S * 9/1908 Bagby D9/522
- D43,782 S * 4/1913 Schofield D9/520
- D45,826 S * 5/1914 Wheaton D9/522

- D104,574 S * 5/1937 Nester D9/544
- D249,958 S * 10/1978 Meierhoefer D24/117
- D282,050 S * 1/1986 Beaver et al. D9/547
- 5,330,081 A * 7/1994 Davenport 222/207

OTHER PUBLICATIONS

Glass Containers, Owens-Illinois Glass Company, Ohio, Brookhaven Press, pp. 31,48,88,144, P12.*

* cited by examiner

Primary Examiner—Daniel Bui

Assistant Examiner—Elizabeth J Oswecki

(74) *Attorney, Agent, or Firm*—Merchant & Gould P.C.

(57) **CLAIM**

The ornamental design for a graduated bottle for liquid, as shown and described.

DESCRIPTION

FIG. 1 is a front view of a graduated bottle in accordance with my invention thereof;

FIG. 2 is a rear view thereof;

FIG. 3 is a right side view thereof;

FIG. 4 is a left side view thereof;

FIG. 5 is a top view thereof; and,

FIG. 6 is a bottom view thereof.

1 Claim, 2 Drawing Sheets

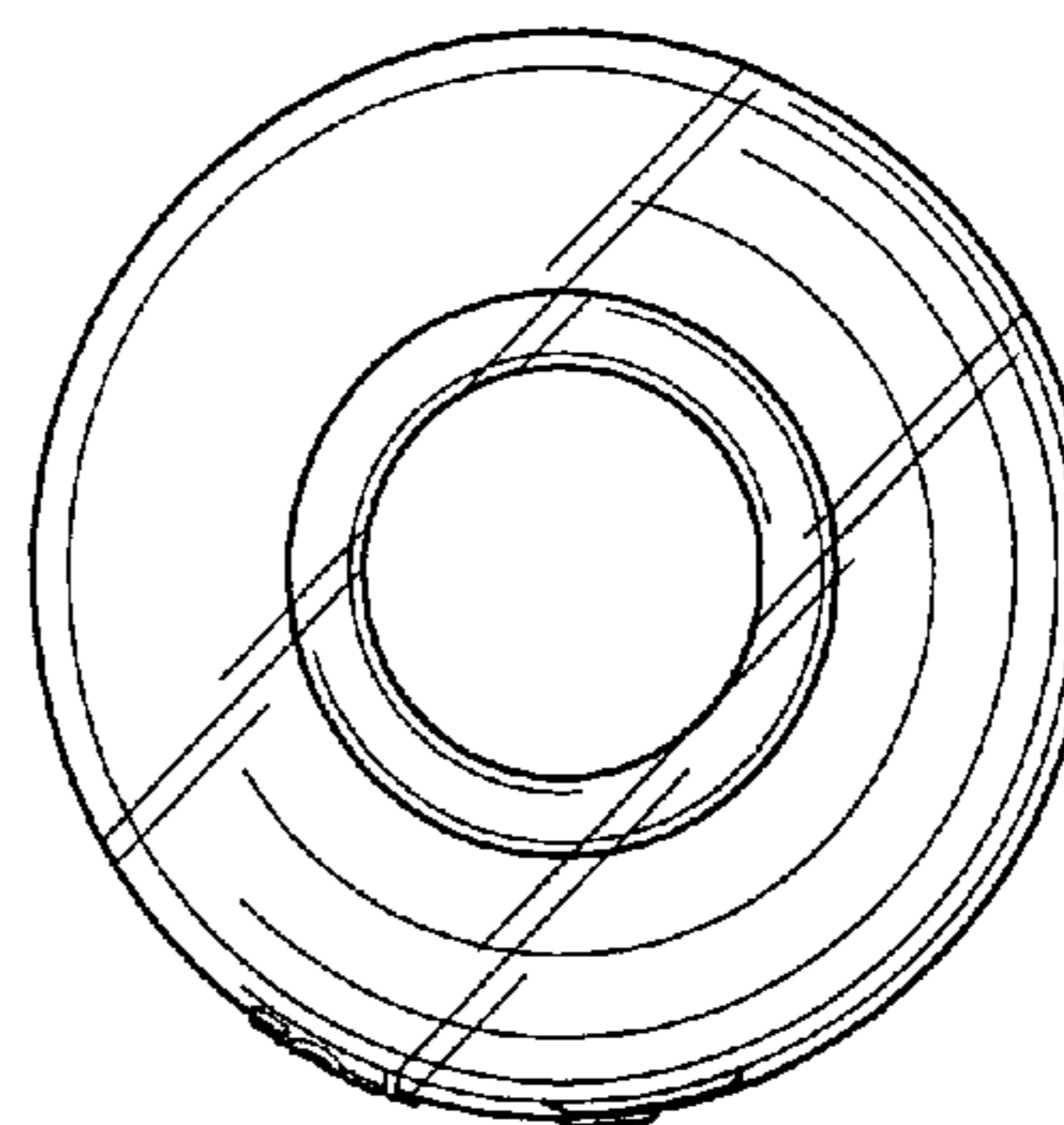
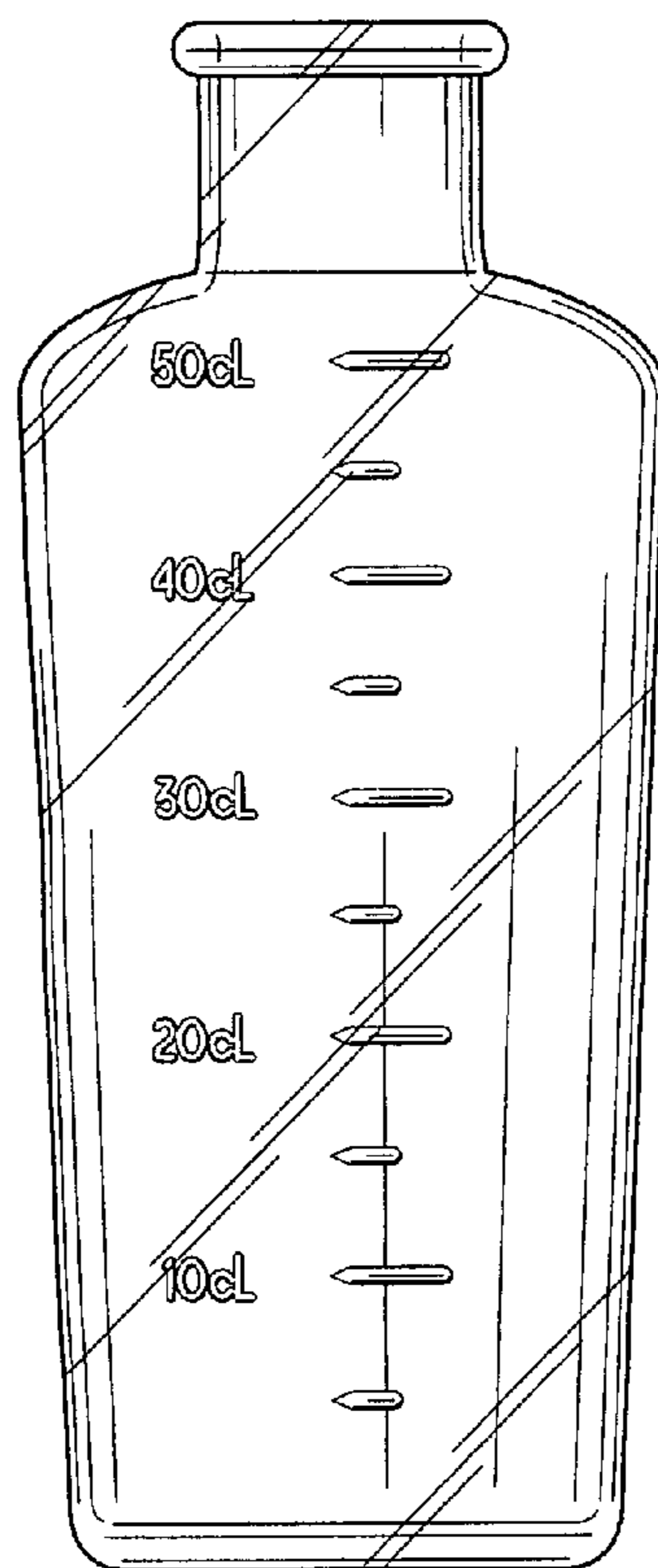


FIG. 3

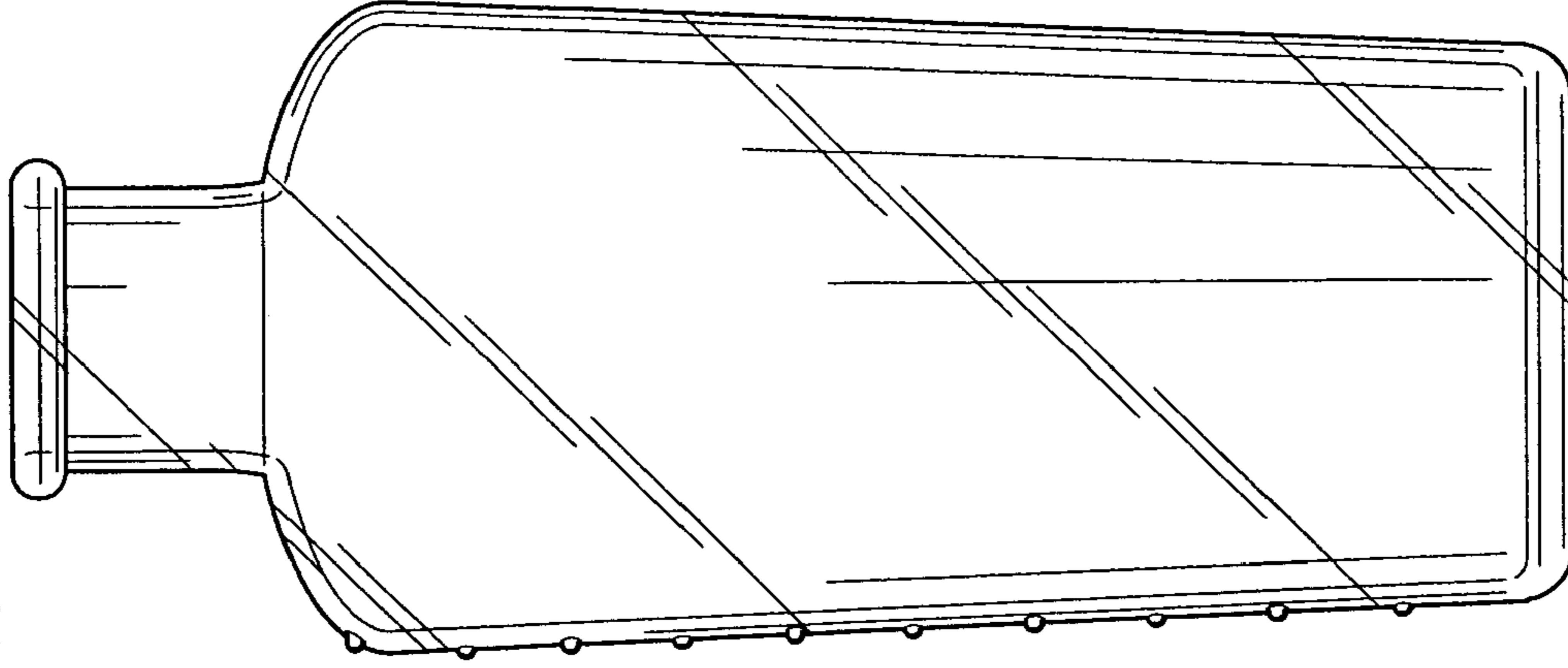


FIG. 2

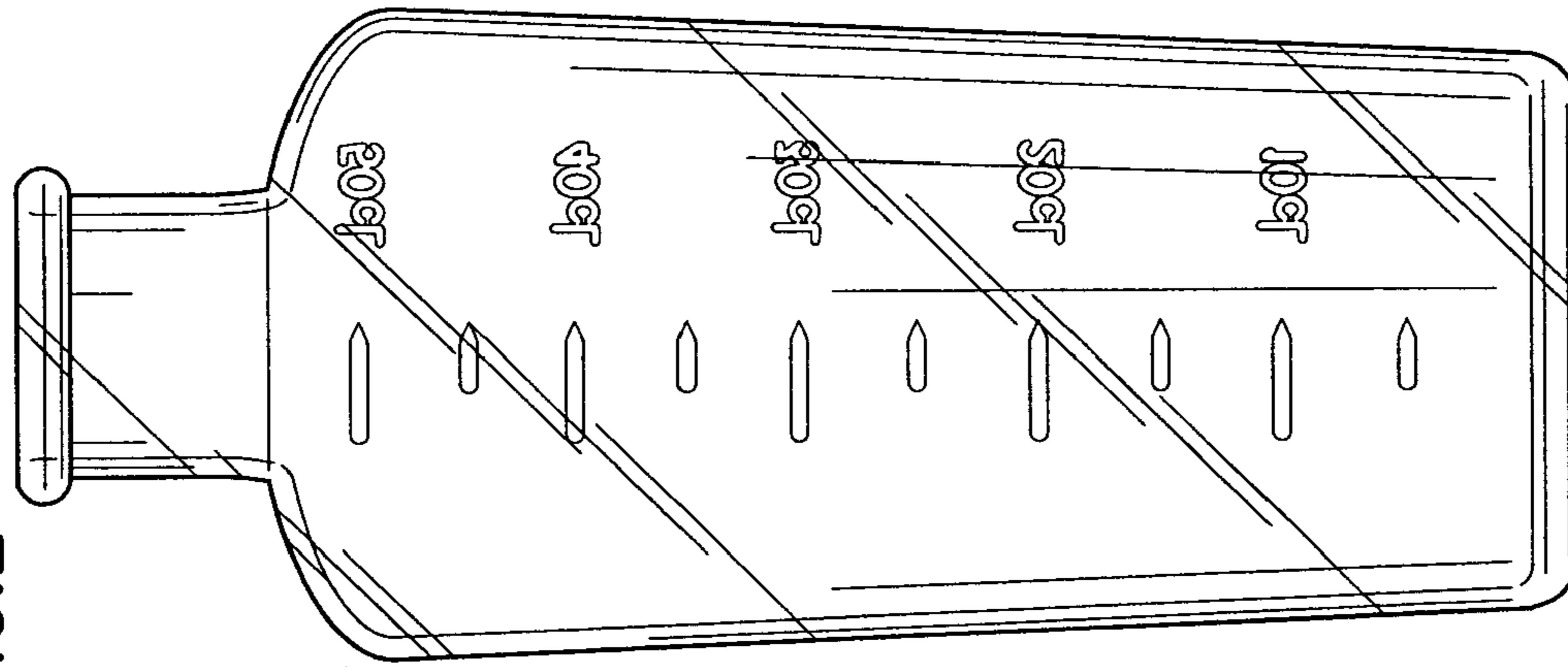


FIG. 1

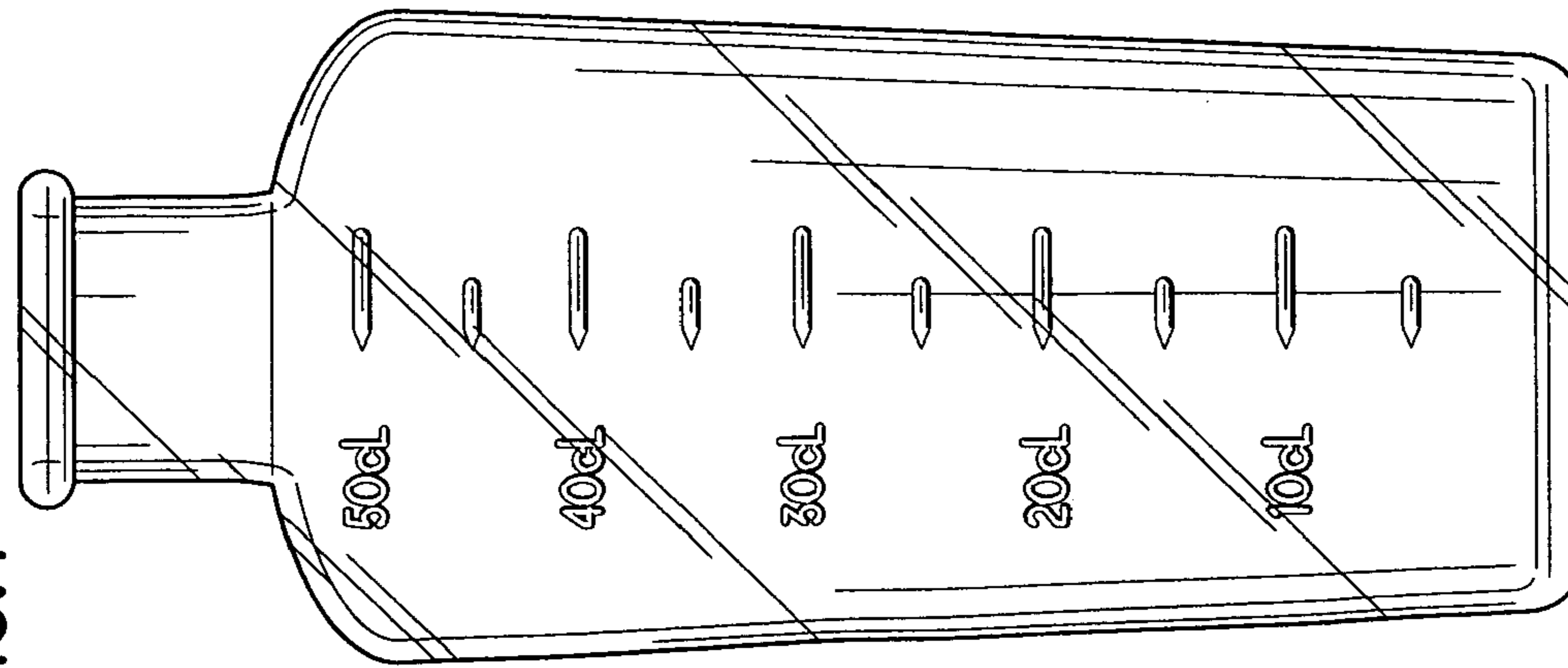


FIG.5

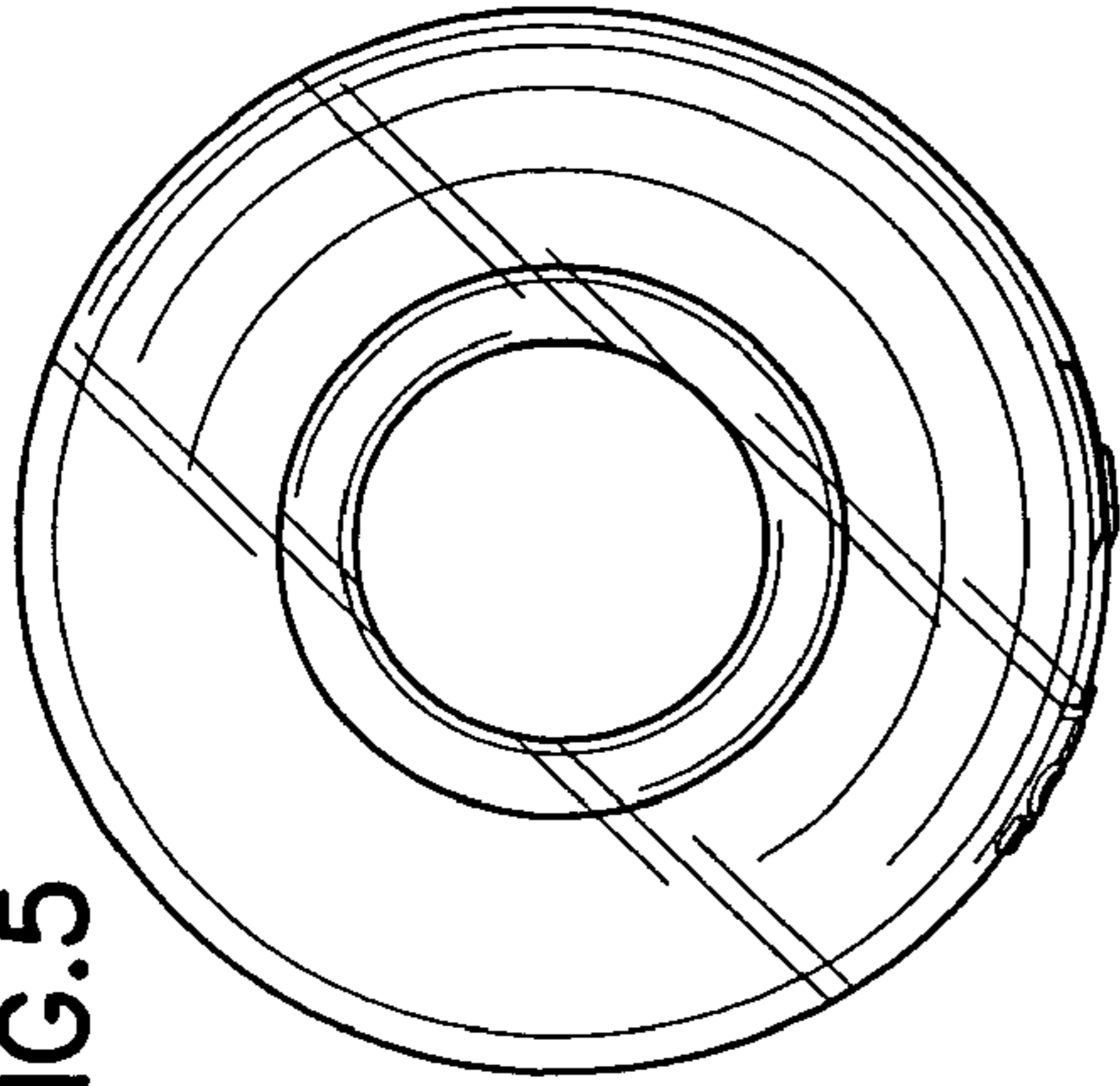


FIG.6

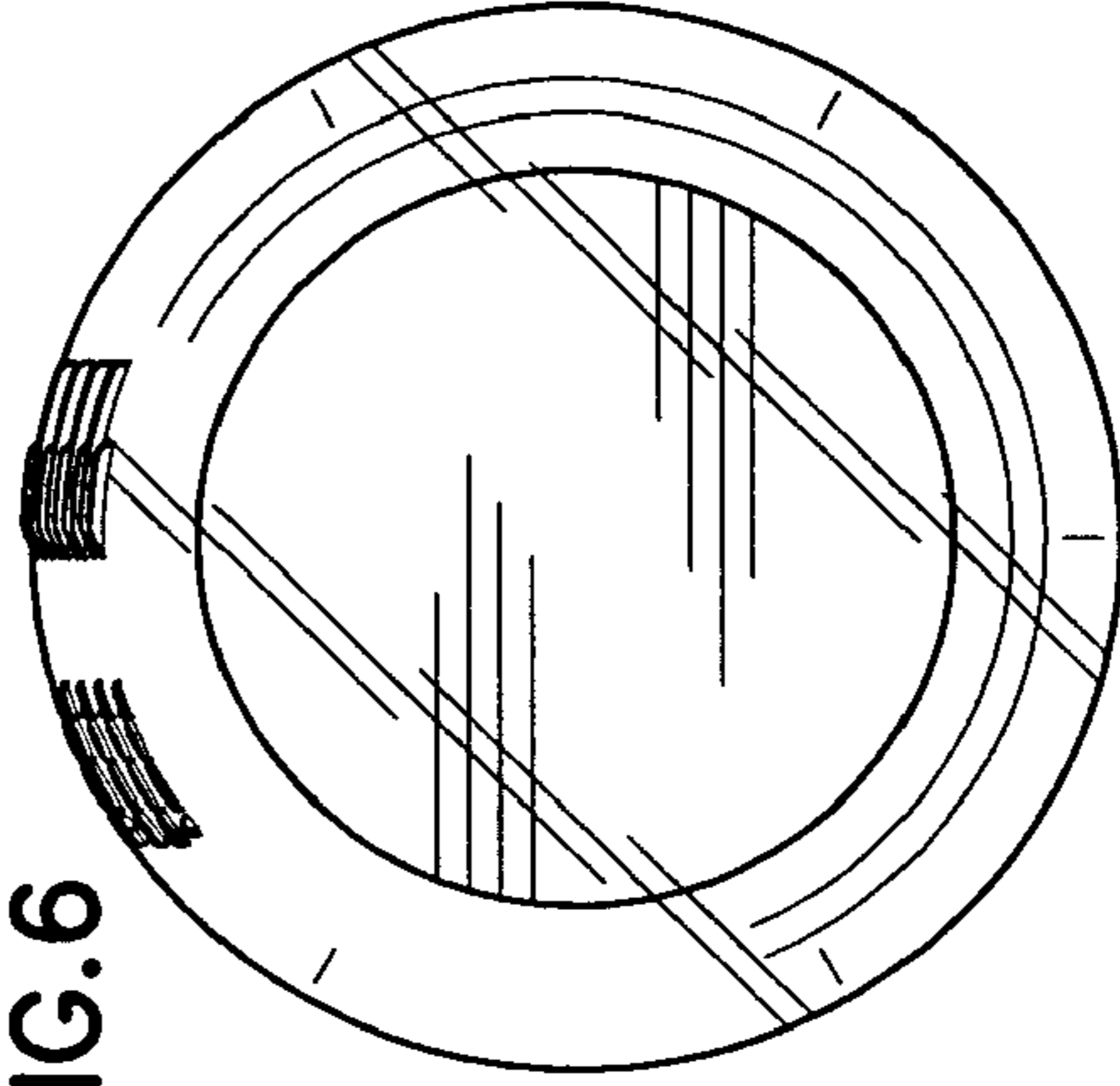


FIG.4

