



US00D555486S

(12) **United States Design Patent**
Bourne

(10) **Patent No.:** **US D555,486 S**

(45) **Date of Patent:** **** Nov. 20, 2007**

(54) **BOTTLE**

(75) Inventor: **Damien Bourne**, Le Havre Cedex (FR)

(73) Assignee: **Sidel Participations**, Octeville sur Mer (FR)

(**) Term: **14 Years**

(21) Appl. No.: **29/258,113**

(22) Filed: **Apr. 17, 2006**

(30) **Foreign Application Priority Data**

Oct. 17, 2005 (EM) 000416243

(51) **LOC (8) Cl.** **09-01**

(52) **U.S. Cl.** **D9/537; D9/520; D9/552; D9/556**

(58) **Field of Classification Search** D9/600, D9/640, 649, 667-668, 670, 681, 772-776, D9/779-780, 516, 520, 537-540, 545-547, D9/549, 551-554, 556-558, 564-567, 569; D7/509-510; 215/382-384, 396, 398
See application file for complete search history.

(56) **References Cited**

U.S. PATENT DOCUMENTS

D412,845 S * 8/1999 Miller et al. D9/537 X
D413,068 S * 8/1999 Thouin et al. D9/551
5,988,417 A * 11/1999 Cheng et al. 215/383
D425,424 S * 5/2000 Cheng et al. D9/552 X

D427,067 S * 6/2000 Miller et al. D9/551 X
D429,151 S * 8/2000 Cheng et al. D9/553 X
D445,340 S * 7/2001 de Villiers et al. D9/554
D454,503 S * 3/2002 Riddick et al. D9/554
D454,790 S * 3/2002 Crawford D9/553
D465,727 S * 11/2002 Duranthon D9/620
D466,023 S * 11/2002 Eickmeier D9/552
D534,079 S * 12/2006 Livingston D9/516
D541,665 S * 5/2007 Druart D9/600 X

* cited by examiner

Primary Examiner—Carol Rademaker

(74) *Attorney, Agent, or Firm*—Marshall, Gerstein & Borun LLP

(57) **CLAIM**

The ornamental design for a bottle, as shown.

DESCRIPTION

FIG. 1 is a top, front, and left side perspective view of the bottle of my design;

FIG. 2 is a bottom, front, and left side perspective view thereof;

FIG. 3 is a right side elevational view thereof;

FIG. 4 is a rear elevational view thereof;

FIG. 5 is a left side elevational view thereof

FIG. 6 is a top plan view thereof; and,

FIG. 7 is a bottom plan view thereof.

1 Claim, 6 Drawing Sheets



FIG. 1

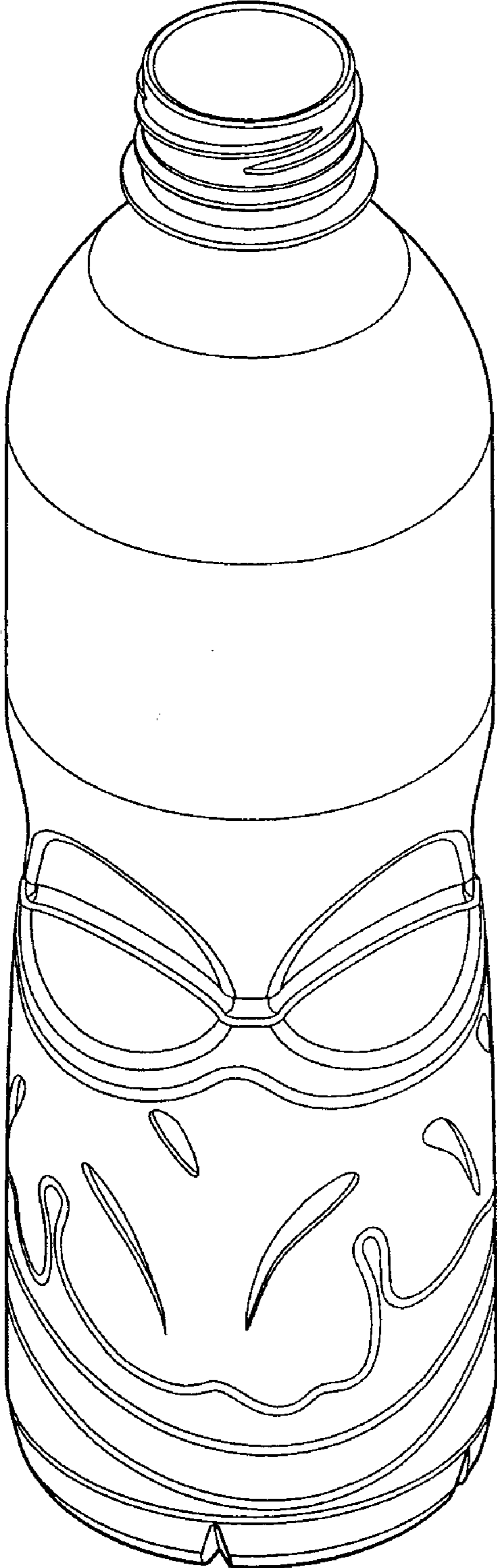


FIG. 2

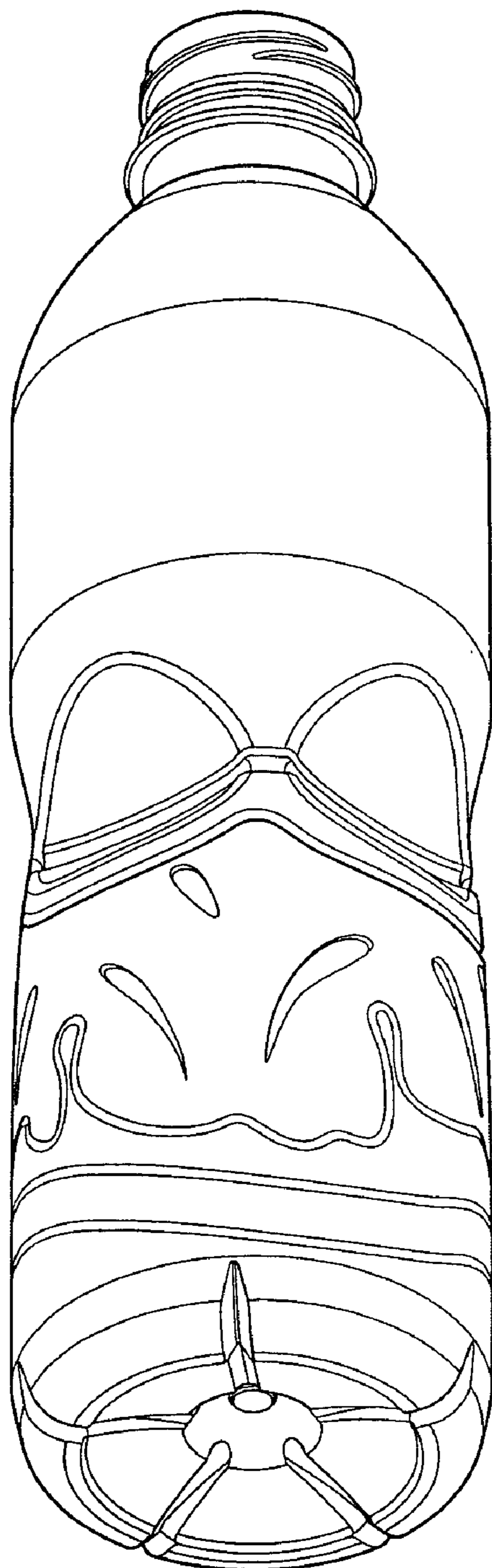


FIG. 3

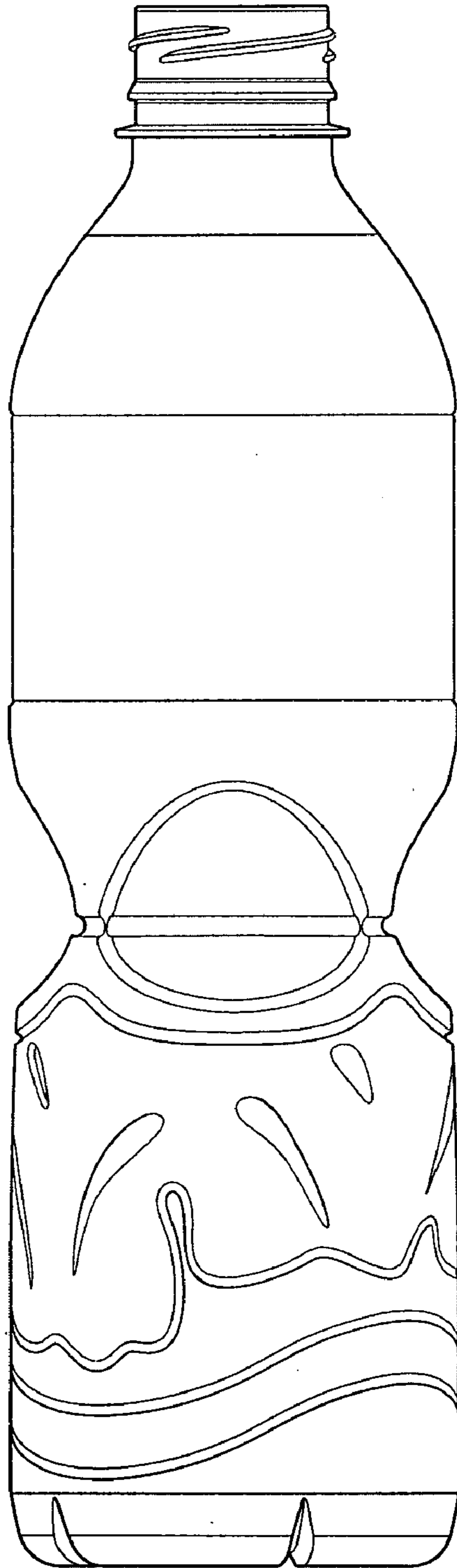


FIG. 4

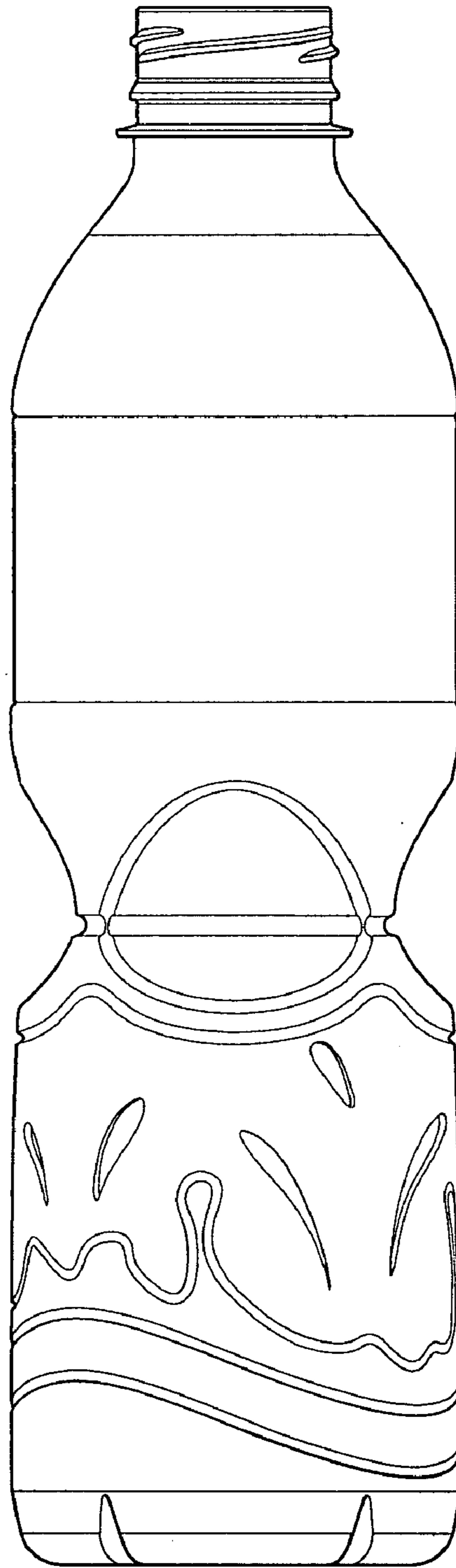


FIG. 5

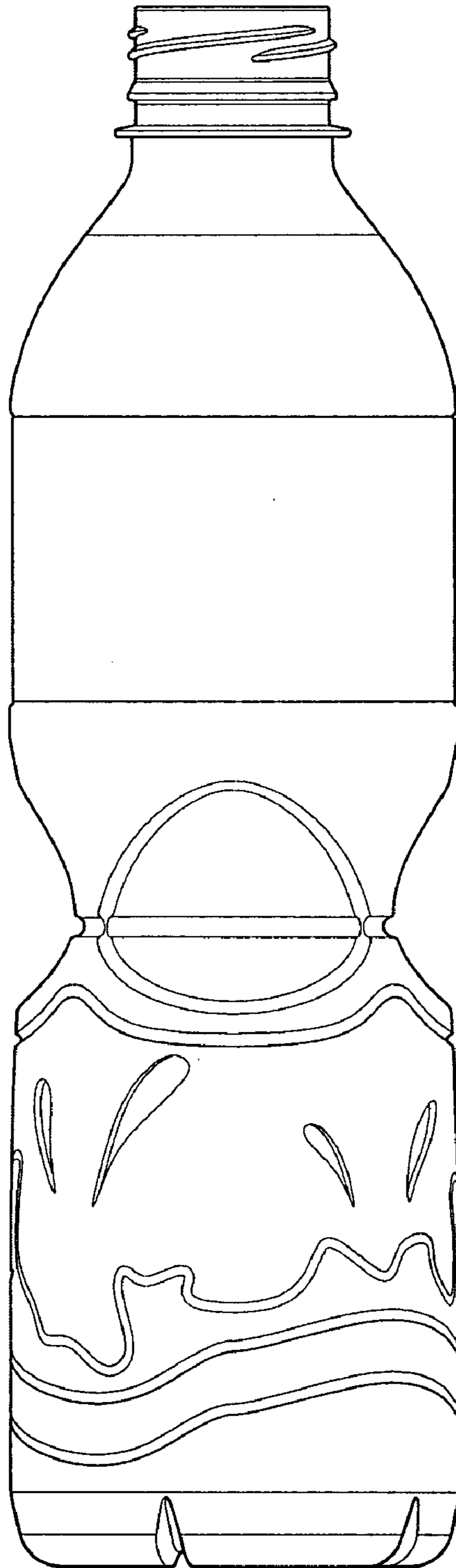


FIG. 6

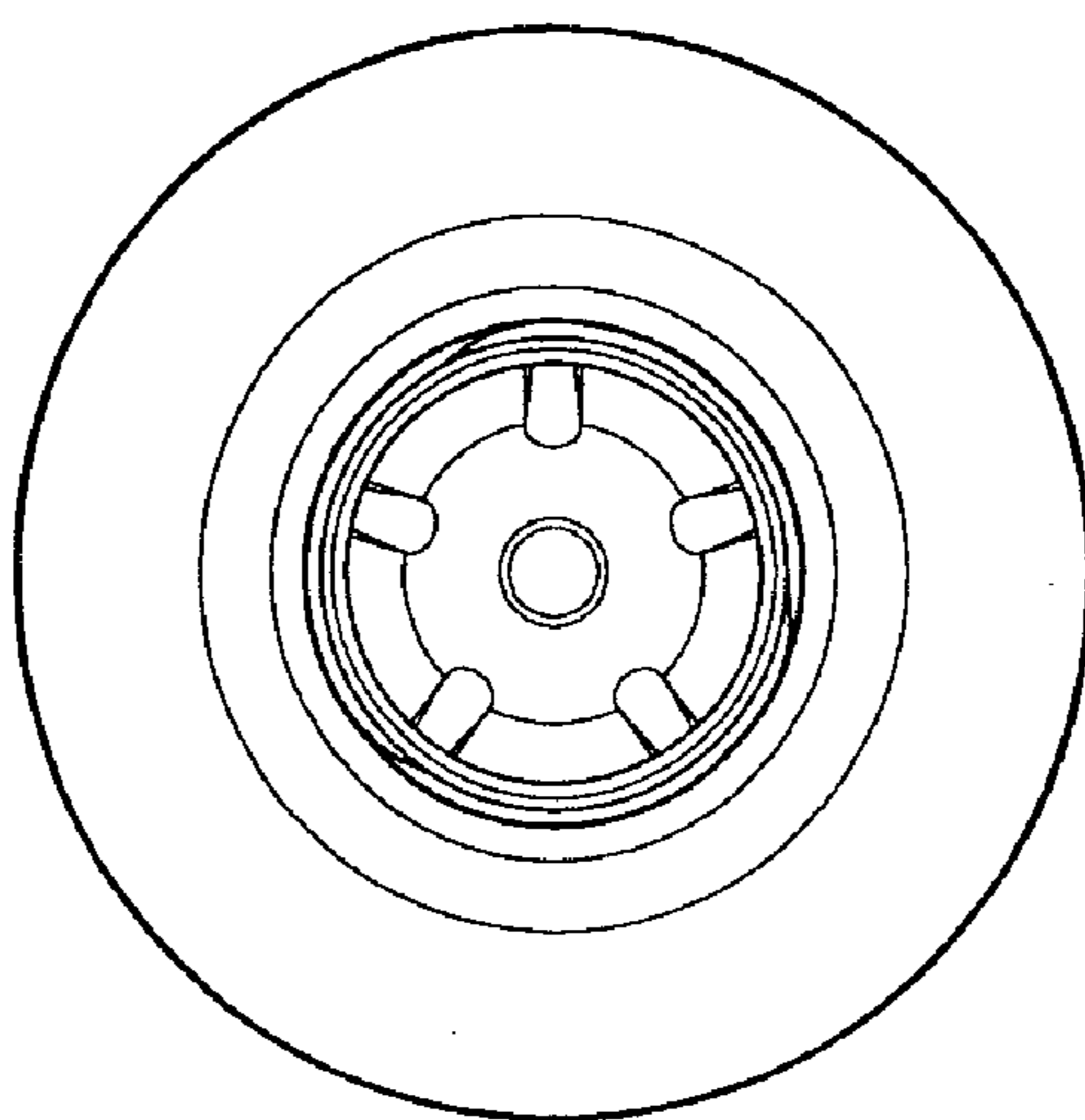


FIG. 7

