



US00D555483S

(12) **United States Design Patent**
Bezuglov

(10) **Patent No.:** **US D555,483 S**

(45) **Date of Patent:** **** Nov. 20, 2007**

(54) **BOTTLE**

(75) Inventor: **Alexander Urievich Bezuglov,**
Moscow (RU)

(73) Assignee: **Zakryitoye Aksionernoye Obschestvo**
“Region AM”, Moscow (RU)

(**) Term: **14 Years**

(21) Appl. No.: **29/208,839**

(22) Filed: **Jul. 7, 2004**

(30) **Foreign Application Priority Data**

May 6, 2004 (RU) 2004501137

(51) **LOC (8) Cl.** **09-01**

(52) **U.S. Cl.** **D9/529; D9/560; D9/566;**
D9/572; D9/452

(58) **Field of Classification Search** D9/651,
D9/516, 544, 546, 560, 566, 572–575; 215/381–385
See application file for complete search history.

(56) **References Cited**

U.S. PATENT DOCUMENTS

D9,703 S *	1/1877	Francis et al.	D9/544
D20,581 S *	3/1891	Rheinstrom	D9/546
D25,402 S *	4/1896	Nelson	D9/544
D35,443 S *	12/1901	Garrard	D9/546
D39,215 S *	3/1908	Garrett	D9/560
D41,559 S *	7/1911	Marsters	D9/560
D86,177 S *	2/1932	Nelson	D9/560
D100,424 S *	7/1936	Guerlain	D9/546

D115,343 S *	6/1939	Burgund	D9/560
D115,388 S *	6/1939	Burgund	D9/560
D196,077 S *	8/1963	Heintz	D7/300
D343,580 S *	1/1994	Reynaud	D9/560
D354,443 S *	1/1995	Granai	D9/573
D362,391 S *	9/1995	Gobe	D9/573
D465,735 S *	11/2002	Woodall	D9/560
D526,567 S *	8/2006	Dalton	D9/544
D531,515 S *	11/2006	Owens et al.	D9/566

FOREIGN PATENT DOCUMENTS

GB	1024582	*	7/1985
GB	2055159	*	7/2006

* cited by examiner

Primary Examiner—Carol Rademaker

(74) *Attorney, Agent, or Firm*—James Creighton Wray;
Clifford D. Hyra

(57) **CLAIM**

The ornamental design for a bottle, as shown and described.

DESCRIPTION

FIG. 1 is a front elevational view of bottle showing the claimed design, the rear elevational view being a mirror image except for the pattern of horizontal lines on the cap;

FIG. 2 is a right side elevational view thereof; the left side being a mirror image except for the pattern of horizontal lines on the cap;

FIG. 3 is a top plan view thereof; and,

FIG. 4 is a bottom plan view thereof.

1 Claim, 3 Drawing Sheets

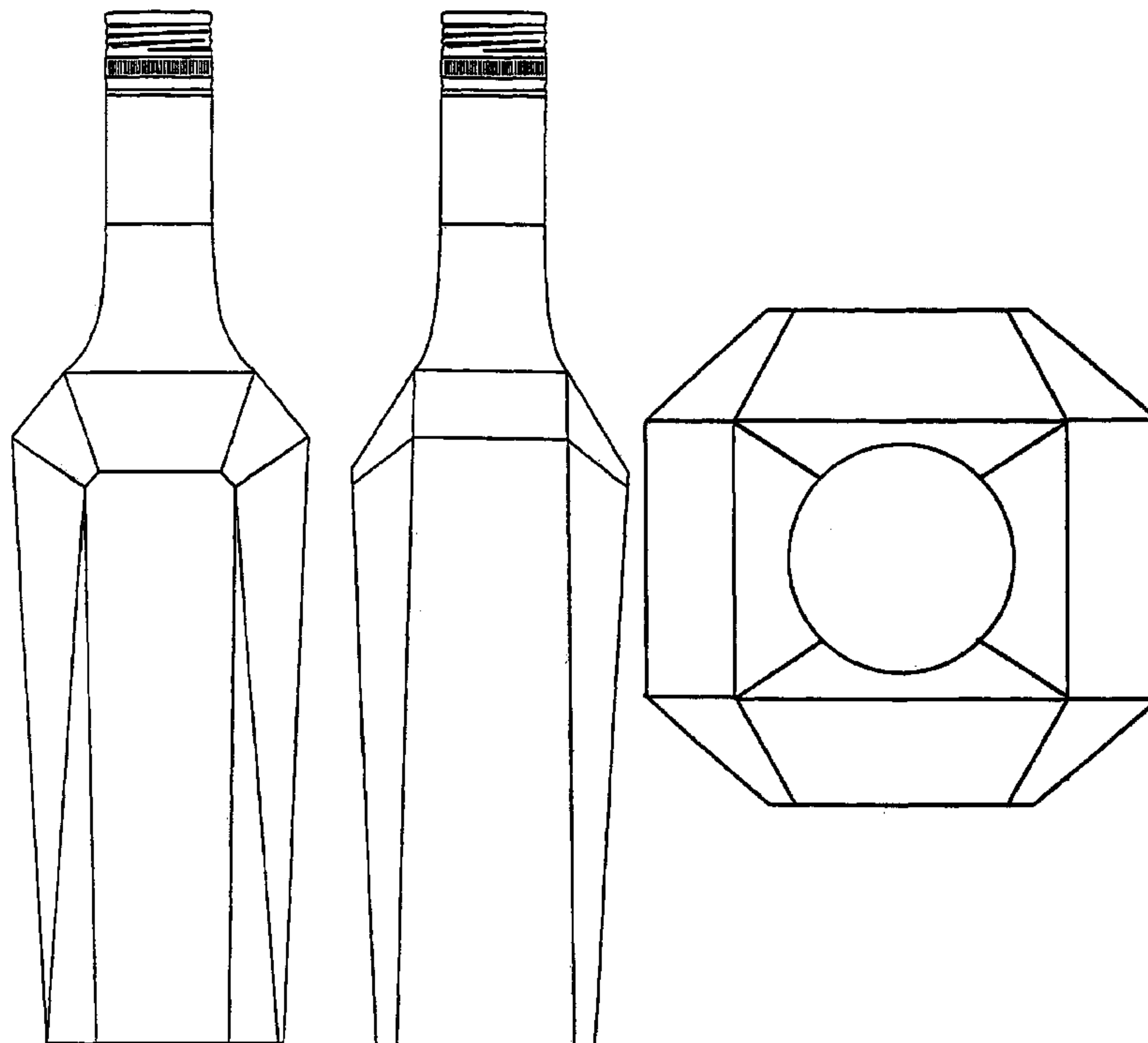


Figure 1

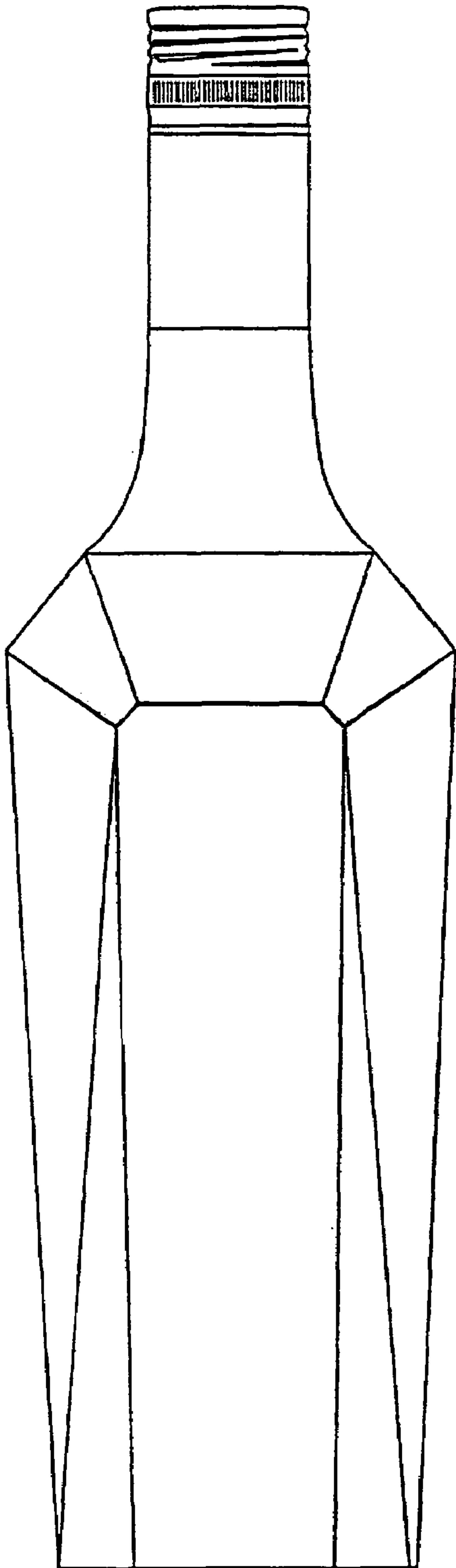


Figure 2

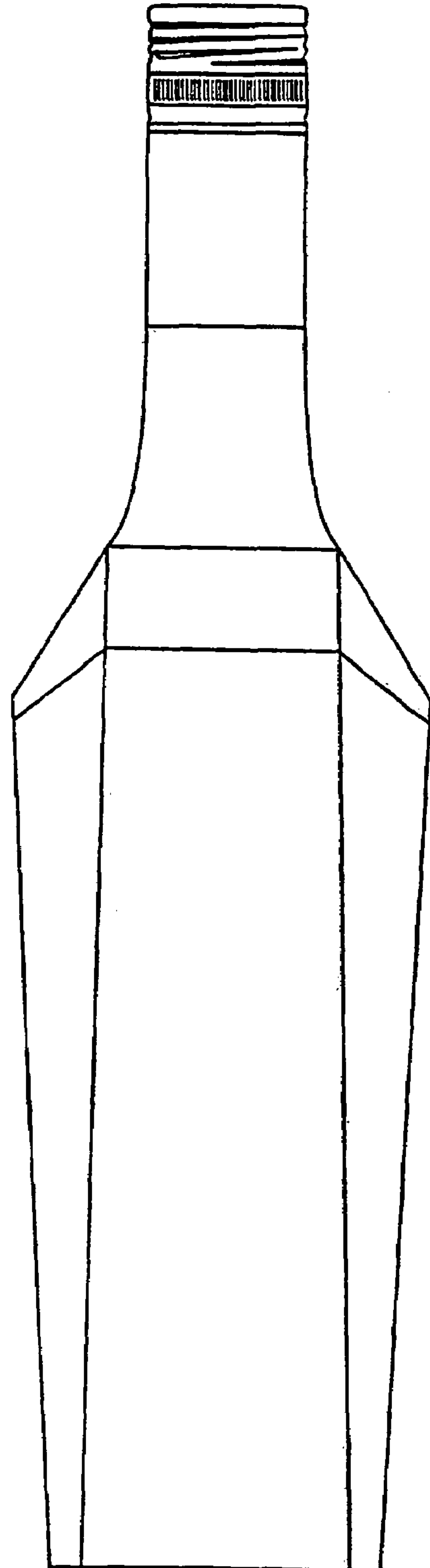


FIG. 3

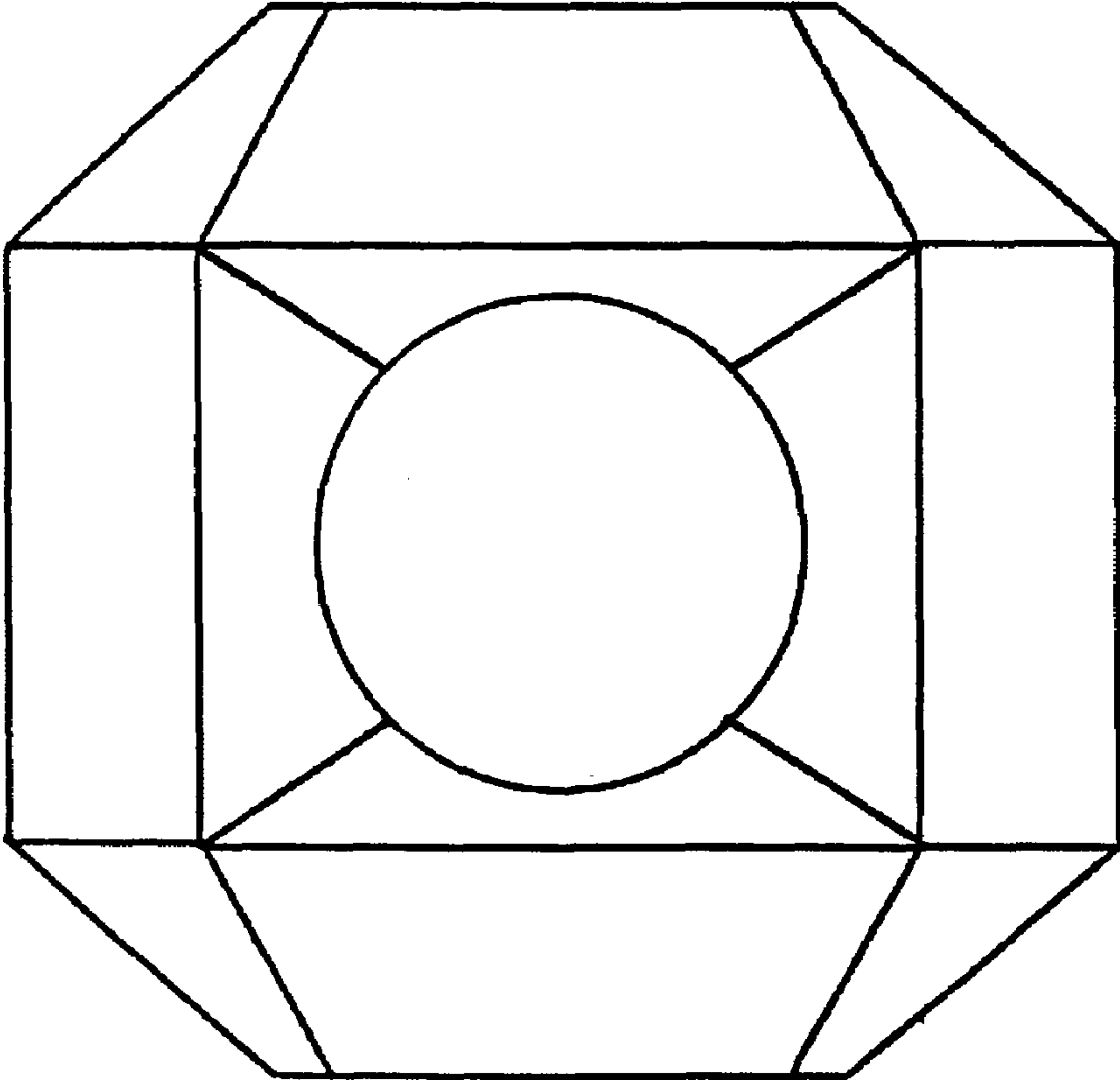


FIG. 4

