



US00D555479S

(12) **United States Design Patent** (10) **Patent No.:** **US D555,479 S**
Wilson, II et al. (45) **Date of Patent:** **** Nov. 20, 2007**

(54) **INK BOTTLE**

(75) Inventors: **James D. Wilson, II**, Collinsville, IL (US); **Charles C. Mayberry**, Harvard, IL (US)

(73) Assignee: **Videojet Technologies, Inc.**, Wood Dale, IL (US)

(**) Term: **14 Years**

(21) Appl. No.: **29/271,102**

(22) Filed: **Jan. 10, 2007**

Related U.S. Application Data

(62) Division of application No. 29/207,871, filed on Jun. 17, 2004, now Pat. No. Des. 544,797.

(51) **LOC (8) Cl.** **09-01**

(52) **U.S. Cl.** **D9/516**; D9/434; D9/443

(58) **Field of Classification Search** D9/516, D9/517, 520, 521, 523, 526, 528, 545; D6/545; D7/313; D24/122

See application file for complete search history.

(56) **References Cited**

U.S. PATENT DOCUMENTS

2,625,292	A *	1/1953	Spender	220/835
D192,190	S *	2/1962	Wheeler	D9/526
D342,176	S *	12/1993	Steiner et al.	D6/545
D354,414	S *	1/1995	Westgerdes	D7/313
D360,943	S *	8/1995	Lafond	D24/122
D485,189	S *	1/2004	Montalbano et al.	D9/528
D493,724	S *	8/2004	Higuchi	D9/683
D515,931	S *	2/2006	Lintermans et al.	D9/524

* cited by examiner

Primary Examiner—Stella Reid
Assistant Examiner—Elizabeth J. Oswecki

(74) *Attorney, Agent, or Firm*—McAndrews, Held & Malloy Ltd.

(57) **CLAIM**

The ornamental design for the ink bottle, as shown and described.

DESCRIPTION

FIG. 1 illustrates an isometric view of a locating feature of the ink bottle, according to an embodiment of the present invention.

FIG. 2 illustrates a front view of the locating feature of the ink bottle.

FIG. 3 illustrates a rear view of the locating feature of the ink bottle.

FIG. 4 illustrates a first lateral view of the locating feature of the ink bottle.

FIG. 5 illustrates a second lateral view of the locating feature of the ink bottle.

FIG. 6 illustrates a top plan view of the locating feature of the ink bottle; and,

FIG. 7 illustrates a bottom plan view of the locating feature of the ink bottle.

While an ink bottle is shown, it is to be noted that the features shown and described may be positioned on opposite sides of the ink bottle.

The broken line showing of a locating feature of the ink bottle is included for the purpose of illustrating only and forms no part of the claimed design.

Any broken lines shown in the drawings are included for illustrative purposes only and form no part of the claimed design.

1 Claim, 3 Drawing Sheets

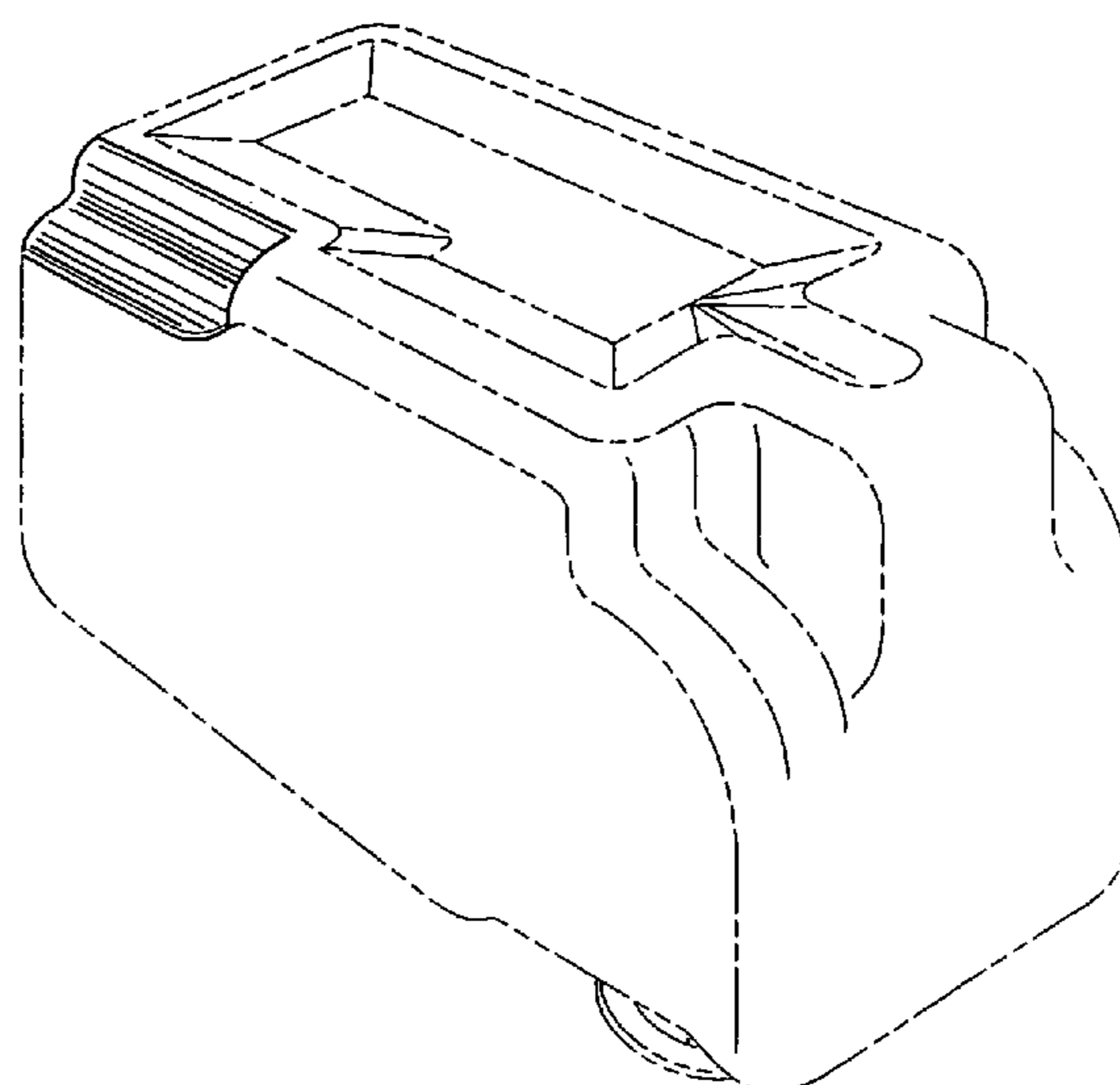


Fig. 1

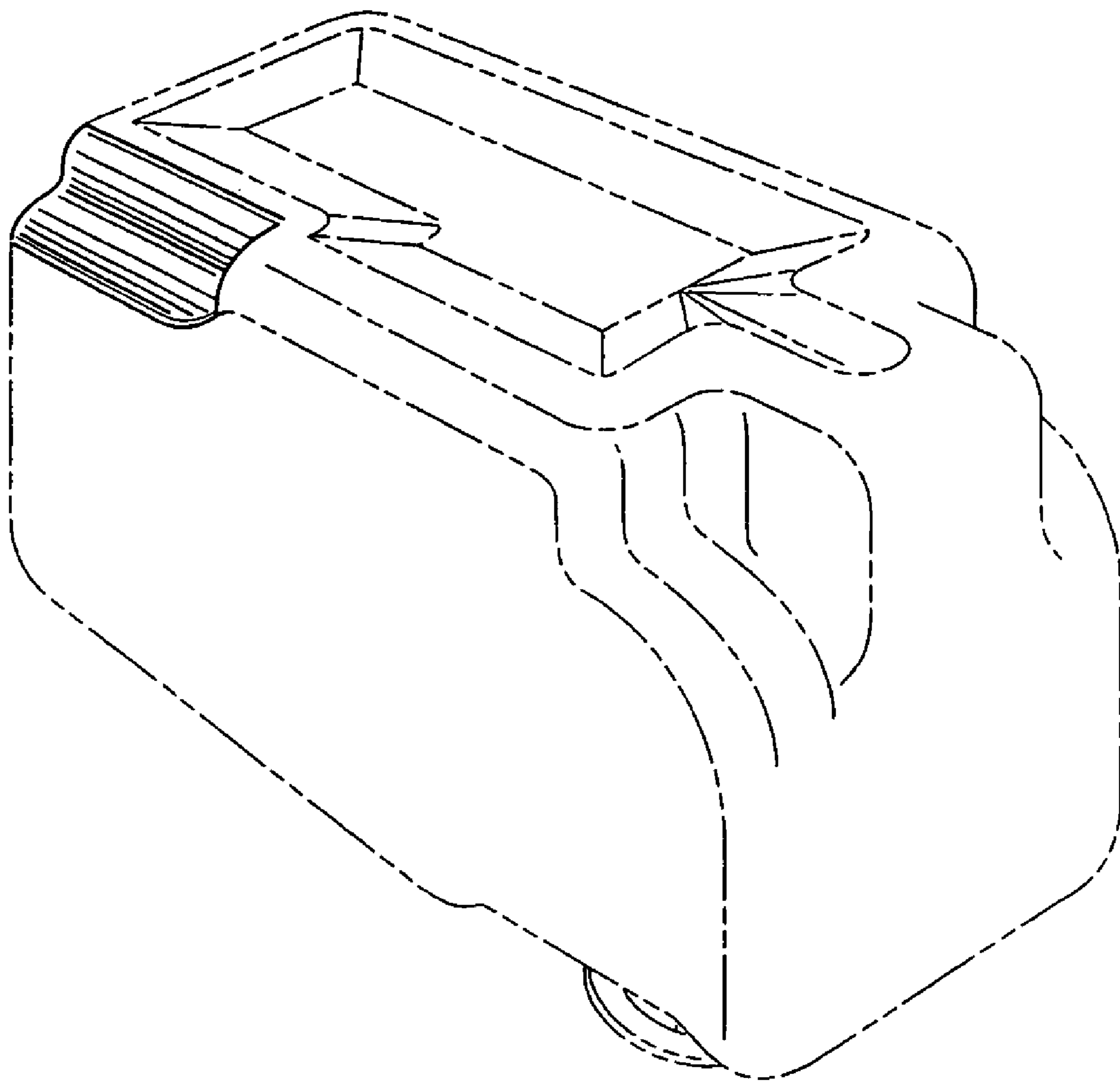


Fig. 2

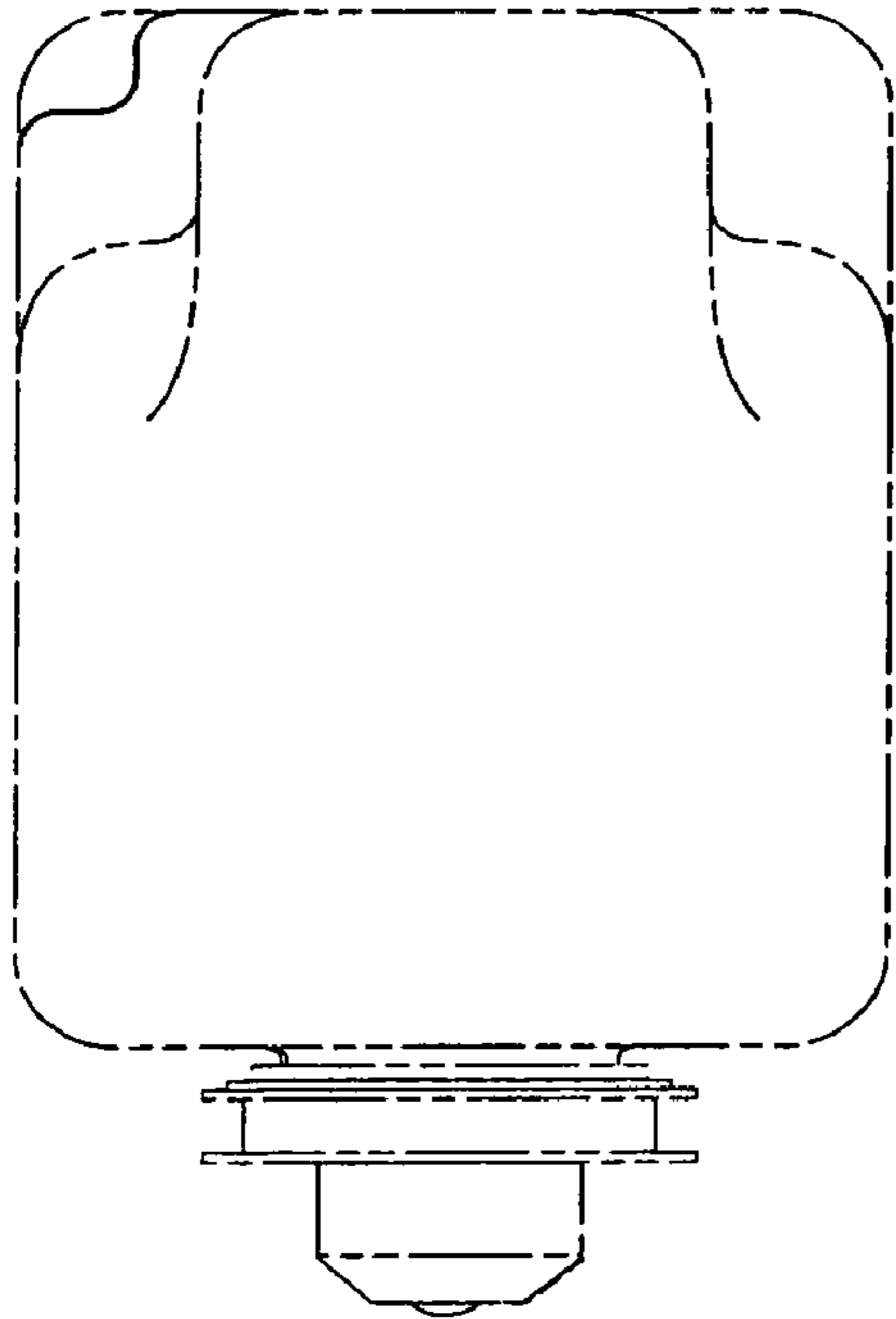


Fig. 3

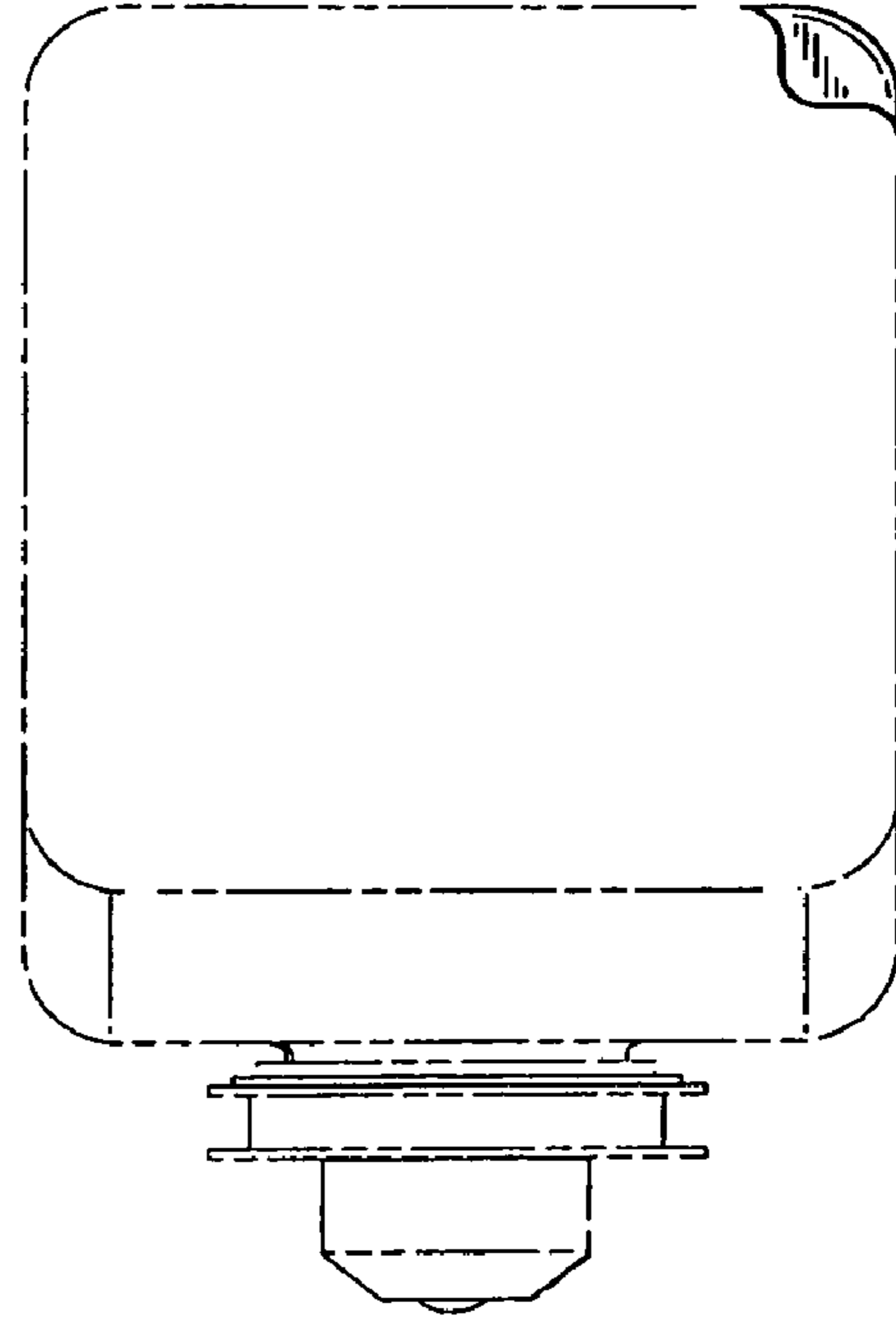


Fig. 4

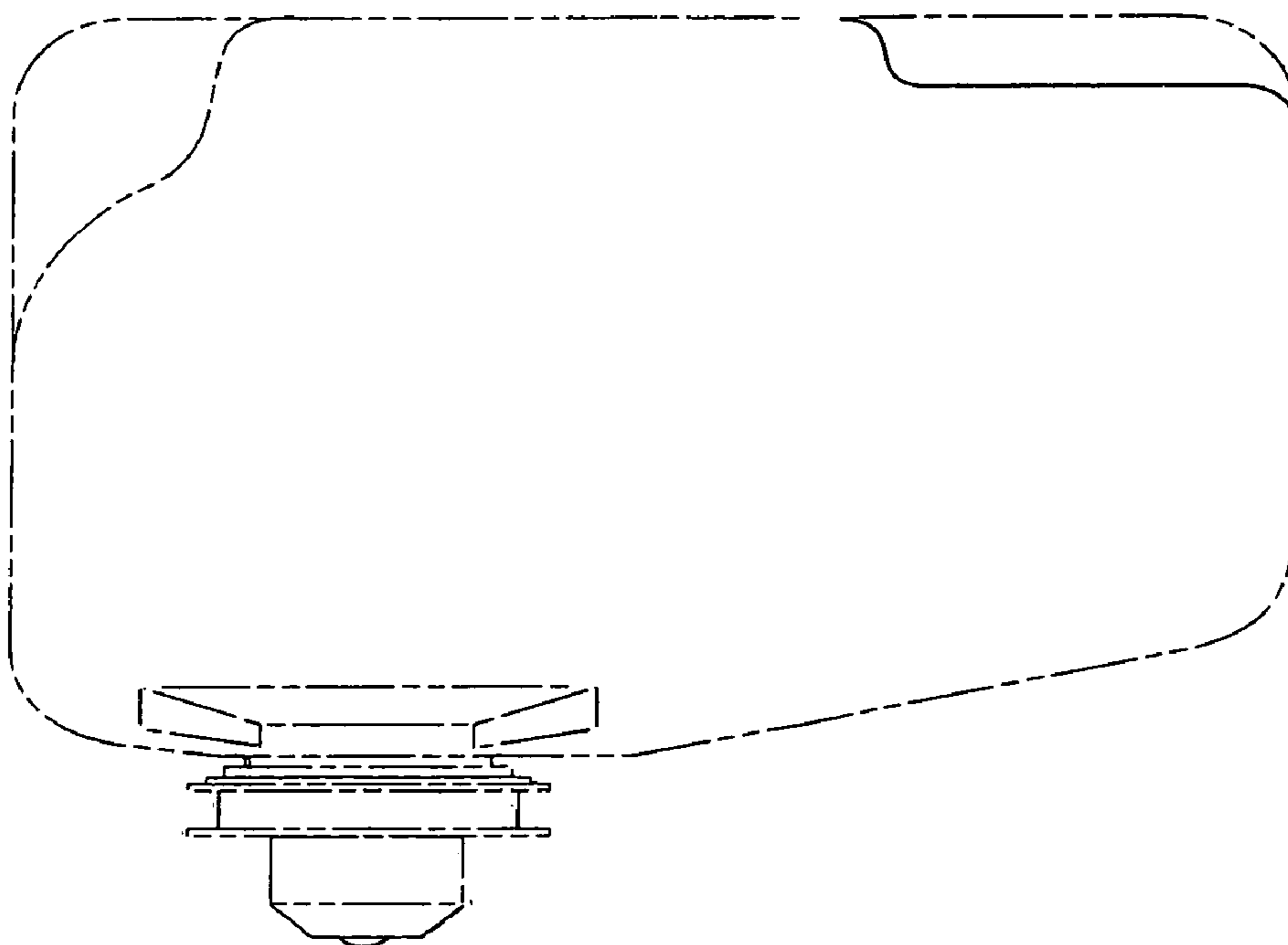


Fig. 5

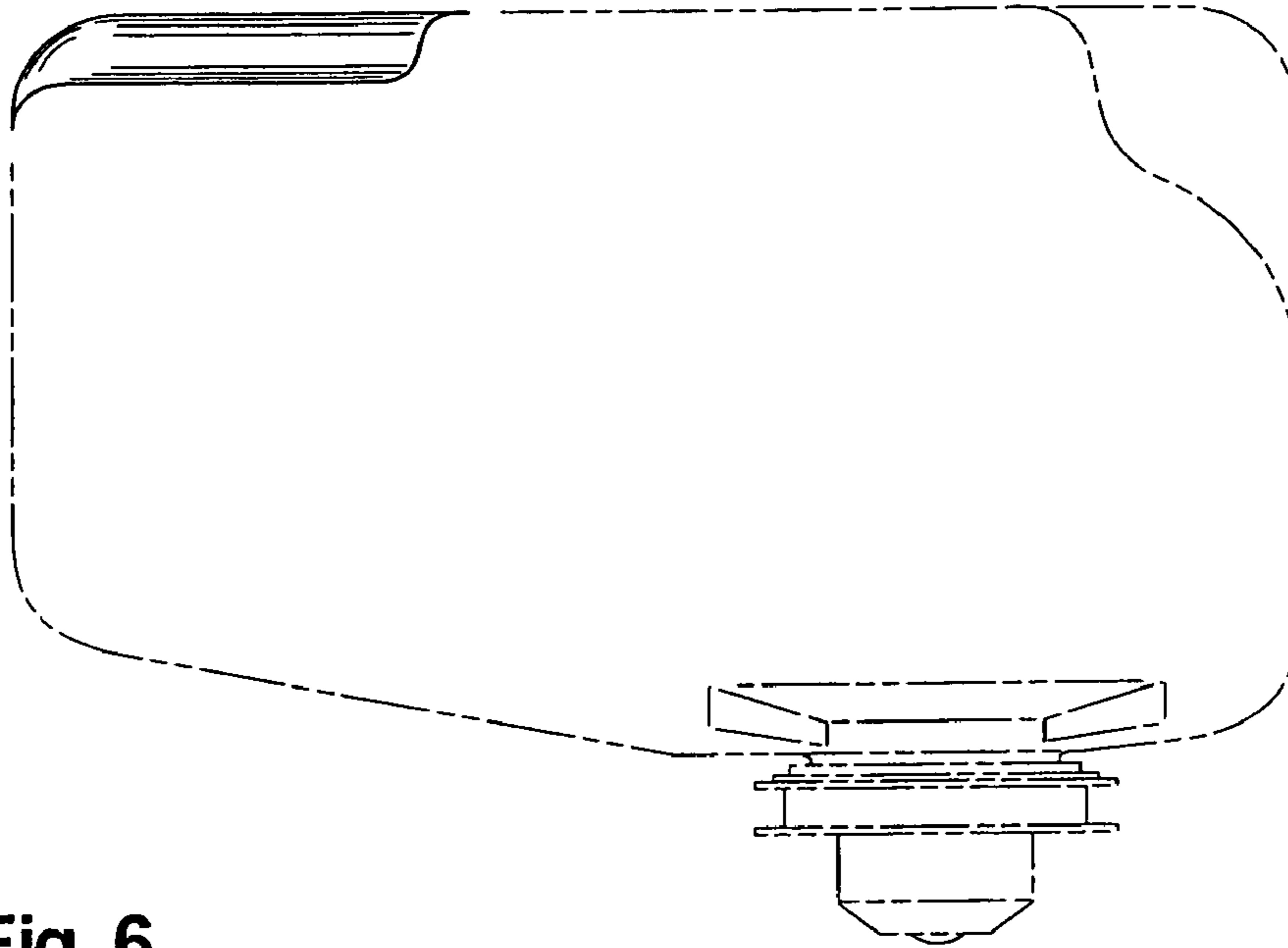


Fig. 6

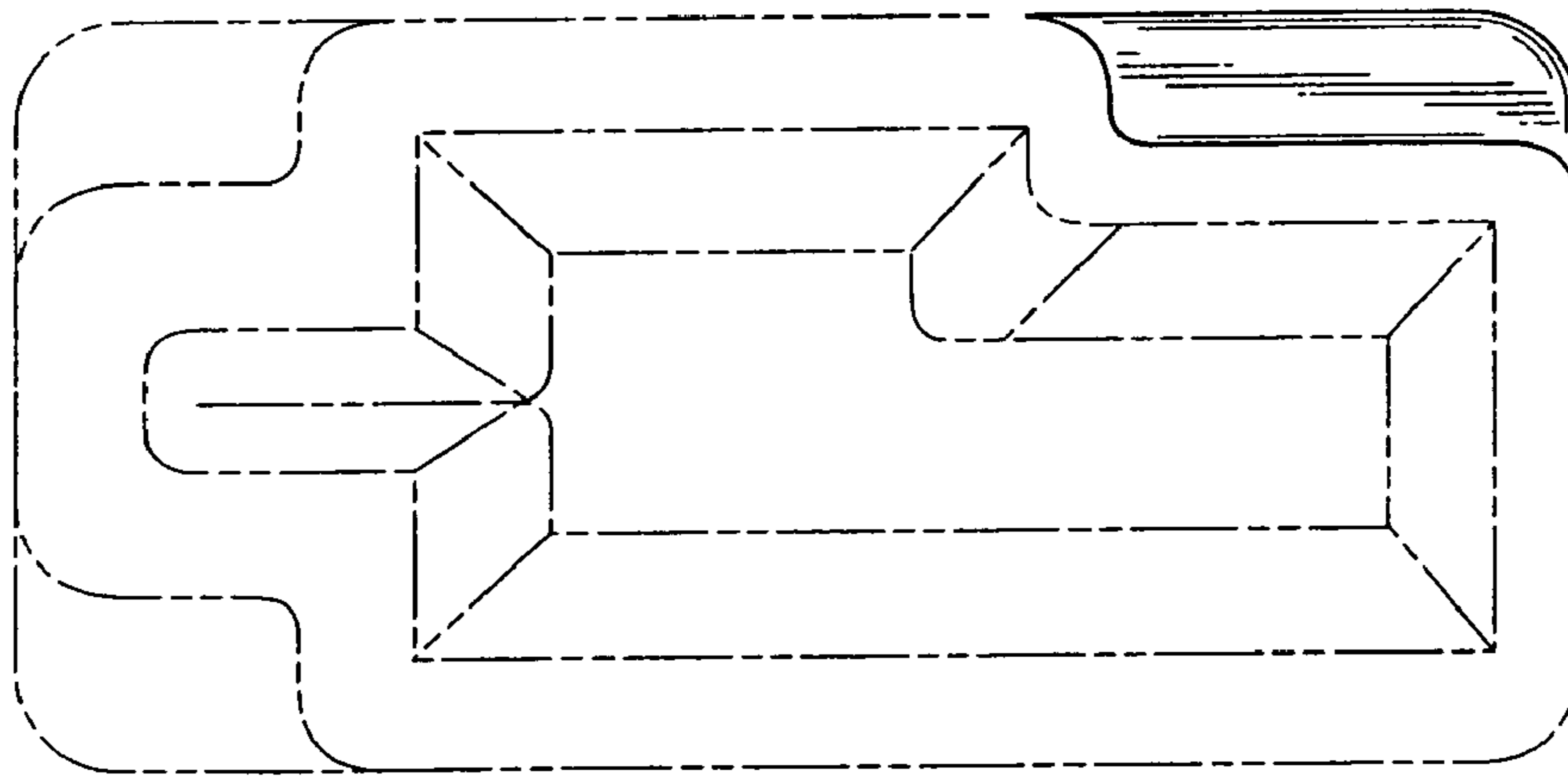


Fig. 7

