



US00D555478S

(12) **United States Design Patent**
Miller et al.

(10) **Patent No.:** **US D555,478 S**

(45) **Date of Patent:** **** Nov. 20, 2007**

(54) **LID TO A JAR**

(75) Inventors: **Nancy Miller**, Cave Creek, AZ (US);
Jamie Thomas, Phoenix, AZ (US);
David Memke, Bainbridge Island, WA
(US)

(73) Assignee: **The Dial Corporation**, Scottsdale, AZ
(US)

(**) Term: **14 Years**

(21) Appl. No.: **29/270,251**

(22) Filed: **Dec. 19, 2006**

(51) **LOC (8) Cl.** **09-07**

(52) **U.S. Cl.** **D9/451; D9/452; D9/456**

(58) **Field of Classification Search** D9/667,
D9/655, 632, 631, 600, 452, 451, 445, 453,
D9/454; D7/628, 602, 599, 594, 571, 544,
D7/539, 514, 506, 391, 354, 301; 215/355,
215/316, 230; D11/227, 40, 75, 76, 95; D12/563
See application file for complete search history.

(56) **References Cited**

U.S. PATENT DOCUMENTS

D91,386 S *	1/1934	Booth	D14/157
D117,139 S *	10/1939	Fletcher	D9/452
D151,607 S *	11/1948	Drell	D11/227
D151,609 S *	11/1948	Drell	D11/227
D211,775 S *	7/1968	Warrell	D9/451

D218,531 S *	8/1970	Gibson	D7/391
D401,855 S *	12/1998	Nilssen et al.	D9/451
D436,536 S	1/2001	Levi		
D468,207 S *	1/2003	Brown	D9/454
D473,213 S	4/2003	Abdo		
D516,912 S *	3/2006	LaMasney	D9/454
D516,913 S *	3/2006	LaMasney	D9/454

* cited by examiner

Primary Examiner—Gary D. Watson

Assistant Examiner—Susan Bennett Hattan

(74) *Attorney, Agent, or Firm*—Paul A. Pappalardo

(57) **CLAIM**

The ornamental design for a lid to a jar, as shown and described.

DESCRIPTION

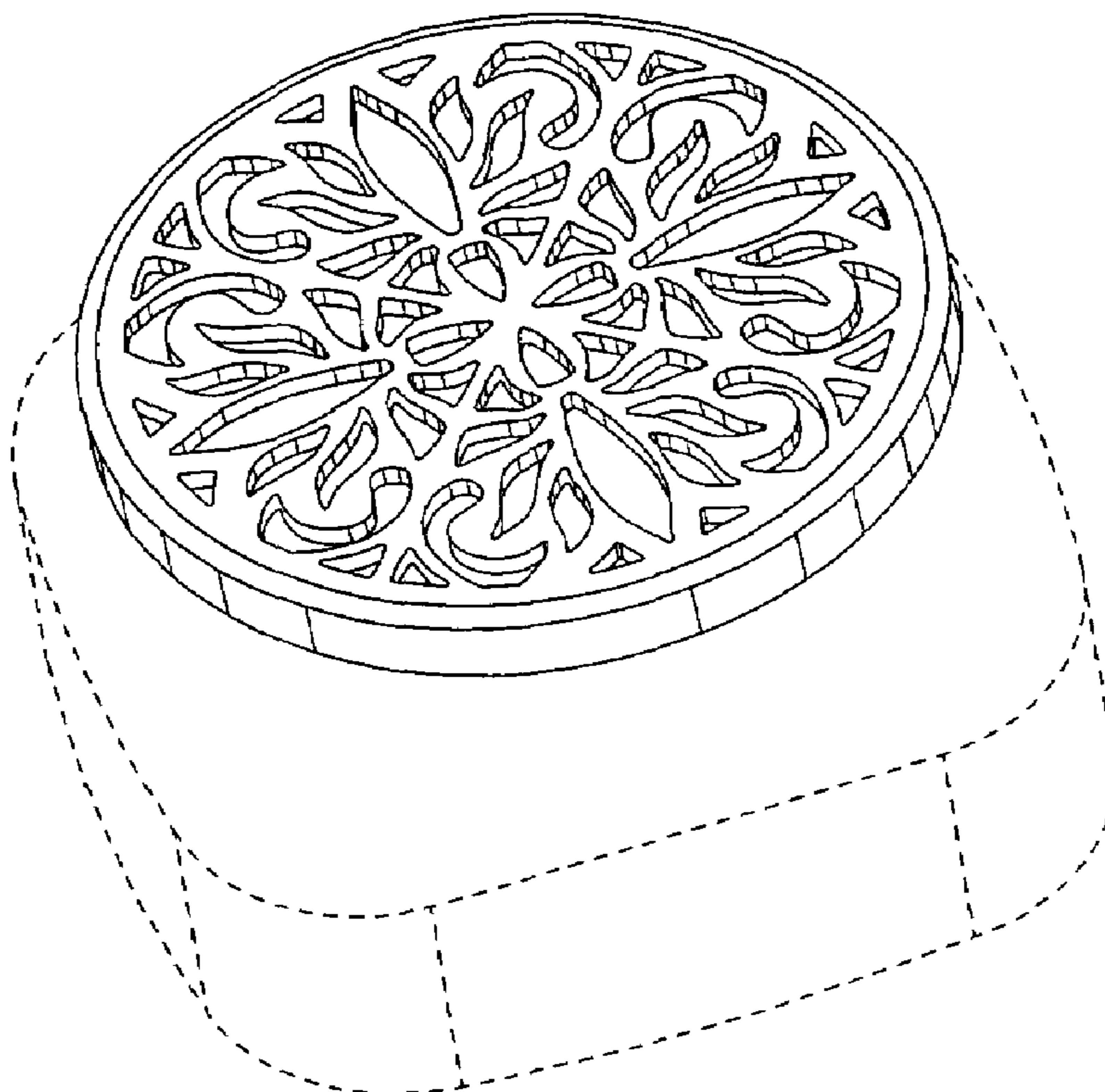
FIG. 1 is an upper perspective view of a lid to a jar showing the new design;

FIG. 2 is a top elevation view thereof, the bottom elevation being identical; and,

FIG. 3 is a side elevation view thereof, all side views of the lid being identical.

The broken lines in FIG. 1 showing a jar depict environmental subject matter only and form no part of the claimed design.

1 Claim, 1 Drawing Sheet



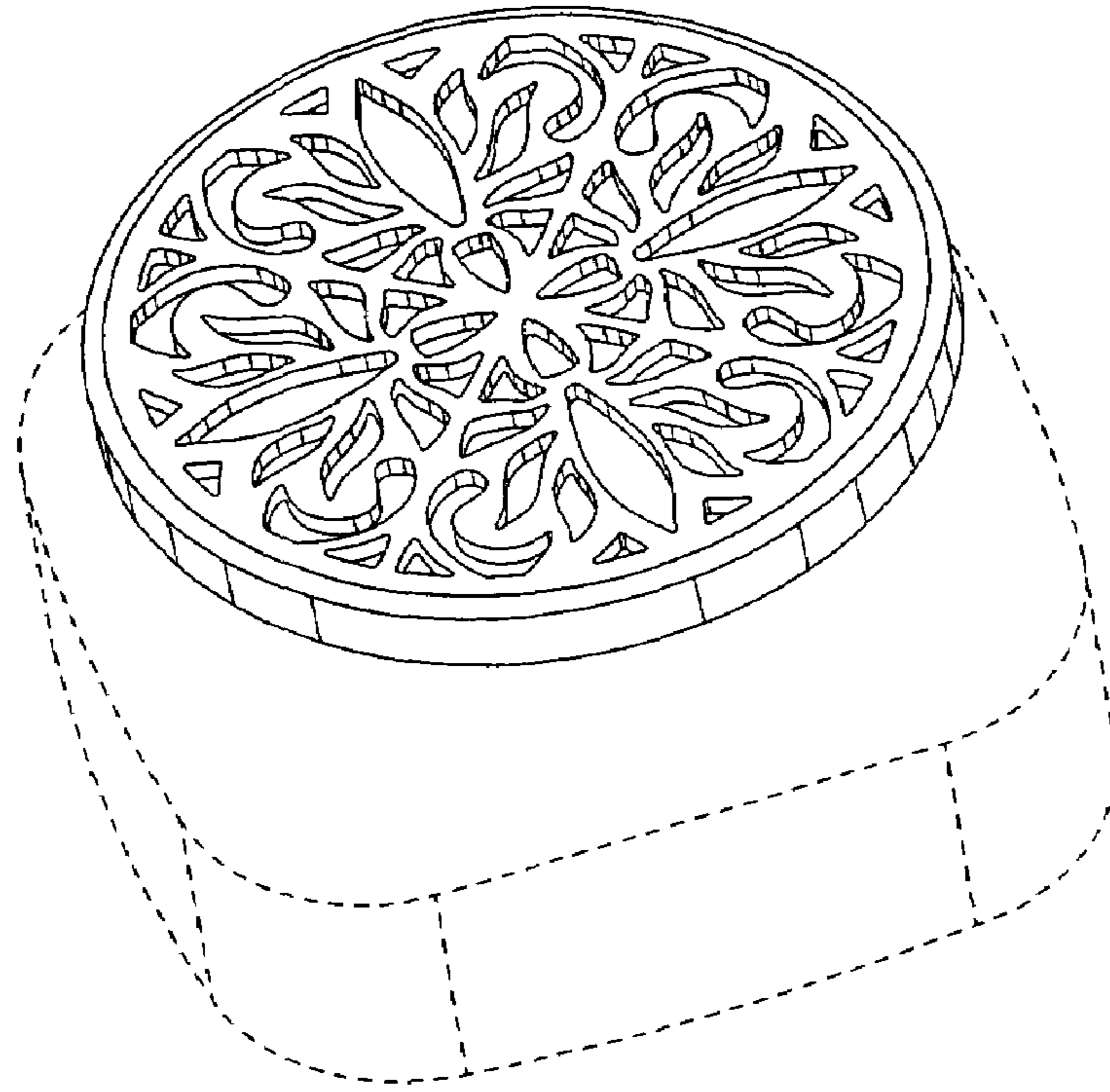


FIG. 1

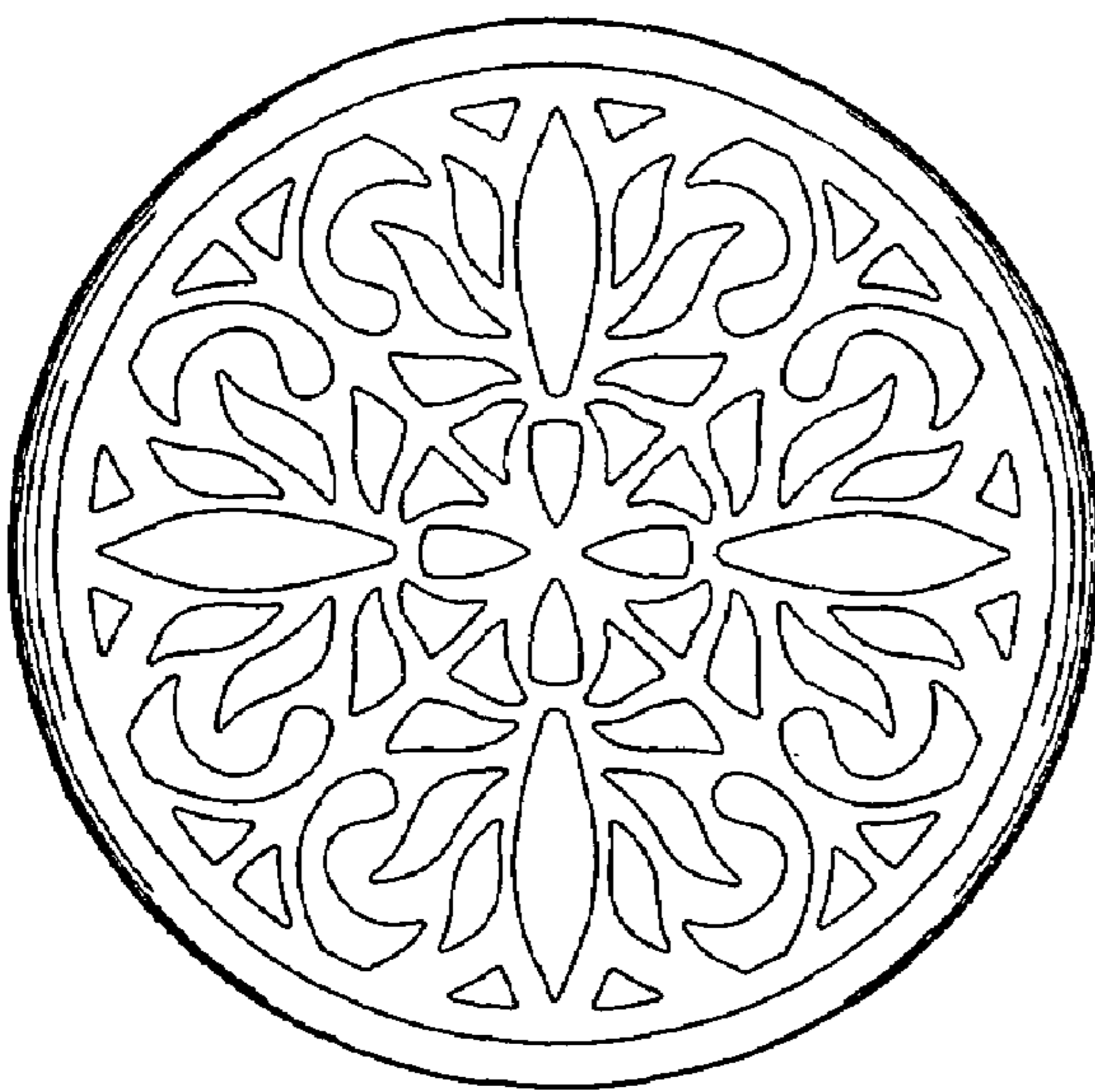


FIG. 2

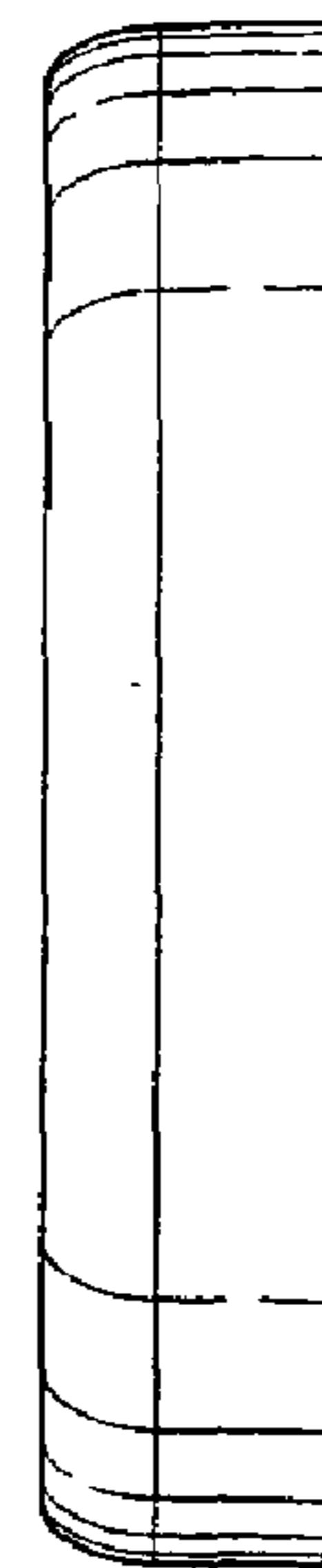


FIG. 3