



US00D555476S

(12) **United States Design Patent**
Nielsen

(10) **Patent No.:** **US D555,476 S**

(45) **Date of Patent:** **** Nov. 20, 2007**

(54) **PACKAGING**

(75) Inventor: **Tina Roed Nielsen**, Spenstrup (DK)

(73) Assignee: **Tulip Food Company P/S** (DK)

(**) Term: **14 Years**

(21) Appl. No.: **29/275,017**

(22) Filed: **Dec. 8, 2006**

(30) **Foreign Application Priority Data**

Jun. 19, 2006 (EM) 000546403

(51) **LOC (8) Cl.** **09-03**

(52) **U.S. Cl.** **D9/425; D9/432**

(58) **Field of Classification Search** D9/414-433,
D9/457, 701, 341-348, 560, 730-762, 304,
D9/227; 206/199, 428, 461-471, 495, 806;
229/122, 125, 11, 131.1, 117.16, 242; D7/629;
D3/302

See application file for complete search history.

(56) **References Cited**

U.S. PATENT DOCUMENTS

3,172,386 A * 3/1965 West 72/368
D246,439 S * 11/1977 Lynn et al. D9/425
4,819,824 A * 4/1989 Longbottom et al. 220/266
D305,410 S * 1/1990 Tyler D9/425
D330,161 S * 10/1992 Schuh D9/423

D363,662 S * 10/1995 Plater D9/425
D390,109 S * 2/1998 Tucker et al. D9/425
D443,184 S * 6/2001 Maxwell et al. D7/629
D496,560 S * 9/2004 Lerner D7/629
D513,376 S * 1/2006 Shannon D7/629

* cited by examiner

Primary Examiner—Louis S. Zarfaz

Assistant Examiner—Susan E Krakower

(74) *Attorney, Agent, or Firm*—St. Onge Steward Johnston
& Reens LLC

(57) **CLAIM**

The ornamental design for packaging, as shown and described.

DESCRIPTION

FIG. 1 is a top, front and left side perspective view of a packaging in accordance with the new design;

FIG. 2 is a bottom plan view thereof;

FIG. 3 is a top plan view thereof;

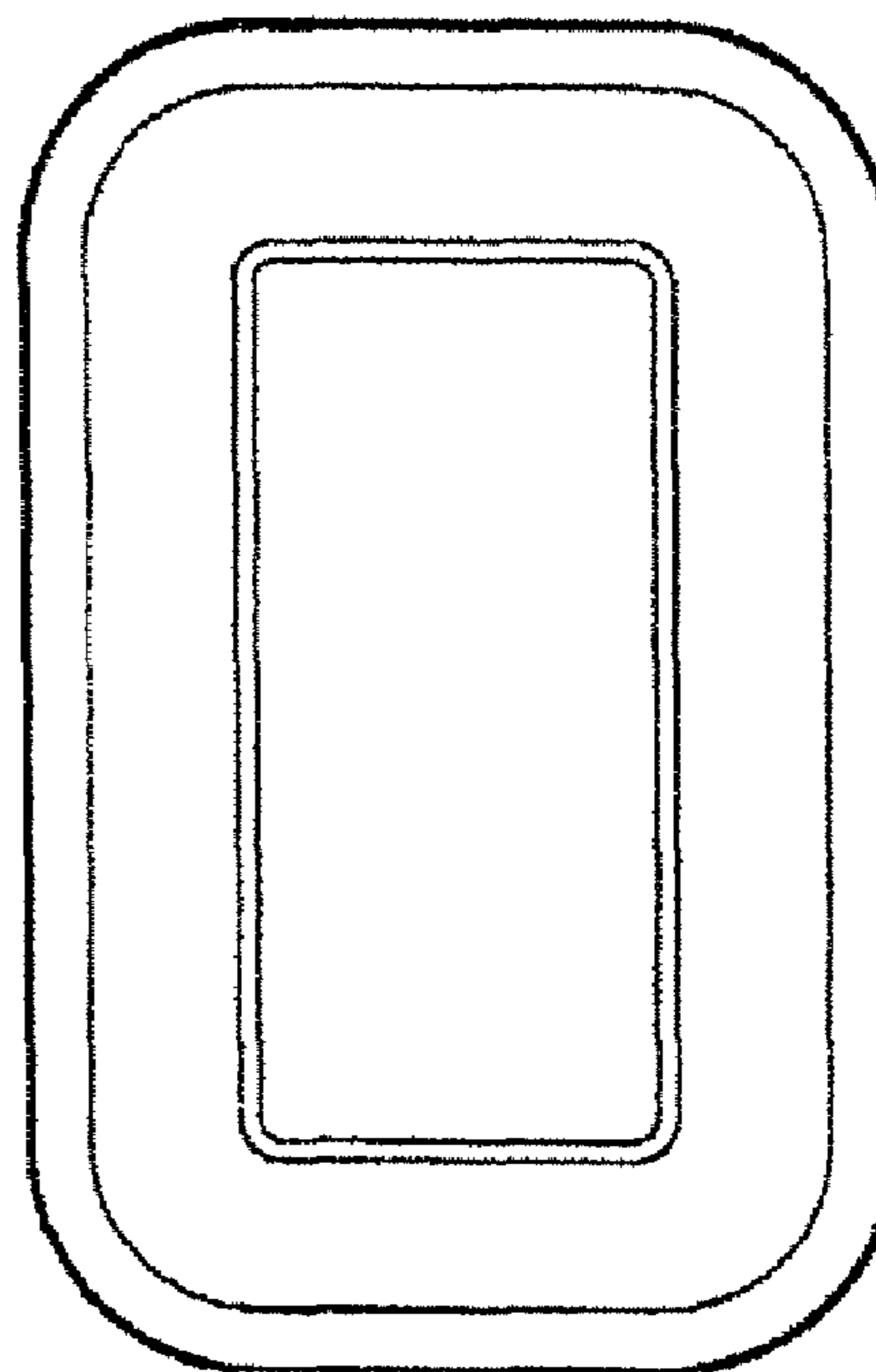
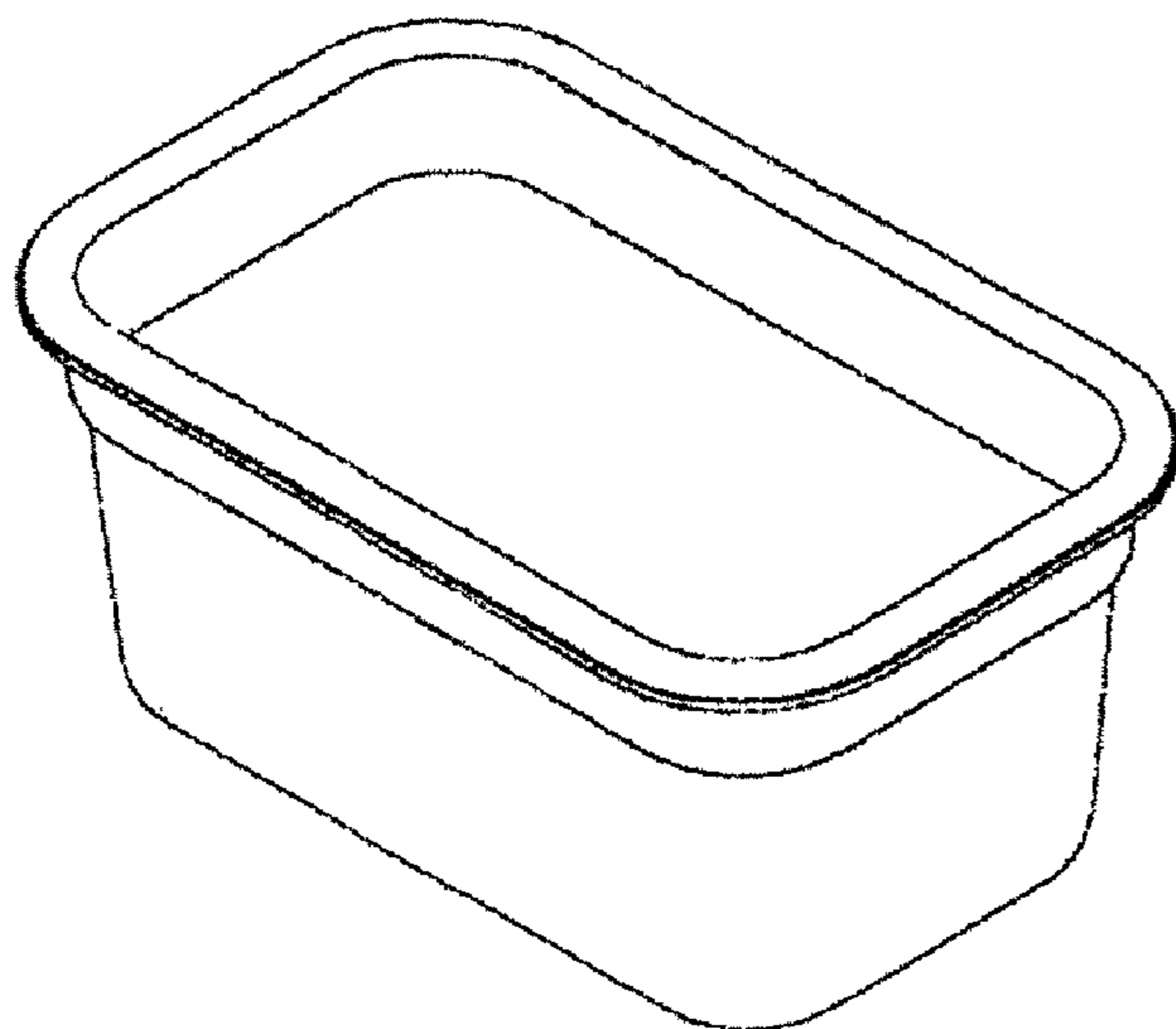
FIG. 4 is a left side elevational view thereof, shown in larger scale;

FIG. 5 is a front elevation view thereof;

FIG. 6 is a right side elevational view thereof, shown in larger scale; and,

FIG. 7 is a rear elevation view thereof.

1 Claim, 3 Drawing Sheets



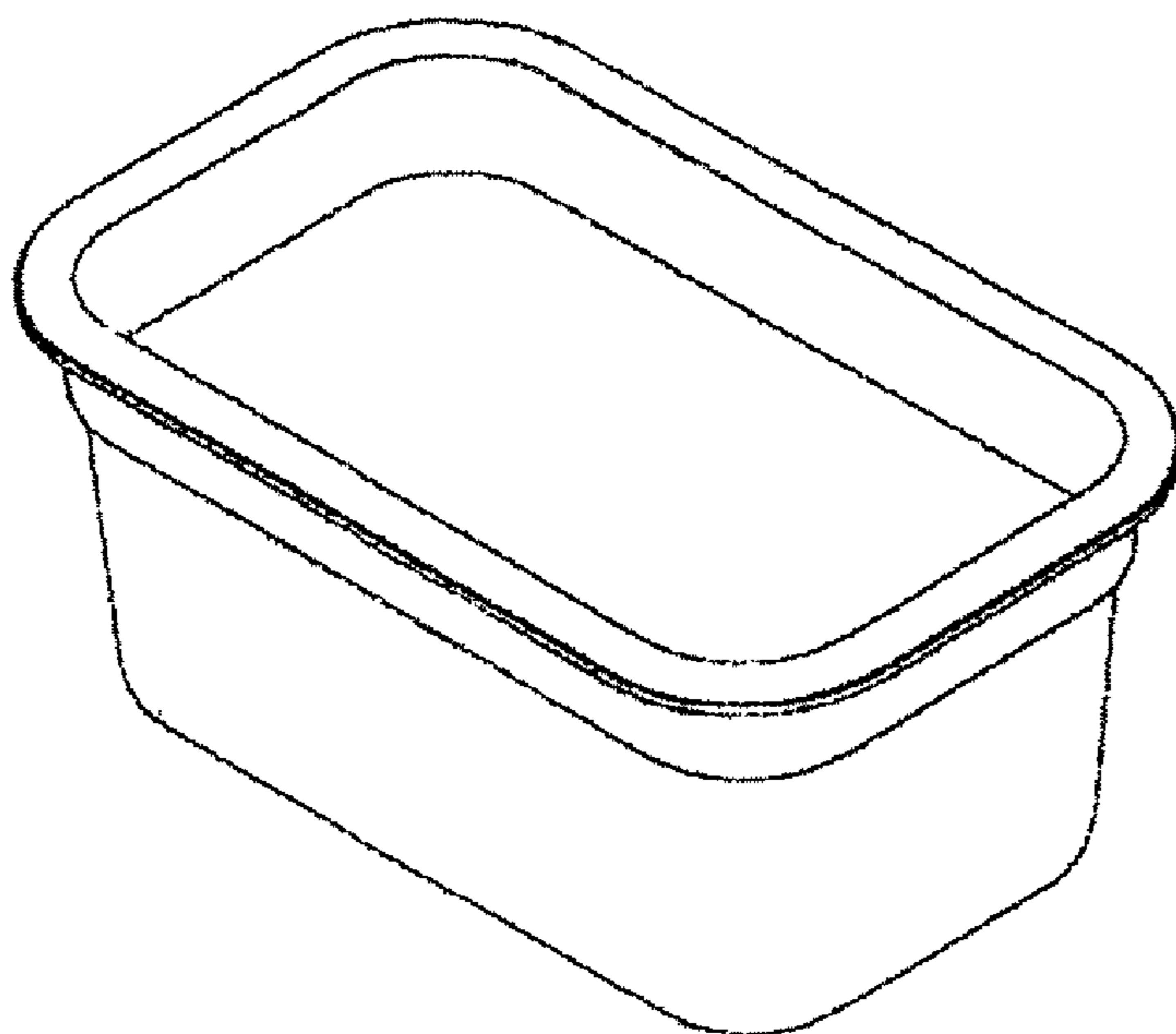


FIG. 1

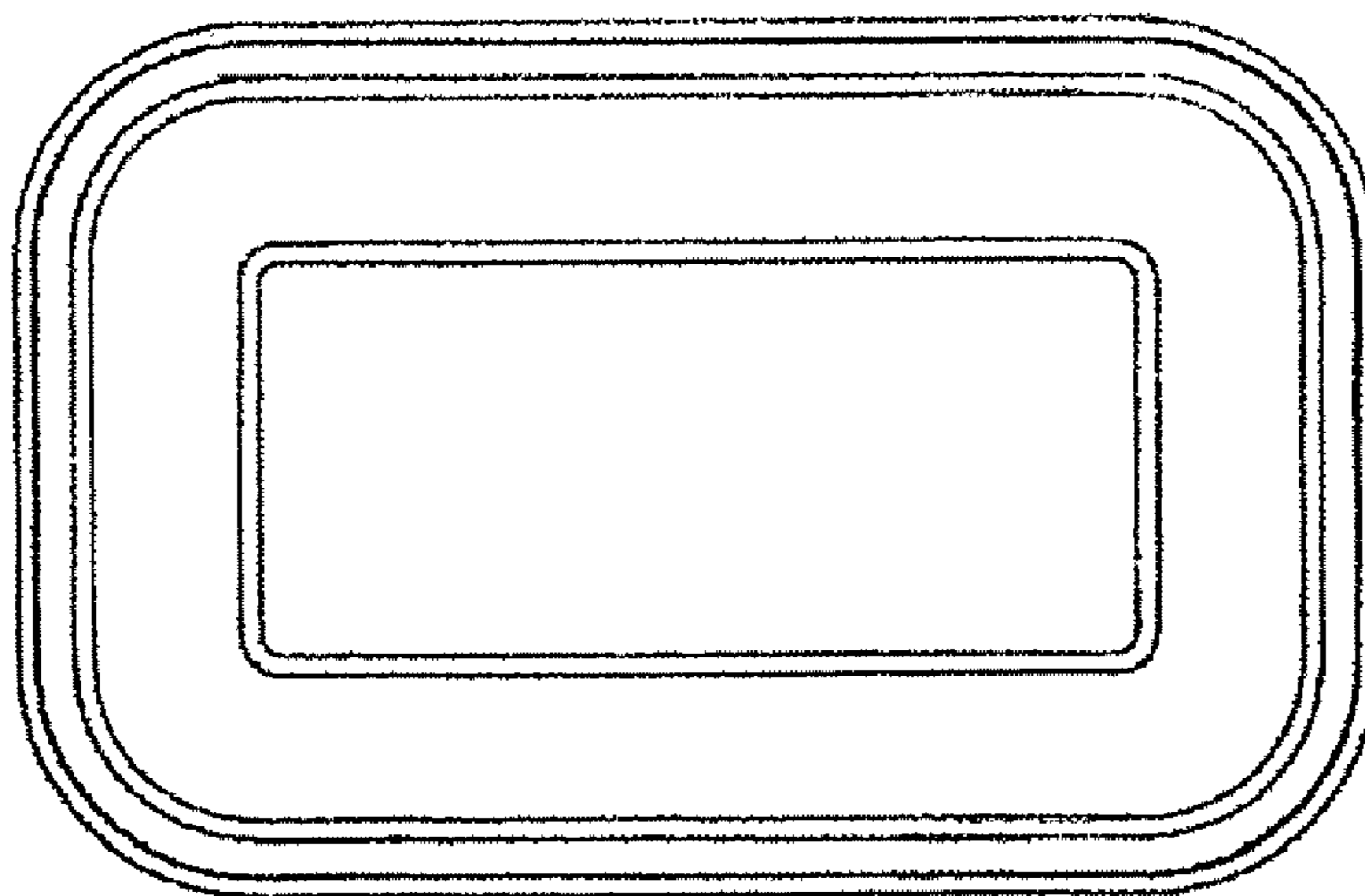


FIG. 2

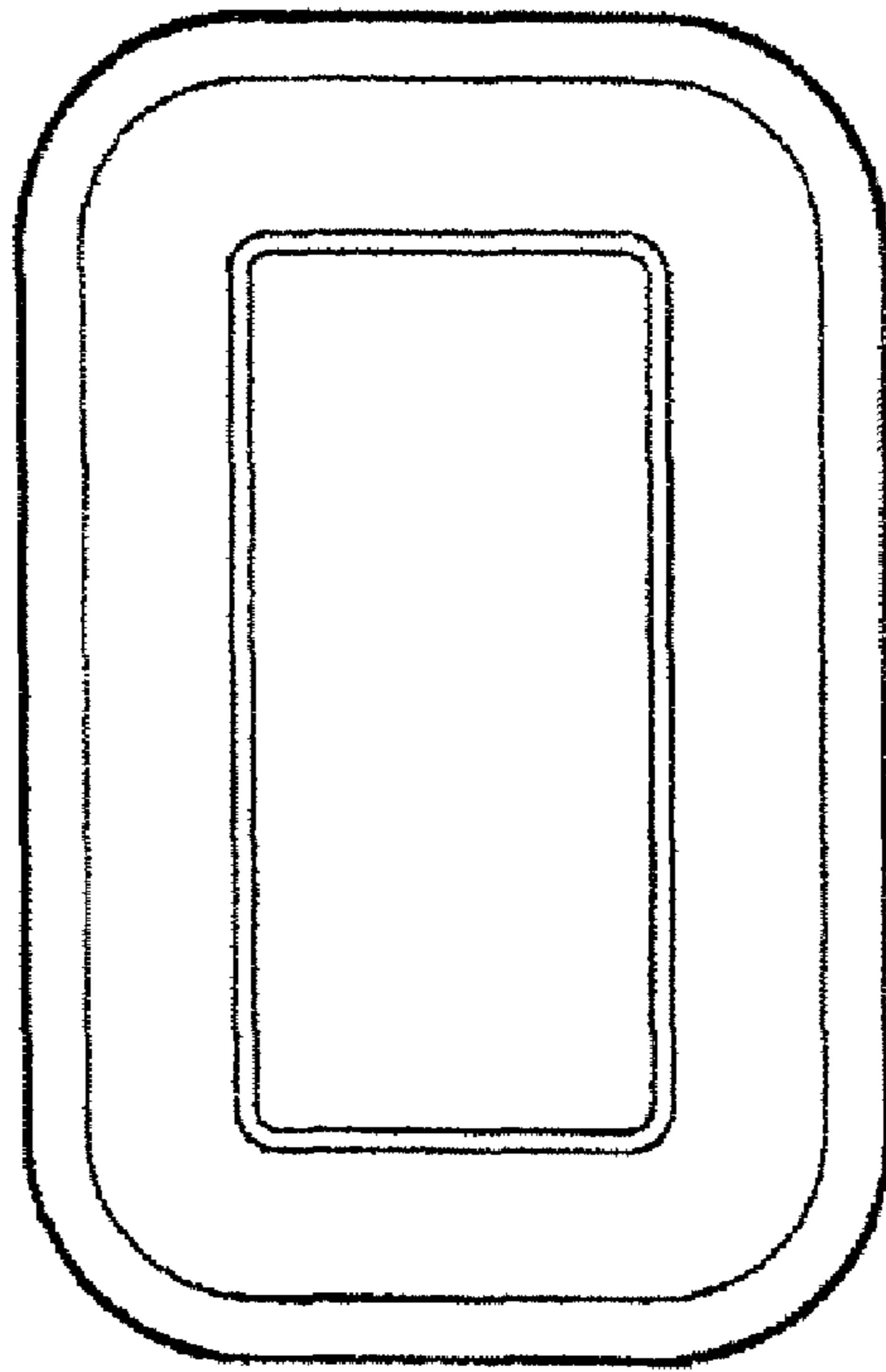


FIG. 3

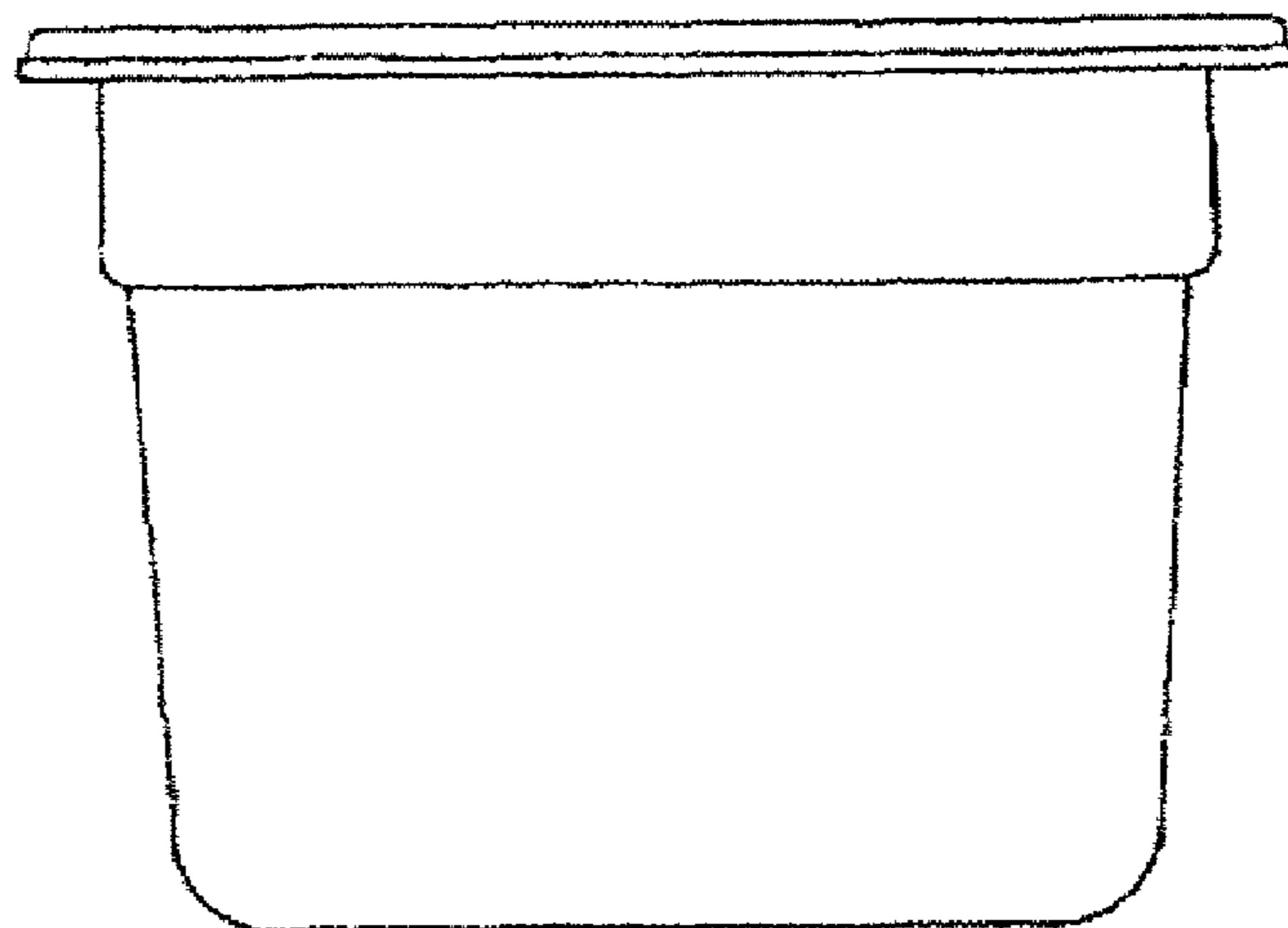


FIG. 4

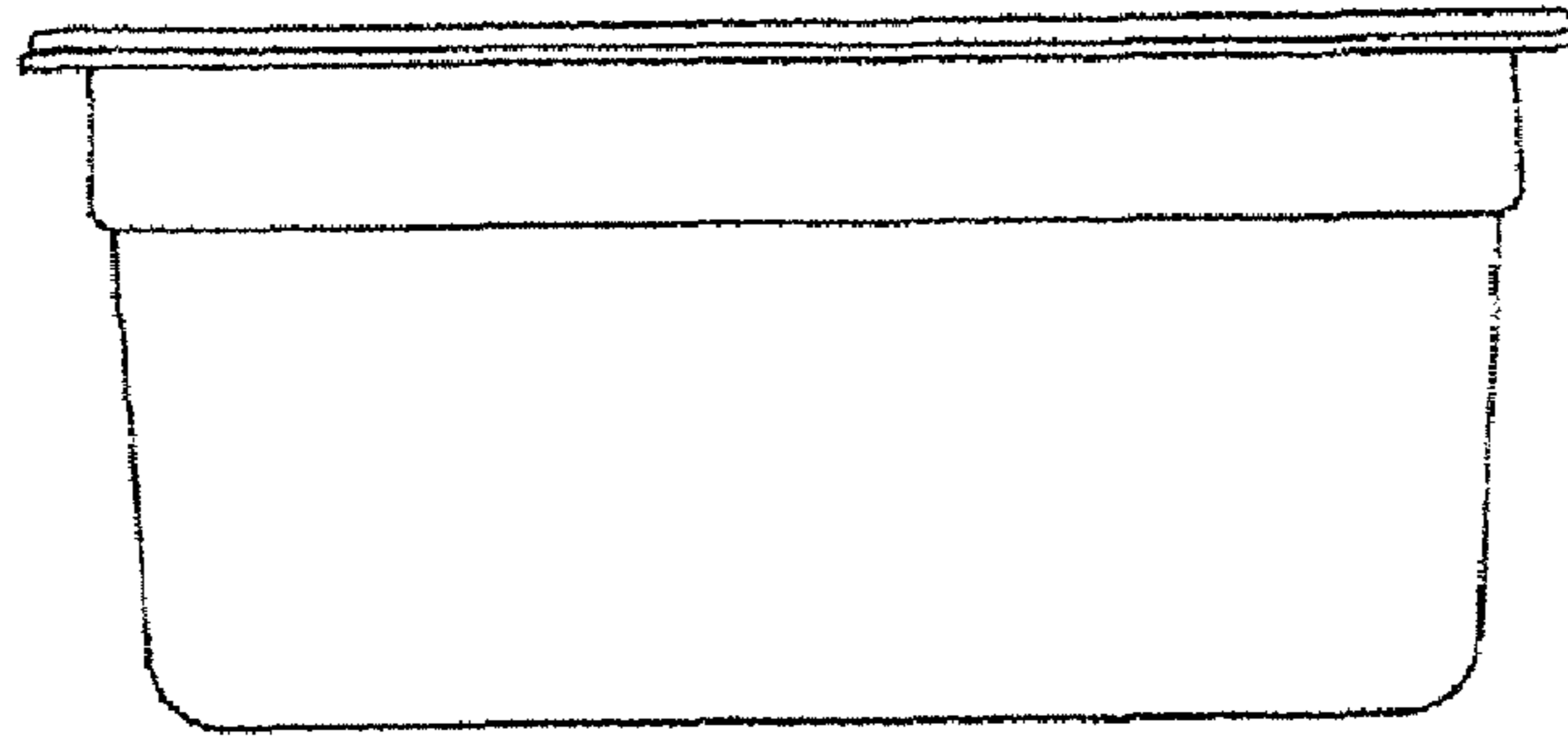


FIG. 5

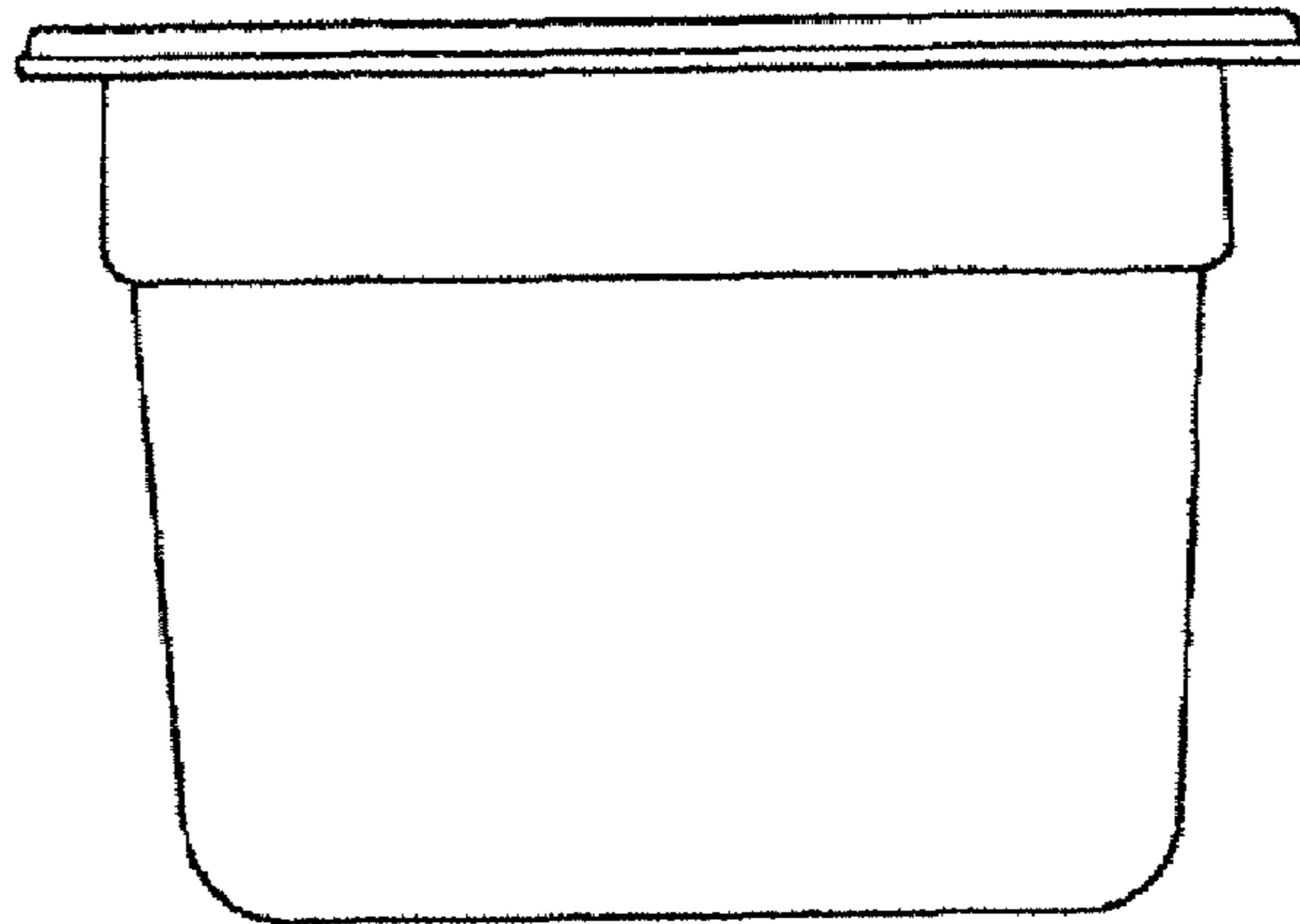


FIG. 6

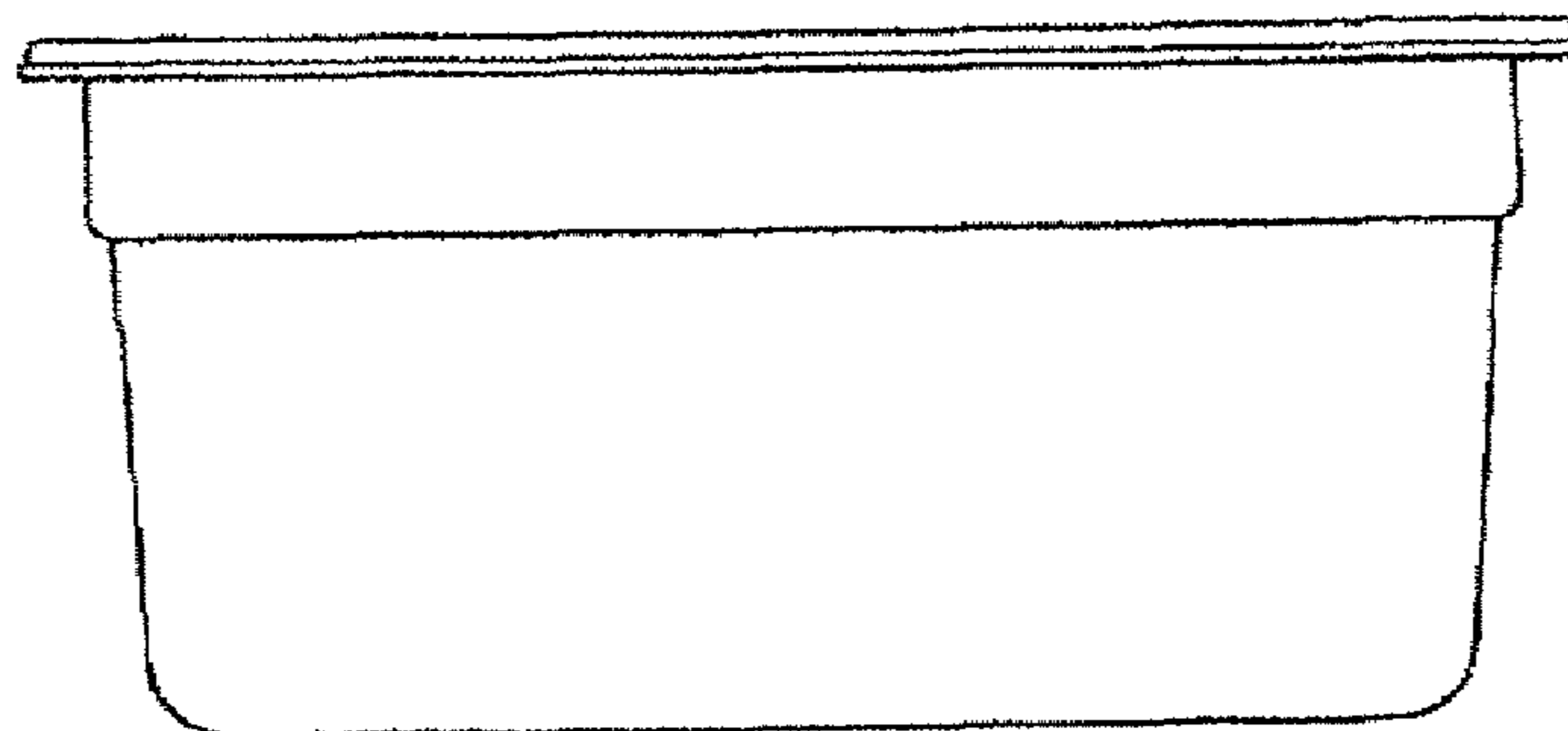


FIG. 7