



US00D555472S

(12) **United States Design Patent**  
**Gedanke**

(10) **Patent No.:** **US D555,472 S**

(45) **Date of Patent:** **\*\* Nov. 20, 2007**

(54) **VACUUM PUMP PACKAGING**

(75) Inventor: **Sergio Gedanke**, Brooklyn, NY (US)

(73) Assignee: **Alcoa Inc.**, Pittsburgh, PA (US)

(\*\*) Term: **14 Years**

(21) Appl. No.: **29/278,948**

(22) Filed: **Apr. 16, 2007**

(51) **LOC (8) Cl.** ..... **09-03**

(52) **U.S. Cl.** ..... **D9/418; D9/425; D9/424**

(58) **Field of Classification Search** ..... D9/414,  
D9/415, 418, 424, 425, 457; 206/461-471,  
206/495, 806, 701-705, 769-776, 756, 486  
See application file for complete search history.

(56) **References Cited**

**U.S. PATENT DOCUMENTS**

- D307,867 S \* 5/1990 Lewis ..... D9/424
- D352,236 S \* 11/1994 Althaus ..... D9/415
- D466,405 S \* 12/2002 Lee ..... D9/415
- D517,907 S \* 3/2006 Lee et al. .... D9/415
- D543,843 S \* 6/2007 Gehring et al. .... D9/425

D548,069 S \* 8/2007 Sagel et al. .... D9/425

\* cited by examiner

*Primary Examiner*—Stella M. Reid

*Assistant Examiner*—Susan E Krakower

(74) *Attorney, Agent, or Firm*—Greenberg Traurig LLP;  
Paul F. McQuade; James Goepel

(57) **CLAIM**

The ornamental design for a vacuum pump packaging, as shown and described.

**DESCRIPTION**

FIG. 1 is a perspective view of the vacuum pump packaging, showing the present design;

FIG. 2 is a front elevational view thereof;

FIG. 3 is a rear elevational view thereof;

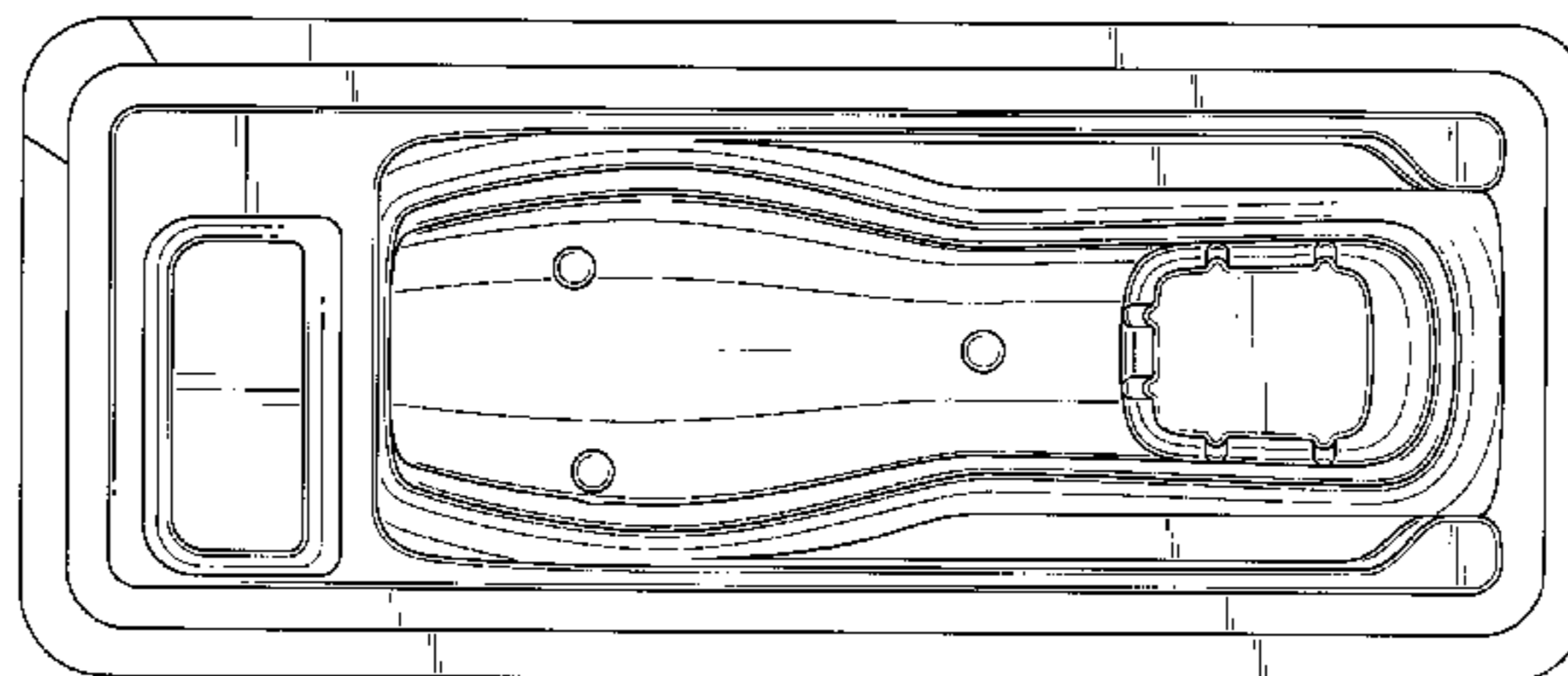
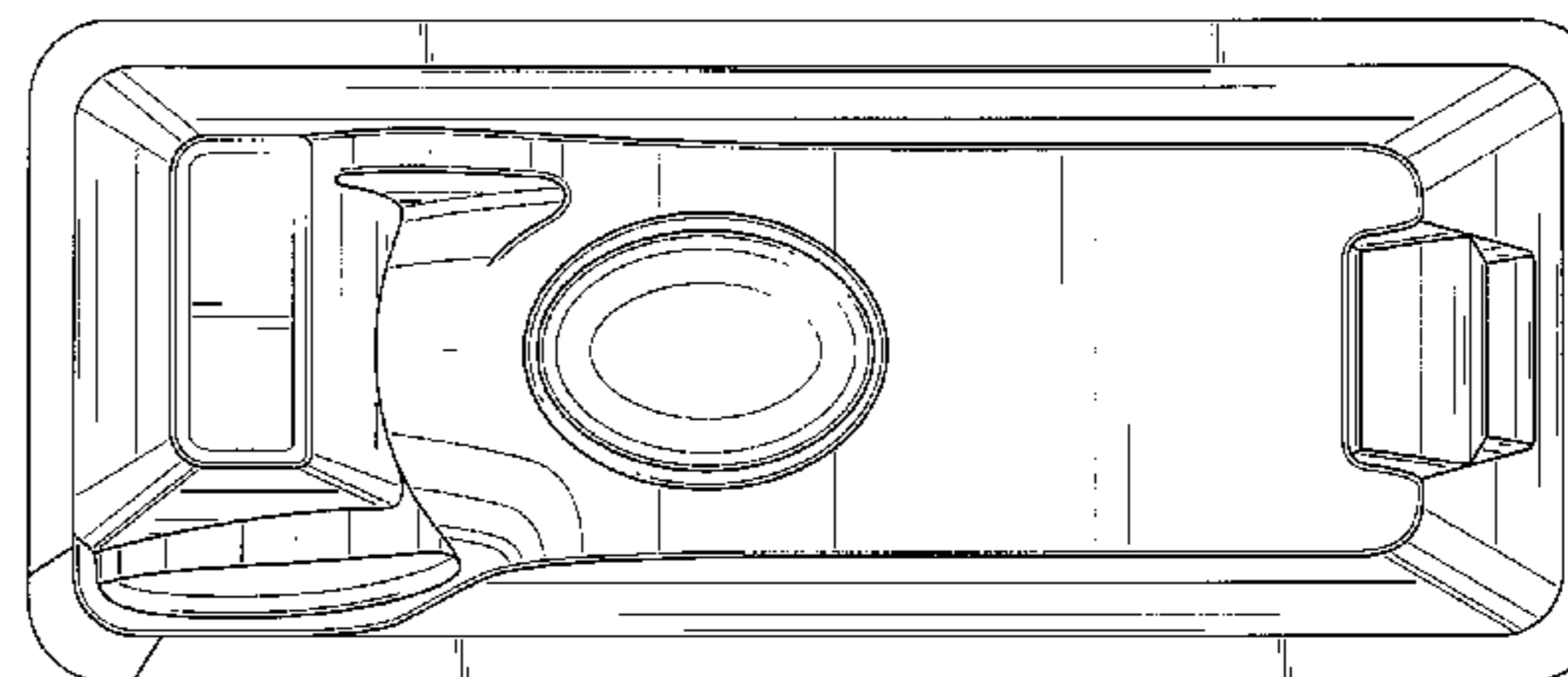
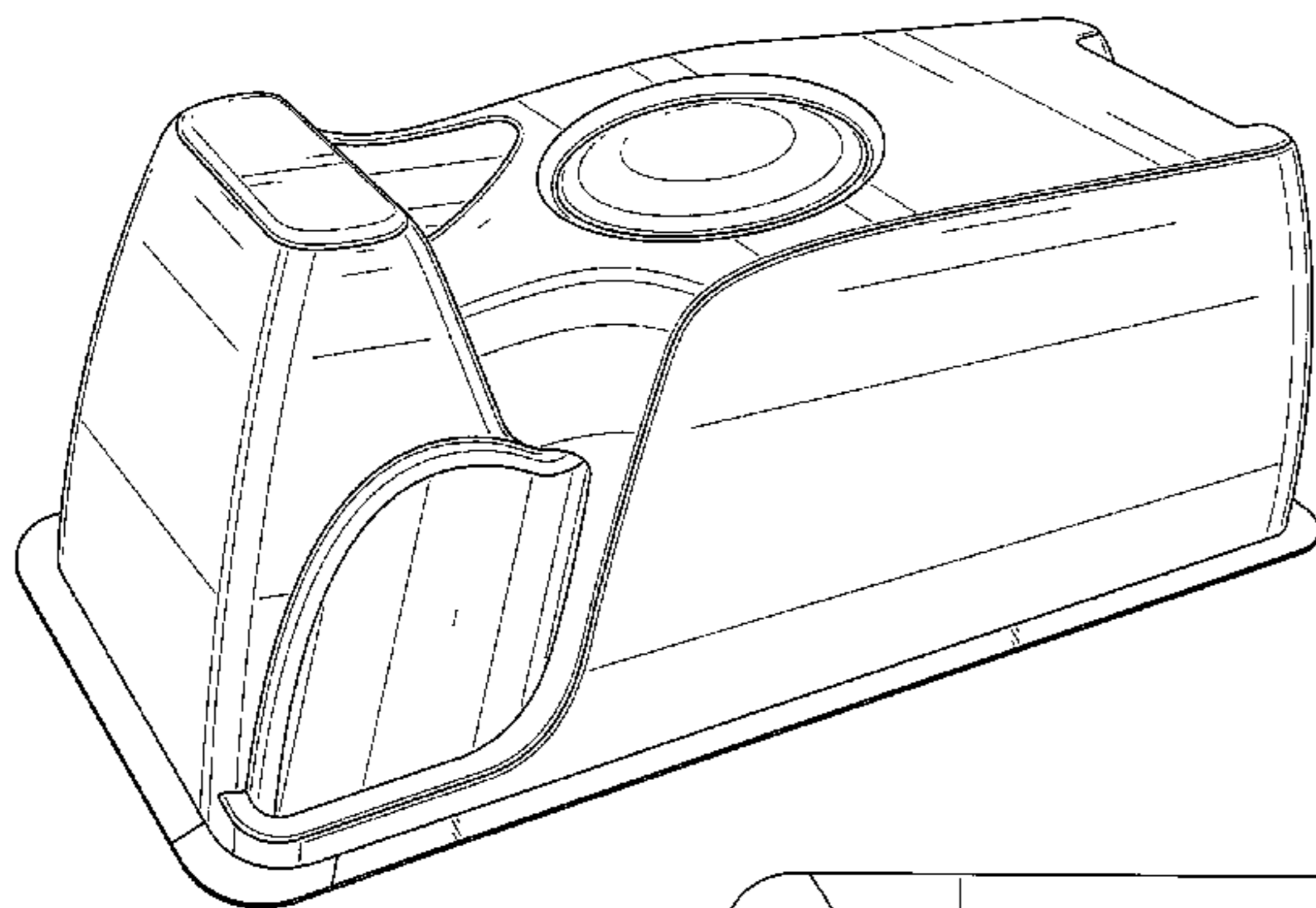
FIG. 4 is a left elevational view thereof;

FIG. 5 is a right elevational view thereof;

FIG. 6 is a top plan view thereof; and,

FIG. 7 is a bottom plan view thereof.

**1 Claim, 3 Drawing Sheets**



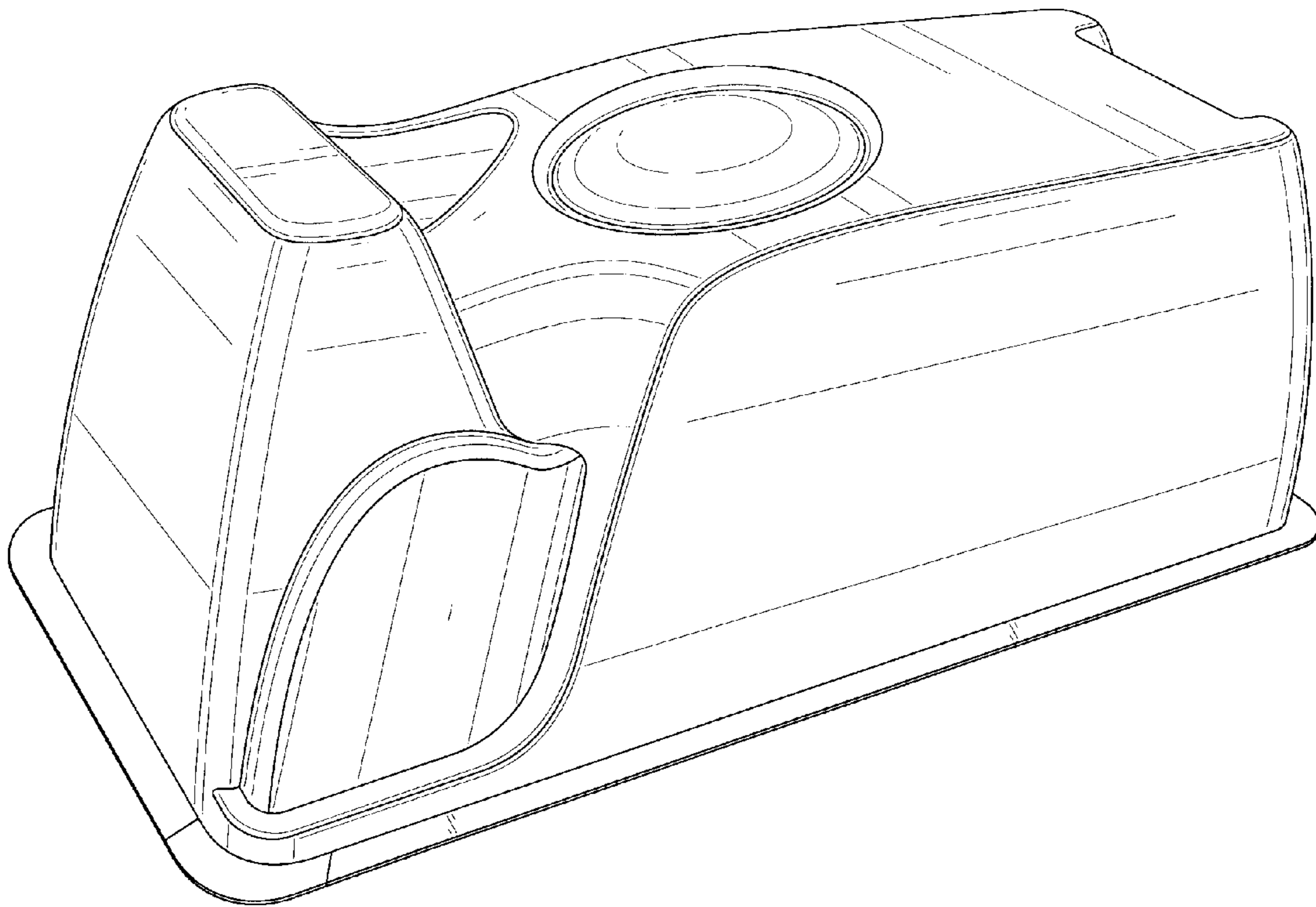


Figure 1

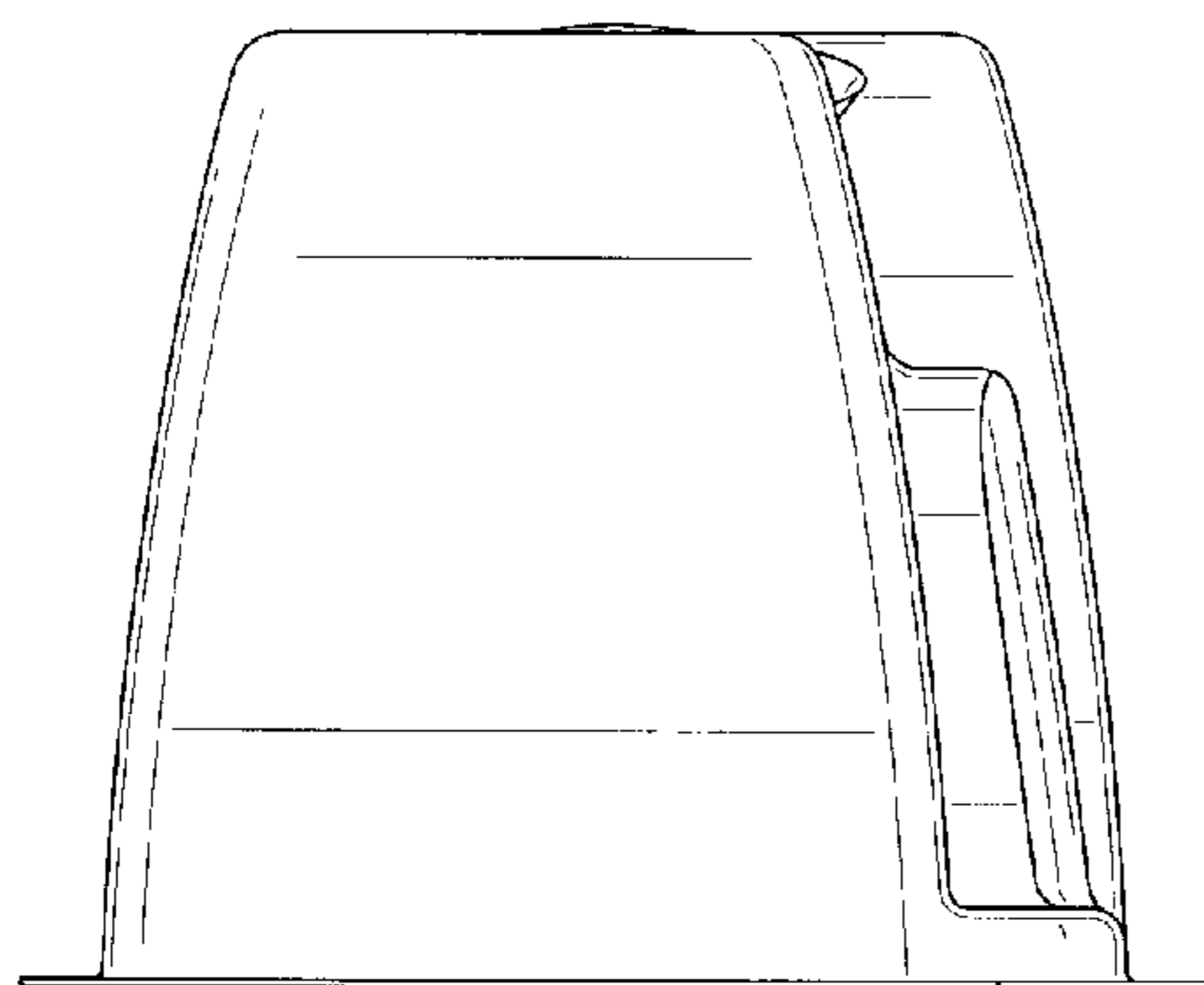


Figure 2

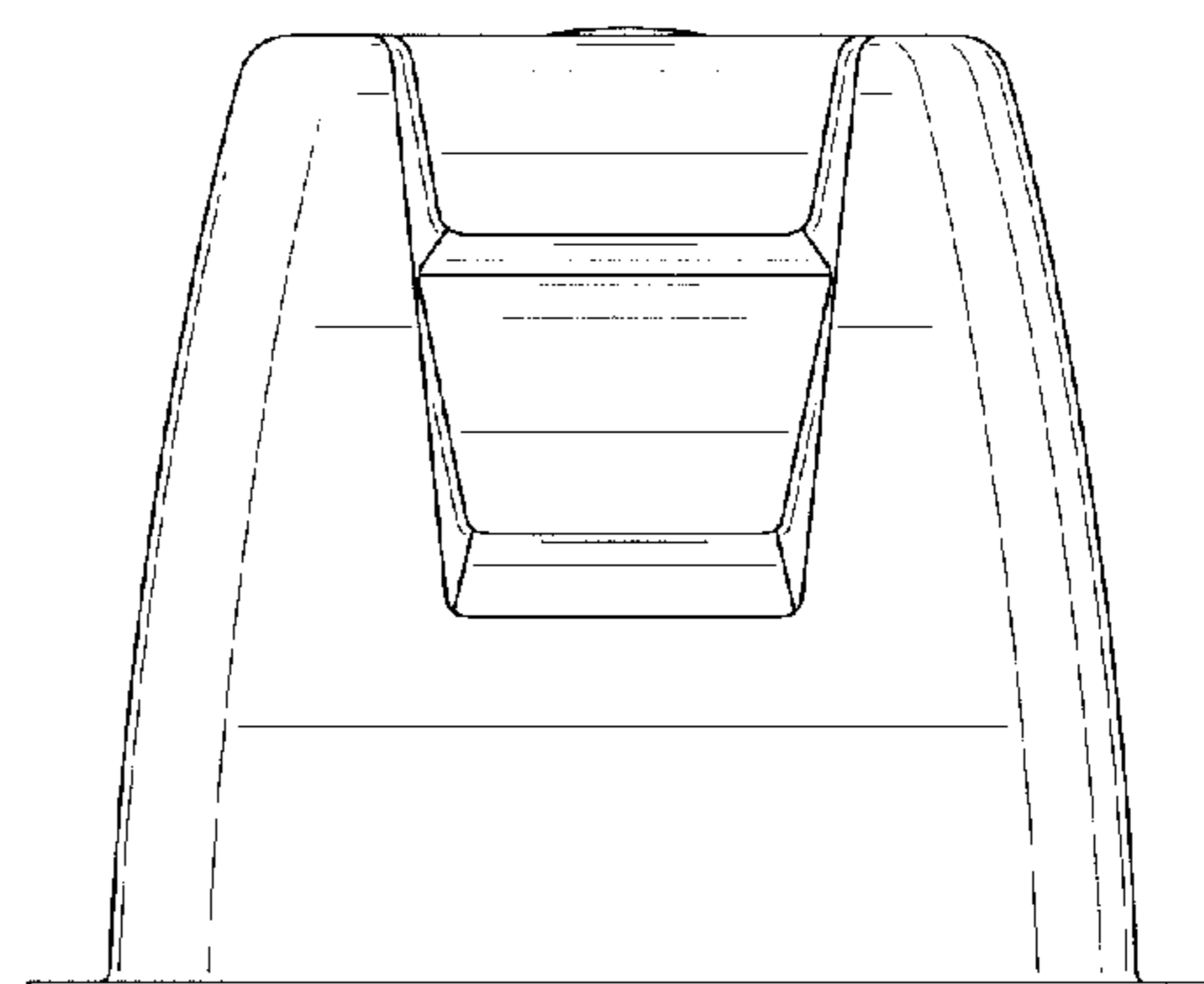
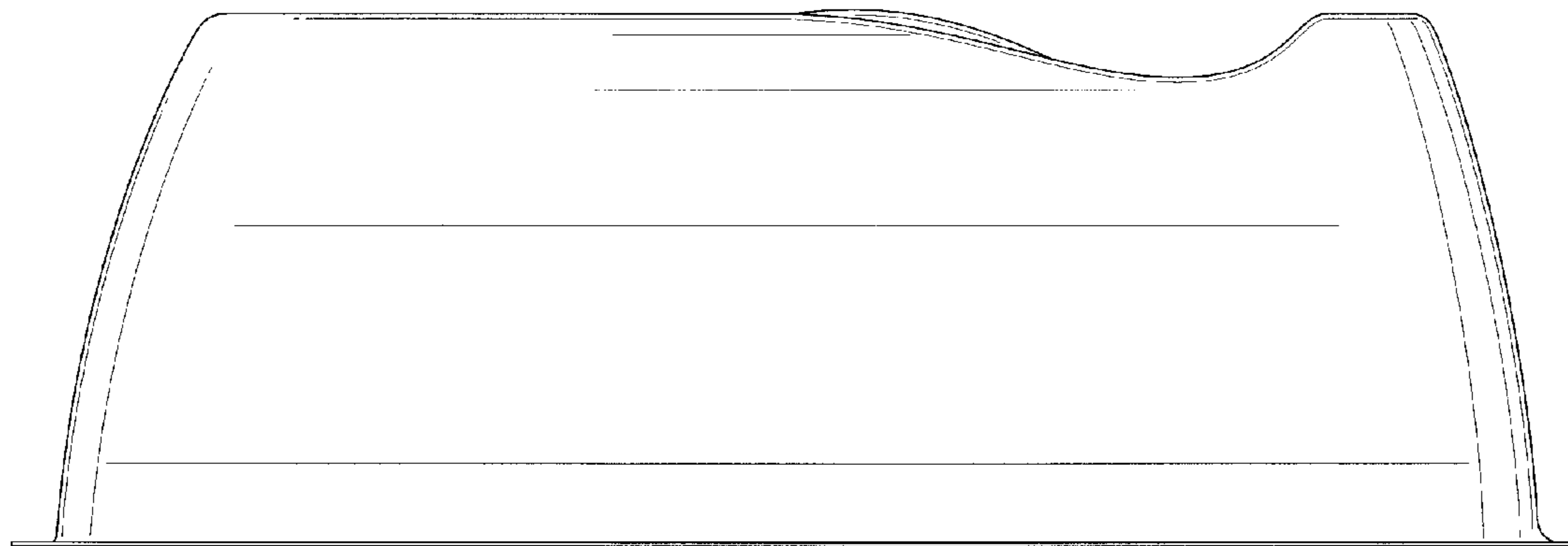
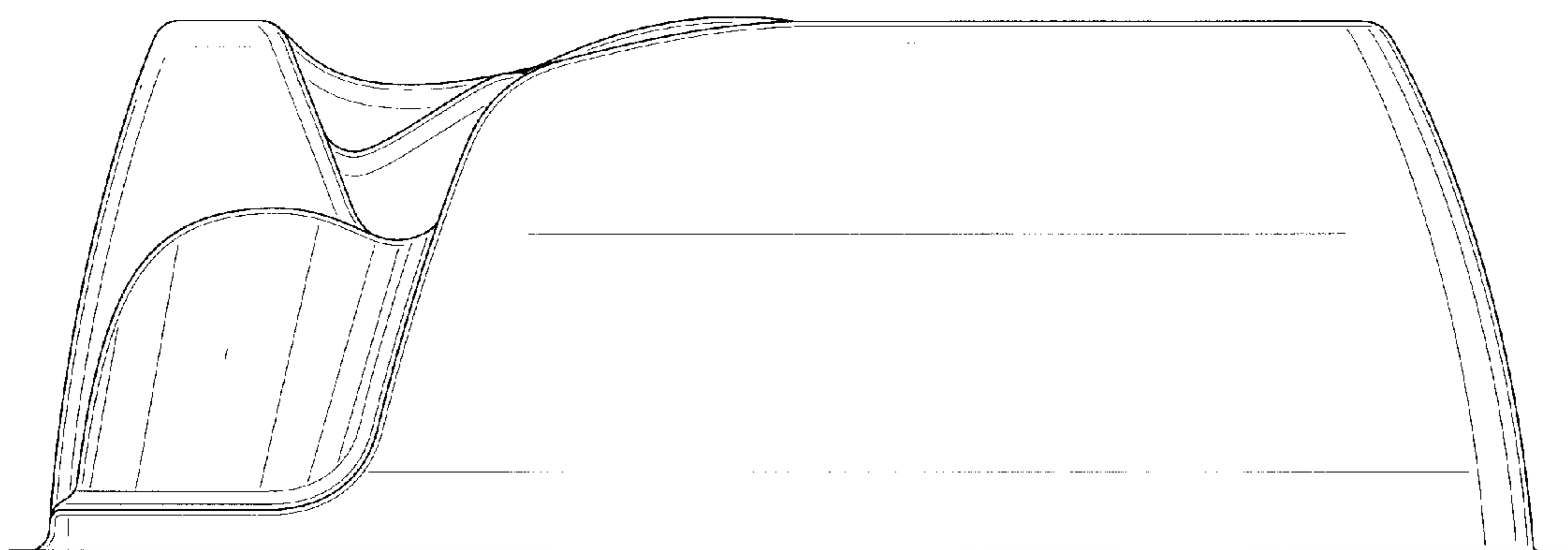


Figure 3



**Figure 4**



**Figure 5**

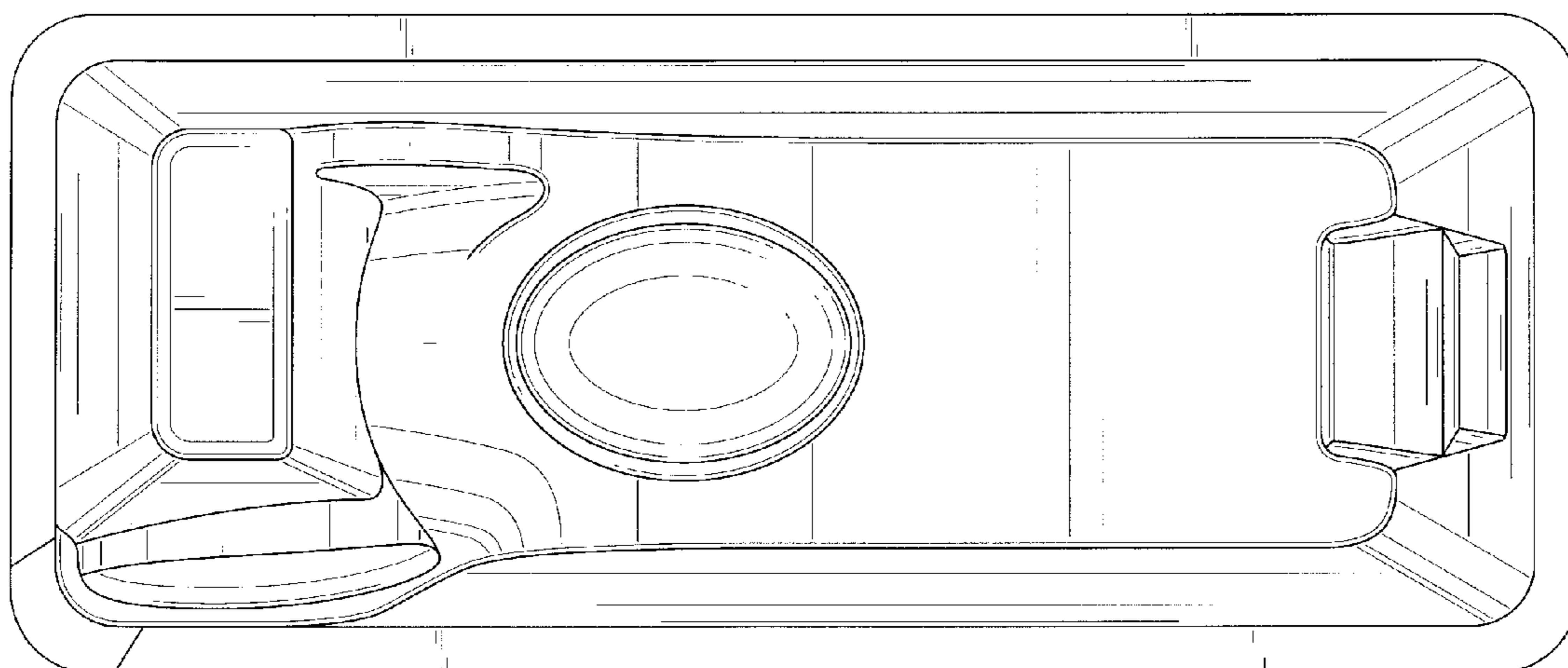


Figure 6

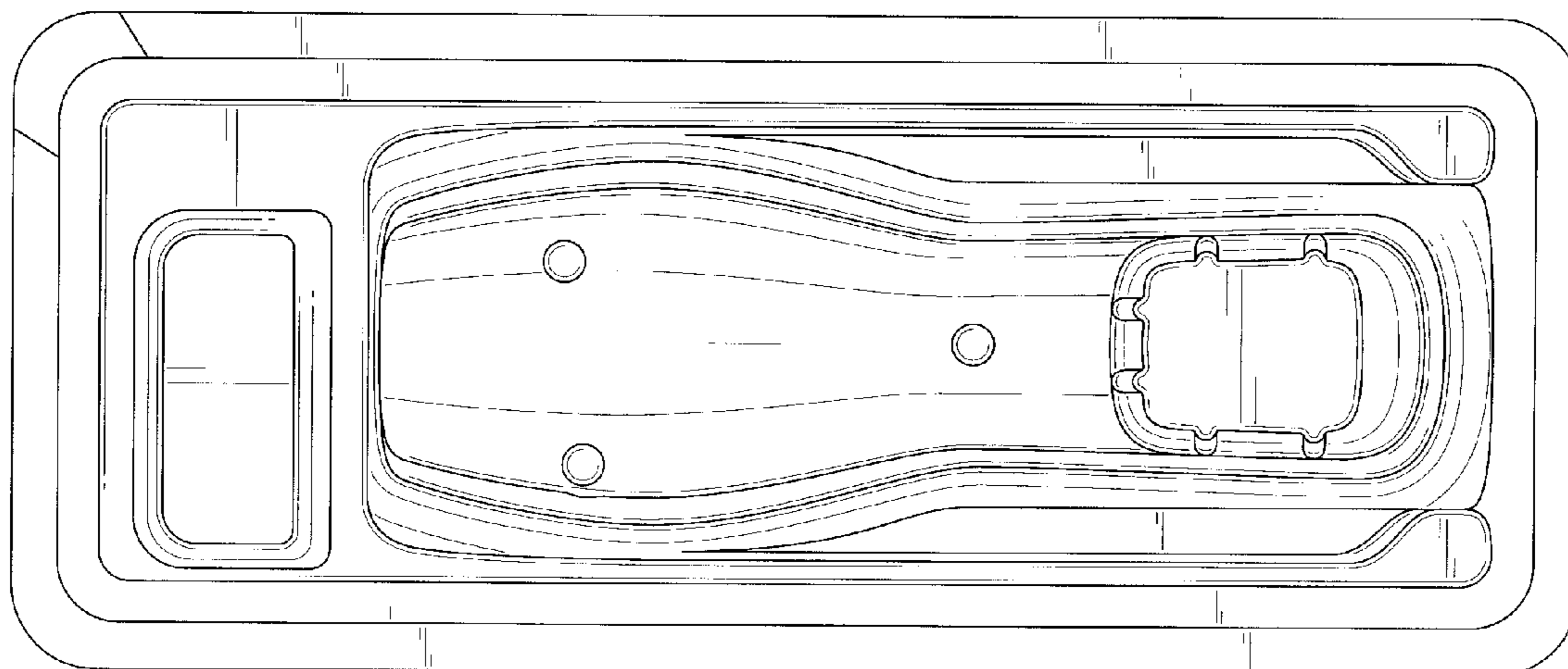


Figure 7