



US00D555469S

(12) **United States Design Patent**
Unger

(10) **Patent No.:** **US D555,469 S**

(45) **Date of Patent:** **** Nov. 20, 2007**

(54) **HUB STRUCTURE**

(75) Inventor: **Michael John Unger**, Bloomington, IL
(US)

(73) Assignee: **Dickson/Unigage, Inc.**, Addison, IL
(US)

(**) Term: **14 Years**

(21) Appl. No.: **29/246,812**

(22) Filed: **May 11, 2006**

(51) **LOC (8) Cl.** **08-08**

(52) **U.S. Cl.** **D8/382**

(58) **Field of Classification Search** D32/40;
15/145, 229.2; D8/382, 380; 411/458, 461;
52/480; D4/199

See application file for complete search history.

(56) **References Cited**

U.S. PATENT DOCUMENTS

D221,616 S *	8/1971	Hollander	D6/495
D443,501 S *	6/2001	Sleppy	D8/354
D452,424 S *	12/2001	Simpson, Sr.	D8/107
D455,640 S *	4/2002	Hansen	D8/352
D462,256 S *	9/2002	Jaynes	D8/382
D470,039 S *	2/2003	Pelc	D8/382
D504,061 S *	4/2005	Fisher et al.	D8/382

OTHER PUBLICATIONS

Drawing sheet containing Figure 4A and Figure 4B illustrating a hub and its association with a chart that was in use or on sale prior to May 11, 2005.

Drawing sheet containing Figure 5A and Figure 5B illustrating a hub and its association with a chart that was in use or on sale prior to May 11, 2005.

Drawing sheet containing Figure 6A and Figure 6B illustrating a hub and its association with a chart that was in use or on sale prior to May 11, 2005.

* cited by examiner

Primary Examiner—Holly H. Baynham

Assistant Examiner—Sheryl Friedman

(74) *Attorney, Agent, or Firm*—Fitch, Even, Tabin & Flannery

(57) **CLAIM**

The ornamental design for a hub structure, as shown and described.

DESCRIPTION

FIG. 1 is a perspective view of a hub structure in accordance with the invention.

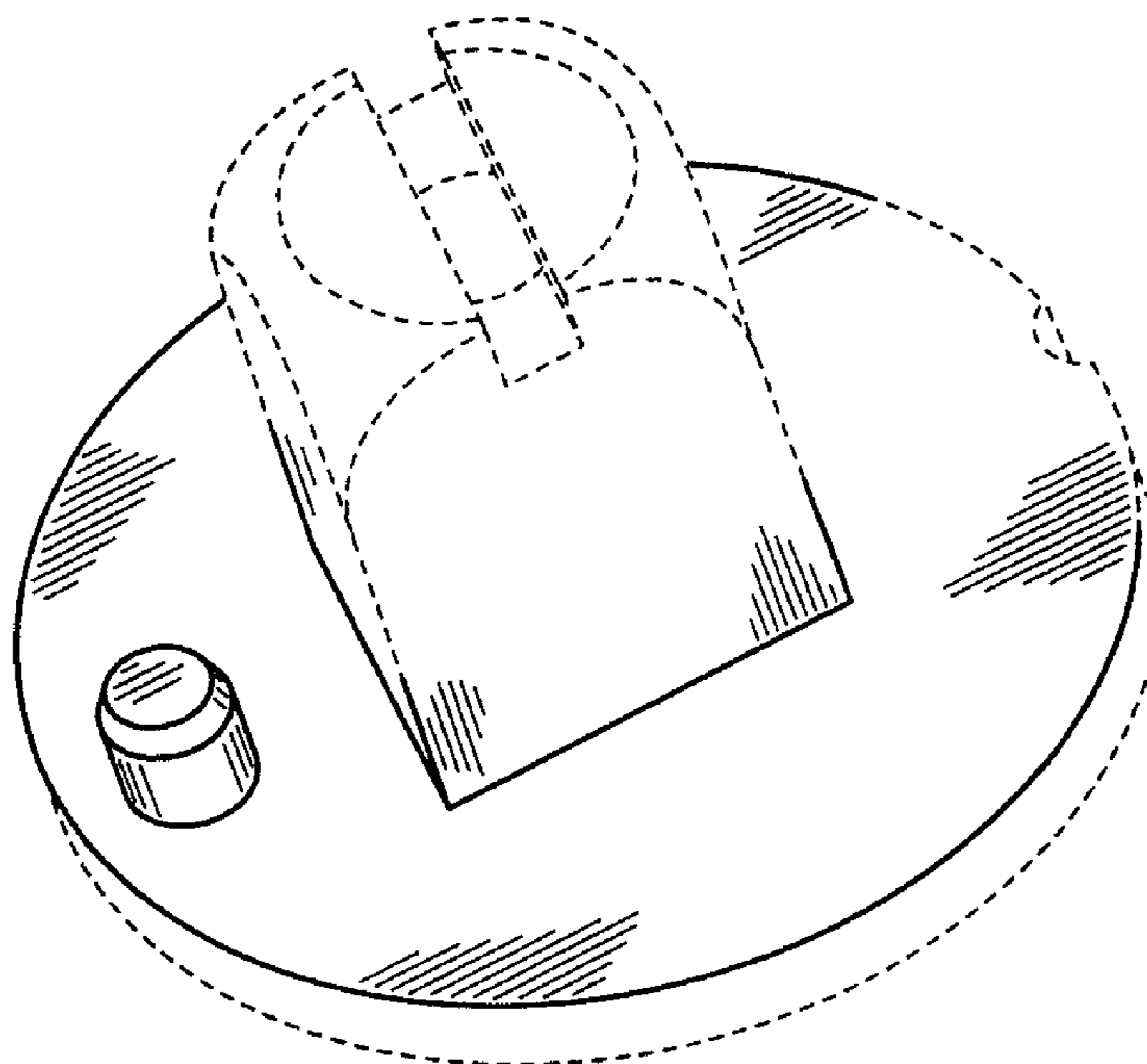
FIG. 2 is a front elevational view of the hub structure of FIG. 1;

FIG. 3 is a left side view of the hub structure of FIG. 1; and,

FIG. 4 is a top elevational view of the hub structure of FIG. 1.

The broken lines are included for the purpose of illustrating environmental structure and form no part of the claimed design.

1 Claim, 2 Drawing Sheets



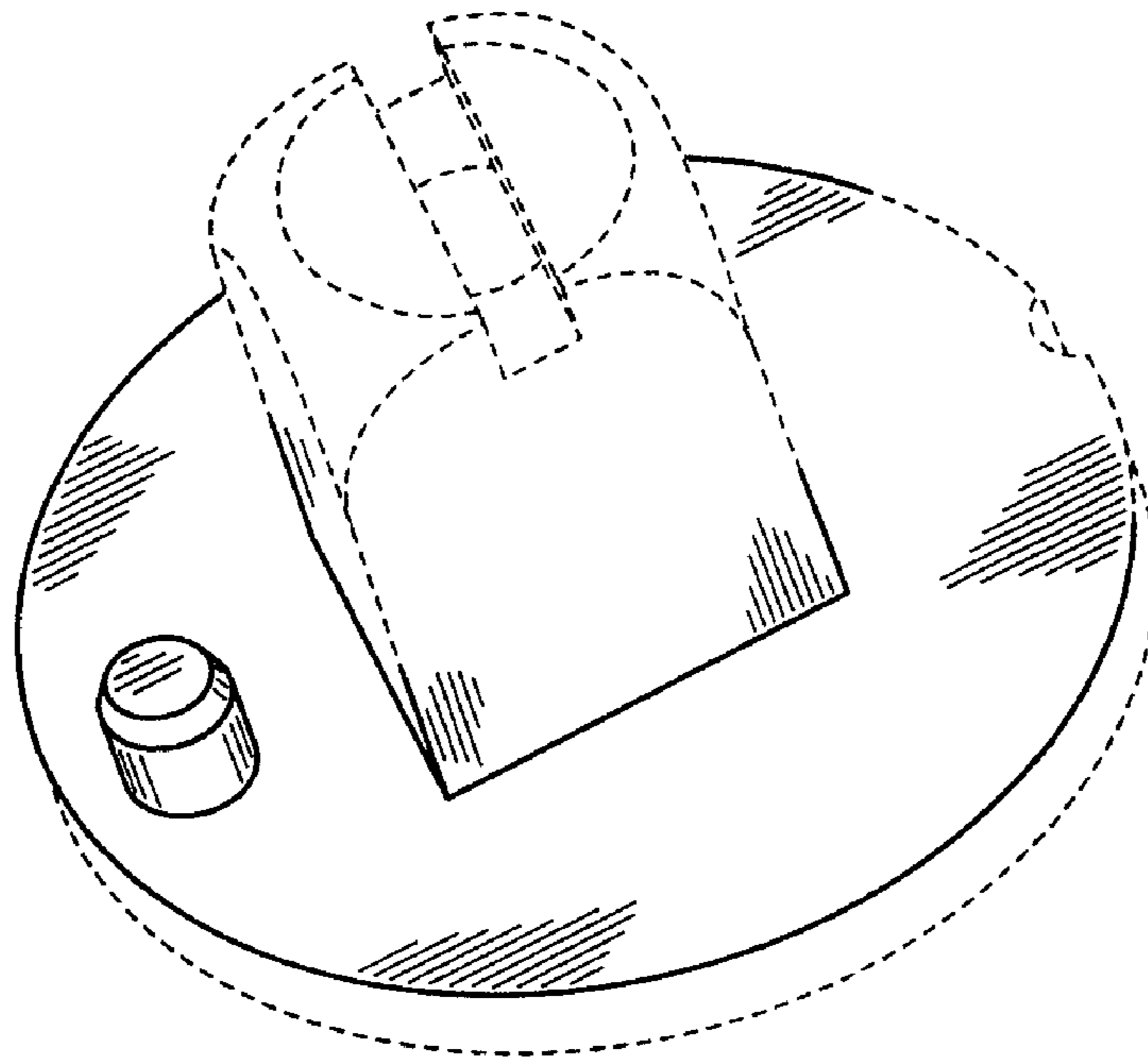


FIG. 1

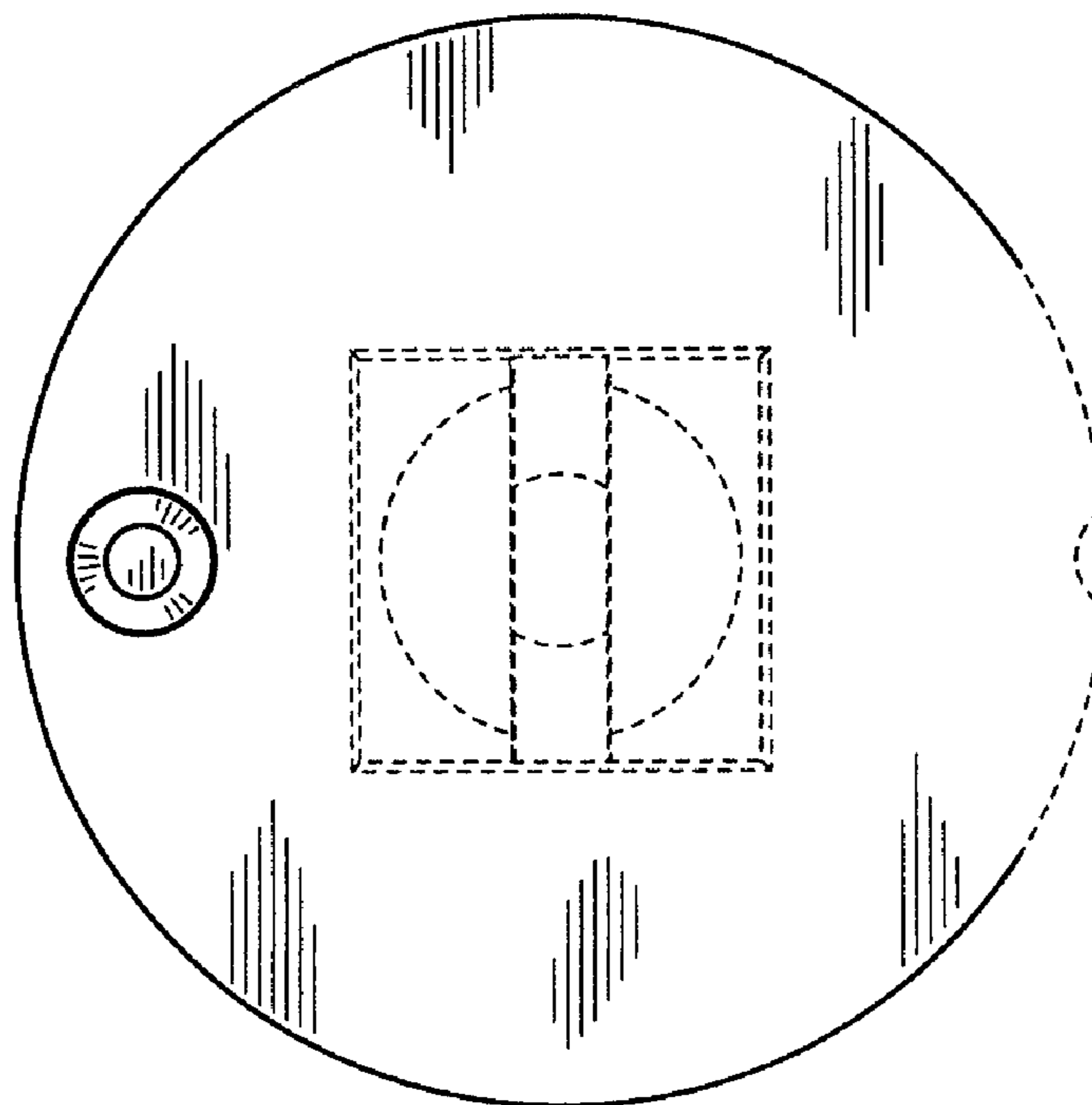


FIG. 2

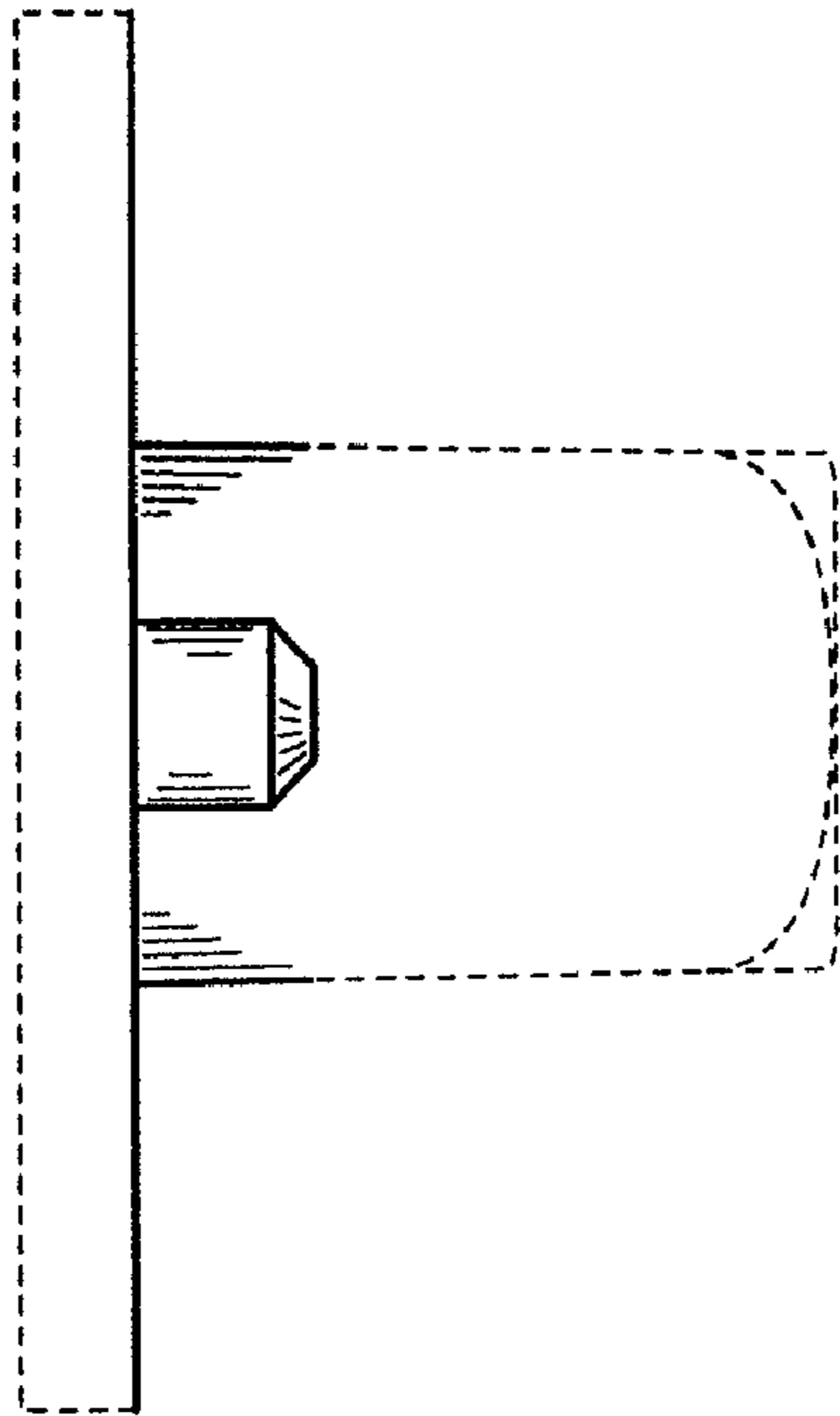


FIG. 3

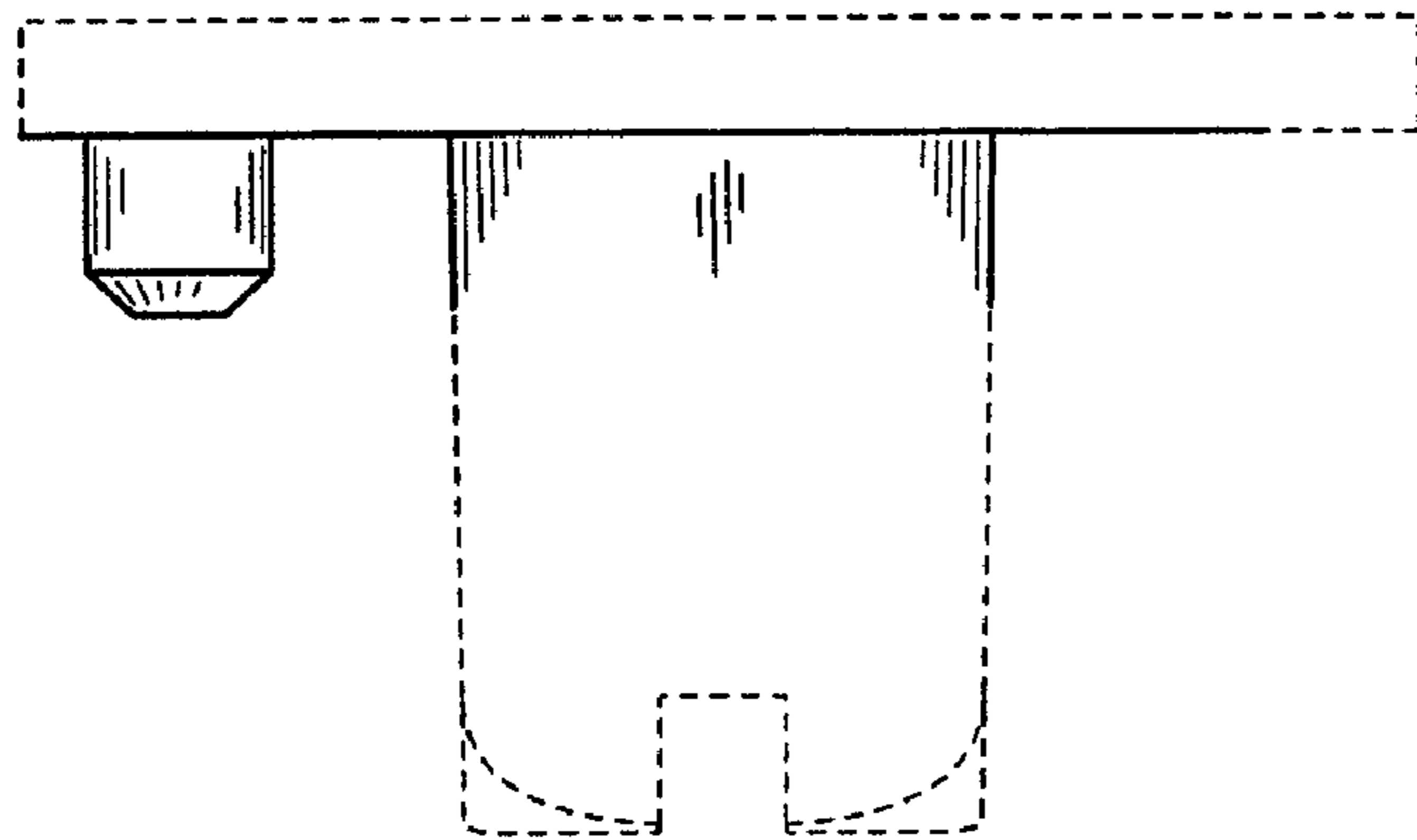


FIG. 4