



US00D555467S

(12) **United States Design Patent**  
**Pecoraro**

(10) **Patent No.:** **US D555,467 S**

(45) **Date of Patent:** **\*\* Nov. 20, 2007**

(54) **DOOR SUPPORTING BRACKET**

(76) Inventor: **Anthony Pecoraro**, 654 Matthew La.,  
San Marcos, CA (US) 92069

(\*\*) Term: **14 Years**

(21) Appl. No.: **29/257,609**

(22) Filed: **Apr. 7, 2006**

(51) **LOC (8) Cl.** ..... **08-05**

(52) **U.S. Cl.** ..... **D8/380**

(58) **Field of Classification Search** ..... D8/354,  
D8/349, 380; 248/122.1, 146

See application file for complete search history.

(56) **References Cited**

U.S. PATENT DOCUMENTS

- 2,814,321 A \* 11/1957 Haack ..... 269/203
- 4,513,934 A \* 4/1985 Pruyne ..... 248/49
- D297,502 S \* 9/1988 Archambeau ..... D8/71
- 5,072,901 A \* 12/1991 Scott ..... 248/49
- D371,505 S \* 7/1996 Young ..... D8/349
- D485,160 S \* 1/2004 Pelc ..... D8/382

D521,851 S \* 5/2006 Smart ..... D8/354  
7,040,584 B2 \* 5/2006 Welland et al. .... 248/146

\* cited by examiner

*Primary Examiner*—Holly H Baynham

(57) **CLAIM**

The ornamental design for a door supporting bracket, as shown and described.

**DESCRIPTION**

FIG. 1 is an environmental, perspective view of a door supporting bracket;

FIG. 2 is a perspective view thereof;

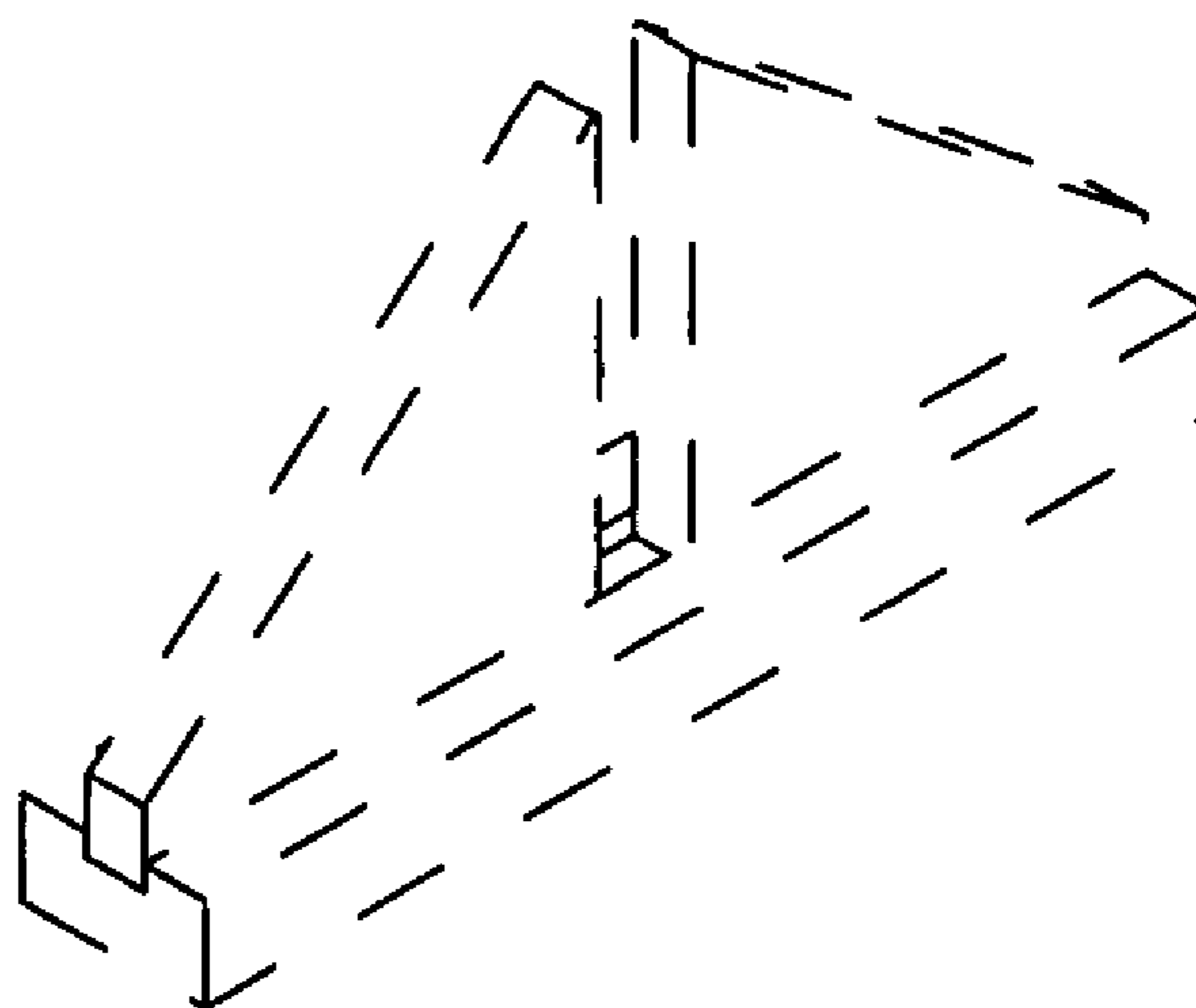
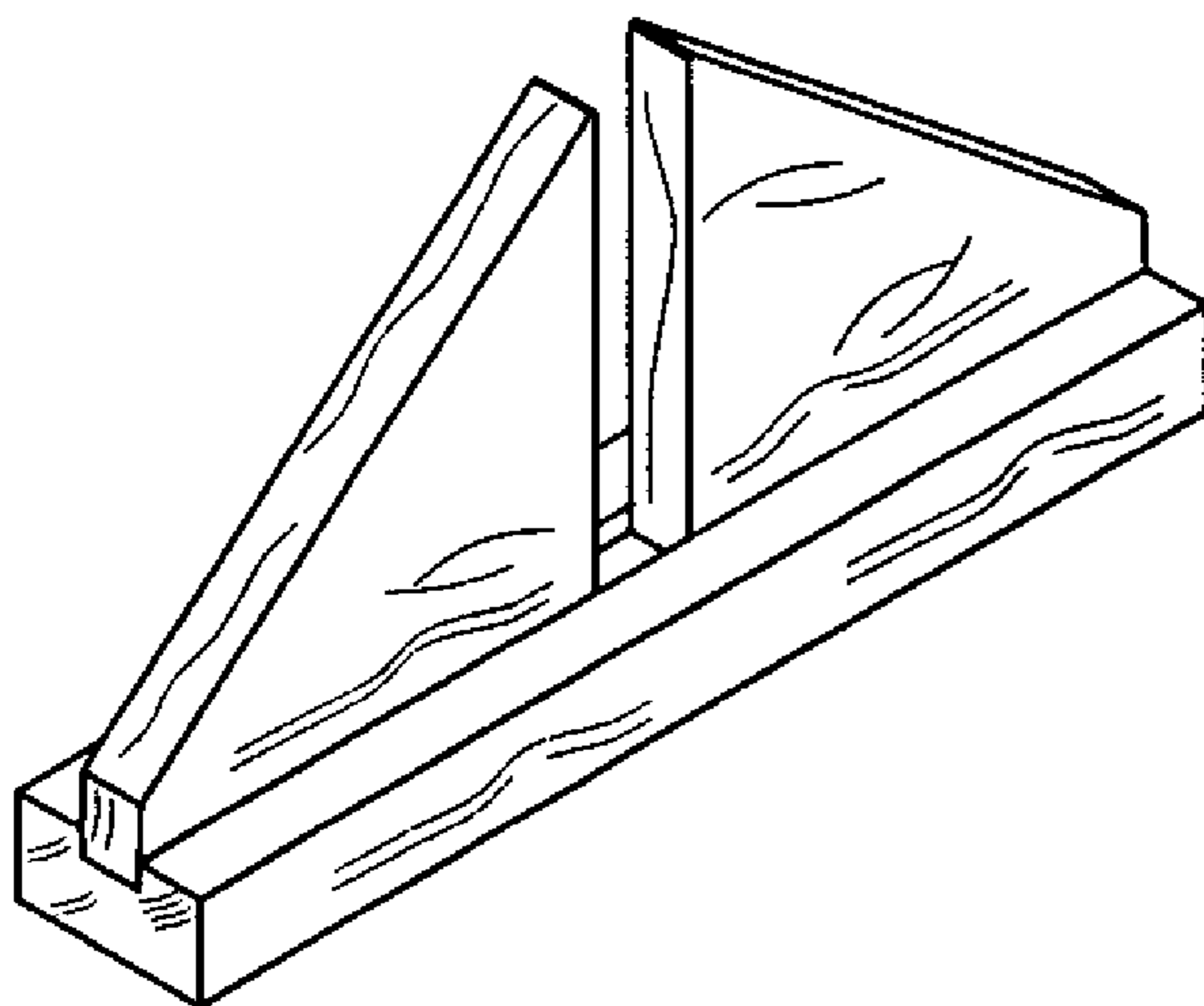
FIG. 3 is a front elevational view of the present invention;

FIG. 4 is a side elevational view of FIG. 3; and,

FIG. 5 is a top plan view of FIG. 3.

The broken line showing is included for the purpose of illustrating environment and forms no part of the claimed design.

**1 Claim, 3 Drawing Sheets**



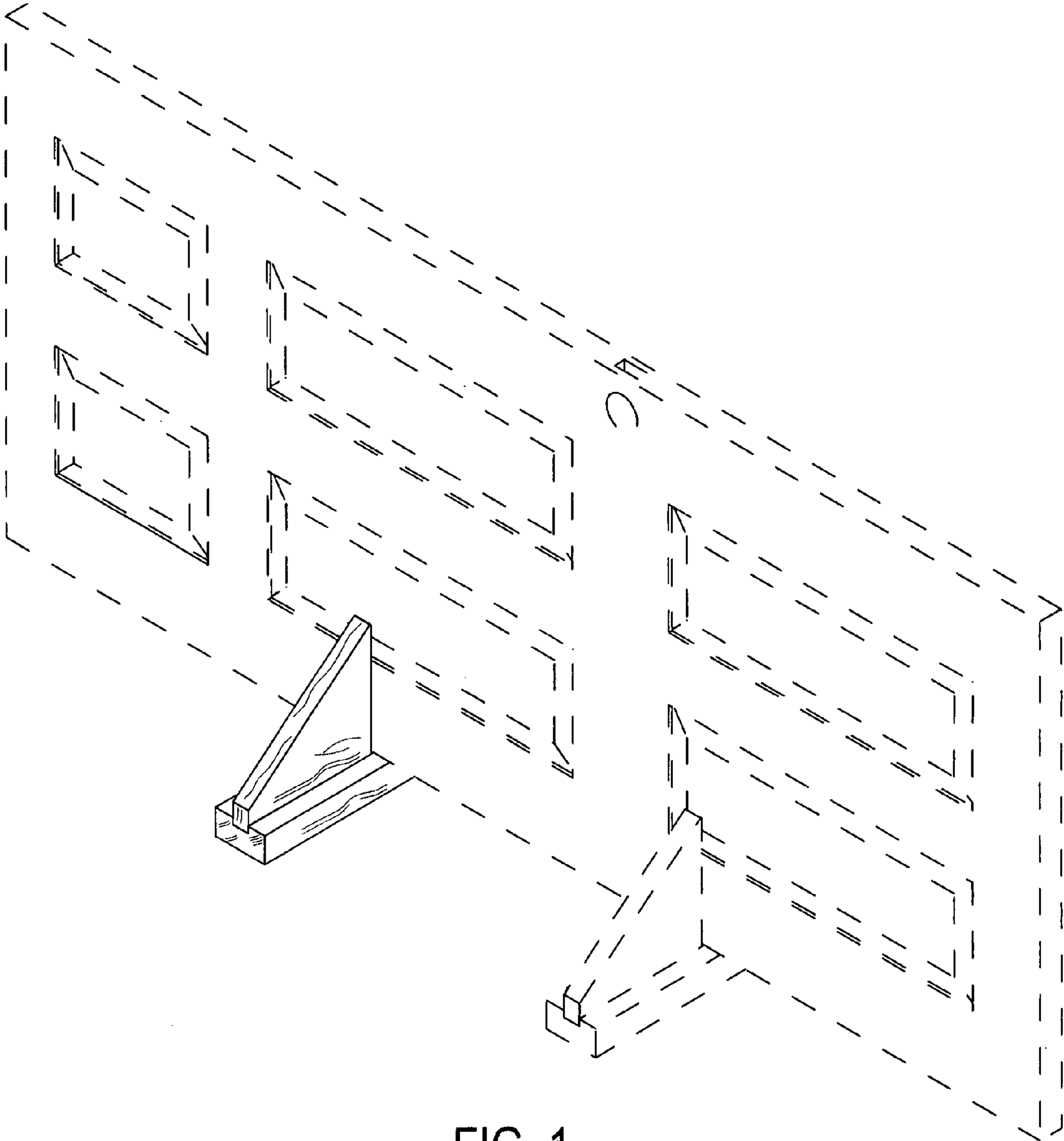


FIG. 1

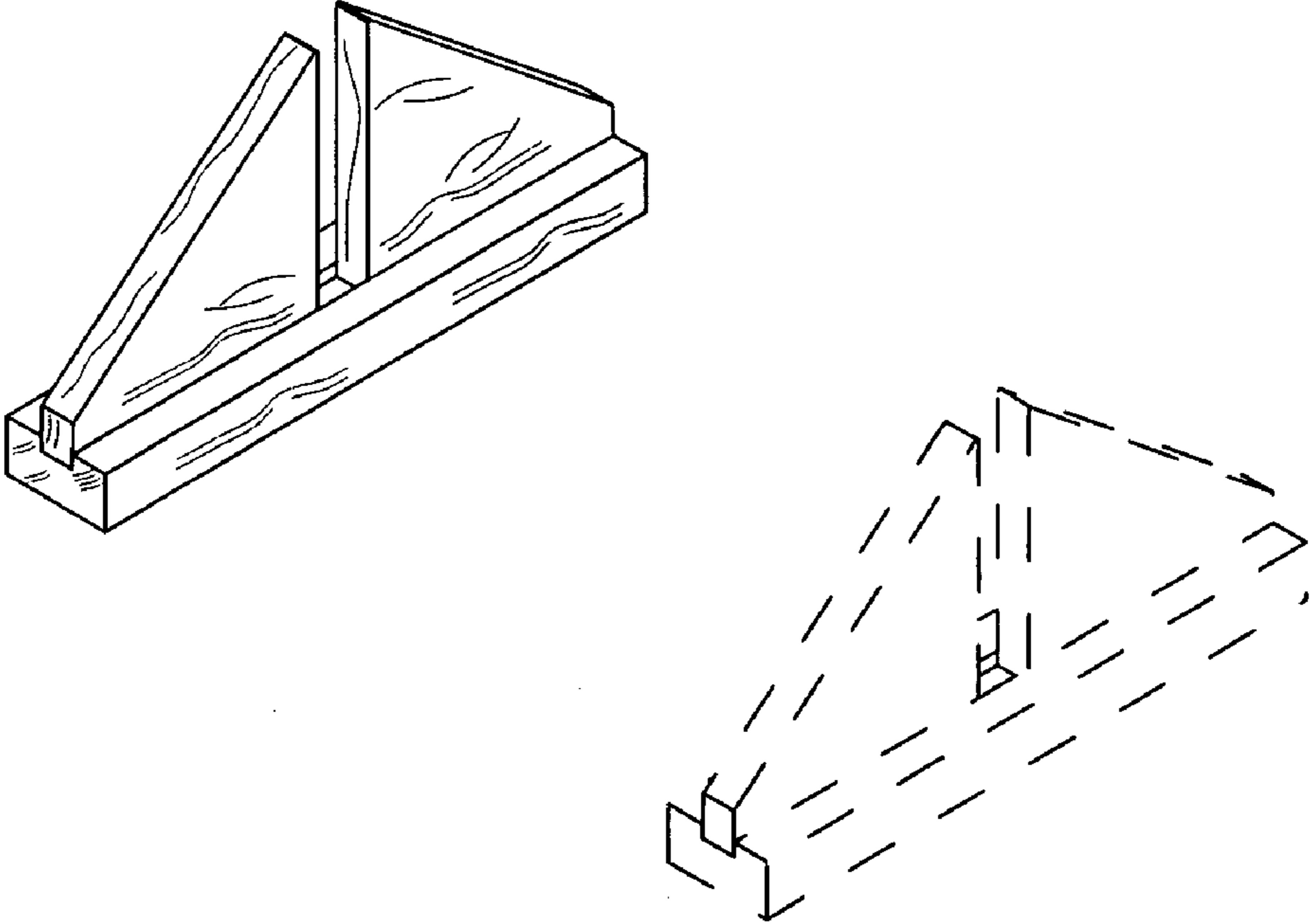


FIG. 2

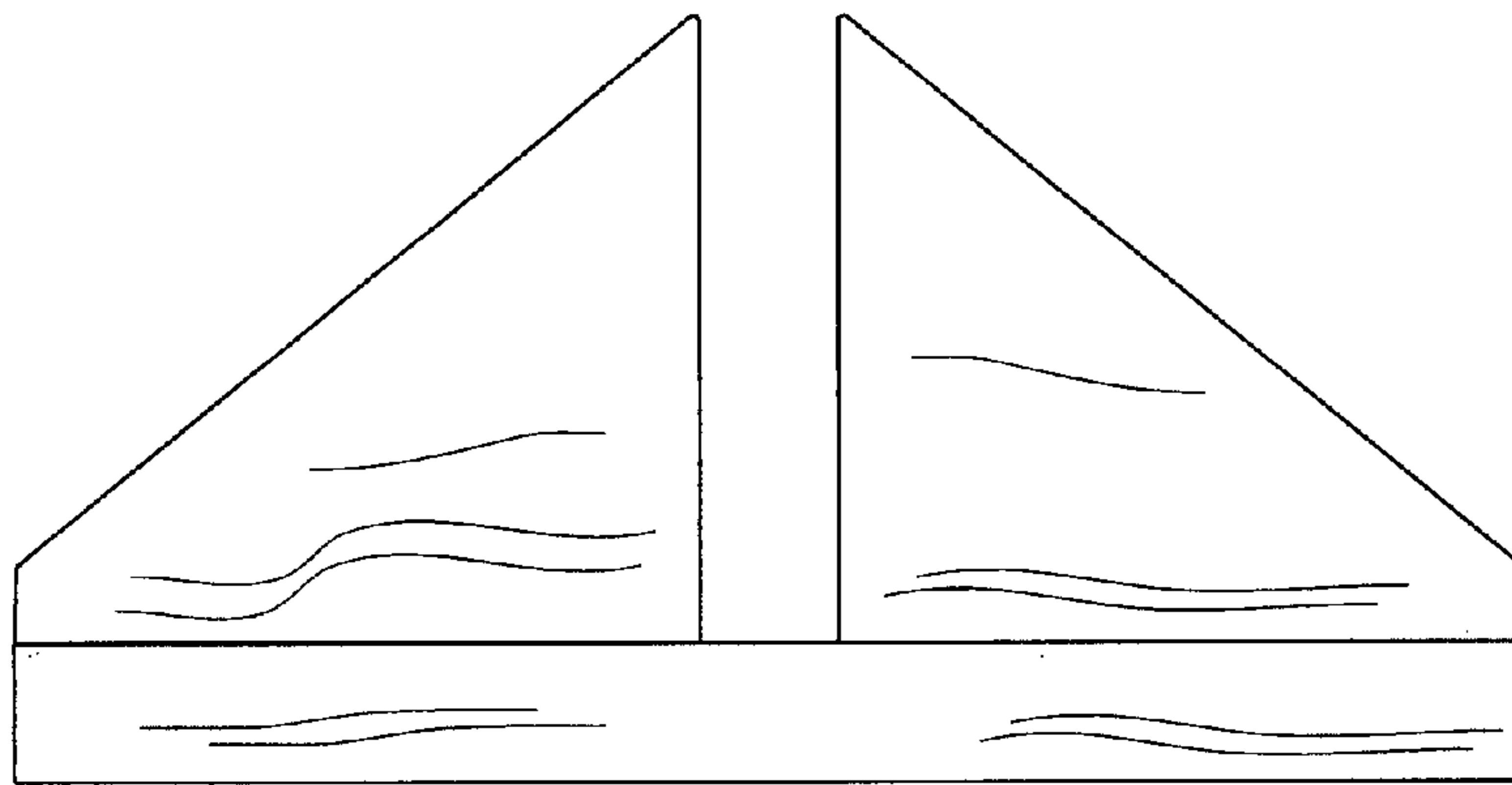


FIG. 3

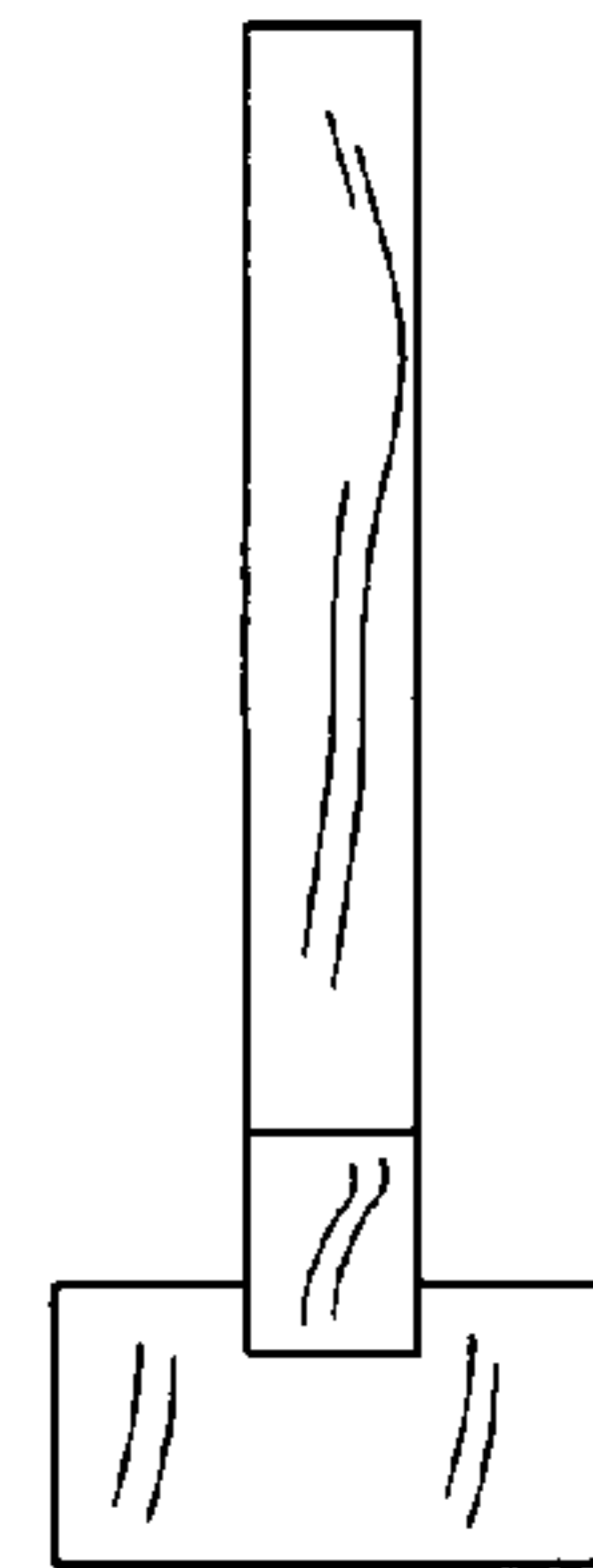


FIG. 4

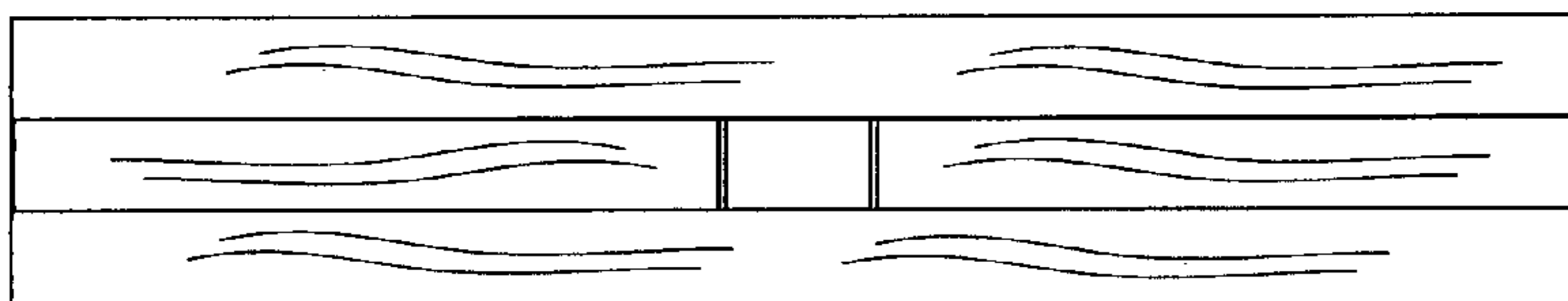


FIG. 5