

US00D555465S

(12) **United States Design Patent**
Downing et al.

(10) **Patent No.:** **US D555,465 S**

(45) **Date of Patent:** **** Nov. 20, 2007**

(54) **HANGER PLUG**

2006/0289714 A1* 12/2006 Boklund-Moran 248/339

(75) Inventors: **Mark Downing**, Schaumburg, IL (US);
Robert Kempf, Charlotte, NC (US)

* cited by examiner

(73) Assignee: **Illinois Tool Works Inc**, Glenview, IL (US)

Primary Examiner—Holly H. Baynham

(74) *Attorney, Agent, or Firm*—Mark W. Croll; Paul F. Donovan

(**) Term: **14 Years**

(57) **CLAIM**

(21) Appl. No.: **29/253,483**

The ornamental design for a hanger plug, as shown and described.

(22) Filed: **Feb. 7, 2006**

DESCRIPTION

(51) **LOC (8) Cl.** **08-05**

FIG. 1 is a perspective view of a hanger plug showing the new design;

(52) **U.S. Cl.** **D8/373**

(58) **Field of Classification Search** D8/373,
D8/499; 248/339

FIG. 2 is a side view thereof; and,

FIG. 3 is a top view thereof.

See application file for complete search history.

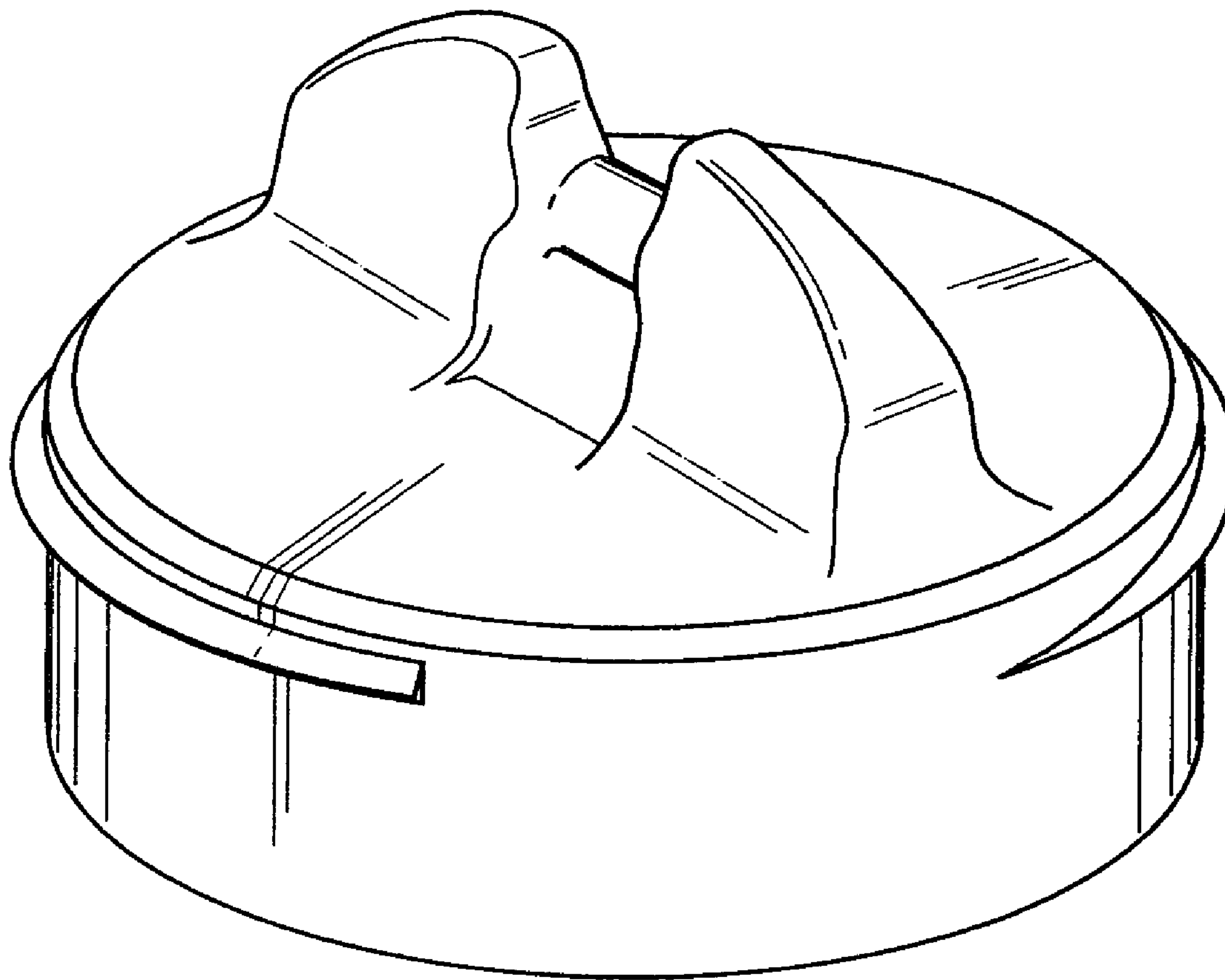
The broken line portions of the disclosure are for illustrative purposes only and form no part of the claimed design. The bottom of the hanger plug is generally hidden from view and, therefore, not shown.

(56) **References Cited**

U.S. PATENT DOCUMENTS

- D28,860 S * 6/1898 Ives D8/499
- D368,850 S * 4/1996 Coppedge et al. D8/373

1 Claim, 3 Drawing Sheets



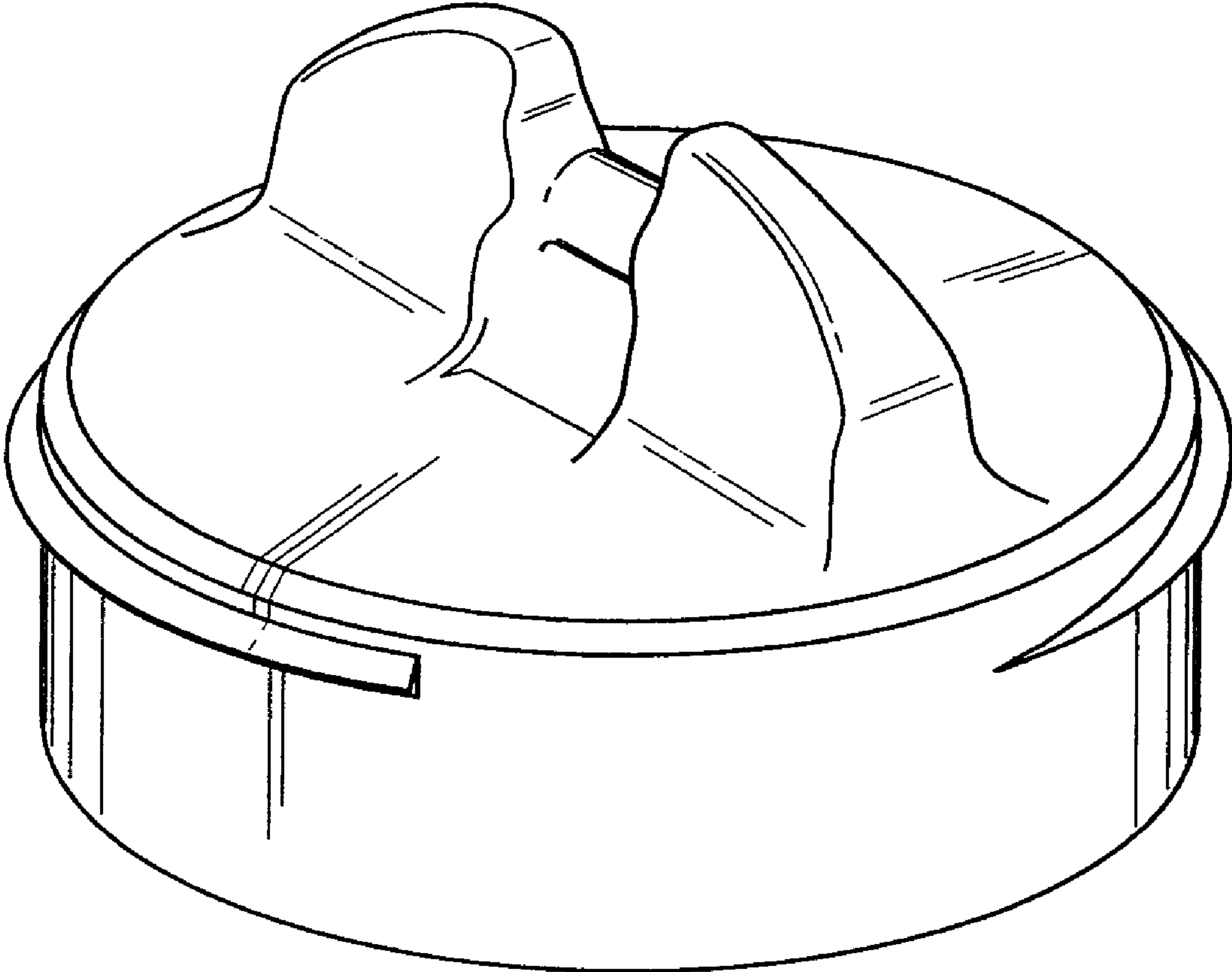


Fig. 1

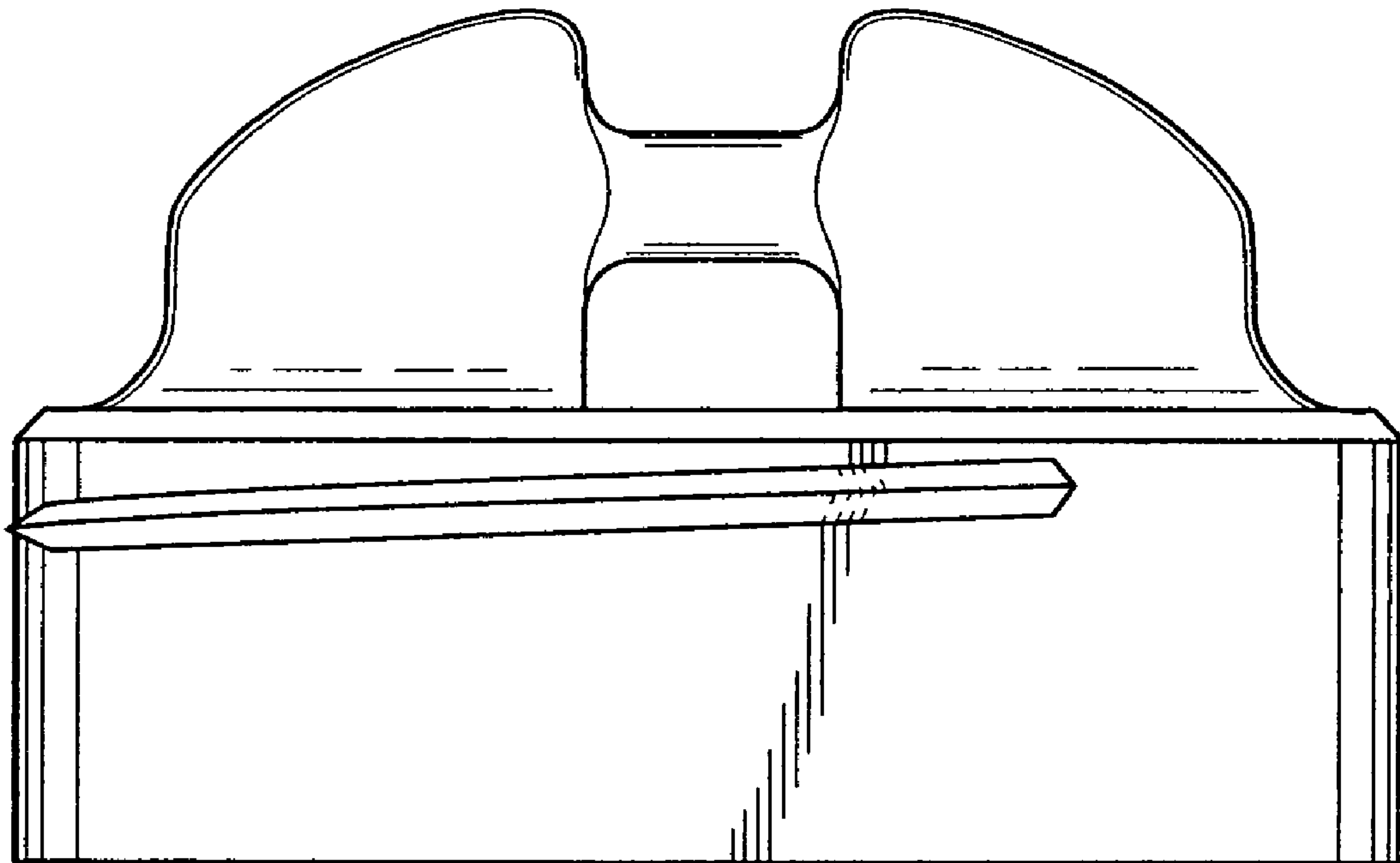


Fig. 2

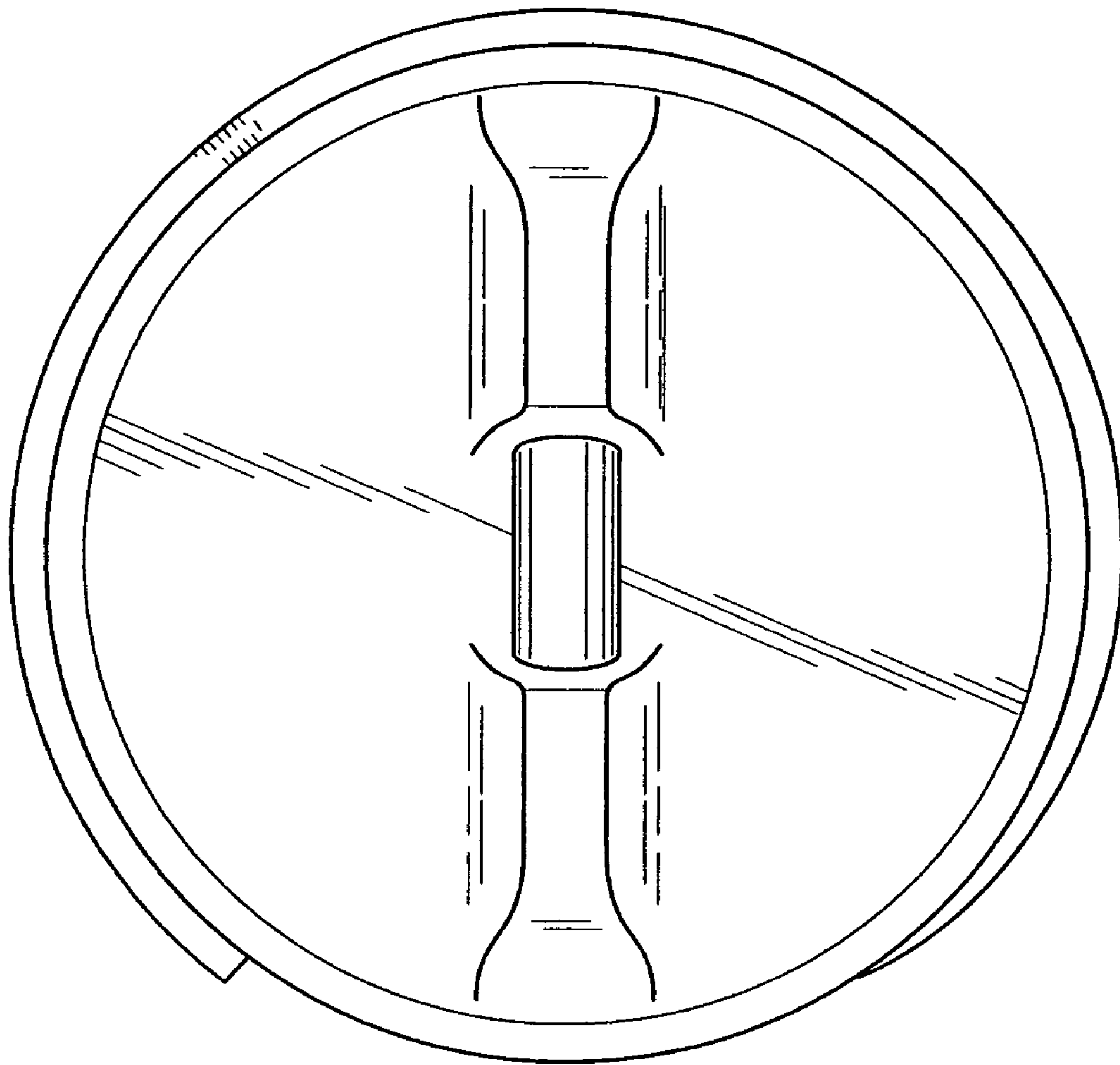


Fig. 3