



US00D555462S

(12) **United States Design Patent**
Moffitt et al.

(10) **Patent No.: US D555,462 S**

(45) **Date of Patent: ** Nov. 20, 2007**

(54) **DUAL ARM PEGBOARD HOOK**

(75) Inventors: **Heather S. Moffitt**, Richlandtown, PA
(US); **John Paul Prego**, Ottsville, PA
(US)

(73) Assignee: **Dorman Products, Inc.**, Colmar, PA
(US)

(**) Term: **14 Years**

(21) Appl. No.: **29/262,049**

(22) Filed: **Jun. 26, 2006**

(51) **LOC (8) Cl. 08-05**

(52) **U.S. Cl. D8/370**

(58) **Field of Classification Search** D8/356,
D8/367, 370, 373; D6/566, 574; 211/85.31;
241/245; 248/99, 220, 41; 279/5; 294/93
See application file for complete search history.

(56) **References Cited**

U.S. PATENT DOCUMENTS

27,018	A *	1/1860	Loughridge	279/5
30,817	A *	12/1860	Hart	241/245
1,214,761	A *	2/1917	Craig	248/99
1,760,752	A *	5/1930	Happer	248/99
2,505,289	A *	4/1950	Haslett	294/93
D213,451	S *	3/1969	White	D8/373
D242,409	S *	11/1976	Enckler	D8/373
D265,615	S *	8/1982	Virte et al.	D6/574
D281,221	S *	11/1985	Edmiston	D8/356
D297,293	S *	8/1988	Fagan	D6/566
D300,804	S *	4/1989	Myers	D8/373
D315,670	S *	3/1991	Shirley	D8/373
D322,388	S *	12/1991	Hoskinson et al.	D8/370

D325,488	S *	4/1992	Sheriff	D6/566
5,180,128	A *	1/1993	Massey	248/220.41
D345,298	S *	3/1994	Rosenthal	D8/373
D374,604	S *	10/1996	Hnatowicz et al.	D8/373
D396,405	S *	7/1998	Zaccardelli	D8/373
6,655,537	B1 *	12/2003	Lang et al.	211/85.31
D510,258	S *	10/2005	Glass et al.	D8/373
D516,899	S *	3/2006	Anderson et al.	D8/367
D543,441	S *	5/2007	Hall	D8/367
D545,669	S *	7/2007	Hall	D8/367

OTHER PUBLICATIONS

The Home Depot "You Can Do It We Can Help"
Advertisement—May 11, 2006.

* cited by examiner

Primary Examiner—T. Chase Nelson

Assistant Examiner—Barbara Blanton Lohr

(74) *Attorney, Agent, or Firm*—Volpe and Koenig, P.C.

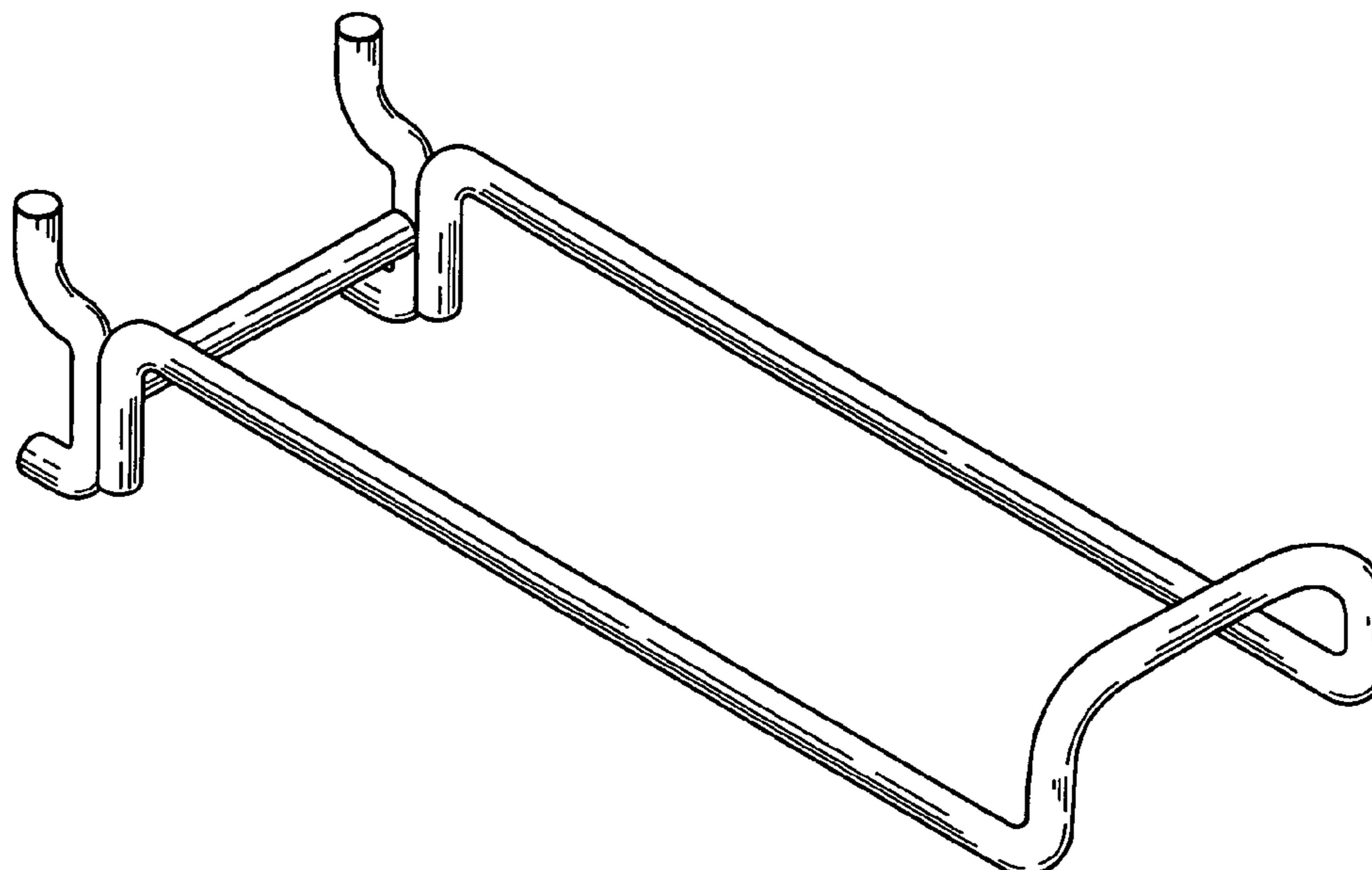
(57) **CLAIM**

The ornamental design for dual arm pegboard hook, as shown and described.

DESCRIPTION

FIG. 1 is a perspective view of a dual arm pegboard hook; FIG. 2 is a rear elevation of the invention of FIG. 1, the front elevation being the mirror image thereof; FIG. 3 is a left side elevation of the invention of FIG. 1; FIG. 4 is a right side elevation of the invention of FIG. 1; FIG. 5 is a top plan of the invention of FIG. 1; and, FIG. 6 is a bottom plan of the invention of FIG. 1.

1 Claim, 2 Drawing Sheets



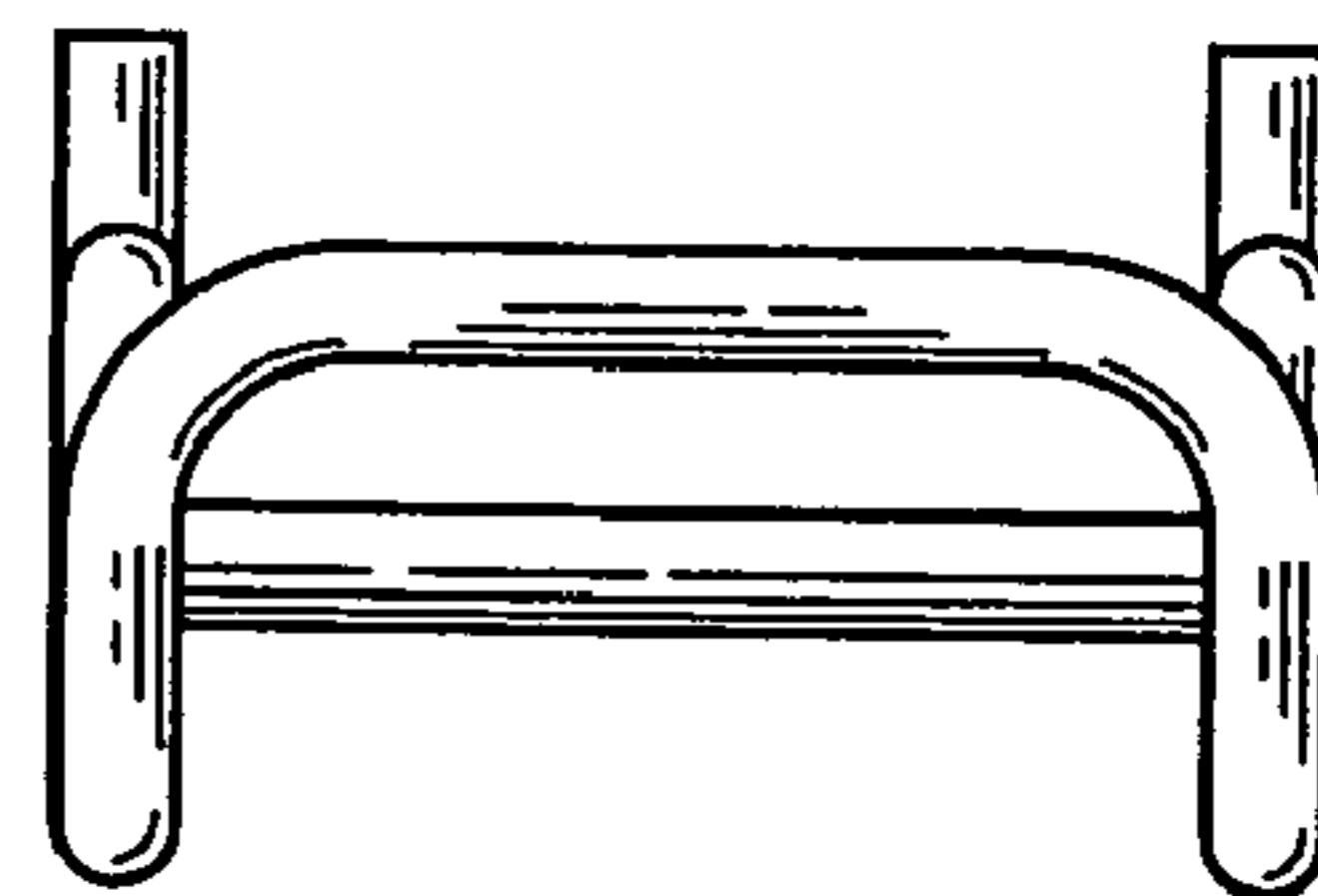
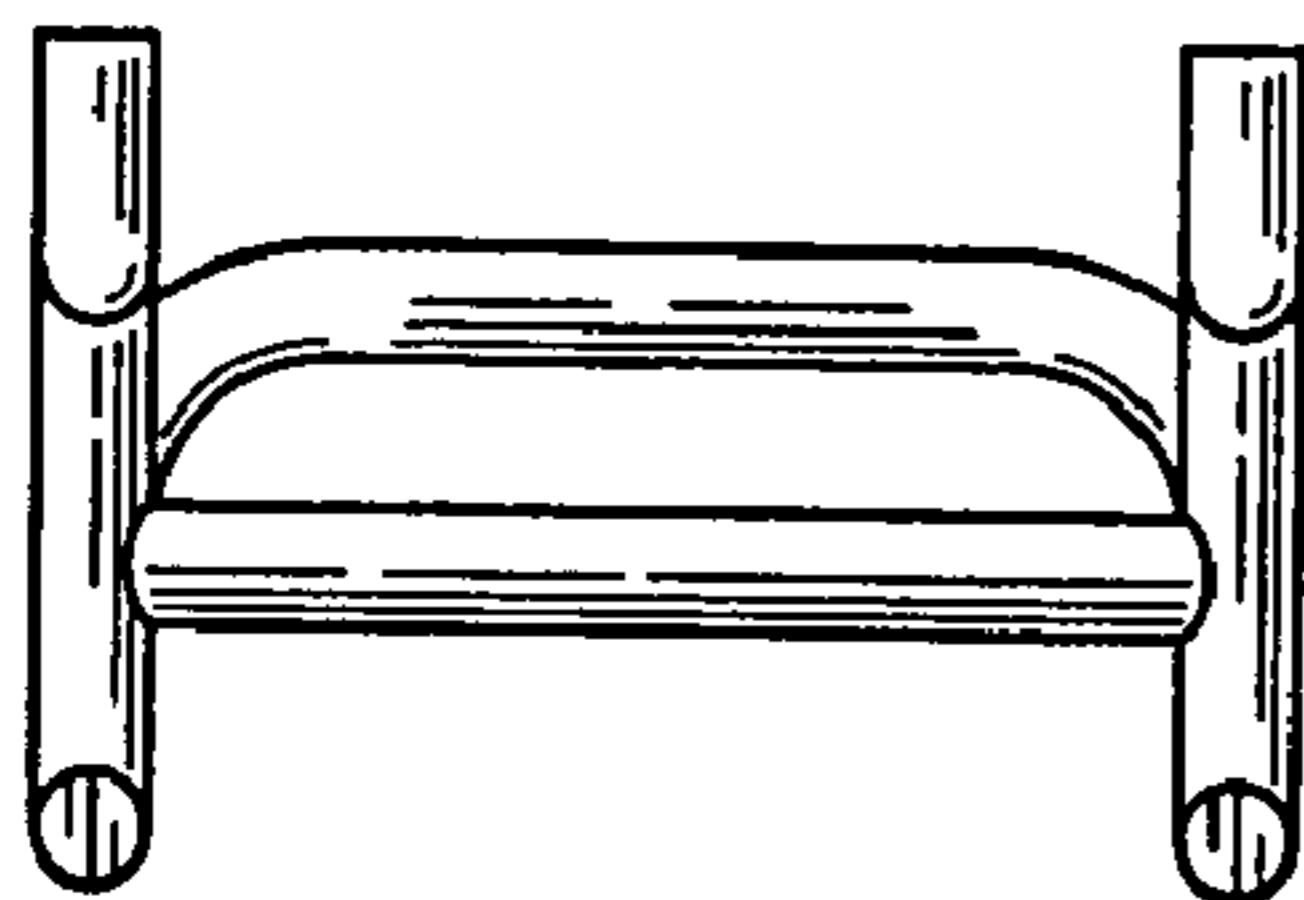
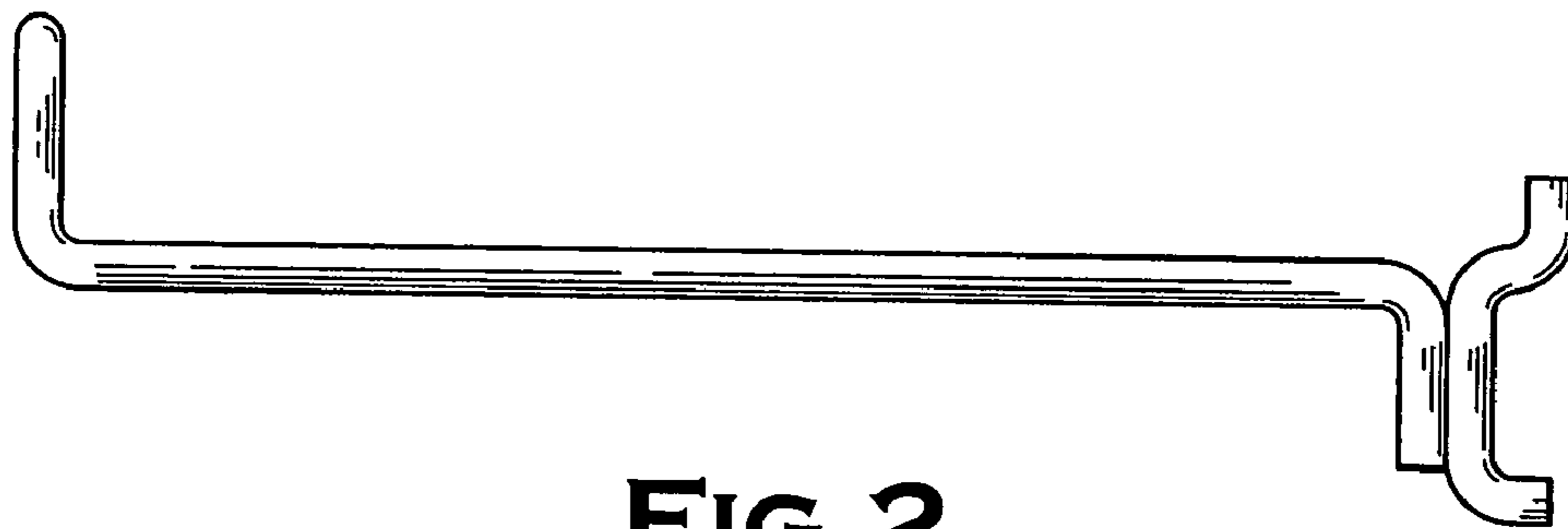
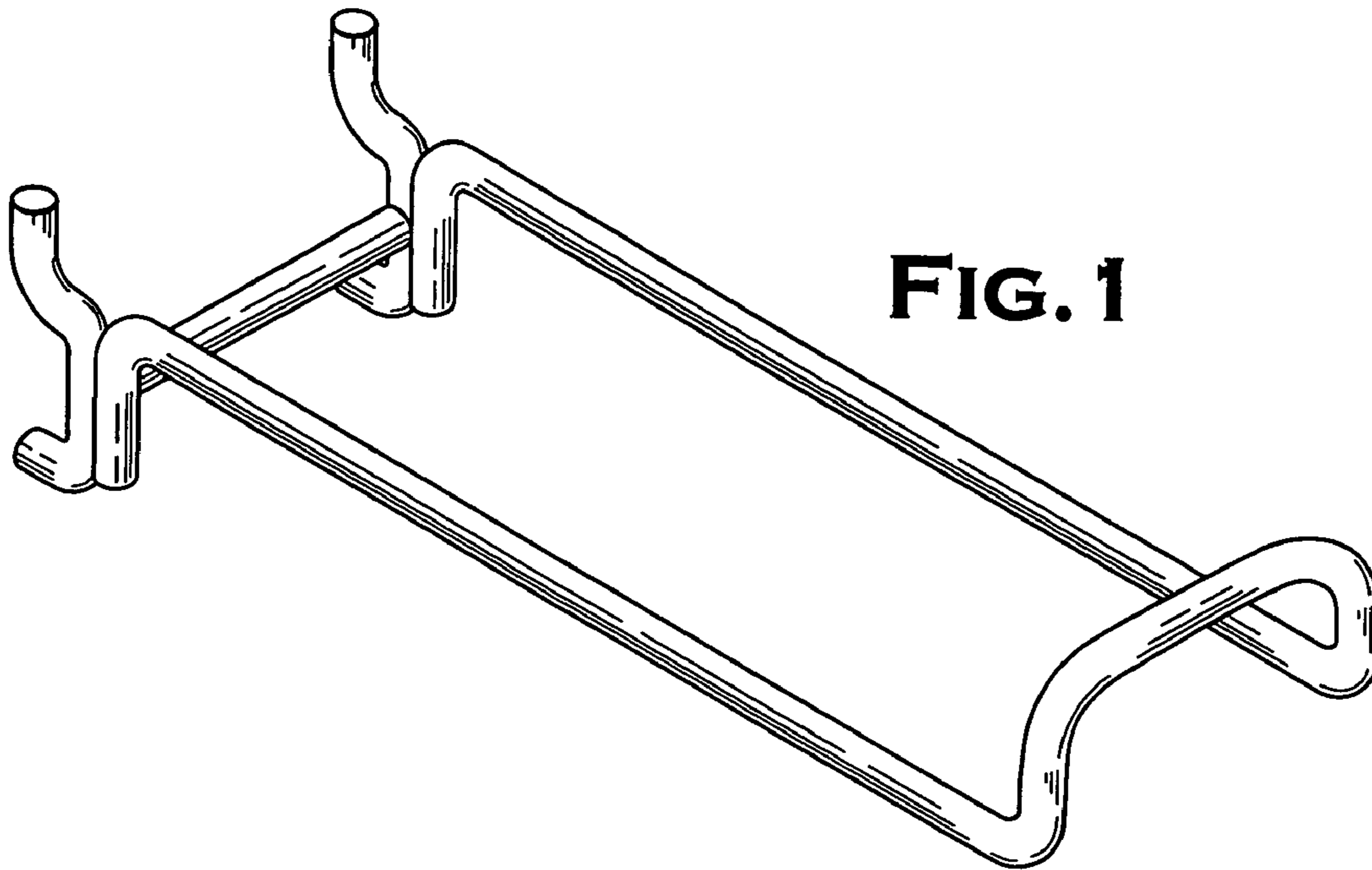


FIG.5

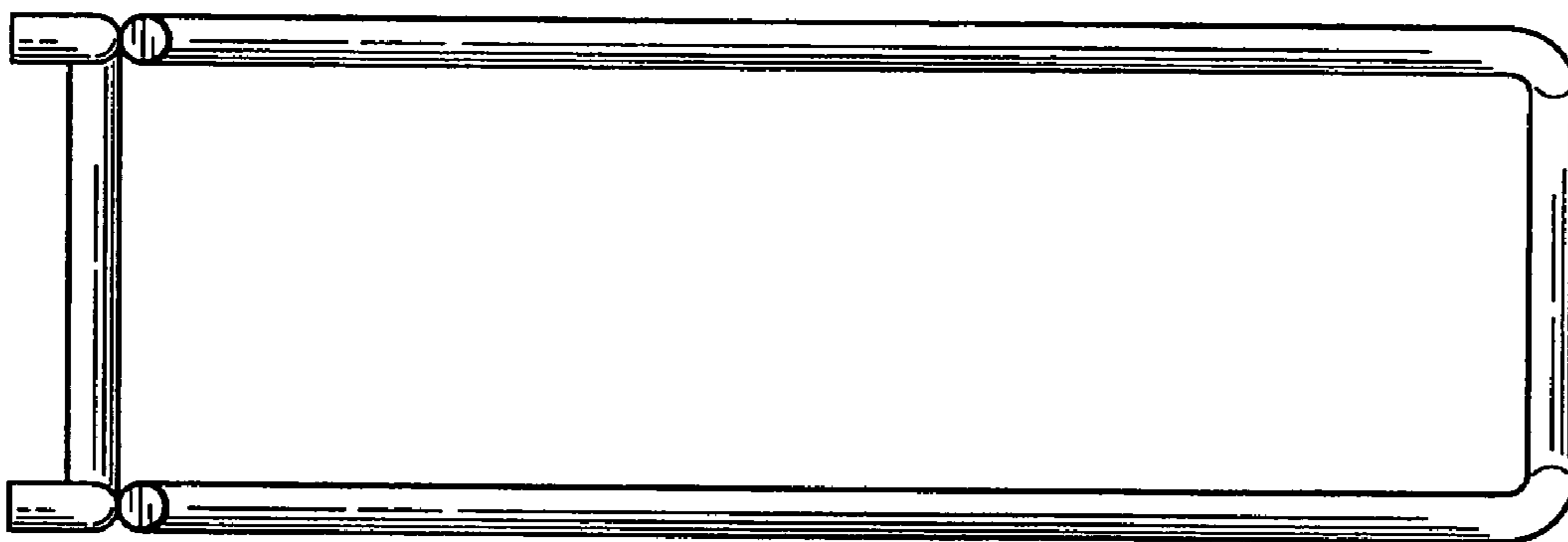
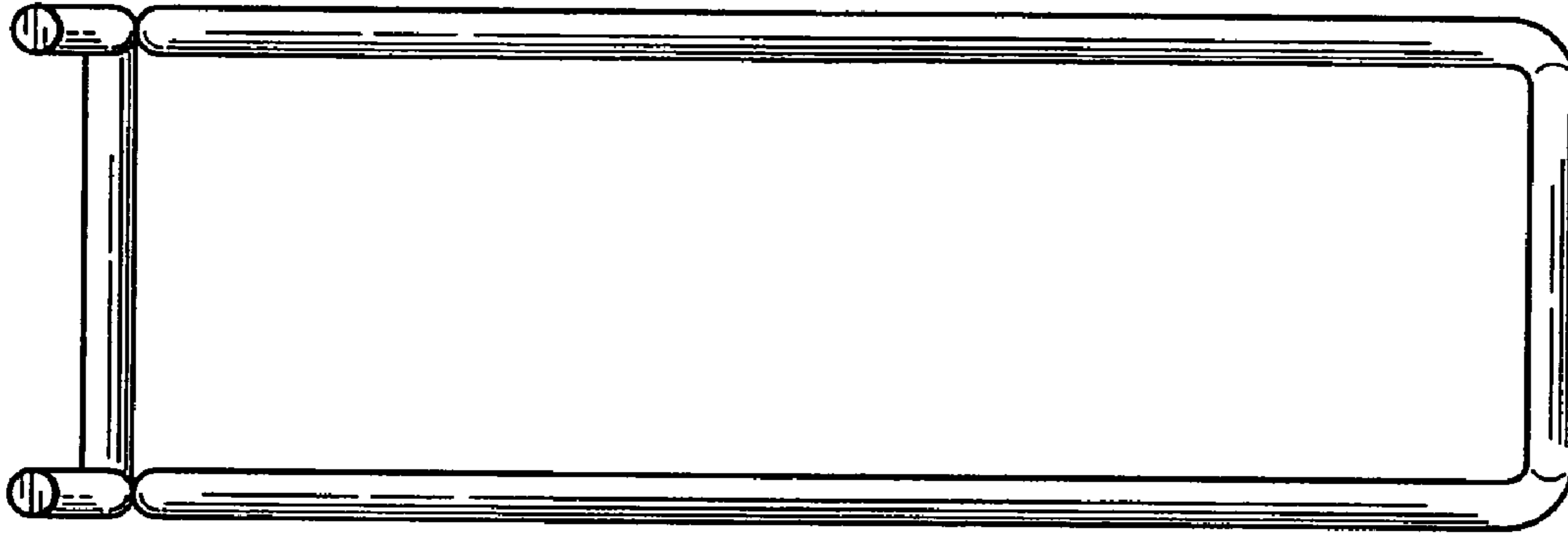


FIG.6