



US00D555461S

(12) **United States Design Patent**
Tincher

(10) **Patent No.:** **US D555,461 S**

(45) **Date of Patent:** **** Nov. 20, 2007**

(54) **DRUM STICK HOLDER**

D427,956 S * 7/2000 Capek et al. D12/180
D481,891 S * 11/2003 Gibbens D6/504

(76) Inventor: **Sid Tincher**, 2404 35th Ave. South,
Minneapolis, MN (US) 55406

* cited by examiner

(**) Term: **14 Years**

Primary Examiner—Holly H. Baynham
(74) *Attorney, Agent, or Firm*—Fredrikson & Byron, PA

(21) Appl. No.: **29/251,973**

(57) **CLAIM**

(22) Filed: **Jan. 17, 2006**

I claim the ornamental design for the drum stick holder, as shown and described.

(51) **LOC (8) Cl.** **08-05**

(52) **U.S. Cl.** **D8/370**

(58) **Field of Classification Search** D8/370;
D17/22; 248/302–303, 276.1; 84/329
See application file for complete search history.

DESCRIPTION

(56) **References Cited**

U.S. PATENT DOCUMENTS

D26,328 S * 11/1896 Diall D8/363
D30,255 S * 2/1899 Hardy D8/349
3,513,842 A * 5/1970 Berg et al. 602/60
D267,031 S * 11/1982 Hamlin D22/147
D279,163 S * 6/1985 Lye D8/25
4,890,531 A * 1/1990 Tischer 84/329
D332,821 S * 1/1993 Padilla D22/147

FIG. 1 is a perspective view of the design subject;
FIG. 2 is a left side elevational view thereof;
FIG. 3 is a right side elevational view thereof;
FIG. 4 is a top planar view thereof; and,
FIG. 5 is a bottom planar view thereof.

The broken line showing of a partial pole is included for the purpose of illustrating environment and forms no part of the claimed design.

1 Claim, 3 Drawing Sheets

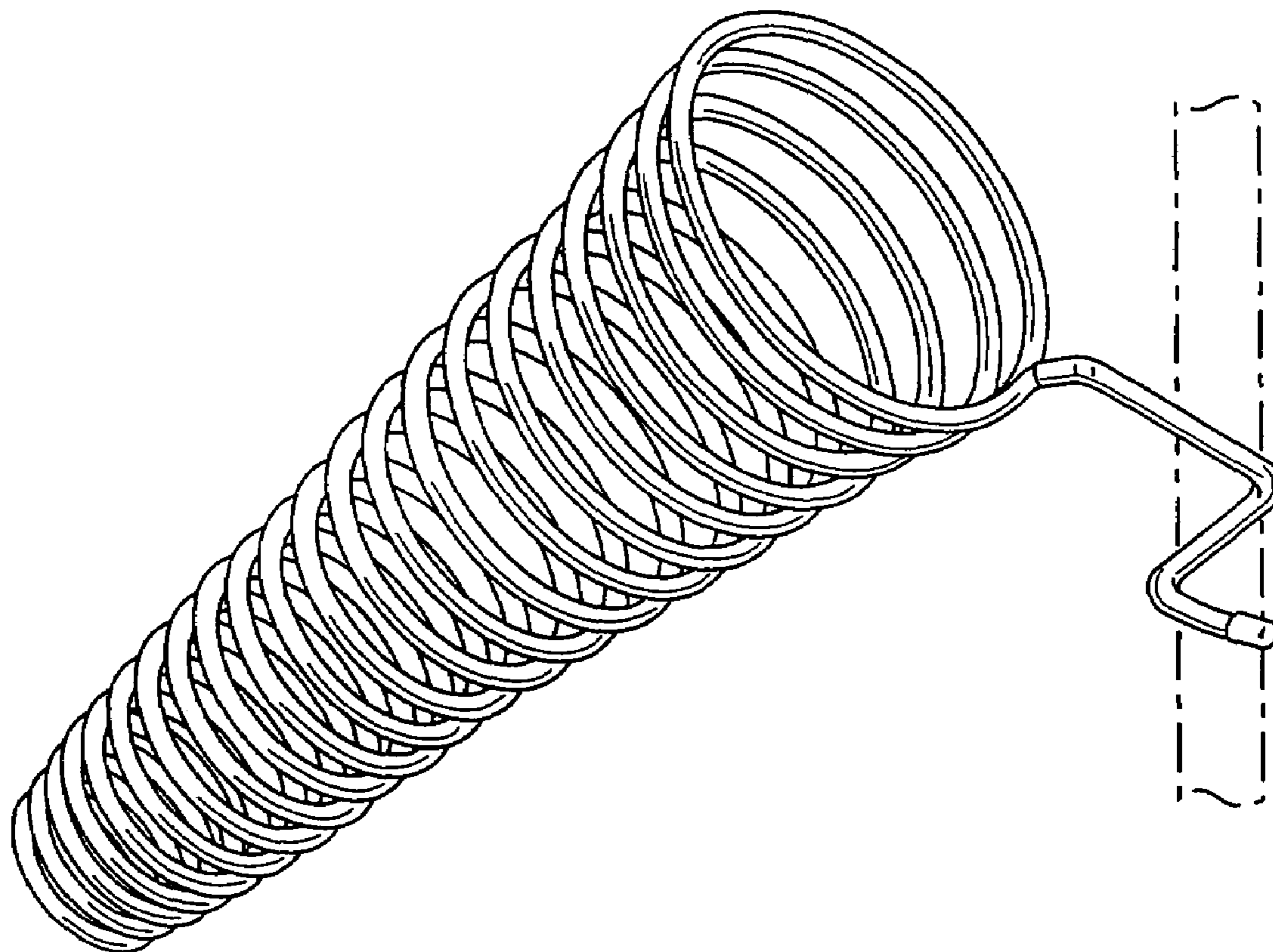


Fig. 1

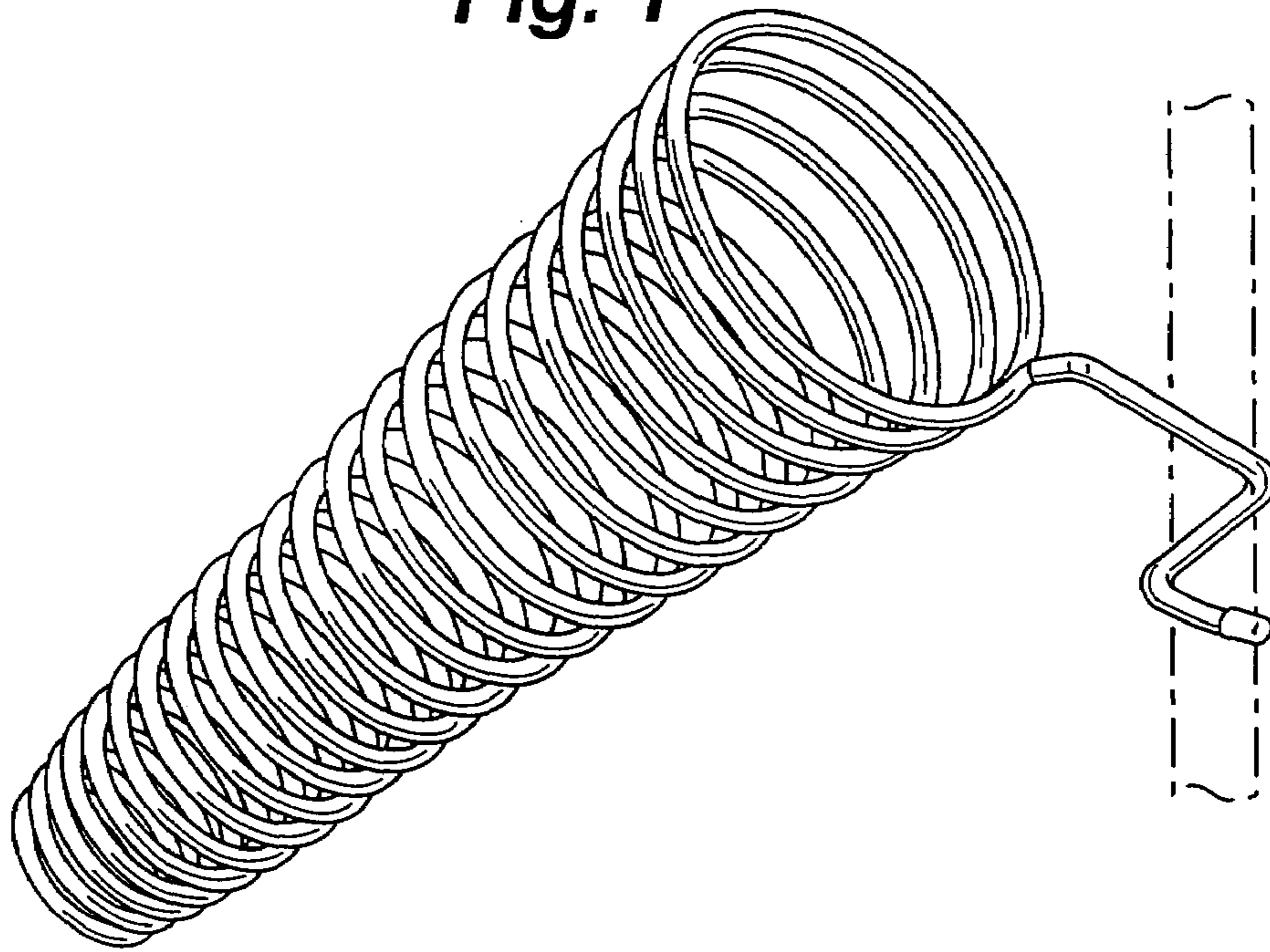


Fig. 2

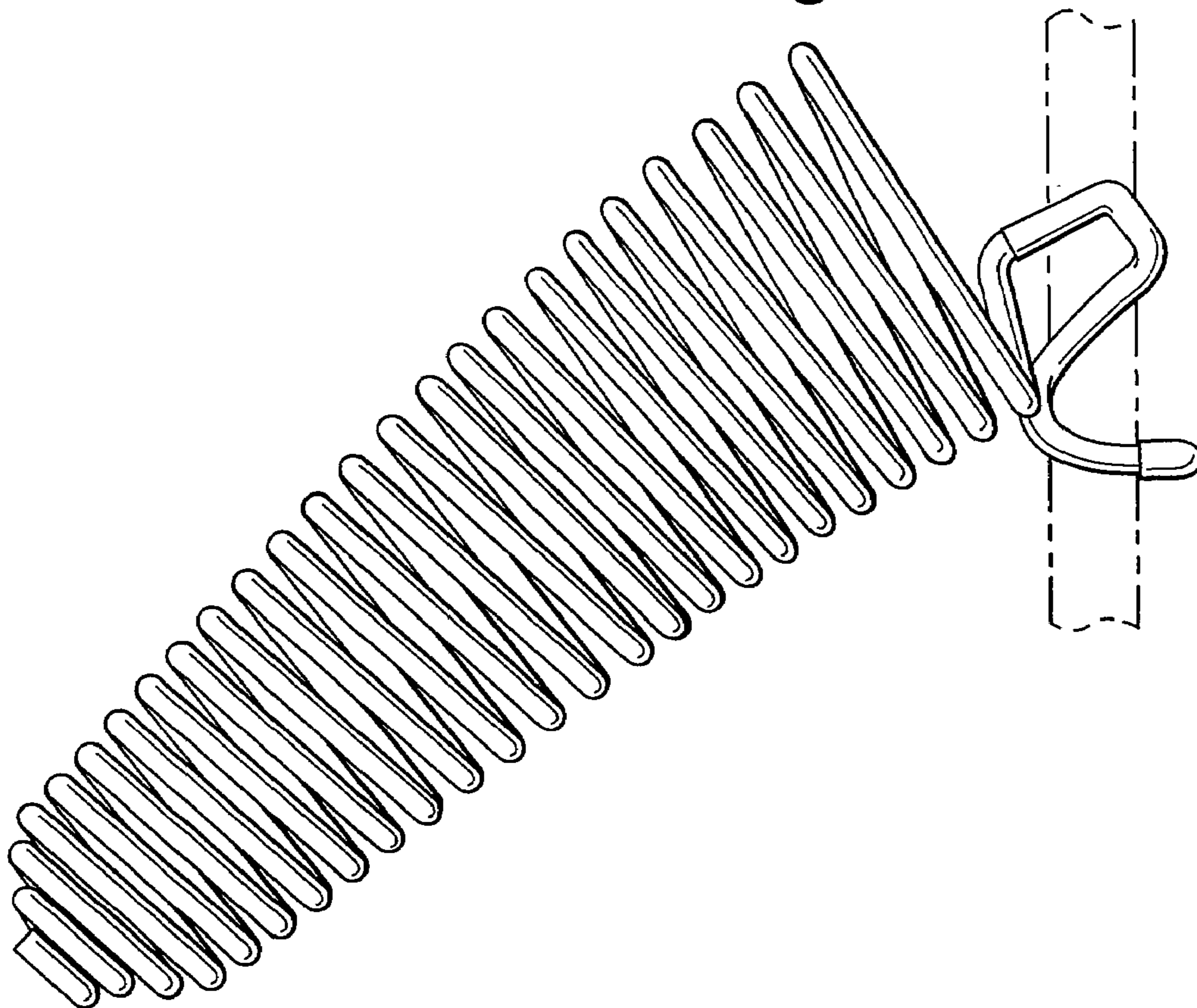


Fig. 3

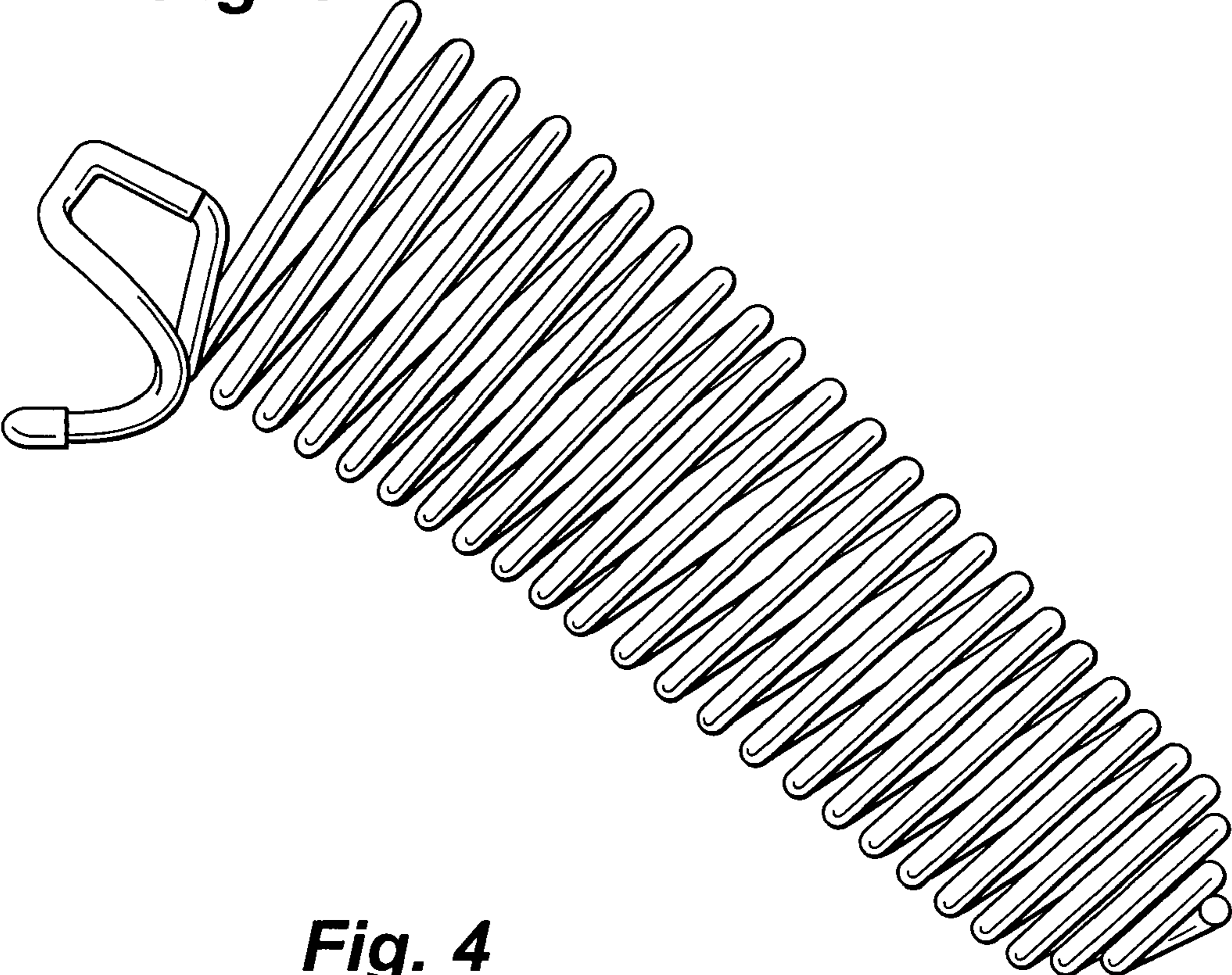


Fig. 4

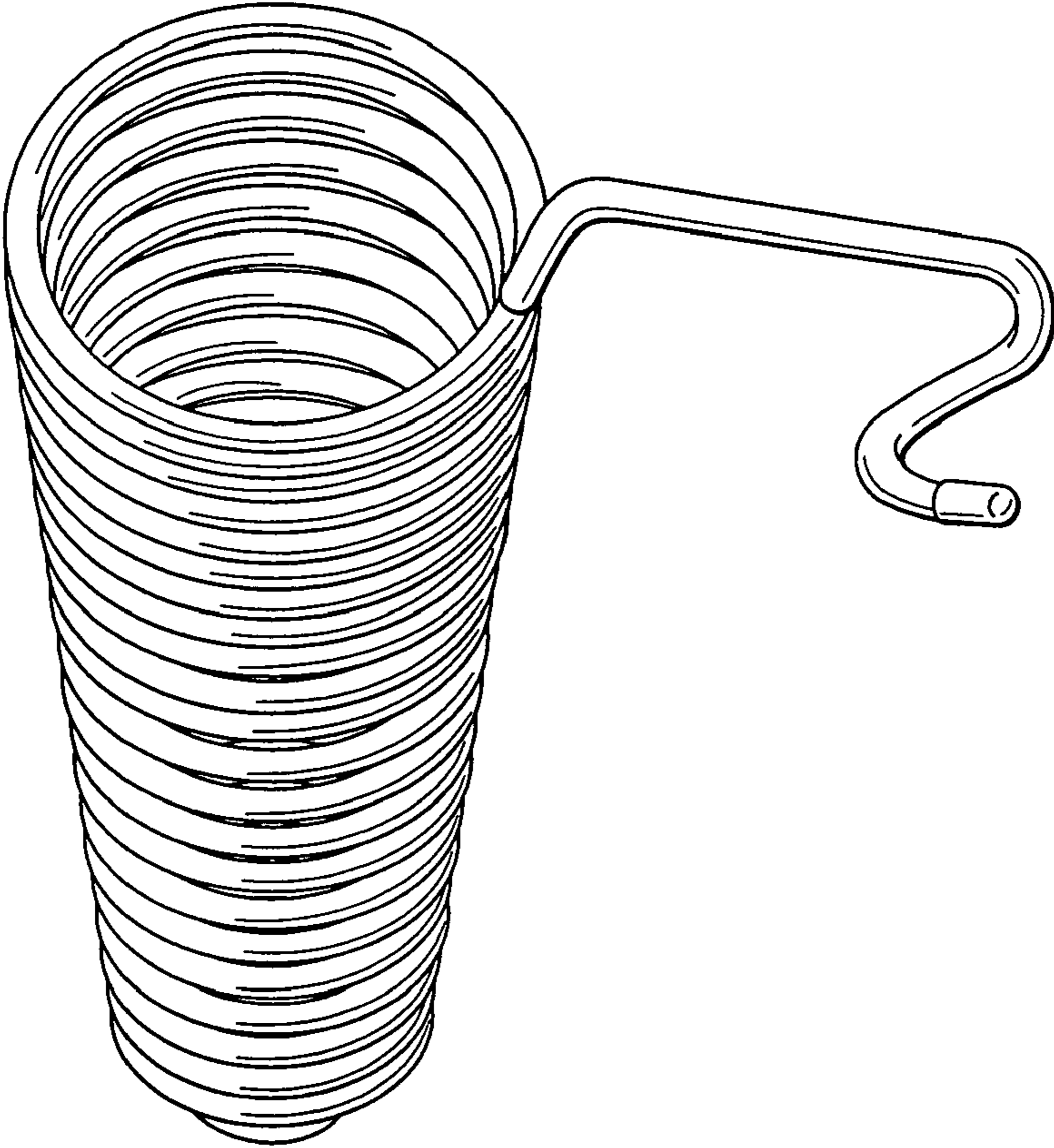


Fig. 5

