



US00D555459S

(12) **United States Design Patent**
Goodwin, III et al.

(10) **Patent No.:** **US D555,459 S**

(45) **Date of Patent:** **** Nov. 20, 2007**

(54) **WALL MOUNT BRACKET**

D503,331 S * 3/2005 Sjoberg D8/363

* cited by examiner

(76) Inventors: **William H. Goodwin, III**, 8 Roslyn St., Salem, MA (US) 01970; **Jody R. Goodwin**, 8 Roslyn St., Salem, MA (US) 01970

Primary Examiner—Holly H. Baynham

(74) *Attorney, Agent, or Firm*—Stan Jones; Stan Jones, Patents

(**) Term: **14 Years**

(57) **CLAIM**

(21) Appl. No.: **29/254,509**

The ornamental design for a wall mount bracket, as shown and described.

(22) Filed: **Feb. 23, 2006**

DESCRIPTION

(51) **LOC (8) Cl.** **08-05**

FIG. 1 is a top perspective view of our wall mount bracket showing our bracket fitted with screw openings as shown in phantom lines. The phantom lines in this FIG. 1 and in our FIG. 2 are for illustrative purposes only, and form no part of our new design invention.

(52) **U.S. Cl.** **D8/363**

(58) **Field of Classification Search** D8/363, D8/381; 248/309.1, 309.2, 317, 274.1, 284.1, 248/300

FIG. 2 is a top plan view of our wall mount bracket with the undisclosed bottom view being flat and unornamented;

See application file for complete search history.

FIG. 3 is one side view of our new wall mount bracket, with the other side view being the same;

(56) **References Cited**

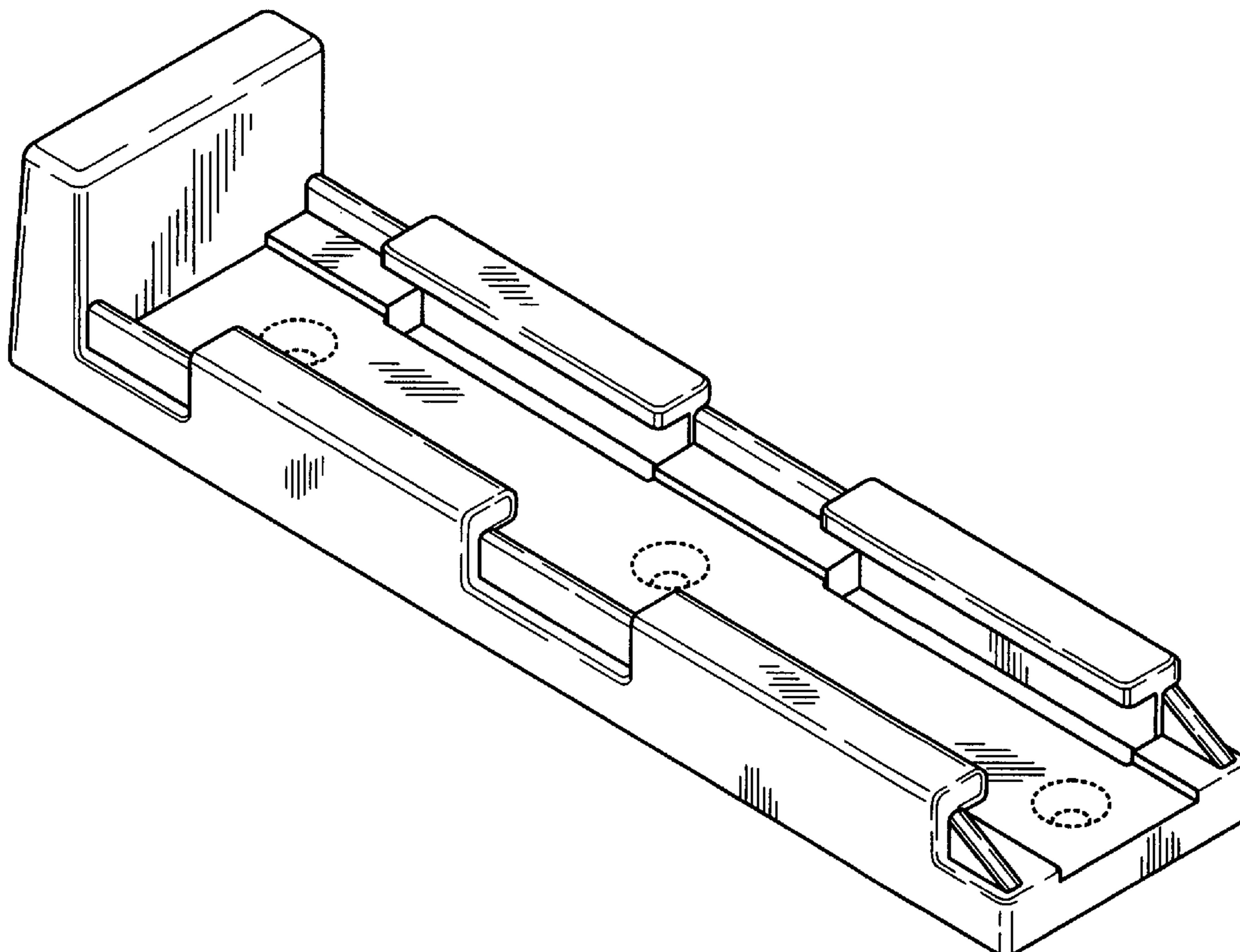
U.S. PATENT DOCUMENTS

- D275,553 S * 9/1984 Emmie et al. D8/363
- D334,135 S * 3/1993 Fraker et al. D8/363
- D438,780 S * 3/2001 Horsten D8/363
- D457,418 S * 5/2002 Ferrer Beltrán D8/363

FIG. 4 is a bottom end view of our new wall mount bracket; and,

FIG. 5 is a top end view of our new wall mount bracket.

1 Claim, 2 Drawing Sheets



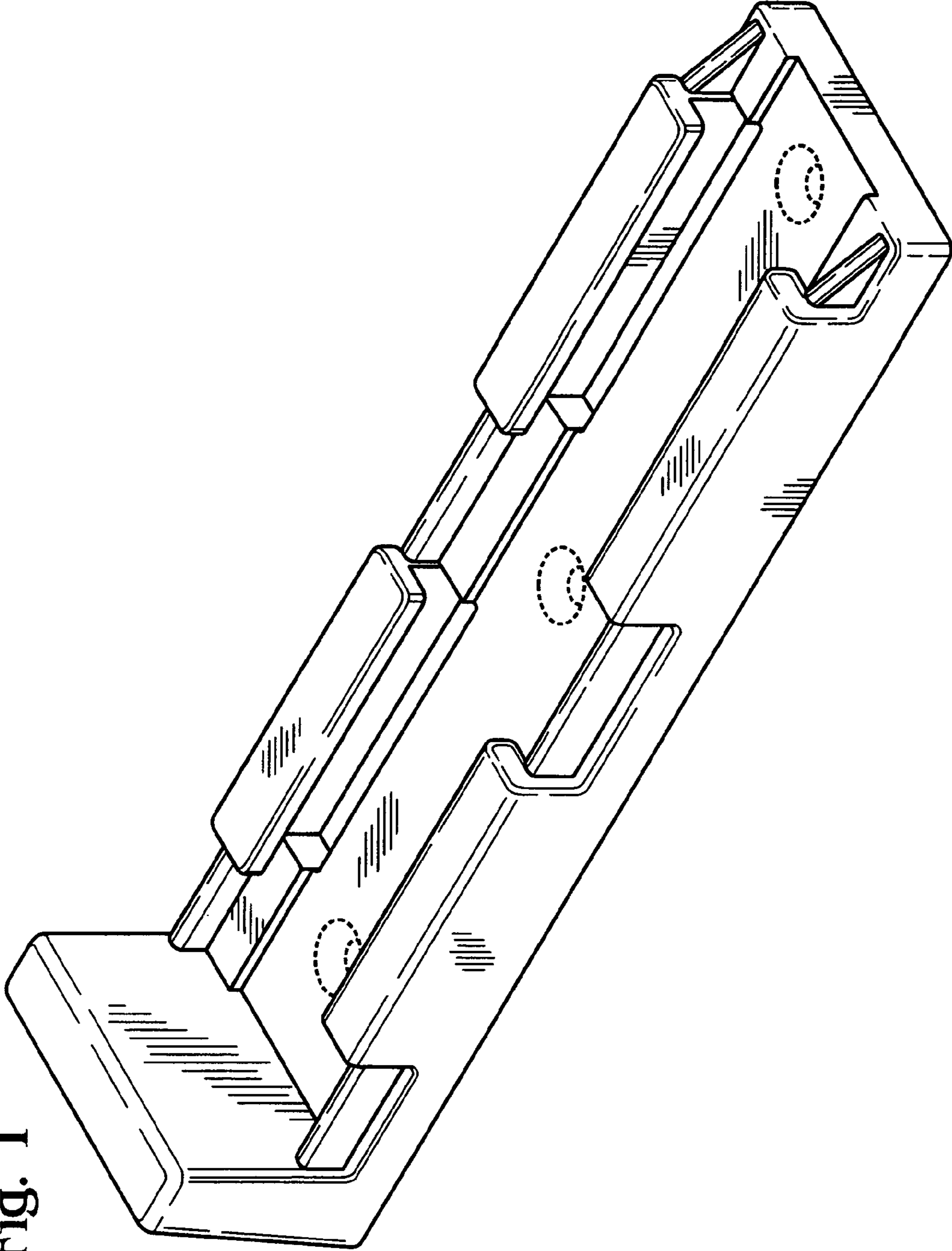


Fig. 1

Fig. 2

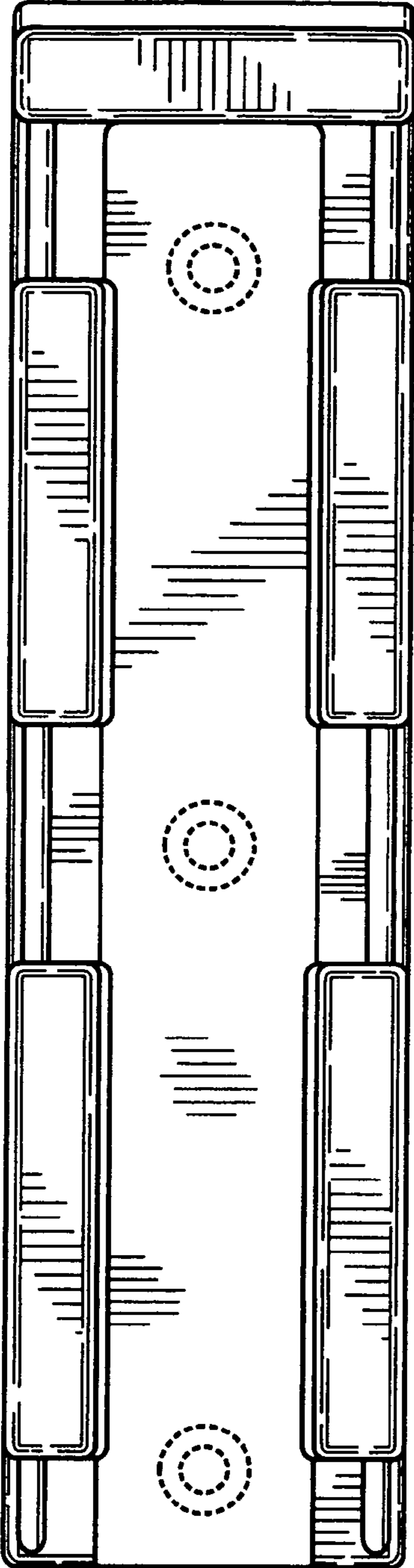


Fig. 3

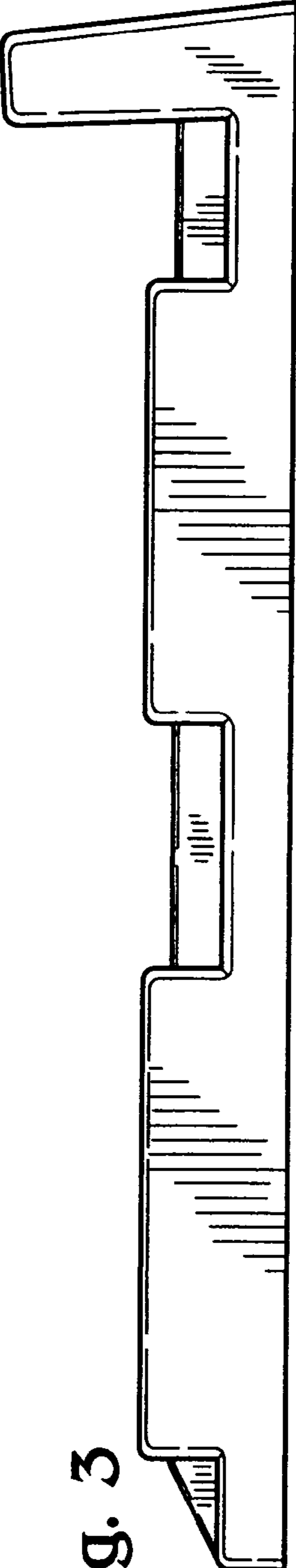


Fig. 4

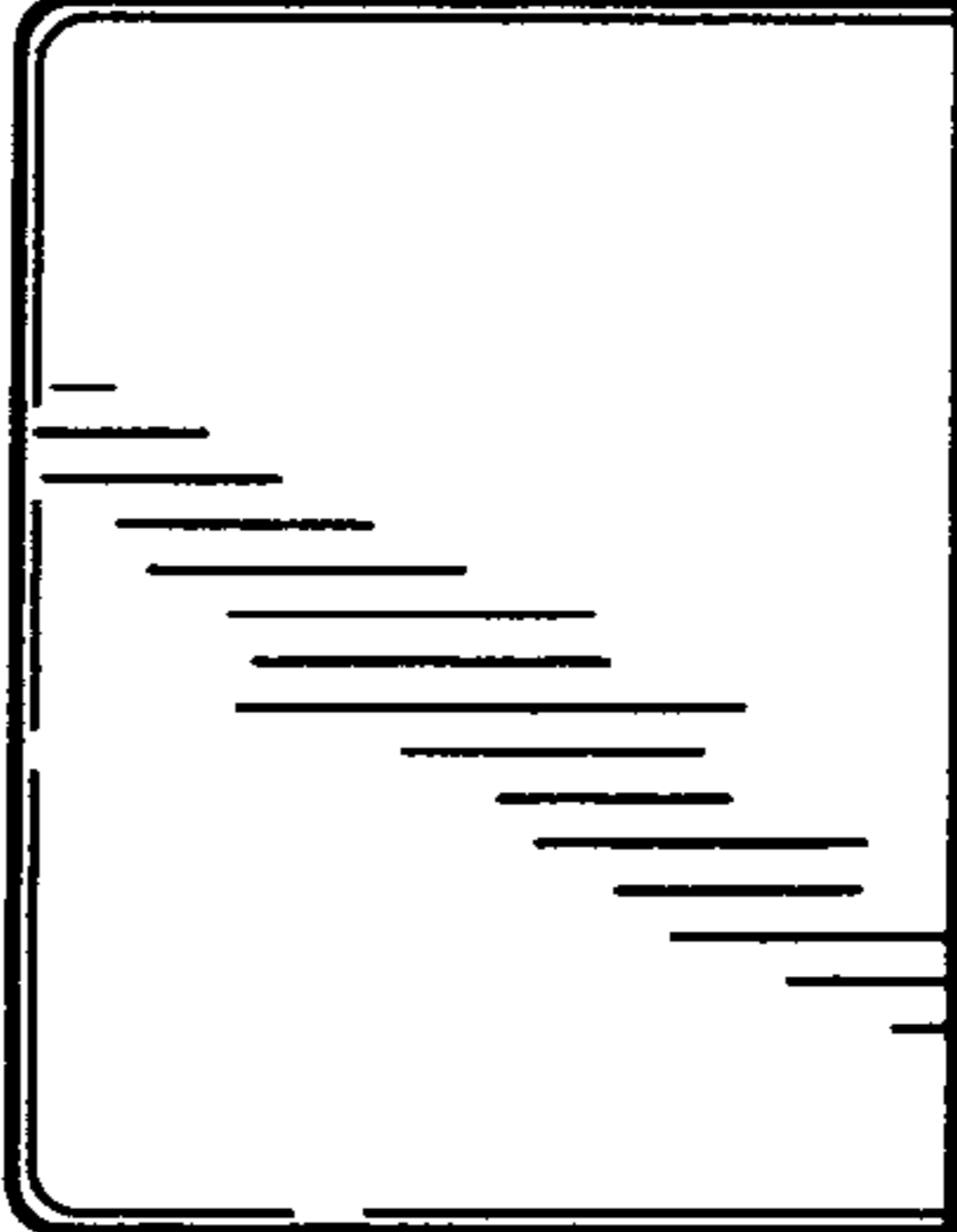


Fig. 5

