



US00D555455S

(12) **United States Design Patent**  
**Cheng**

(10) **Patent No.:** **US D555,455 S**

(45) **Date of Patent:** **\*\* Nov. 20, 2007**

(54) **MULTI FUNCTION TOOL**

(57) **CLAIM**

(76) Inventor: **Carson Cheng**, 116 W. Hovey Ave.,  
San Gabriel, CA (US) 91776

The ornamental design for a multi function tool, as shown  
and described.

(\*\*) Term: **14 Years**

(21) Appl. No.: **29/277,379**

**DESCRIPTION**

(22) Filed: **Feb. 22, 2007**

(51) **LOC (8) Cl.** ..... **08-05**

(52) **U.S. Cl.** ..... **D8/105**

(58) **Field of Classification Search** ..... D8/99,  
D8/58, 55, 52, 356, 107, 105; D19/65; 81/440,  
81/427.5; 7/160, 138, 128, 118; 30/298.4,  
30/162, 161, 155

See application file for complete search history.

FIG. 1 is a perspective view of a multi function tool in a  
closed position, embodying my new design;

FIG. 2 is second perspective view thereof;

FIG. 3 is a right side elevational view thereof;

FIG. 4 is a left side elevational view thereof;

FIG. 5 is a front view thereof, the rear view being a mirror  
image thereof;

FIG. 6 is a top plan view thereof;

FIG. 7 is a bottom plan view thereof.

FIG. 8 is a perspective view thereof in an open position;

FIG. 9 is top plan view of FIG. 8;

FIG. 10 is a bottom plan view thereof;

FIG. 11 is a front view thereof;

FIG. 12 is a rear view thereof;

FIG. 13 is a left side view thereof;

FIG. 14 is a right side view thereof; and,

FIG. 15 is a perspective view of a second embodiment of  
FIG. 8, the only difference being the configuration of one of  
the prongs provided with a cable, it being understood that all  
other surfaces are the same as those of the first embodiment.

The broken away portions shown in FIG. 15 indicate inde-  
terminate length.

(56) **References Cited**

**U.S. PATENT DOCUMENTS**

4,783,867	A *	11/1988	Tsao	7/160
5,979,059	A *	11/1999	Leatherman et al.	30/161
6,014,787	A *	1/2000	Rivera	7/128
6,085,374	A *	7/2000	Richey	7/118
6,220,127	B1 *	4/2001	Berg et al.	81/427.5
RE37,210	E *	6/2001	Chuang	7/138
6,286,168	B1 *	9/2001	Woodruff et al.	7/138
6,622,329	B2 *	9/2003	Ostor et al.	7/138
6,708,360	B2 *	3/2004	Ackeret	7/160
D494,438	S *	8/2004	Falkenstein et al.	D8/105
7,140,280	B2 *	11/2006	Hawkins et al.	81/440
2002/0073490	A1 *	6/2002	Wu	7/138
2004/0237732	A1 *	12/2004	Hawkins	81/440

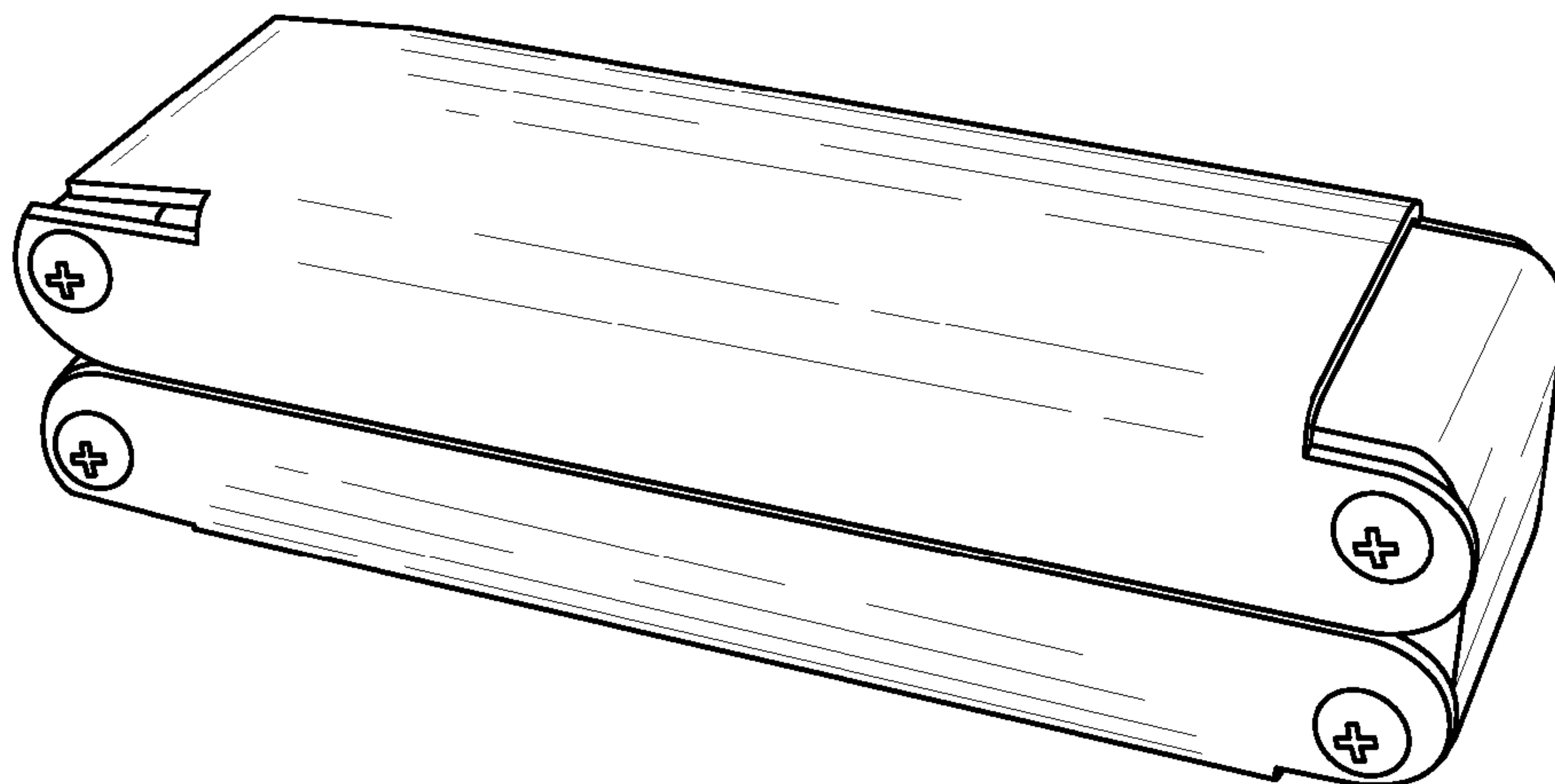
\* cited by examiner

*Primary Examiner*—Cathron C. Brooks

*Assistant Examiner*—Austin Murphy

(74) *Attorney, Agent, or Firm*—Intellectual Property Law  
Group LLP; Otto O. Lee; Juneko Jackson

**1 Claim, 8 Drawing Sheets**



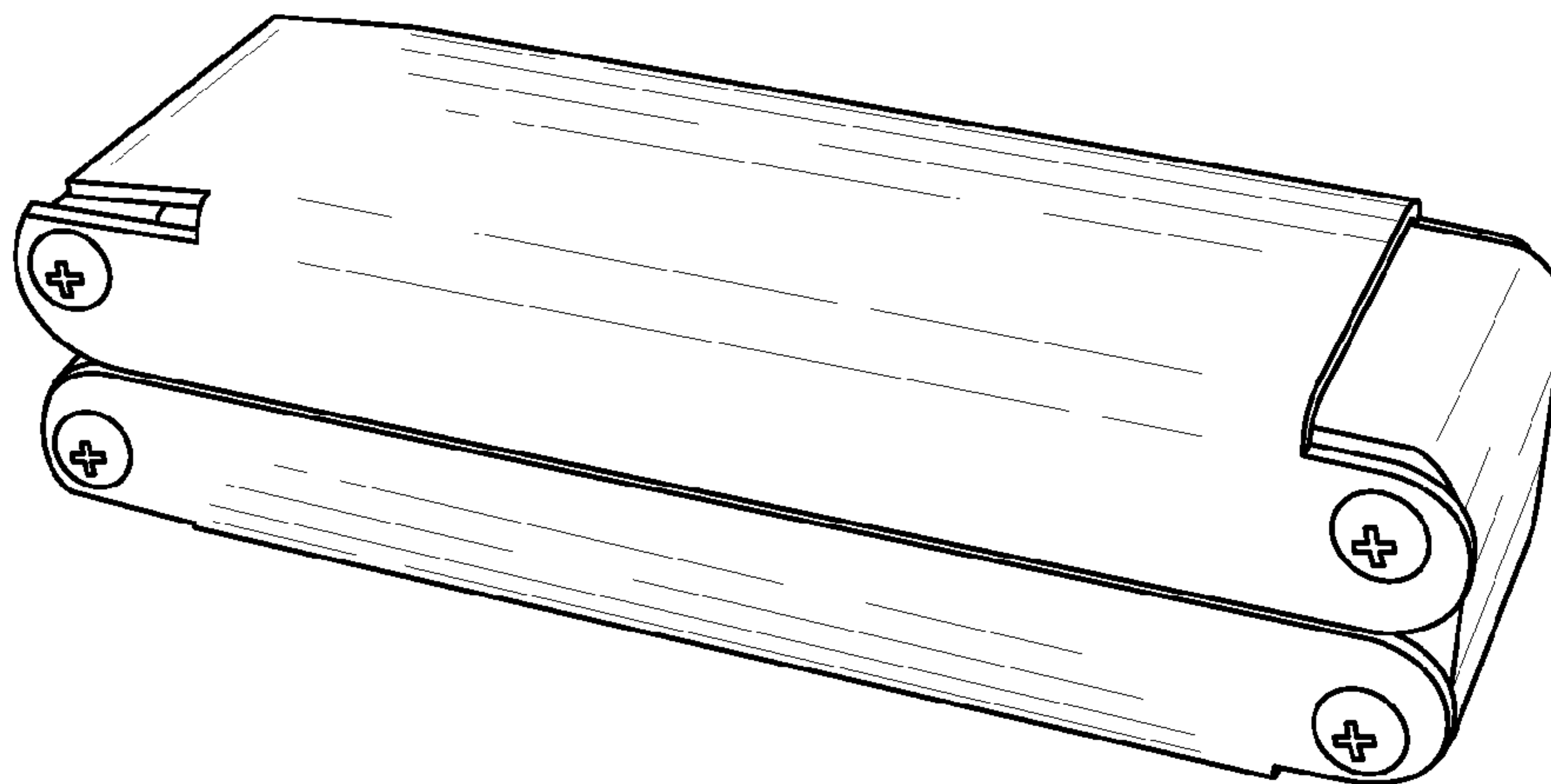


FIG. 1

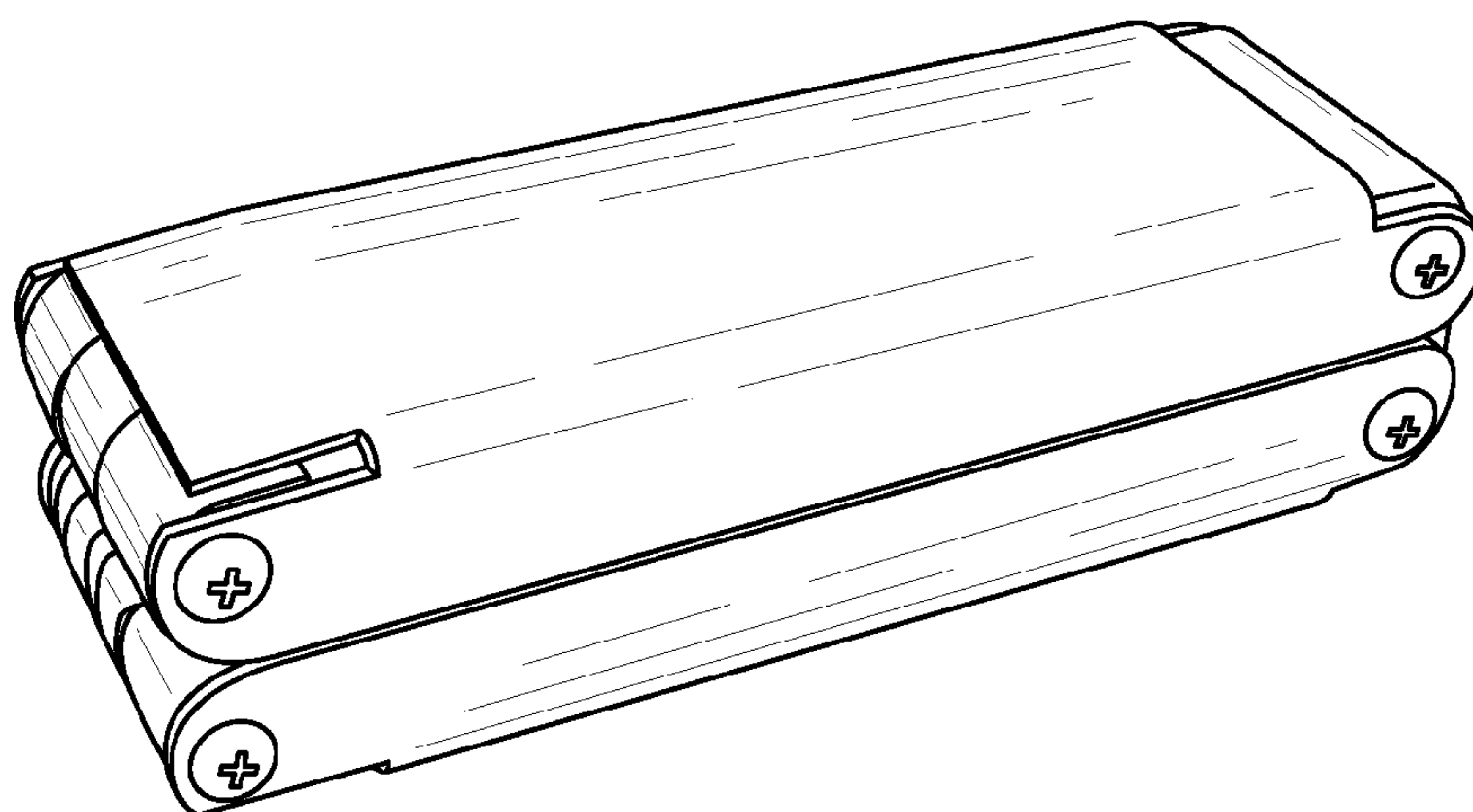


FIG. 2

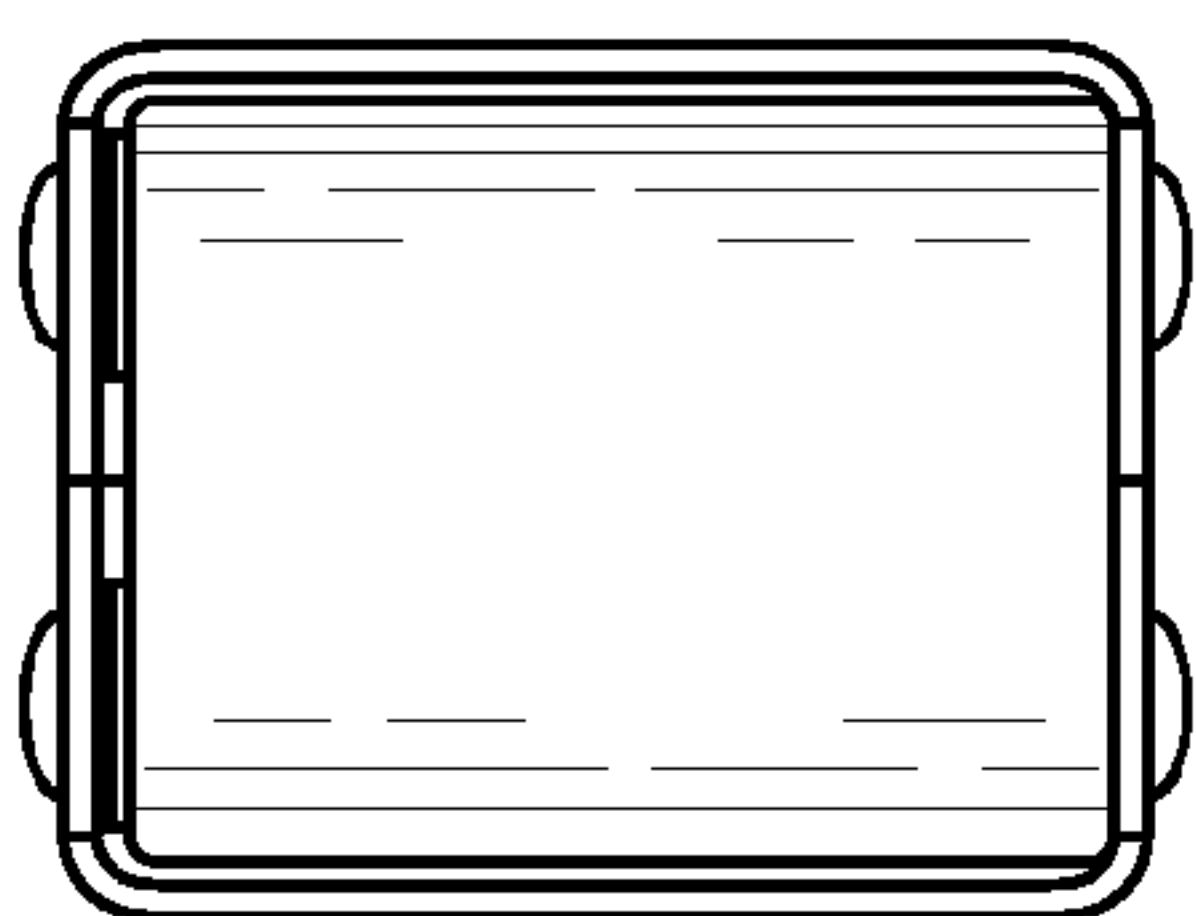


FIG. 3

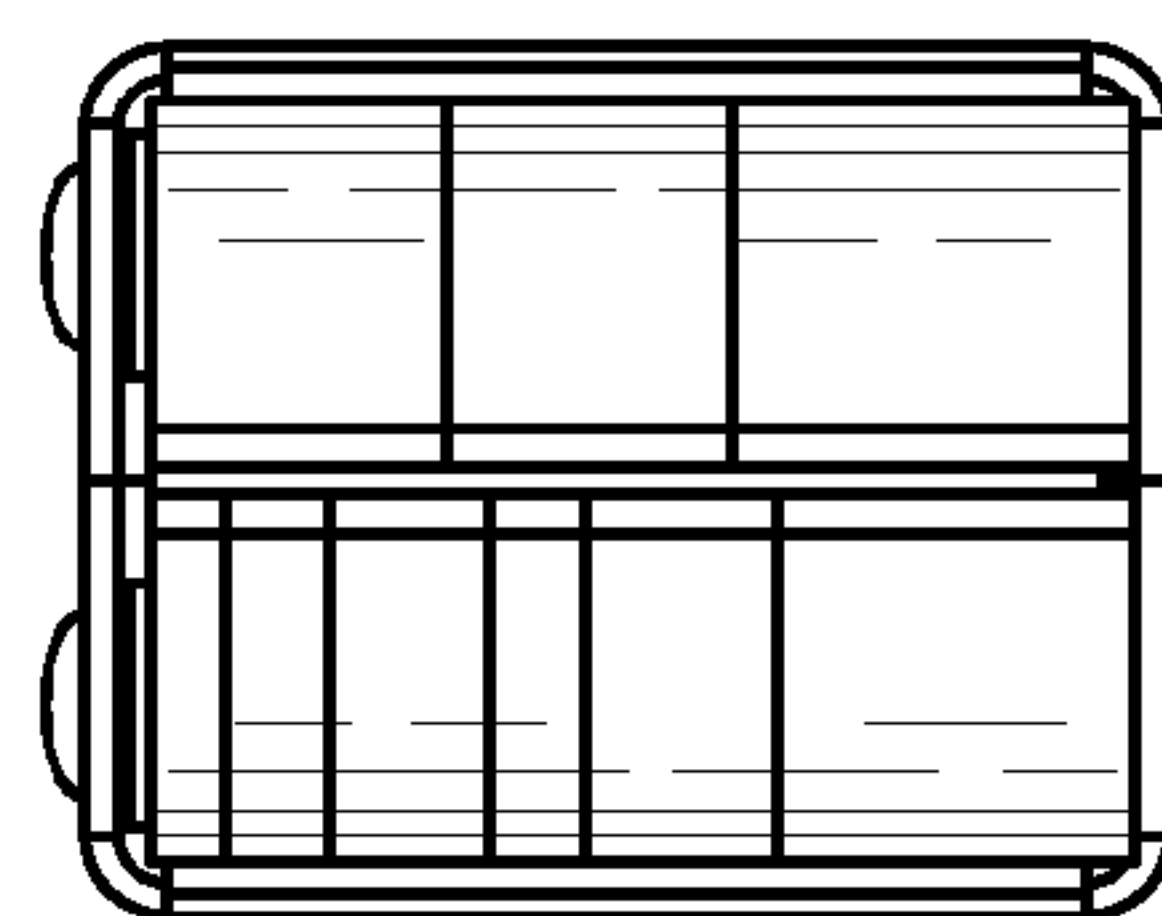
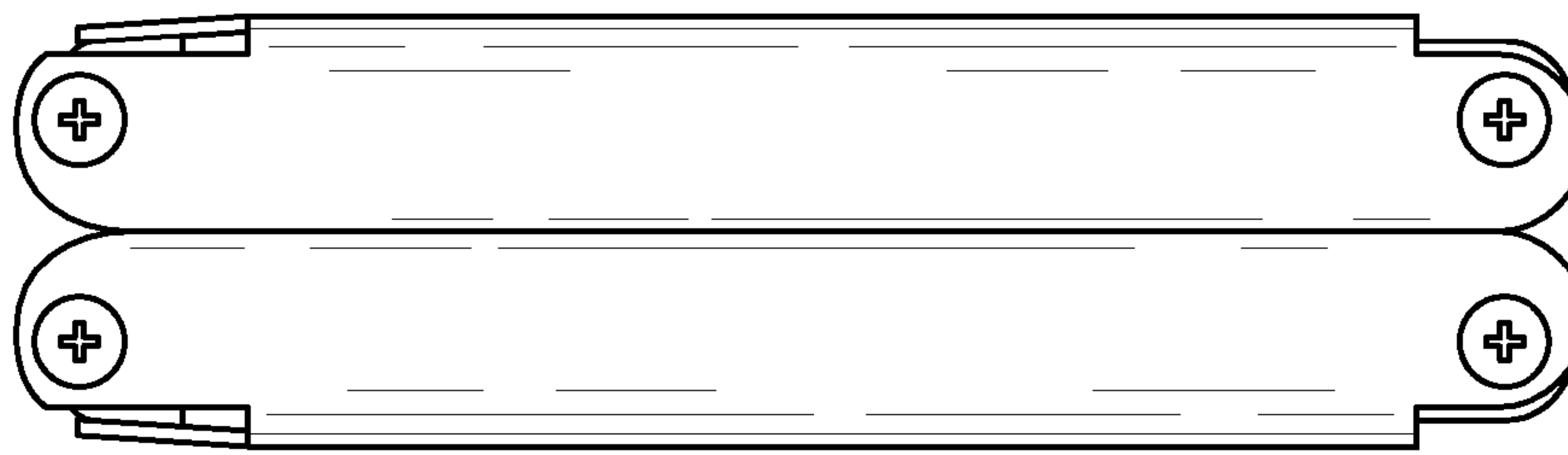
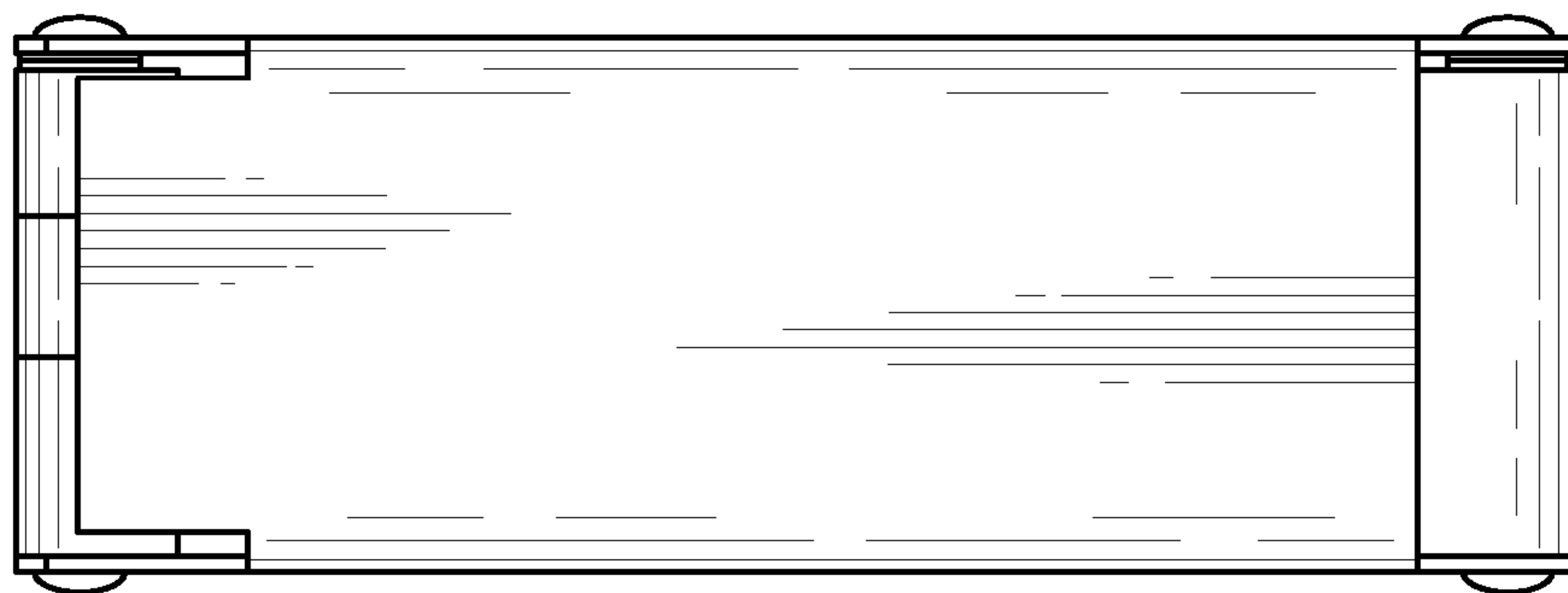


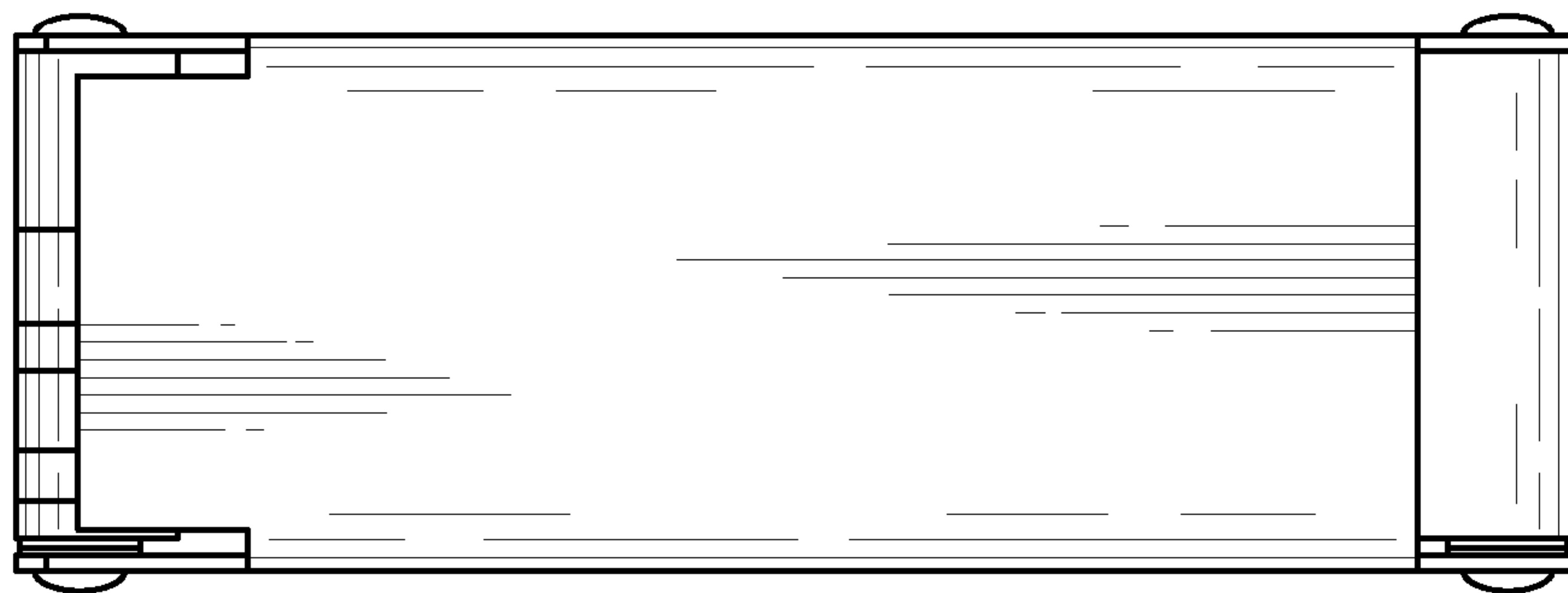
FIG. 4



**FIG. 5**



**FIG. 6**



**FIG. 7**

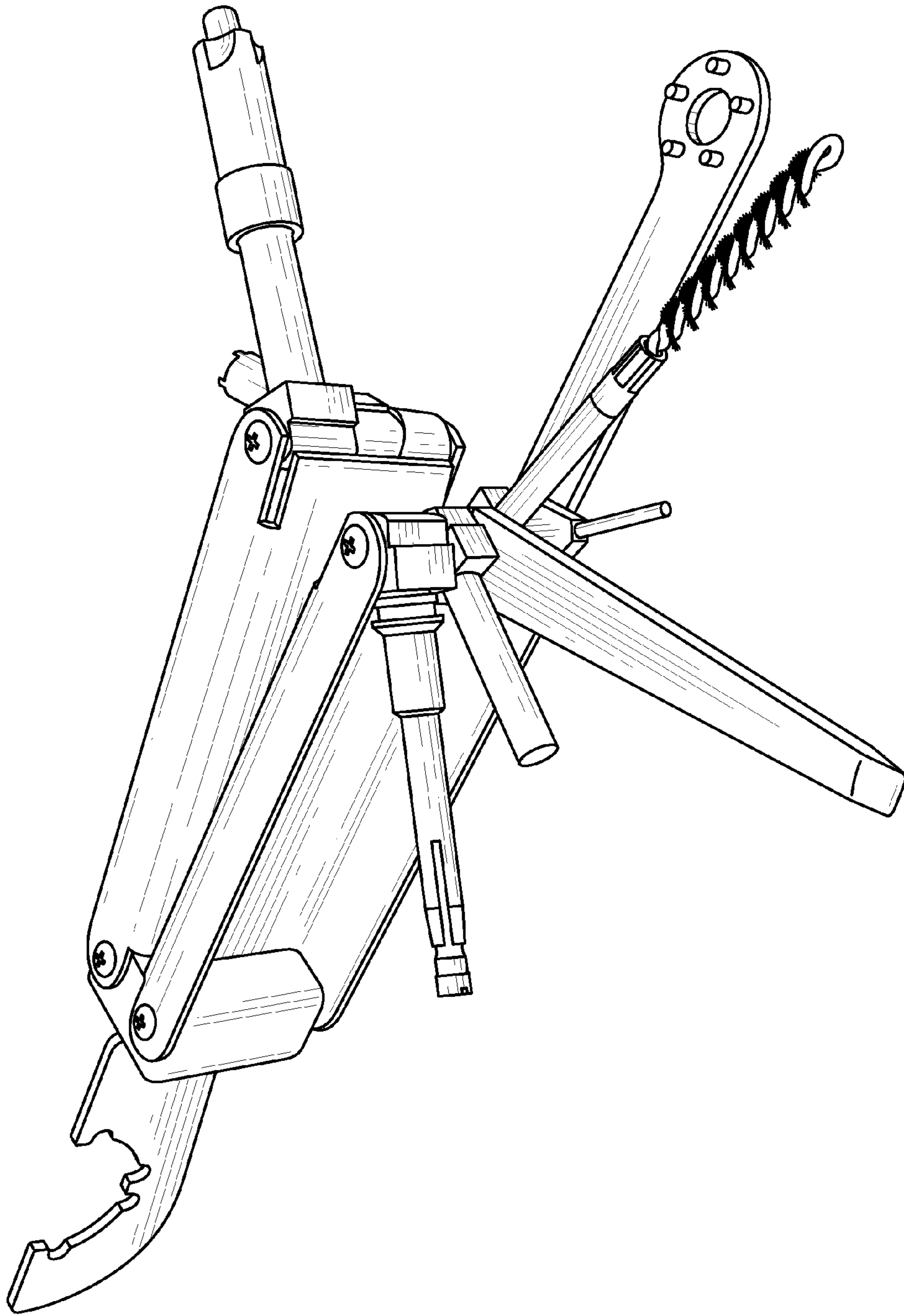


FIG. 8

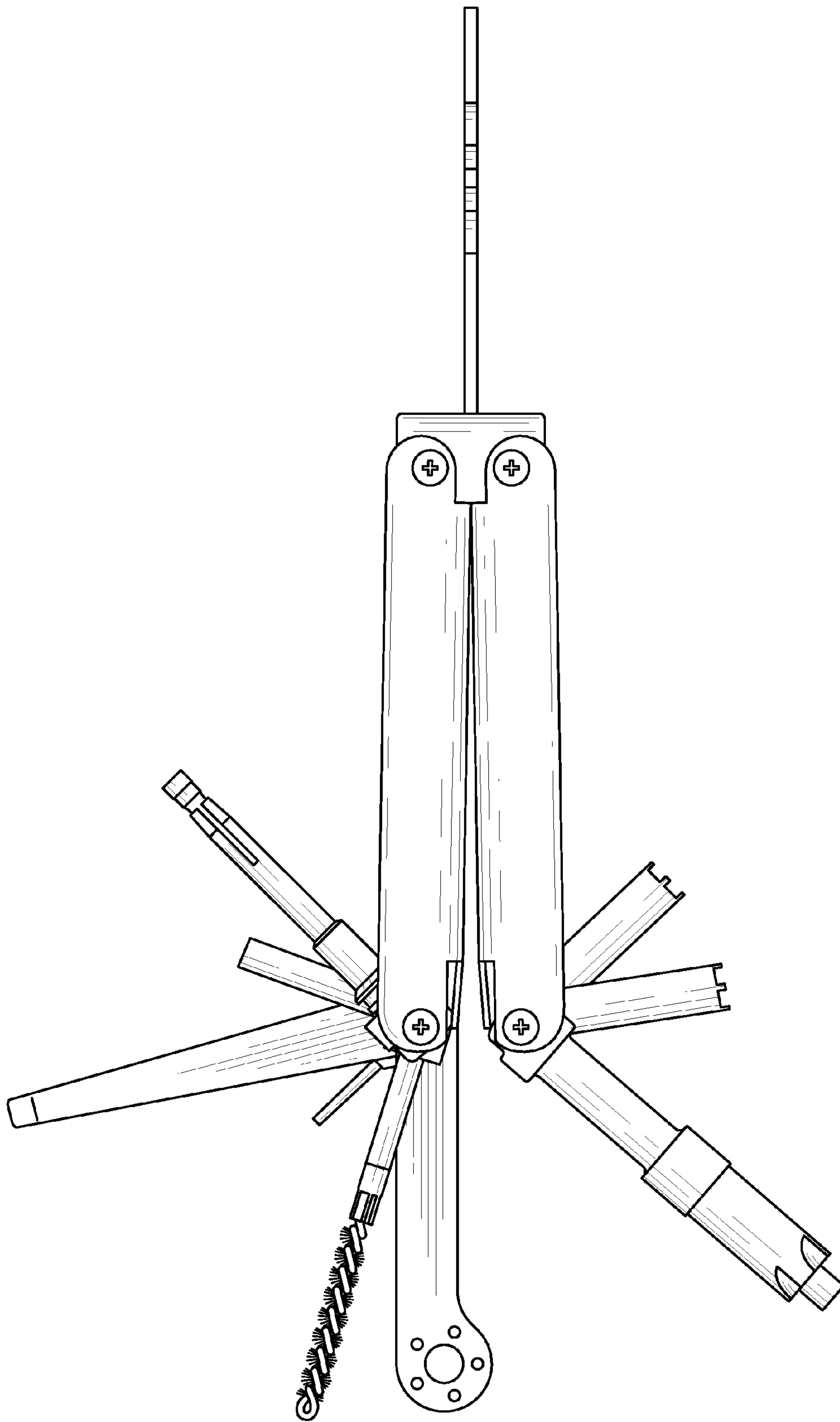


FIG. 9



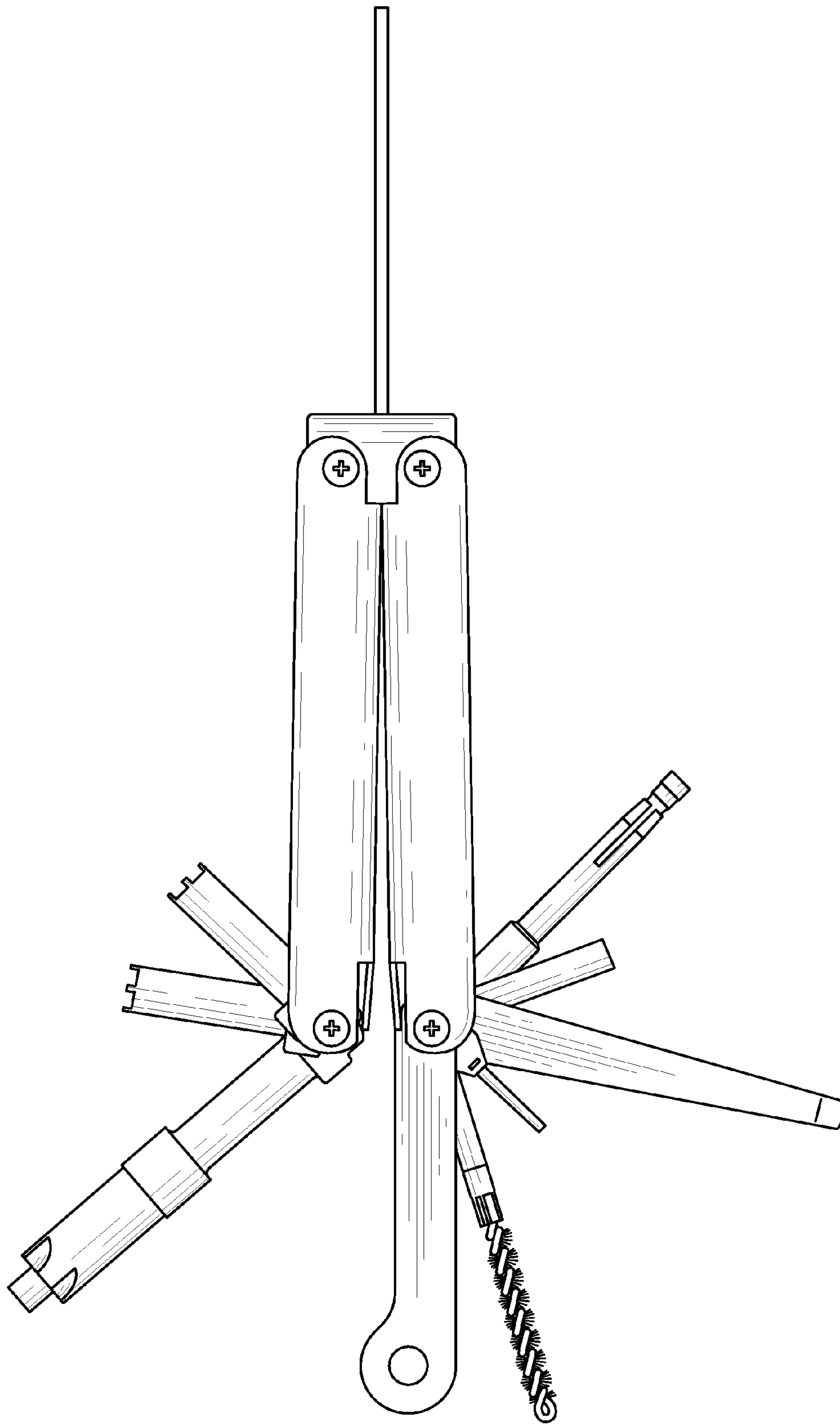


FIG. 10

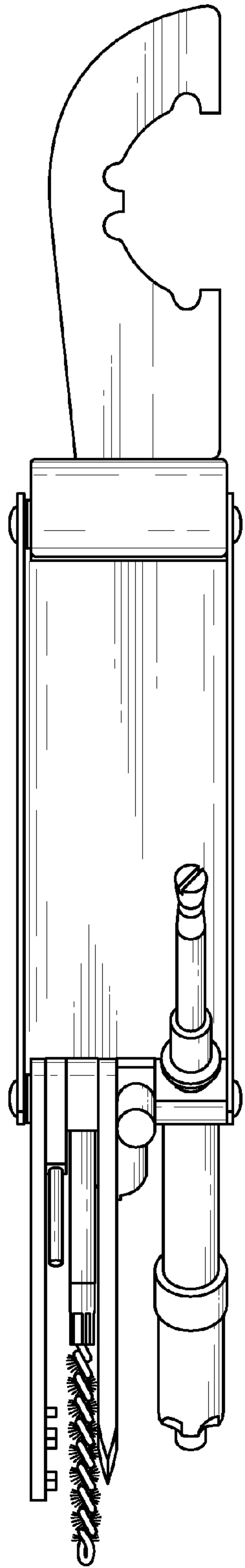


FIG. 11

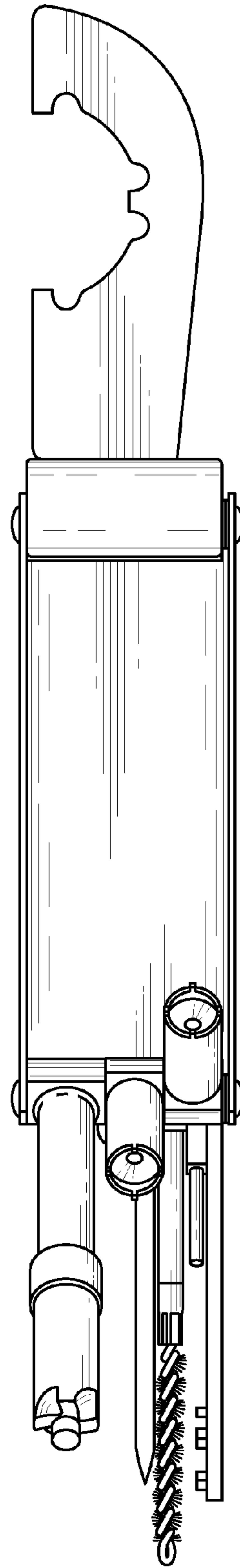


FIG. 12

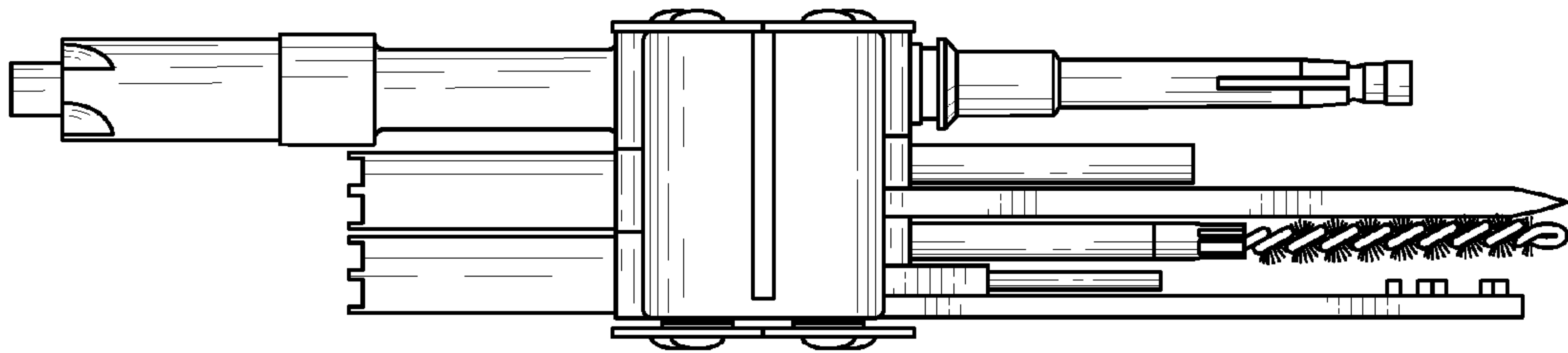


FIG. 13

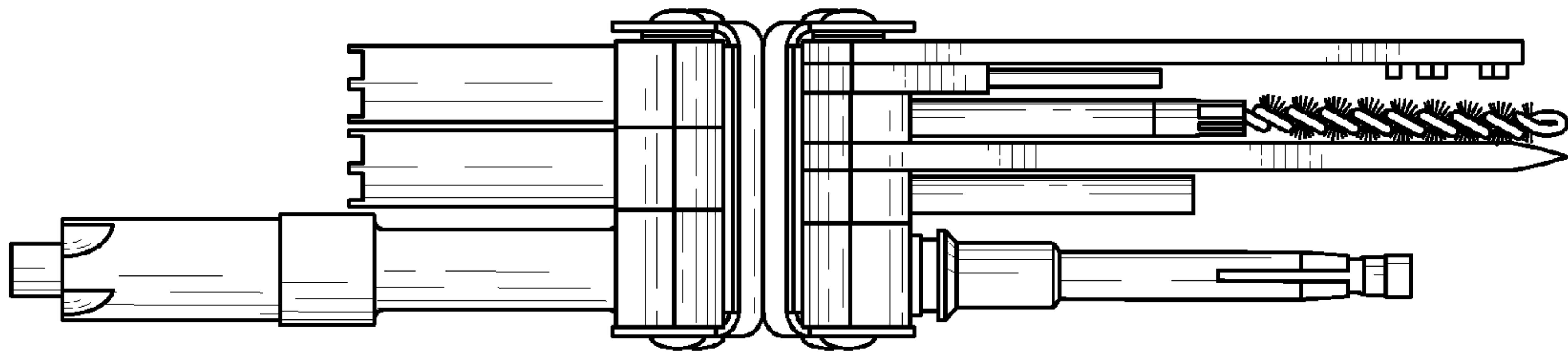


FIG. 14



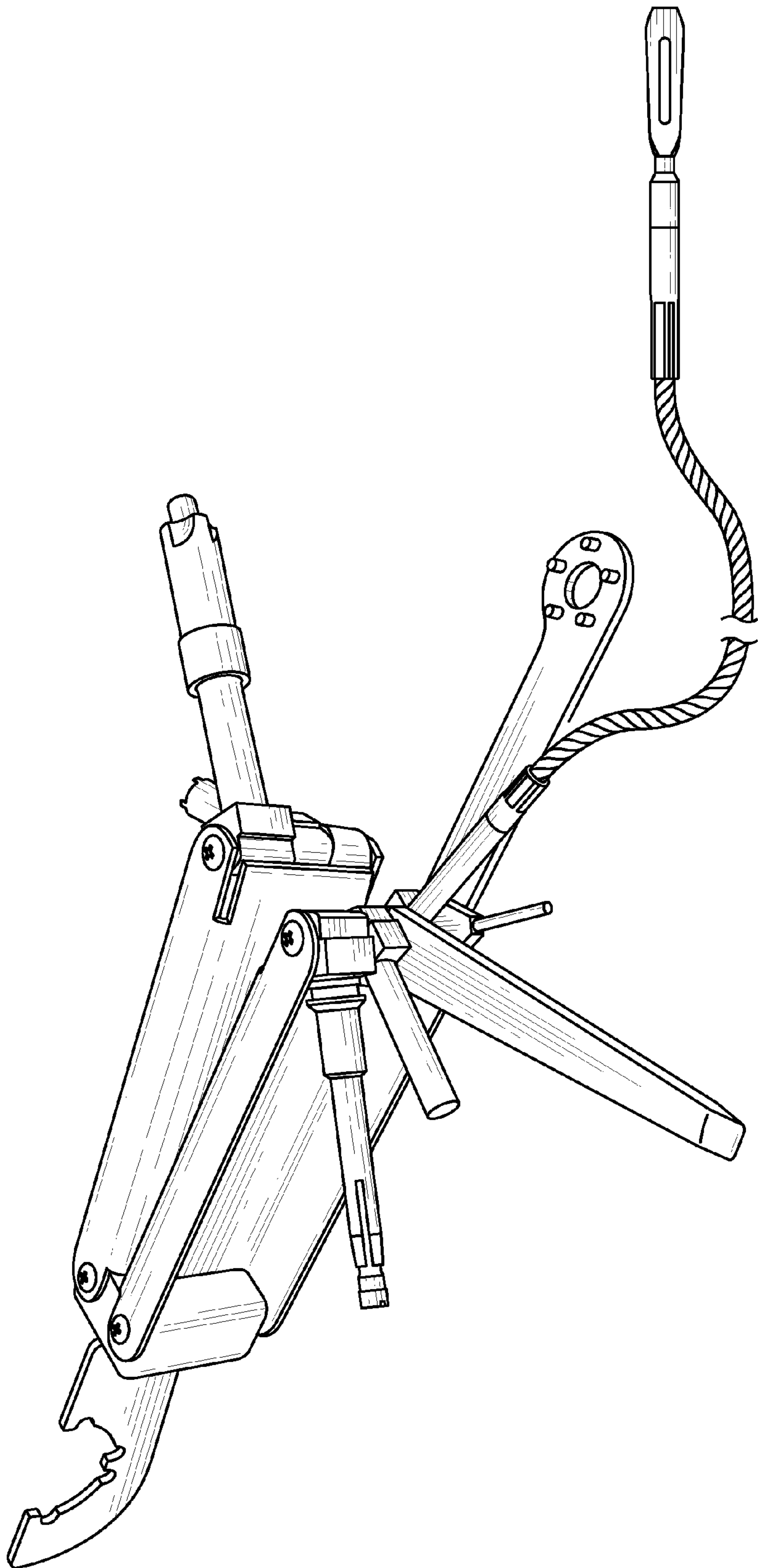


FIG. 15