



US00D555454S

(12) **United States Design Patent**
Noniewicz

(10) **Patent No.:** **US D555,454 S**

(45) **Date of Patent:** **** Nov. 20, 2007**

(54) **CLAMP**

(75) Inventor: **Zbigniew Noniewicz**, Kempenich (DE)

(73) Assignee: **wolcraft GmbH**, Kempenich (DE)

(**) Term: **14 Years**

(21) Appl. No.: **29/255,764**

(22) Filed: **Mar. 10, 2006**

(30) **Foreign Application Priority Data**

Nov. 2, 2005 (EM) 000425426

(51) **LOC (8) Cl.** **08-05**

(52) **U.S. Cl.** **D8/72**

(58) **Field of Classification Search** D8/71-74,
D8/394; 269/3, 6, 143, 147-149, 95; 81/355,
81/356, 353, 487; 29/257, 276; D15/140
See application file for complete search history.

(56) **References Cited**

U.S. PATENT DOCUMENTS

D305,094 S *	12/1989	McDonald	D8/72
D328,846 S *	8/1992	Sorensen et al.	D8/72
D366,820 S *	2/1996	Wooster et al.	D8/72
D417,377 S	12/1999	Blank et al.		
D439,487 S *	3/2001	Renner	D8/72
6,254,073 B1 *	7/2001	Noniewicz et al.	269/6

6,338,475 B1 *	1/2002	Ping	269/6
D488,043 S *	4/2004	Ben-Gigi	D8/72
D494,828 S *	8/2004	Phillips	D8/72
D515,386 S *	2/2006	Noniewicz et al.	D8/72
D516,892 S *	3/2006	Ping	D8/72
7,017,894 B1 *	3/2006	Lin	269/6
2006/0226588 A1 *	10/2006	Khachatoorian et al.	269/6

* cited by examiner

Primary Examiner—Louis Zarfaz

Assistant Examiner—David G. Muller

(74) *Attorney, Agent, or Firm*—Everest Intellectual Property Law Group; Michael S. Leonard

(57) **CLAIM**

I claim the ornamental design for a clamp, as shown and described.

DESCRIPTION

FIG. 1 is a front view of a clamp of the claimed design.

FIG. 2 is a rear view of the clamp of FIG. 1.

FIG. 3 is a right side of the clamp of FIG. 1.

FIG. 4 is a left side view of the clamp of FIG. 1.

FIG. 5 is a bottom view of the clamp of FIG. 1.

FIG. 6 is a top view of the clamp of FIG. 1; and,

FIG. 7 is a perspective view of the clamp of FIG. 1.

1 Claim, 4 Drawing Sheets

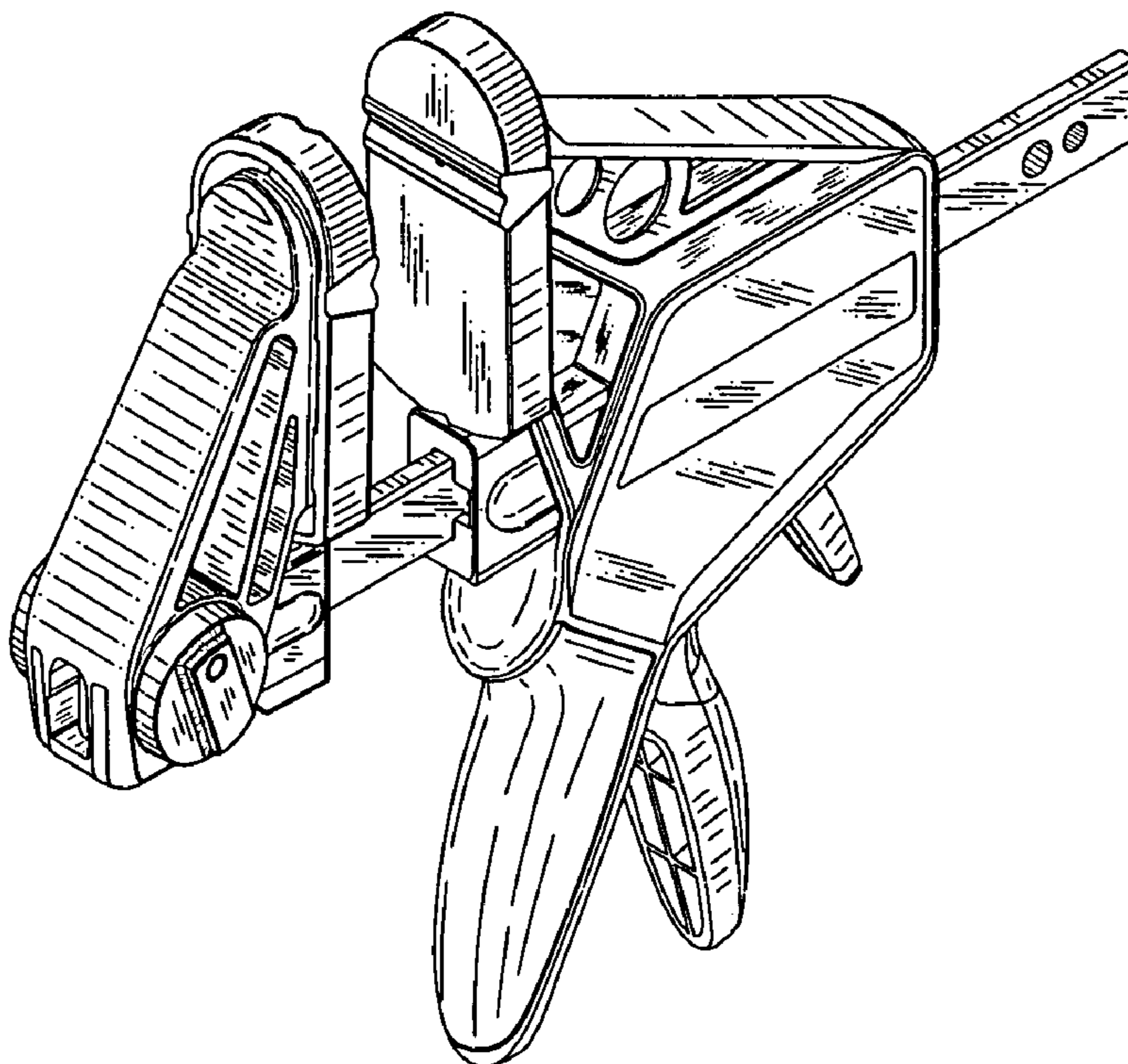


Fig. 1

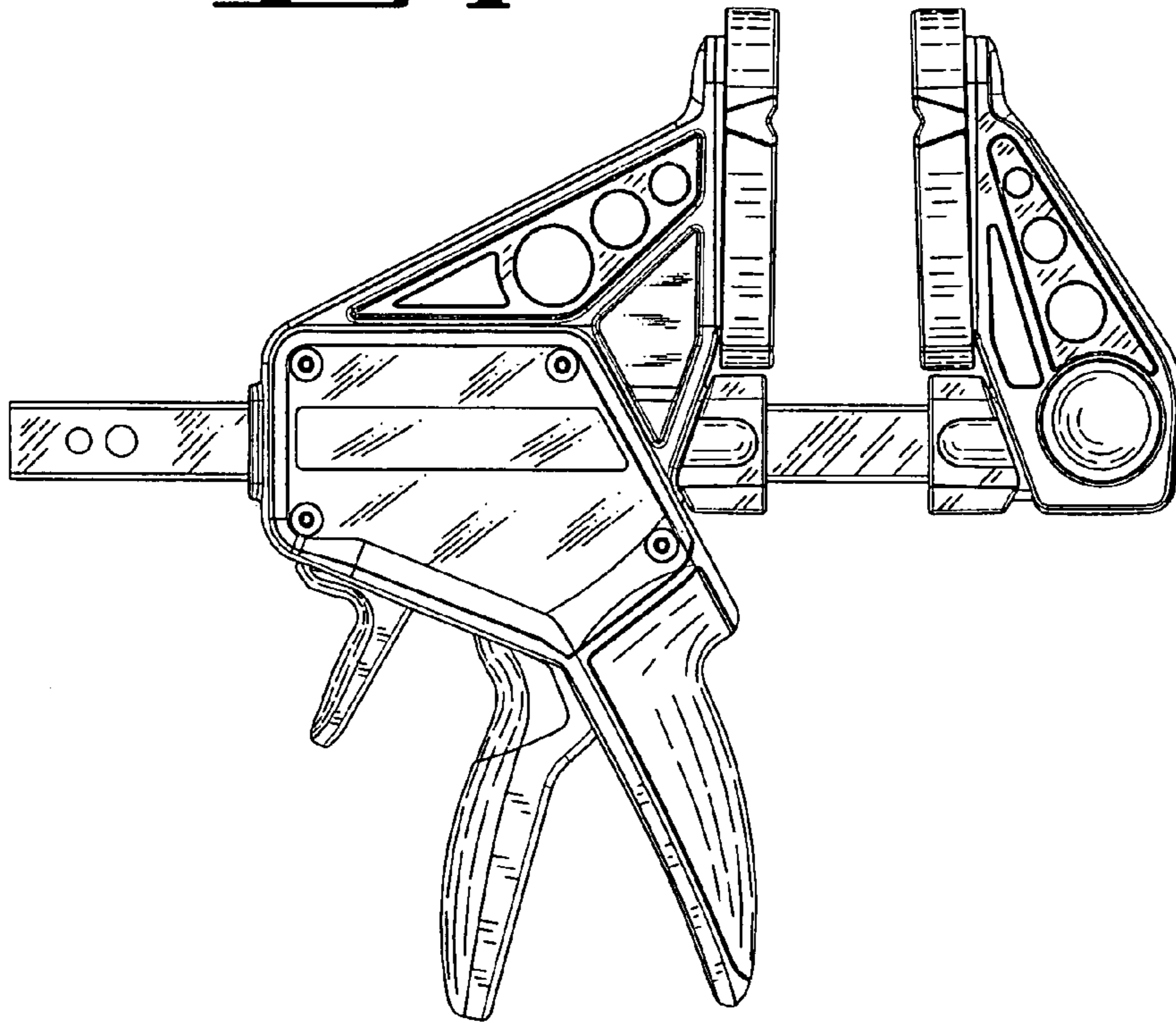


Fig. 2

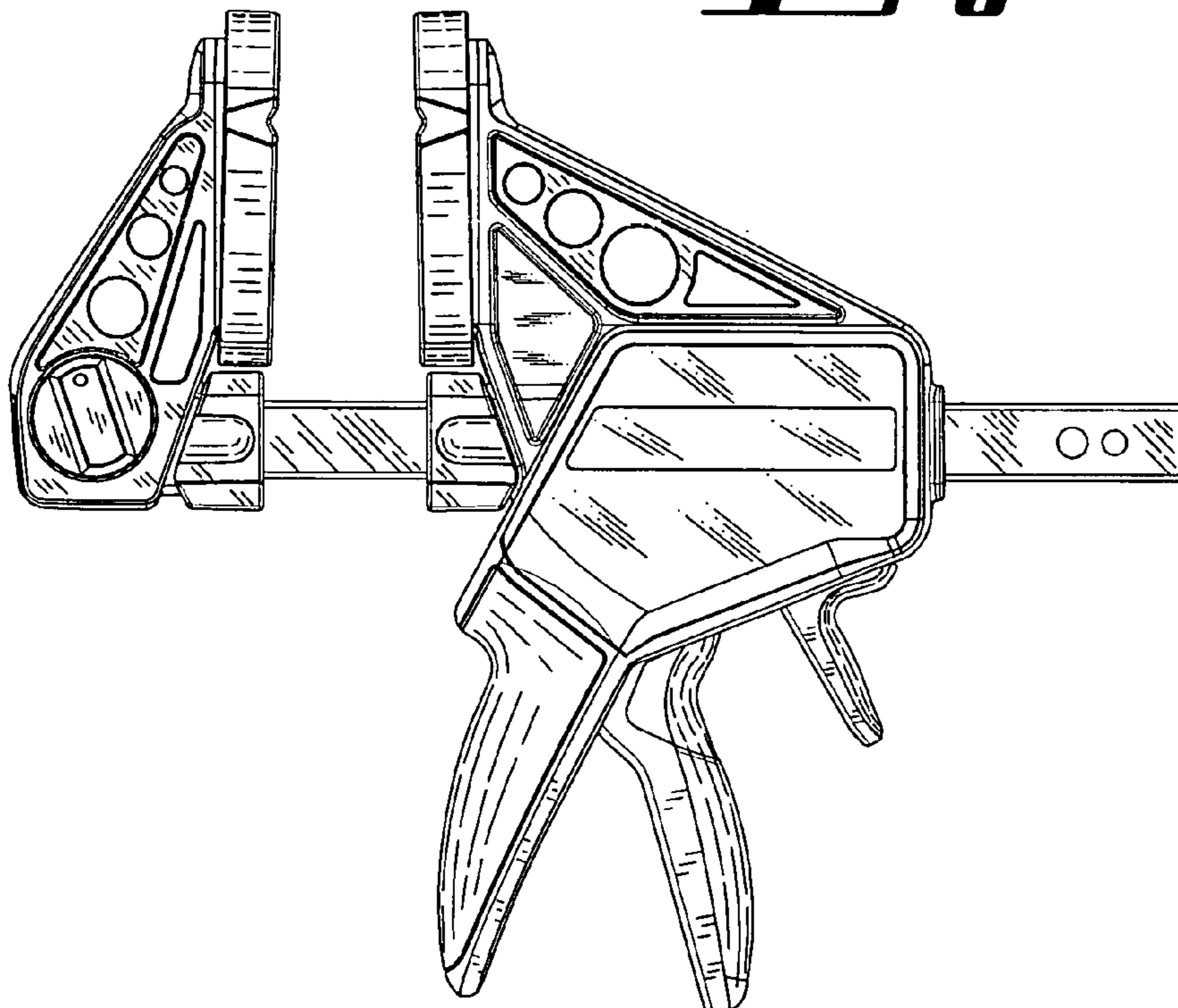


Fig. 3

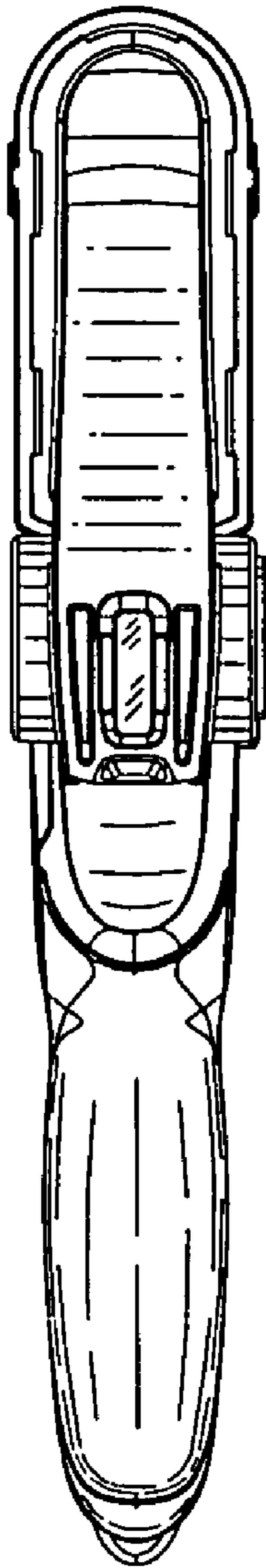


Fig. 4

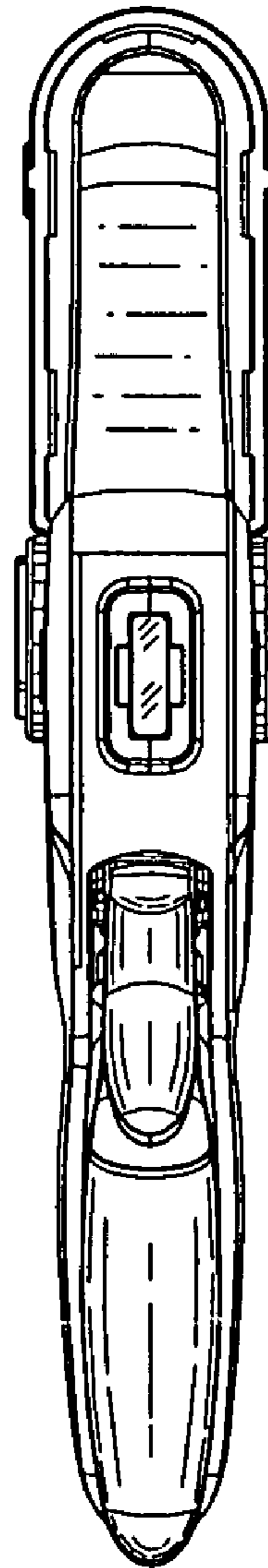


Fig. 5

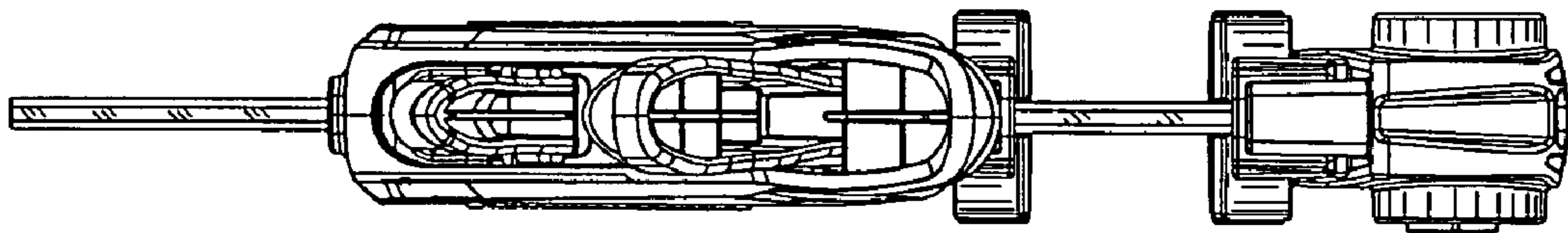


Fig. 6

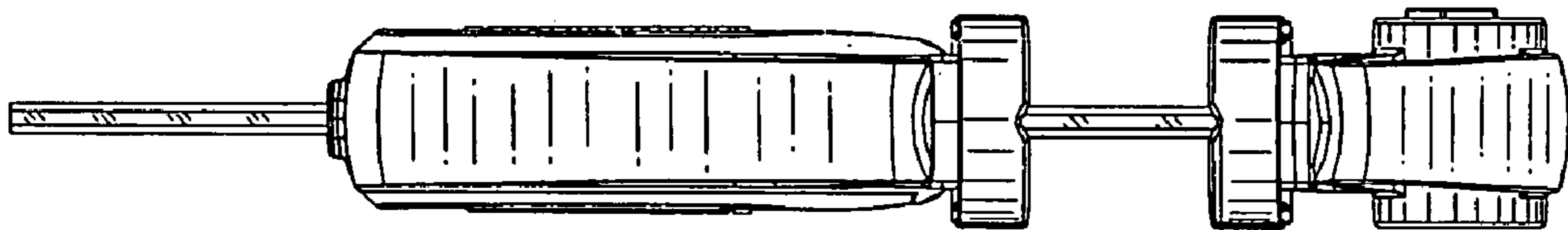


Fig. 7

