



US00D555453S

(12) **United States Design Patent**
Murray

(10) **Patent No.:** **US D555,453 S**

(45) **Date of Patent:** **** Nov. 20, 2007**

(54) **CUTTING HEAD**

(75) Inventor: **Christopher J. Murray**, Baltimore, MD (US)

(73) Assignee: **Black & Decker Inc.**, Newark, DE (US)

(**) Term: **14 Years**

(21) Appl. No.: **29/260,384**

(22) Filed: **May 24, 2006**

(51) **LOC (8) Cl.** **08-03**

(52) **U.S. Cl.** **D8/70**

(58) **Field of Classification Search** D8/5-9,
D8/57, 61, 70, 98, 99; 7/135; 30/228, 247,
30/262, 145, 206, 215, 232, 249, 252, 254,
30/258

See application file for complete search history.

(56) **References Cited**

U.S. PATENT DOCUMENTS

1,642,259	A *	9/1927	Morse	30/247
1,680,627	A *	8/1928	Mings et al.	30/228
2,047,483	A *	7/1936	McArdle et al.	30/228
2,125,556	A *	8/1938	Gleich	30/228
2,181,009	A *	11/1939	Brancato et al.	30/247
2,250,589	A *	7/1941	Lo Piccolo	30/247
2,316,486	A *	4/1943	Park	30/231
2,324,364	A *	7/1943	Collins	30/231
D144,288	S *	4/1946	Clark	D8/51
2,562,773	A *	7/1951	Clark	30/228
2,635,335	A *	4/1953	James	30/247
D209,442	S *	11/1967	Greene	D8/69
3,365,963	A *	1/1968	Happe	74/47
3,421,218	A *	1/1969	Thompson	30/228
3,474,534	A *	10/1969	Murphy	30/228
3,478,426	A *	11/1969	Greene	30/228
D217,705	S *	6/1970	Glaus	D8/61
3,579,828	A *	5/1971	Hexdall	30/251
D221,128	S *	7/1971	Current	D8/61
3,602,988	A *	9/1971	Little	30/228
D222,332	S *	10/1971	Current	D8/61
D222,660	S *	11/1971	Miles	D8/61
3,631,596	A *	1/1972	Glaus	30/228

D223,987	S *	6/1972	Gamble	D8/61
3,676,928	A *	7/1972	Herr et al.	30/228
3,698,087	A *	10/1972	Cowdrey et al.	30/228
D226,160	S *	1/1973	Laurenti	D8/61
D228,615	S *	10/1973	Hall	D8/61
D296,516	S *	7/1988	Doyel	D8/69
D496,572	S *	9/2004	Lammers et al.	D8/61
D507,953	S *	8/2005	Watson et al.	D8/69
D512,623	S *	12/2005	Huang	D8/70
D538,613	S *	3/2007	Murray	D8/61
D539,107	S *	3/2007	Chu	D8/62
D542,108	S *	5/2007	Chu	D8/61

* cited by examiner

Primary Examiner—T. Chase Nelson

Assistant Examiner—Karen Acker

(74) *Attorney, Agent, or Firm*—Wesley W. Muller; Bruce Shapiro

(57) **CLAIM**

The ornamental design for a cutting head, as shown and described.

DESCRIPTION

FIG. 1 is a perspective view of a cutting head according to the present invention;

FIG. 2 is an elevated front view of the cutting head of FIG. 1;

FIG. 3 is an elevated rear view of the cutting head of FIG. 1;

FIG. 4 is a right side view of the cutting head of FIG. 1;

FIG. 5 is a left side view of the cutting head of FIG. 1;

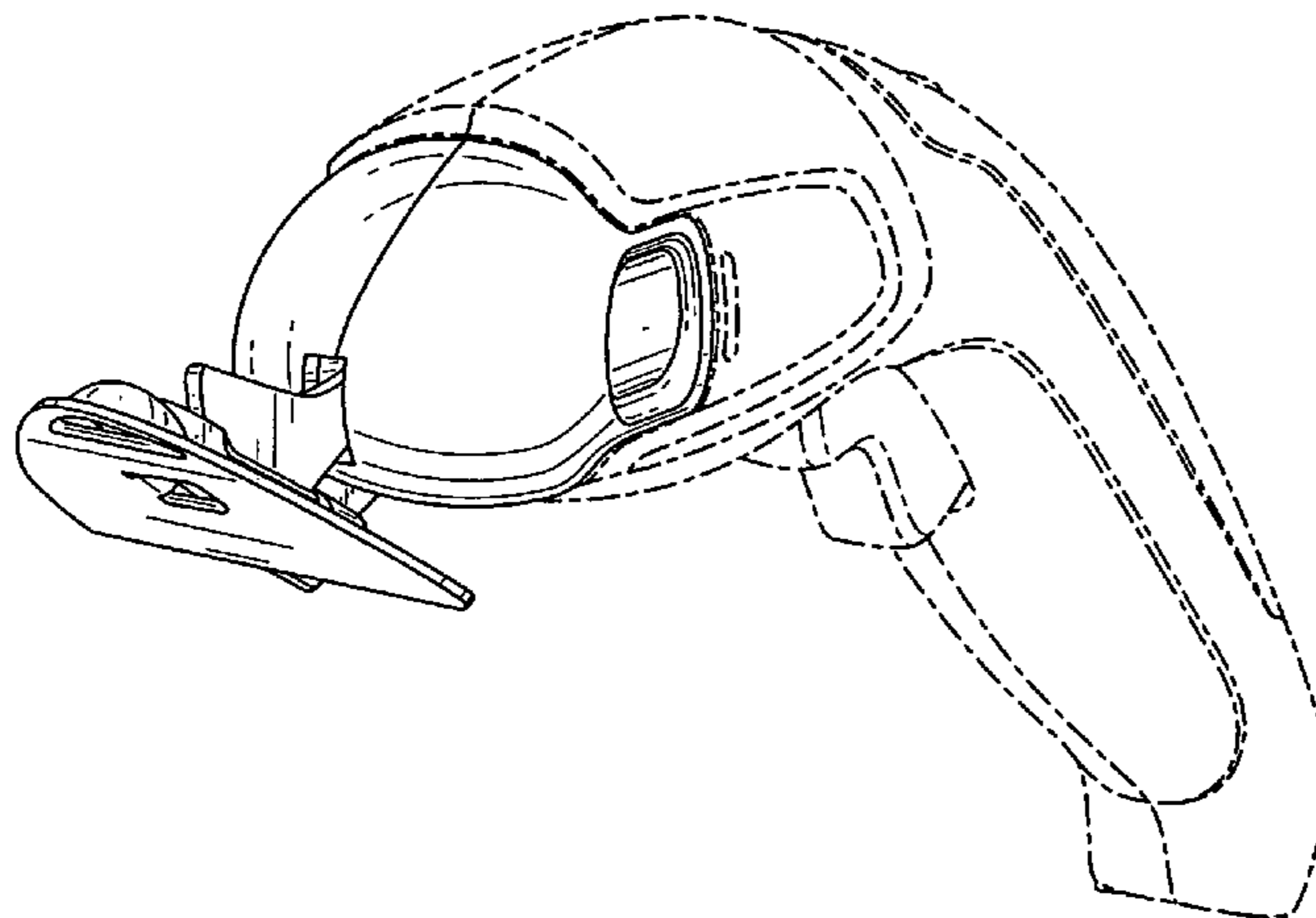
FIG. 6 is a top view of the cutting head of FIG. 1;

FIG. 7 is a bottom view of the cutting head of FIG. 1; and,

FIG. 8 is a perspective view of the cutting head of FIG. 1 attached to a handle.

The broken lines in the figures merely illustrate the environment for the cutting head of the present design and therefore form no part of the claimed design.

1 Claim, 5 Drawing Sheets



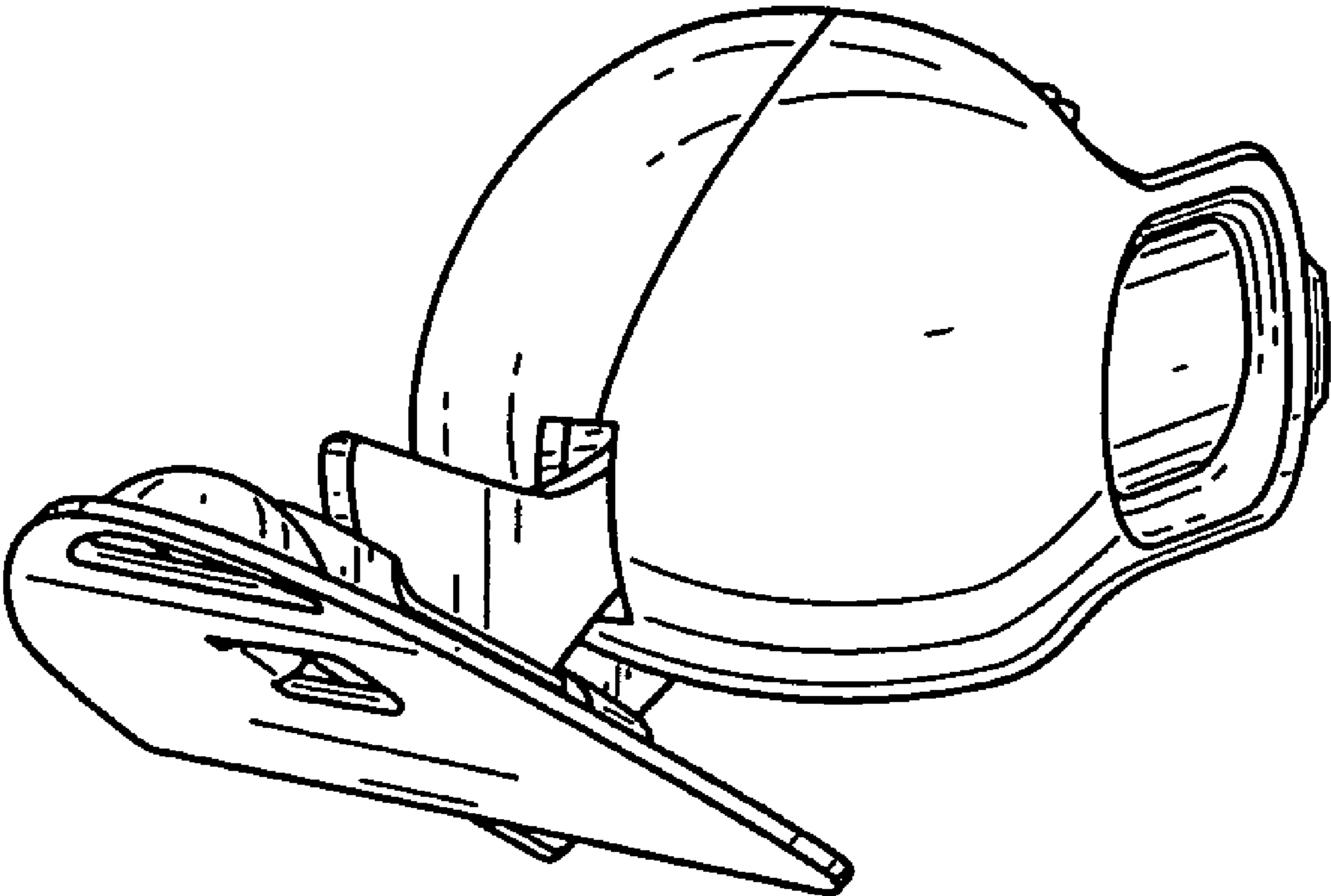


FIG. 1

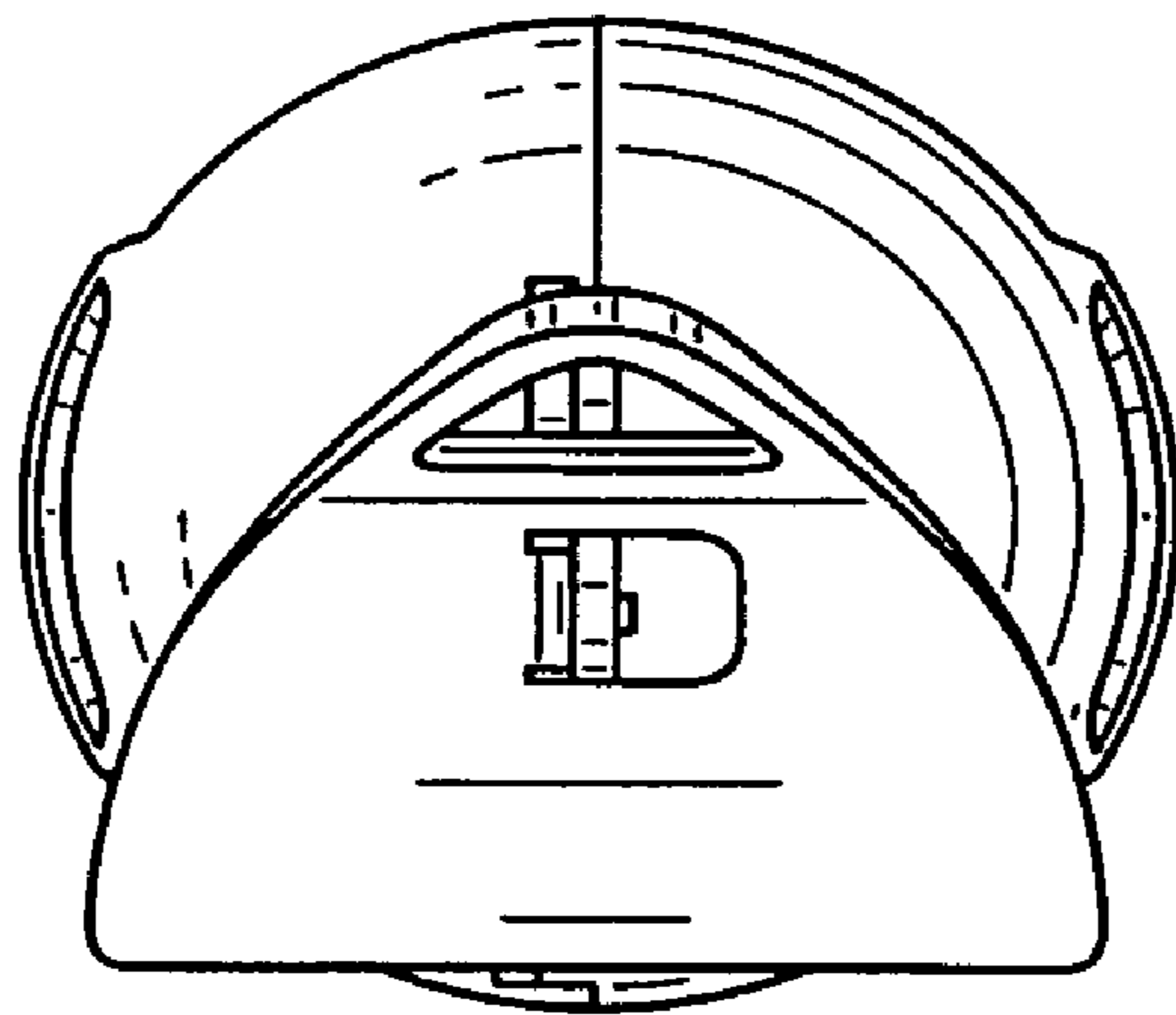


FIG. 2

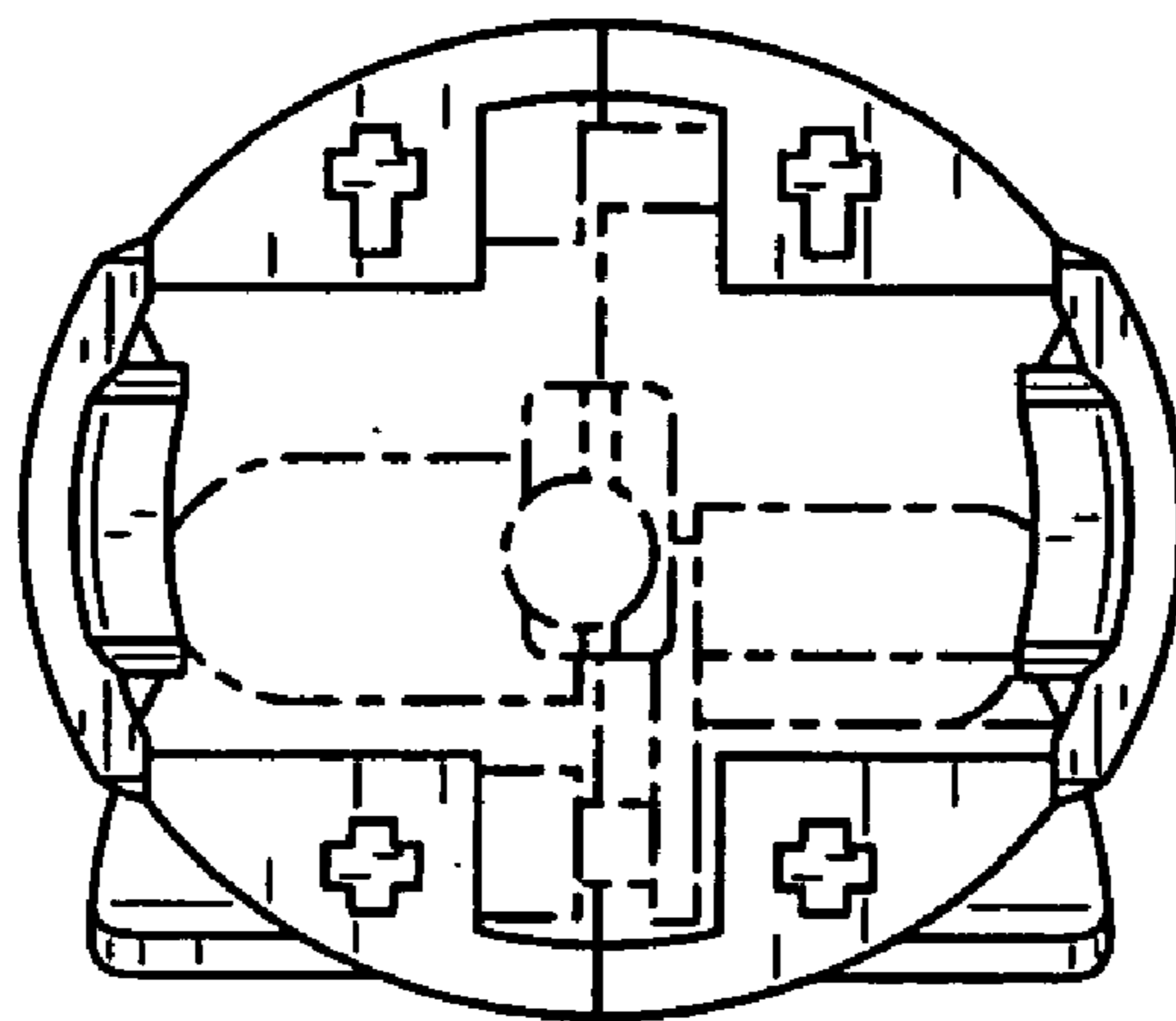


FIG. 3

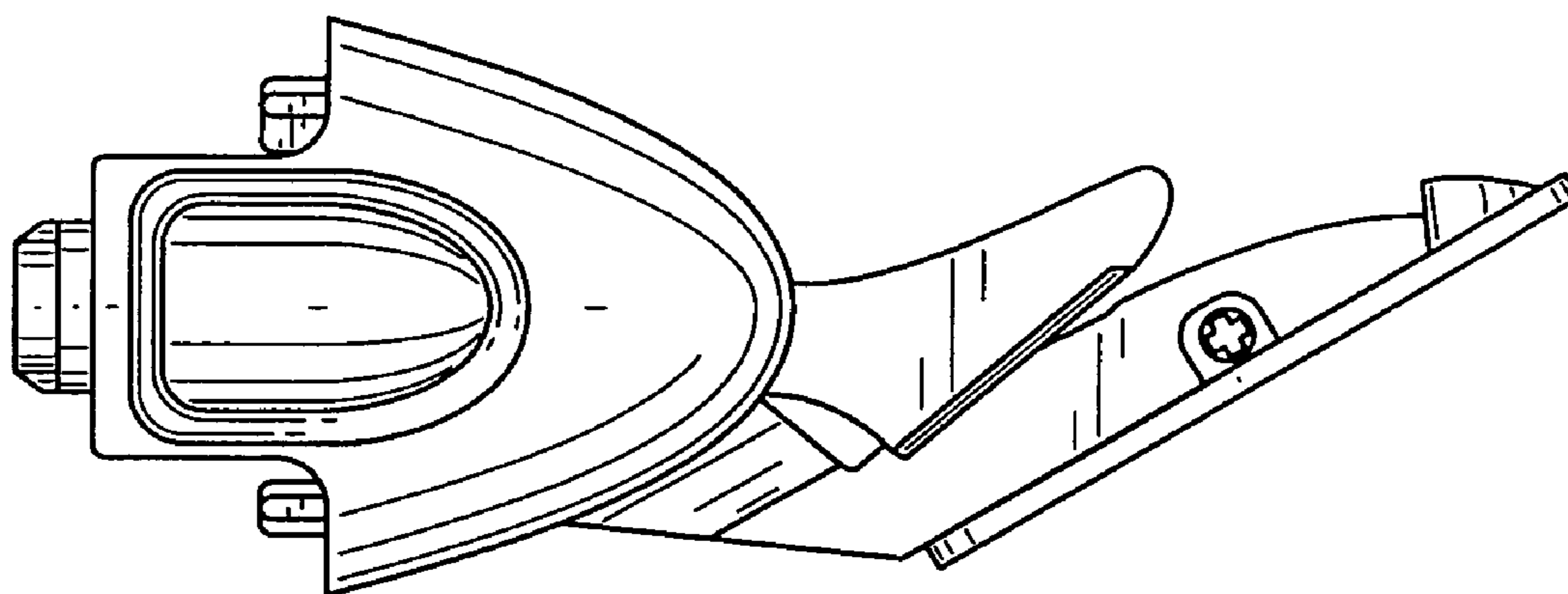


FIG. 4

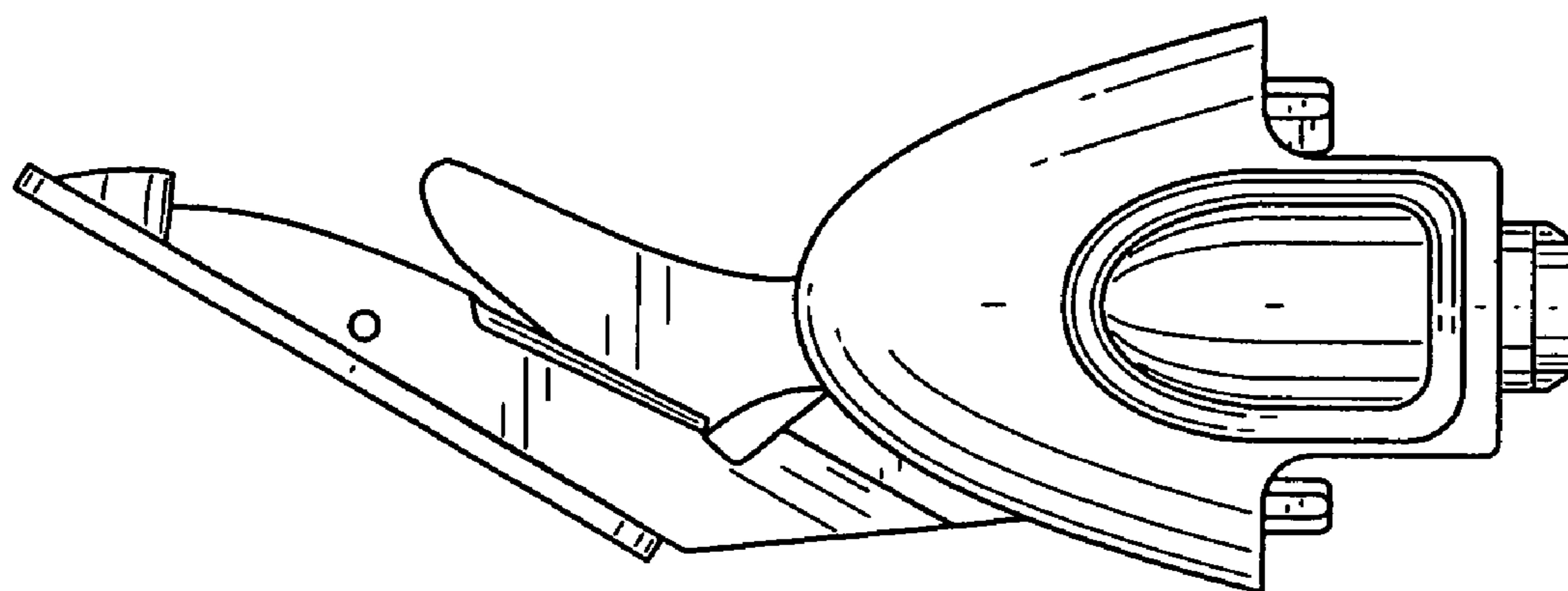


FIG. 5

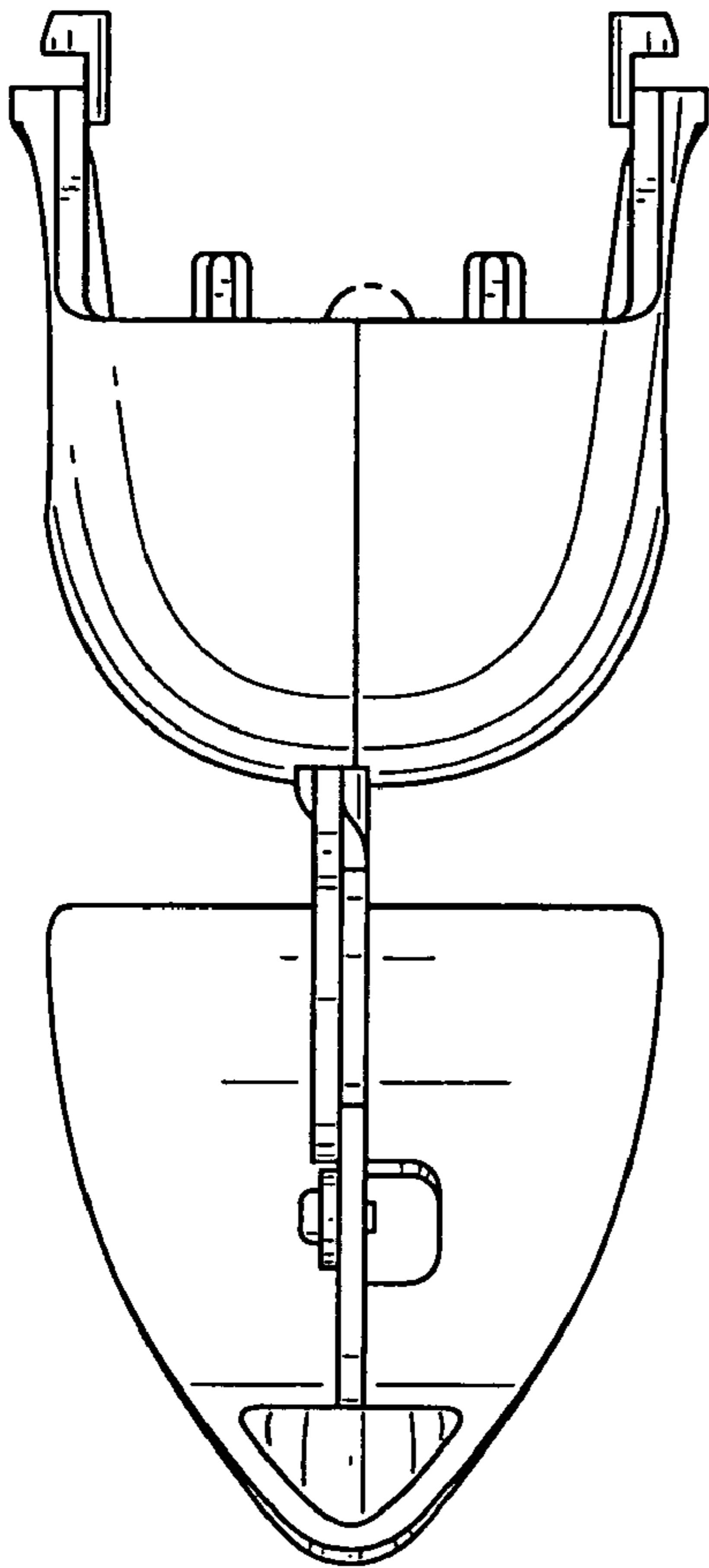


FIG. 6

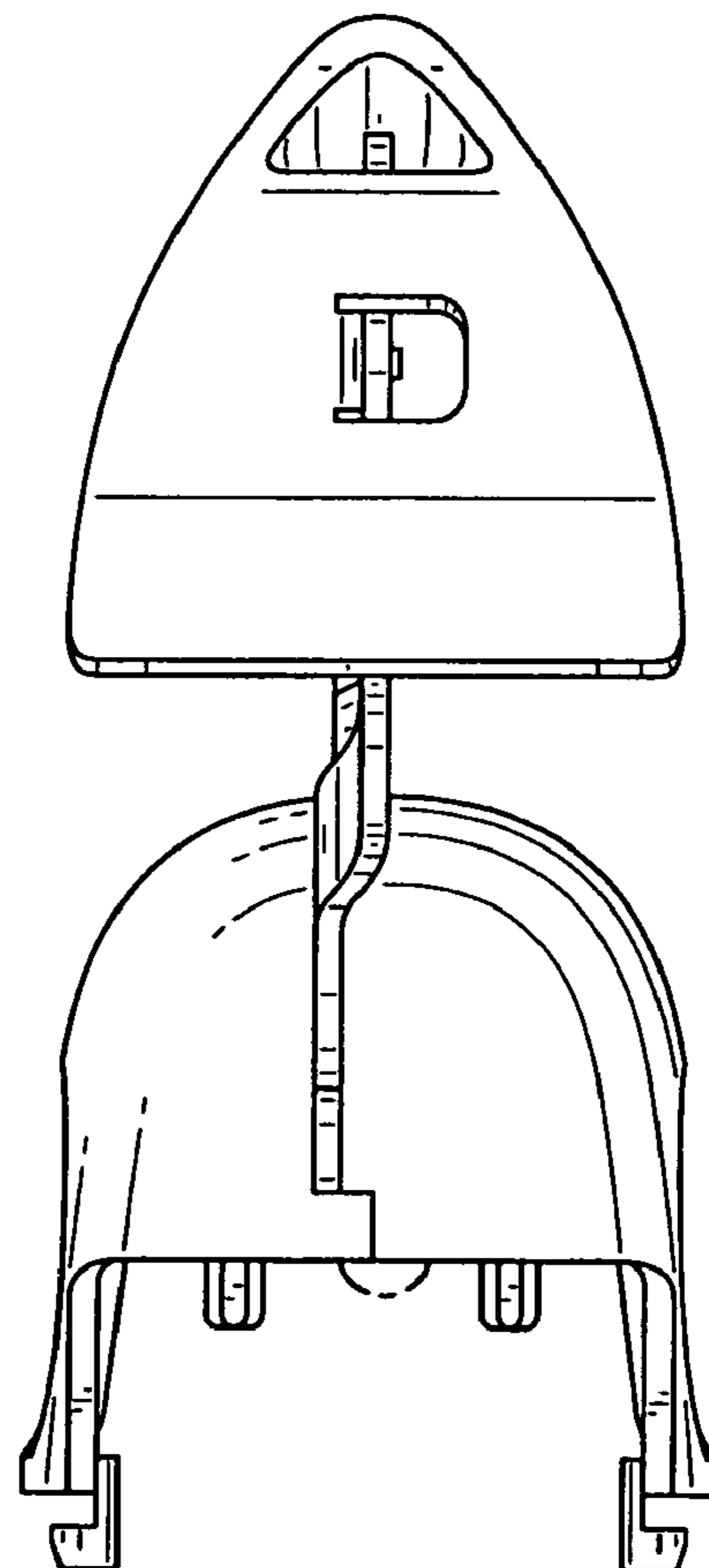


FIG. 7

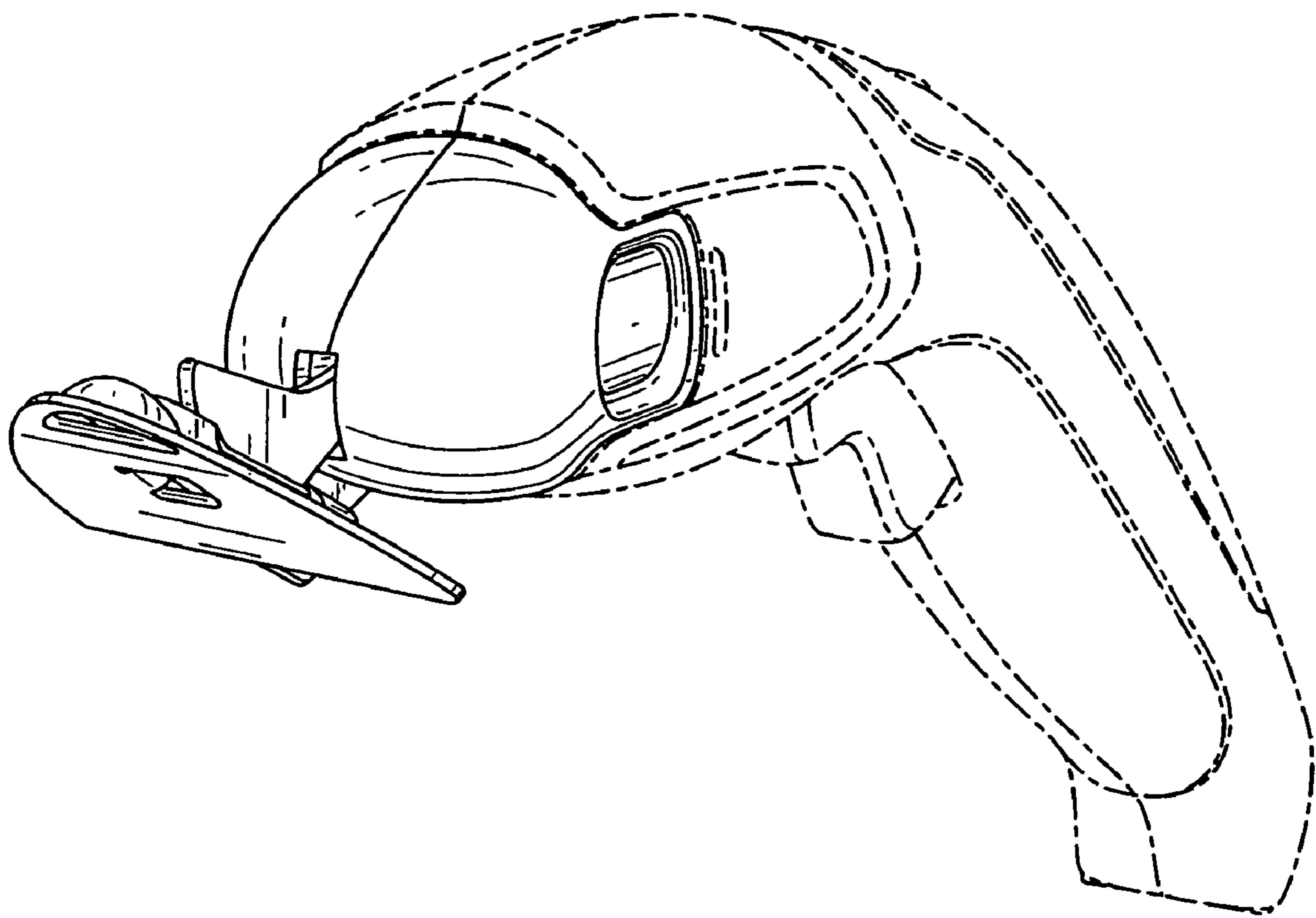


FIG. 8