



US00D555452S

(12) **United States Design Patent**  
**Murray**

(10) **Patent No.:** **US D555,452 S**

(45) **Date of Patent:** **\*\* Nov. 20, 2007**

(54) **CUTTING HEAD**

(75) Inventor: **Christopher J. Murray**, Baltimore, MD (US)

(73) Assignee: **Black & Decker Inc.**, Newark, DE (US)

(\*\*) Term: **14 Years**

(21) Appl. No.: **29/260,381**

(22) Filed: **May 24, 2006**

(51) **LOC (8) Cl.** ..... **08-03**

(52) **U.S. Cl.** ..... **D8/70**

(58) **Field of Classification Search** ..... D8/5-9, D8/57, 61, 70, 98, 99; 7/135; 30/228, 247, 30/262, 145, 206, 215, 232, 249, 252, 254, 30/258

See application file for complete search history.

(56) **References Cited**

**U.S. PATENT DOCUMENTS**

1,642,259	A *	9/1927	Morse	.....	30/247
1,802,571	A *	4/1931	Orussa	.....	30/228
D120,817	S *	5/1940	Pollack	.....	D8/61
D144,288	S *	4/1946	Clarke	.....	D8/51
2,490,086	A *	12/1949	Page	.....	30/228
2,562,773	A *	7/1951	Clark	.....	30/228
2,635,335	A *	4/1953	James	.....	30/247
2,653,375	A *	9/1953	Alexander	.....	29/90.01
D202,781	S *	11/1965	Temme	.....	D8/61
D209,442	S *	11/1967	Greene	.....	D8/69
3,365,963	A *	1/1968	Happe	.....	74/47
D210,441	S *	3/1968	Dreyfuss	.....	D8/61
3,474,534	A *	10/1969	Murphy	.....	30/228
3,478,426	A *	11/1969	Greene	.....	30/228
D219,123	S *	11/1970	Eckel	.....	D8/61
D220,378	S *	4/1971	Gamble	.....	D8/61
D221,127	S *	7/1971	Current	.....	D8/51
D221,128	S *	7/1971	Current	.....	D8/61
3,602,988	A *	9/1971	Little	.....	30/228
D222,332	S *	10/1971	Current	.....	D8/61
D222,660	S *	11/1971	Miles	.....	D8/61
3,631,596	A *	1/1972	Glaus	.....	30/228
3,654,700	A *	4/1972	Pawloski	.....	30/247
D223,987	S *	6/1972	Gamble	.....	D8/61

3,676,928	A *	7/1972	Herr et al.	.....	30/228
D226,055	S *	1/1973	Sumida	.....	D8/61
D228,615	S *	10/1973	Hall	.....	D8/61
D229,023	S *	11/1973	Laurenti	.....	D8/61
D230,249	S *	2/1974	Miles	.....	D8/61
5,353,504	A *	10/1994	Pai	.....	30/22
D413,241	S *	8/1999	Lai	.....	D8/61
D443,806	S *	6/2001	Fladgard et al.	.....	D8/61
D459,181	S *	6/2002	Morgan	.....	D8/68
D496,572	S *	9/2004	Lammers et al.	.....	D8/61
D538,613	S *	3/2007	Murray	.....	D8/61
D542,108	S *	5/2007	Chu	.....	D8/61

\* cited by examiner

*Primary Examiner*—T. Chase Nelson

*Assistant Examiner*—Karen Acker

(74) *Attorney, Agent, or Firm*—Wesley W. Muller; Bruce Shapiro

(57) **CLAIM**

The ornamental design for a cutting head, as shown and described.

**DESCRIPTION**

FIG. 1 is a perspective view of a cutting head according to the present invention;

FIG. 2 is an elevated front view of the cutting head of FIG. 1;

FIG. 3 is an elevated rear view of the cutting head of FIG. 1;

FIG. 4 is a right side view of the cutting head of FIG. 1;

FIG. 5 is a left side view of the cutting head of FIG. 1;

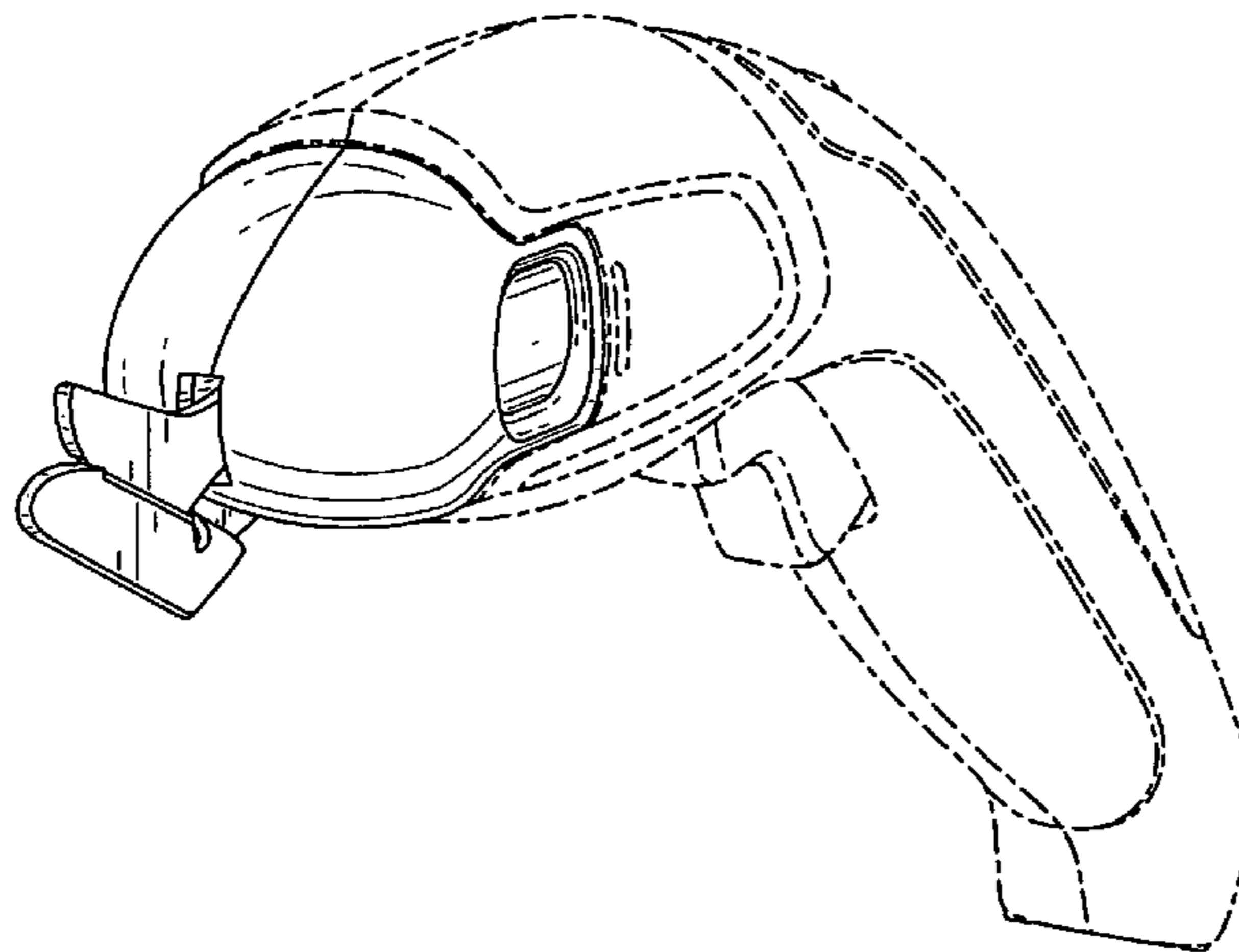
FIG. 6 is a top view of the cutting head of FIG. 1;

FIG. 7 is a bottom view of the cutting head of FIG. 1; and,

FIG. 8 is a perspective view of the cutting head of FIG. 1 attached to a handle.

The broken lines in the figures merely illustrate the environment for the cutting head of the present design and therefore form no part of the claimed design.

**1 Claim, 5 Drawing Sheets**



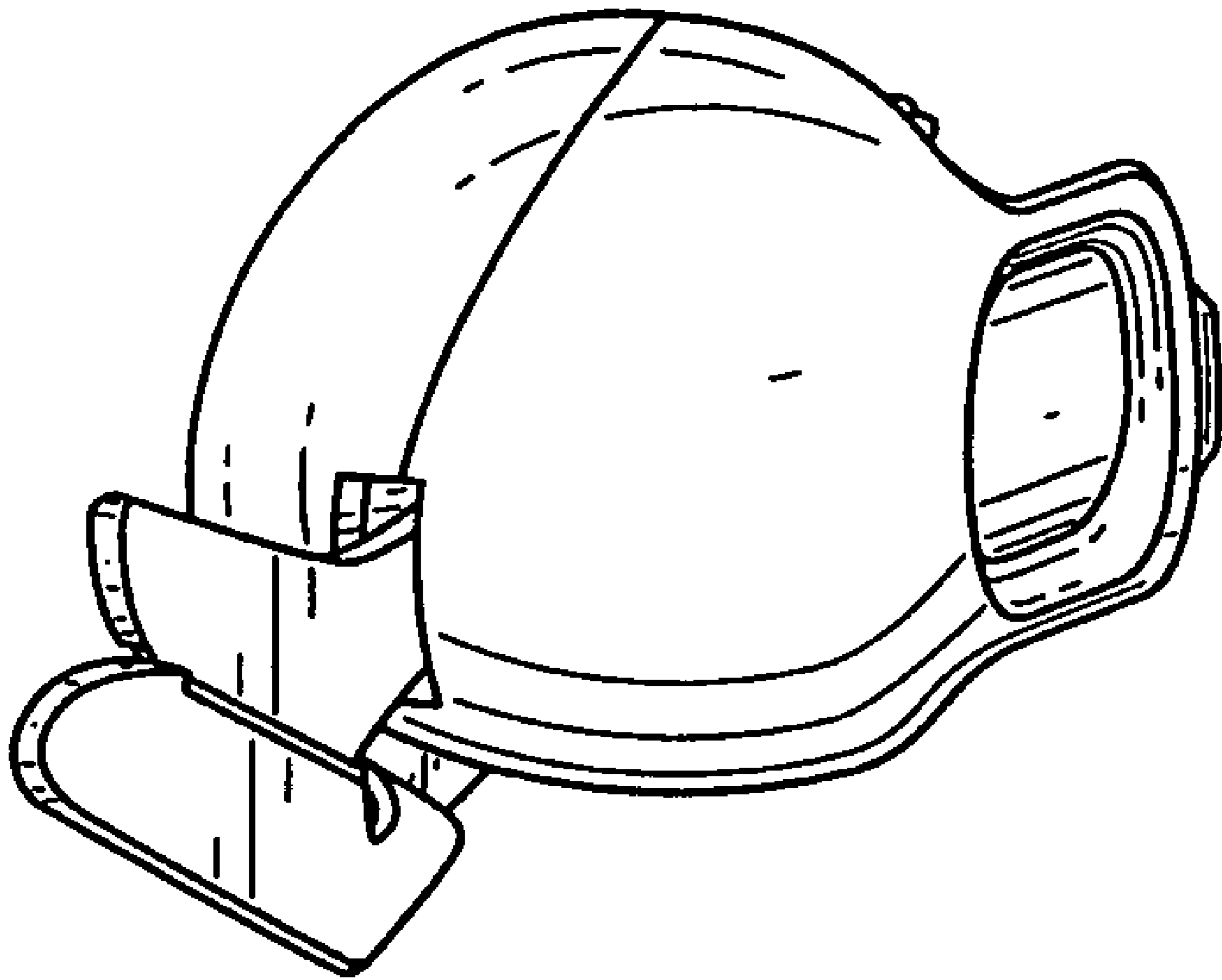


FIG. 1

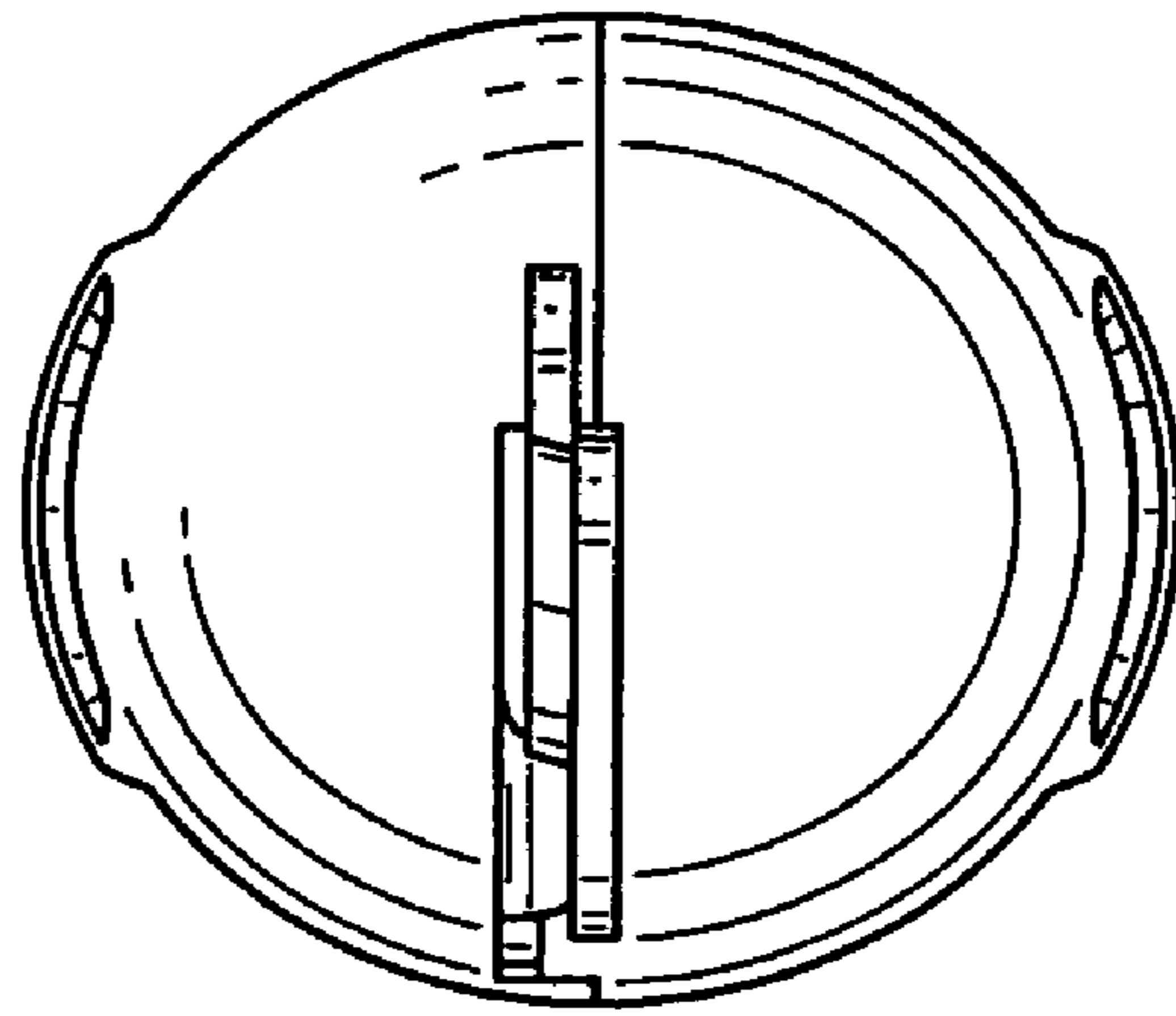


FIG. 2

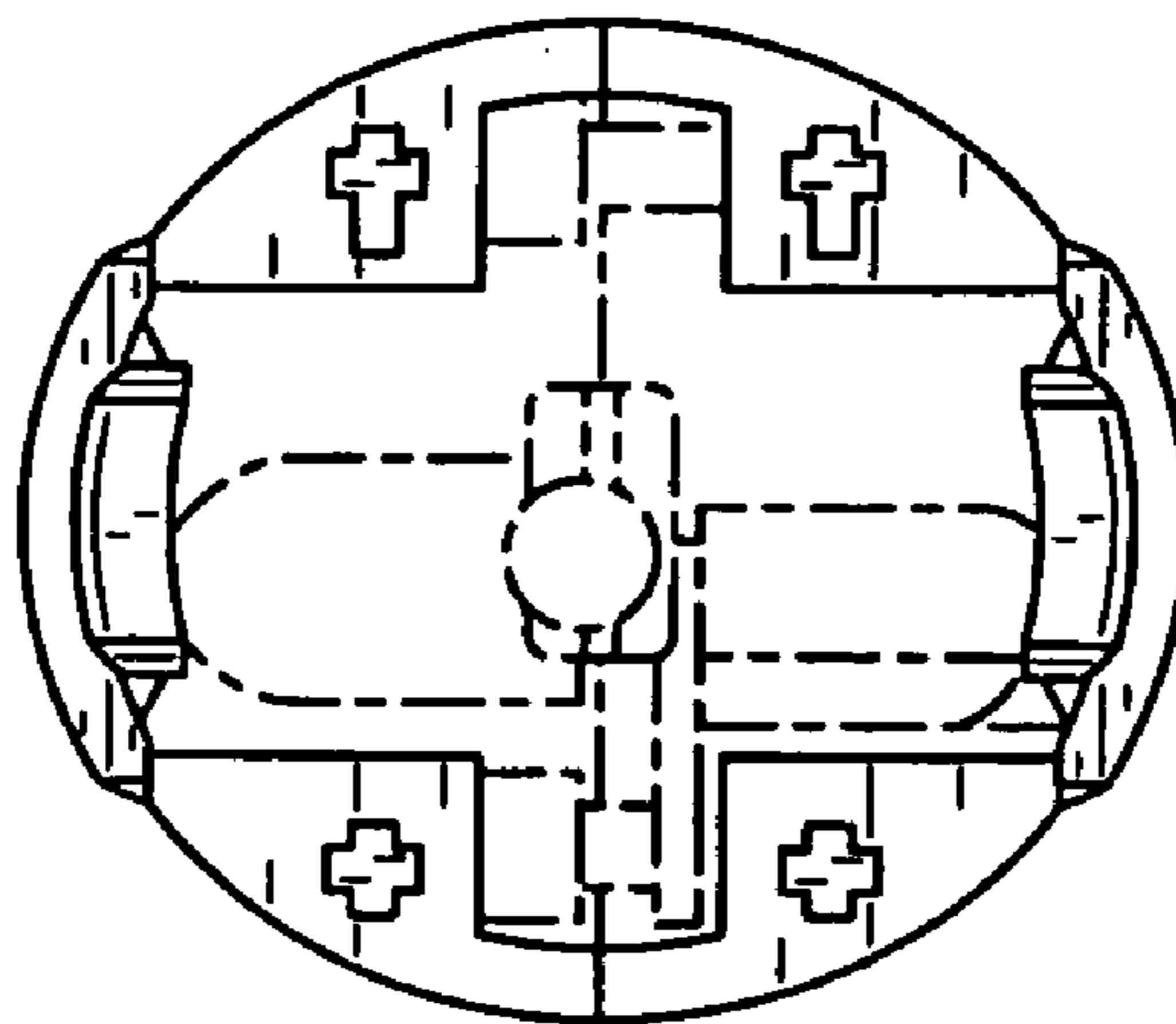


FIG. 3

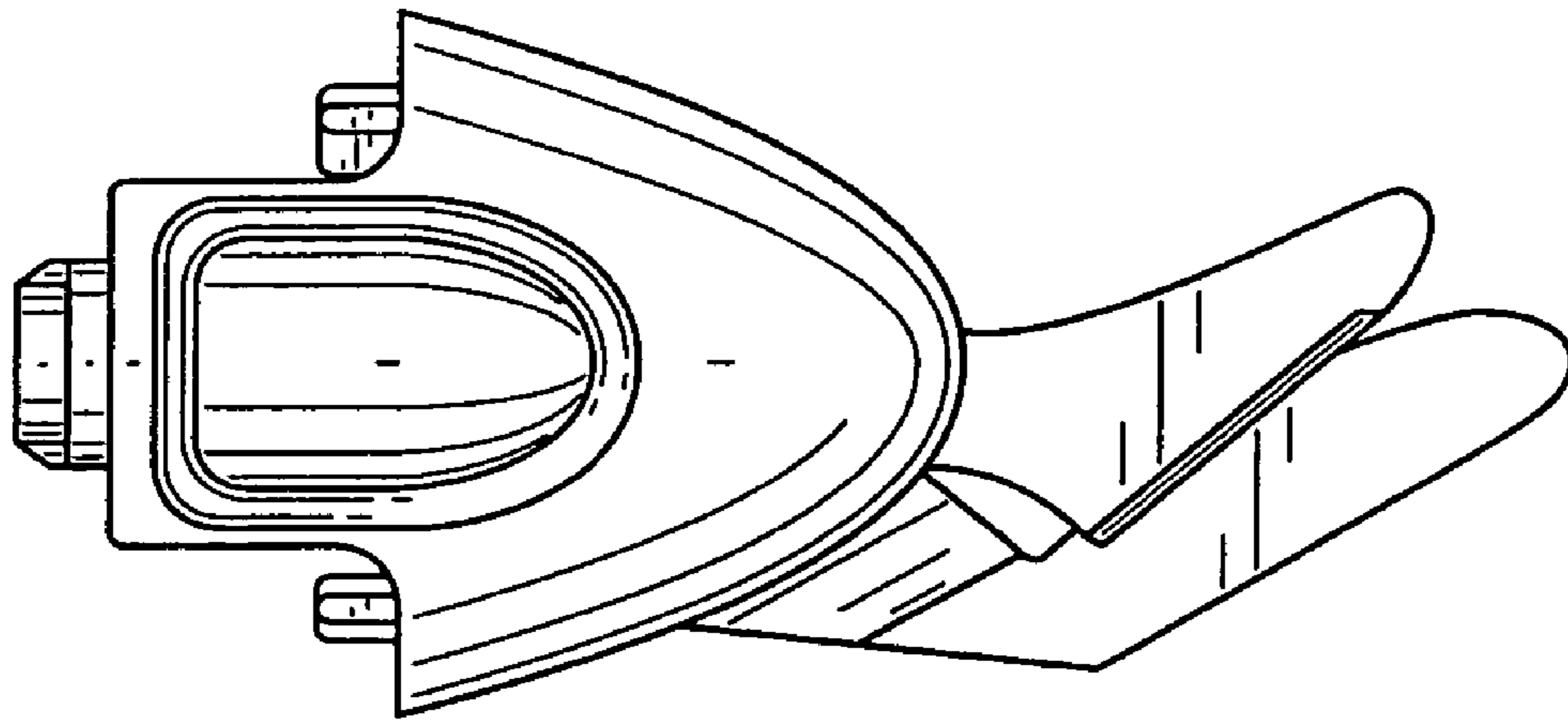


FIG. 4

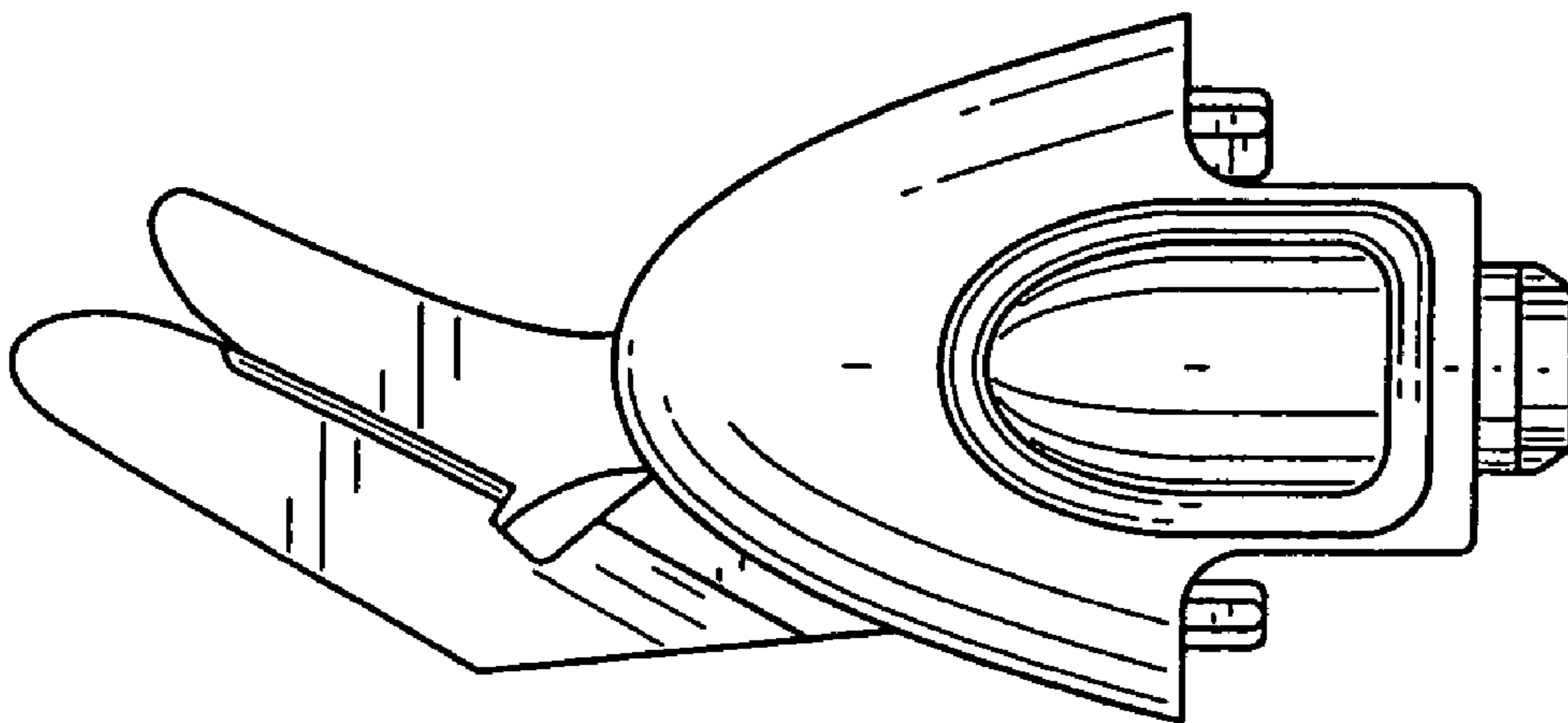


FIG. 5

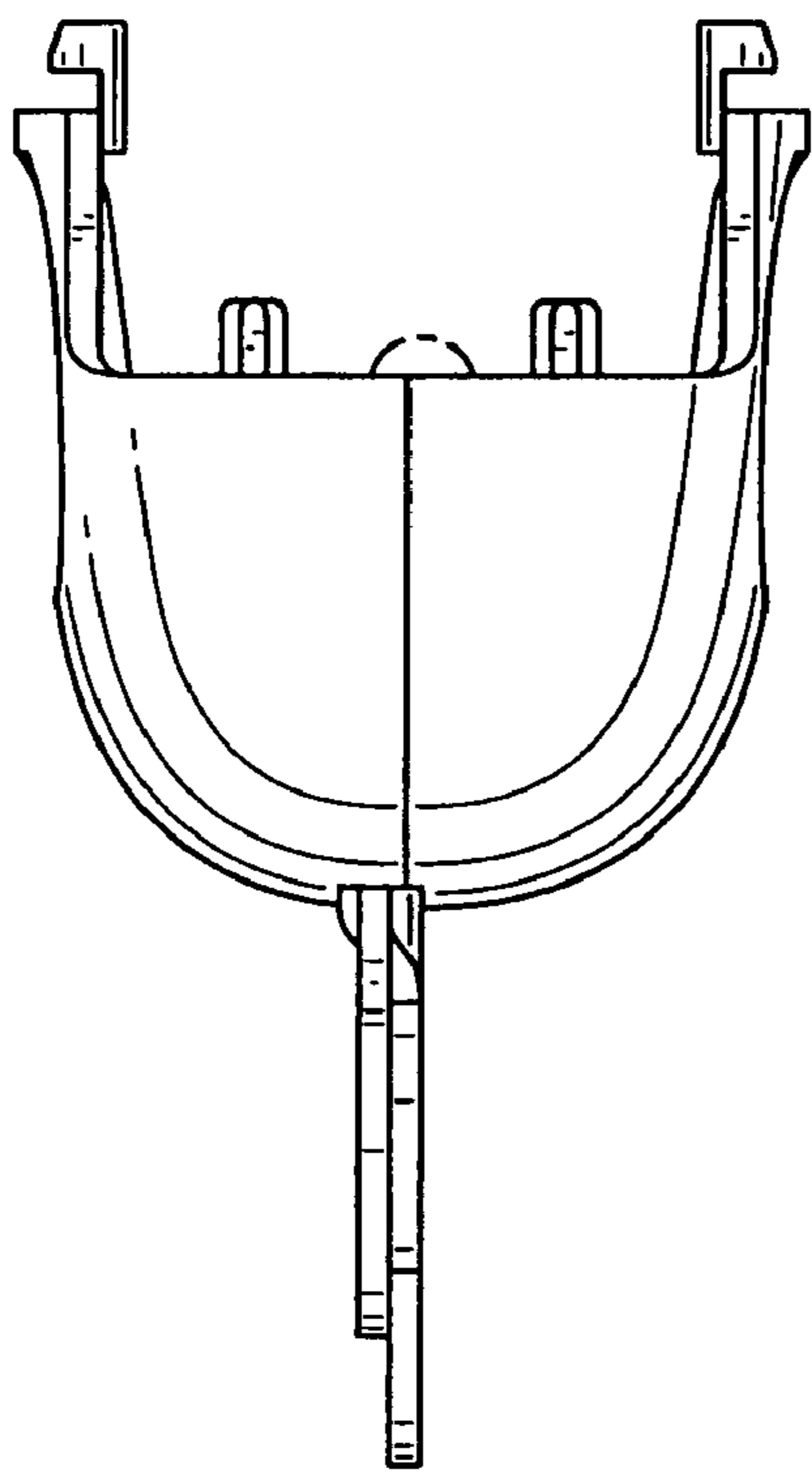


FIG. 6

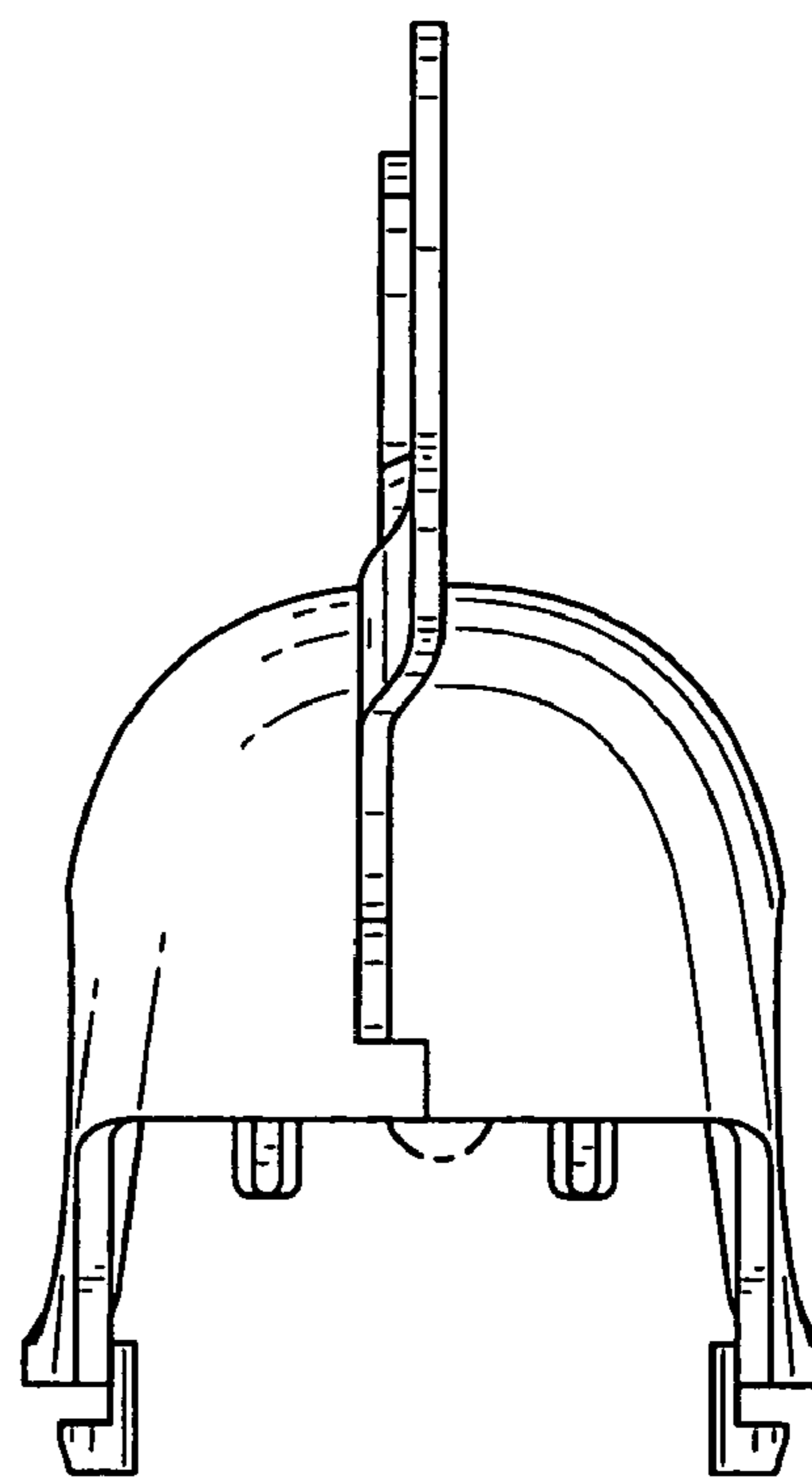


FIG. 7

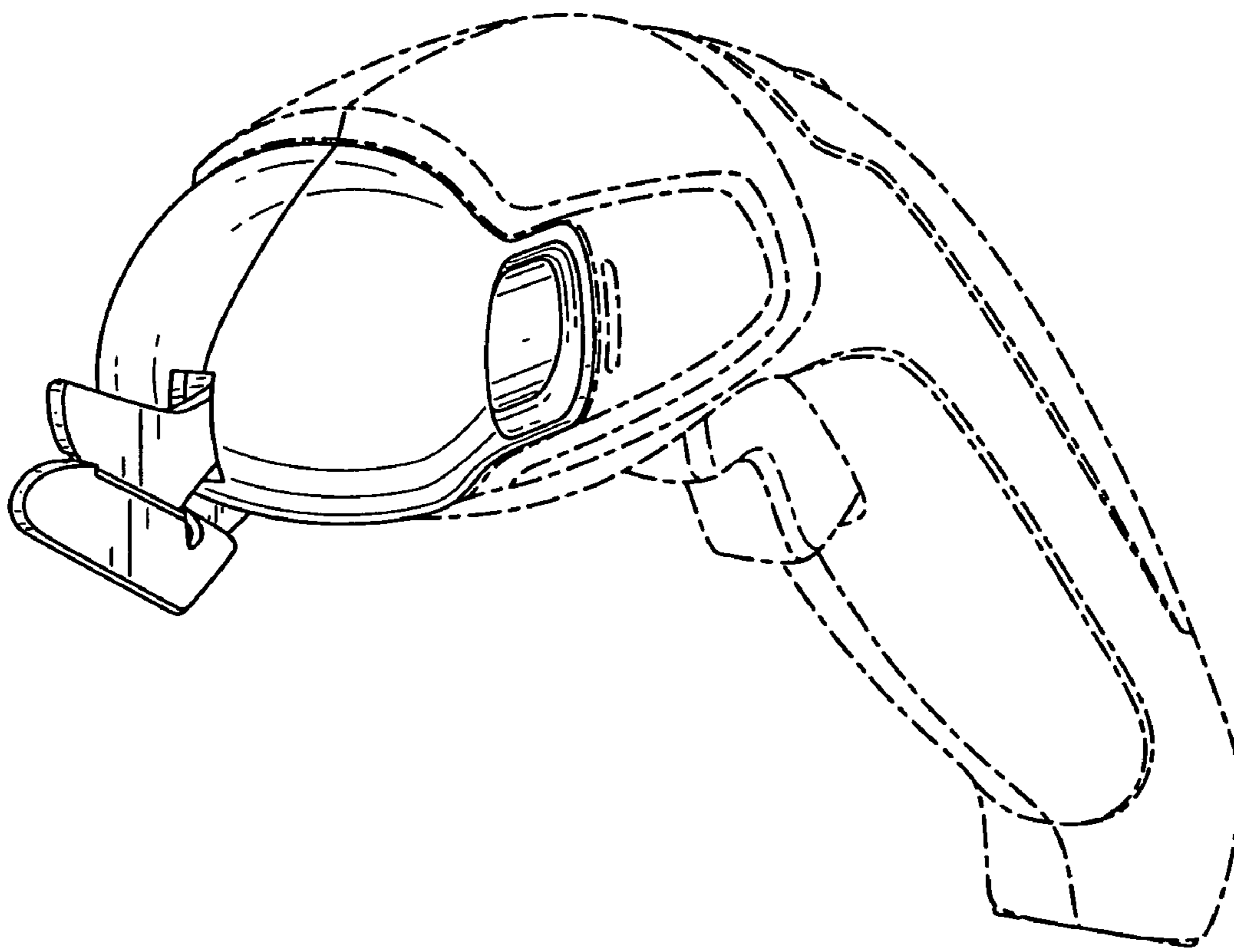


FIG. 8