



US00D555451S

(12) **United States Design Patent**
Okuda et al.

(10) **Patent No.:** **US D555,451 S**

(45) **Date of Patent:** **** Nov. 20, 2007**

(54) **PORTABLE ELECTRIC HAMMER DRILL**

(75) Inventors: **Shinsuke Okuda**, Anjo (JP); **Takahiro Kawakami**, Anjo (JP); **Takuro Konishi**, Anjo (JP)

(73) Assignee: **Makita Corporation**, Anjo-shi (JP)

(**) Term: **14 Years**

(21) Appl. No.: **29/269,640**

(22) Filed: **Dec. 6, 2006**

(30) **Foreign Application Priority Data**

Jun. 13, 2006 (JP) 2006-015156

(51) **LOC (8) Cl.** **08-01**

(52) **U.S. Cl.** **D8/69**

(58) **Field of Classification Search** D8/14.1, D8/61-70; 81/57.11, 429, 454-456, 469, 81/489; 173/13, 104, 114, 168-171, 178, 173/201, 211, 213, 217; 408/20, 124, 125, 408/234, 241 R; 451/358; 310/50; 227/8, 227/113, 114, 120, 130, 136, 142

See application file for complete search history.

(56) **References Cited**

U.S. PATENT DOCUMENTS

4,365,962 A * 12/1982 Regelsberger 173/104
4,998,588 A * 3/1991 Manschitz 173/104
D320,918 S * 10/1991 Mochida D8/68
D349,029 S * 7/1994 Matsunaga et al. D8/69
D361,252 S * 8/1995 De Neergaard et al. D8/69
D378,654 S * 4/1997 Matsuoka et al. D8/69
D380,132 S * 6/1997 Matsunaga et al. D8/69
D395,586 S * 6/1998 Arakawa et al. D8/69
D447,032 S * 8/2001 Schoen et al. D8/67
D474,092 S 5/2003 Stirm

D509,120 S * 9/2005 Okuda et al. D8/69
6,971,456 B2 * 12/2005 Yamada et al. 173/168
D525,849 S * 8/2006 Hayakawa et al. D8/69
D526,179 S * 8/2006 Hayakawa et al. D8/69
D528,393 S * 9/2006 Stirm D8/69
7,182,150 B2 * 2/2007 Grossman 173/171
2003/0094294 A1 * 5/2003 Fritz 173/171
2003/0116332 A1 * 6/2003 Nadig et al. 173/104
2004/0211575 A1 * 10/2004 Soika et al. 173/217
2005/0087353 A1 * 4/2005 Oki et al. 173/170
2006/0060365 A1 * 3/2006 Kunz 173/217
2006/0144603 A1 * 7/2006 Arich et al. 173/114
2006/0144604 A1 * 7/2006 Soika et al. 173/211
2007/0125563 A1 * 6/2007 Furusawa et al. 173/201

FOREIGN PATENT DOCUMENTS

GB 3001470 S * 2/2002

* cited by examiner

Primary Examiner—T. Chase Nelson

(74) *Attorney, Agent, or Firm*—Oliff & Berridge, PLC

(57) **CLAIM**

The ornamental design for a portable electric hammer drill, as shown and described.

DESCRIPTION

FIG. 1 is a perspective view of a portable electric hammer drill showing our new design;

FIG. 2 is a front elevation view thereof;

FIG. 3 is a rear elevation view thereof;

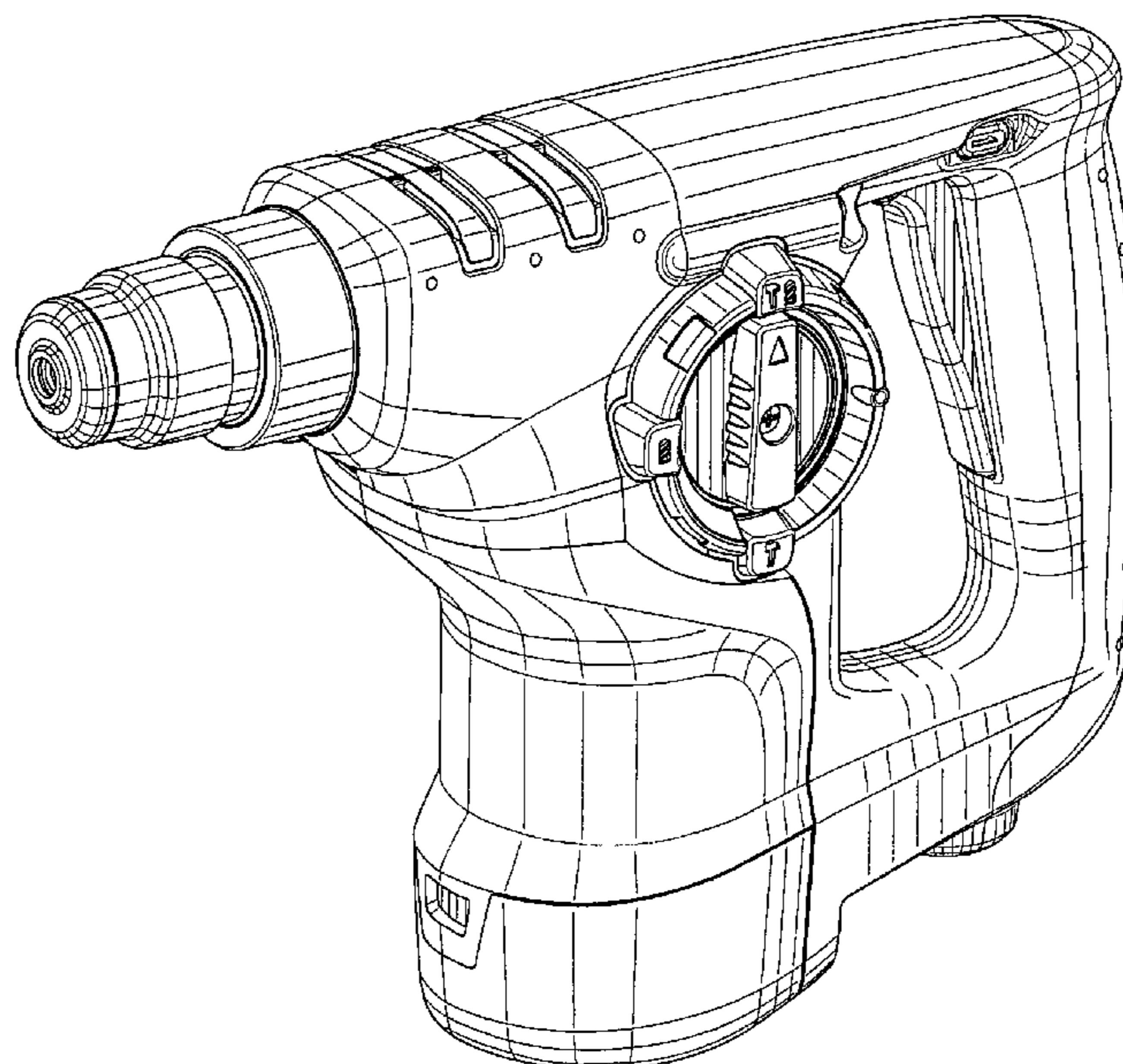
FIG. 4 is a left side elevation view thereof;

FIG. 5 is a right side elevation view thereof;

FIG. 6 is a top plan view thereof; and,

FIG. 7 is a bottom plan view thereof.

1 Claim, 5 Drawing Sheets



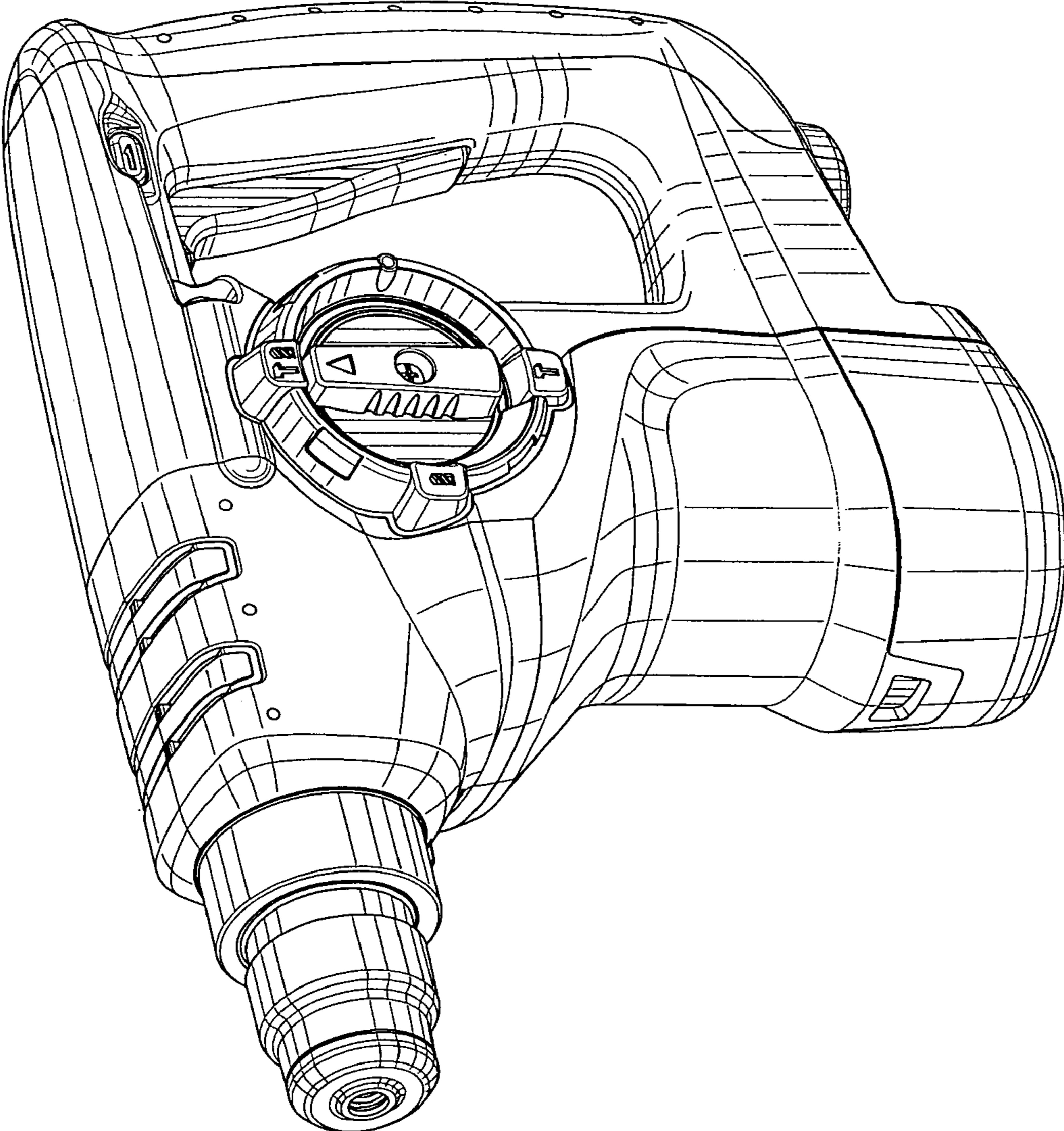


FIG. 1

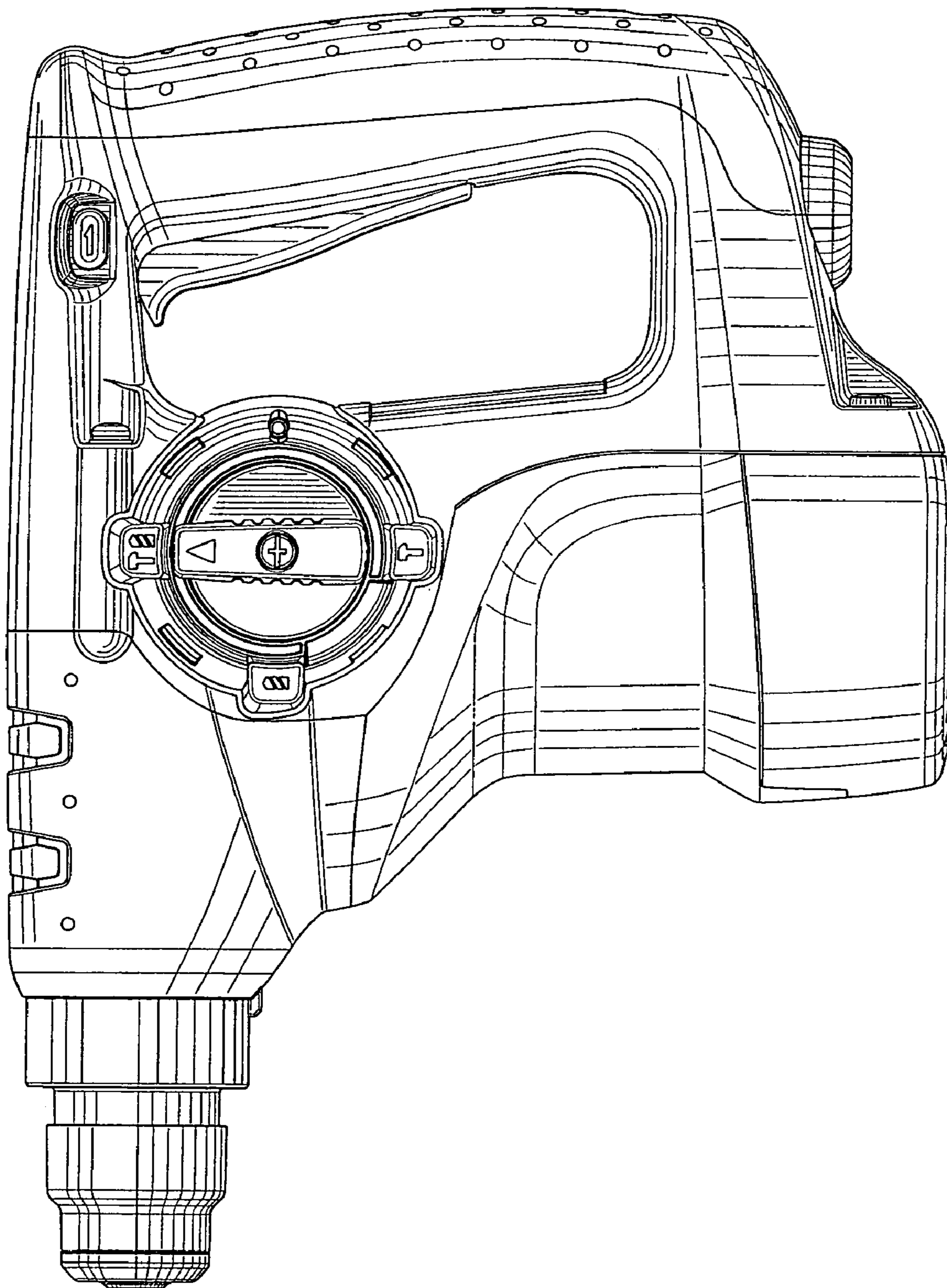


FIG. 2

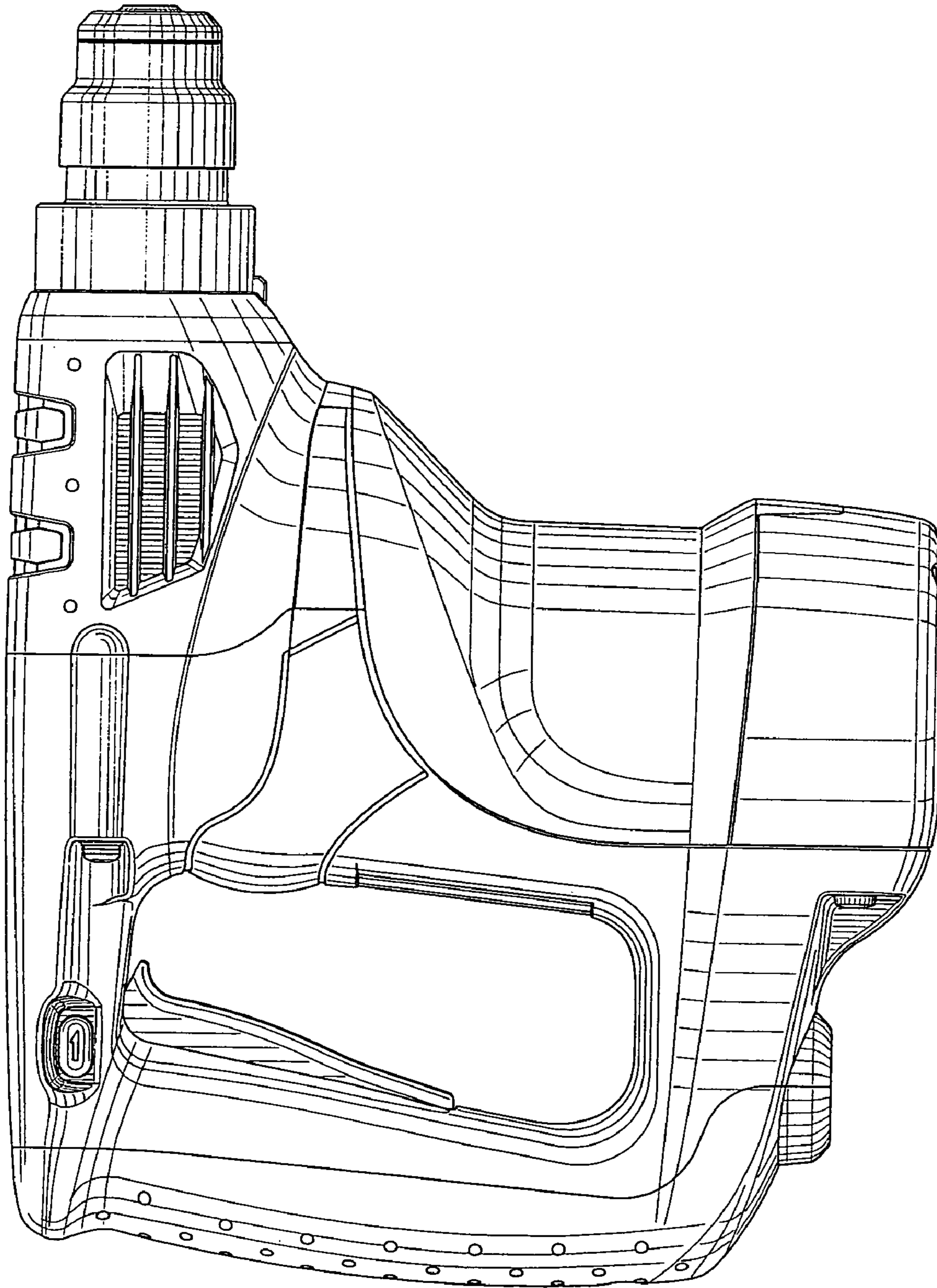


FIG. 3

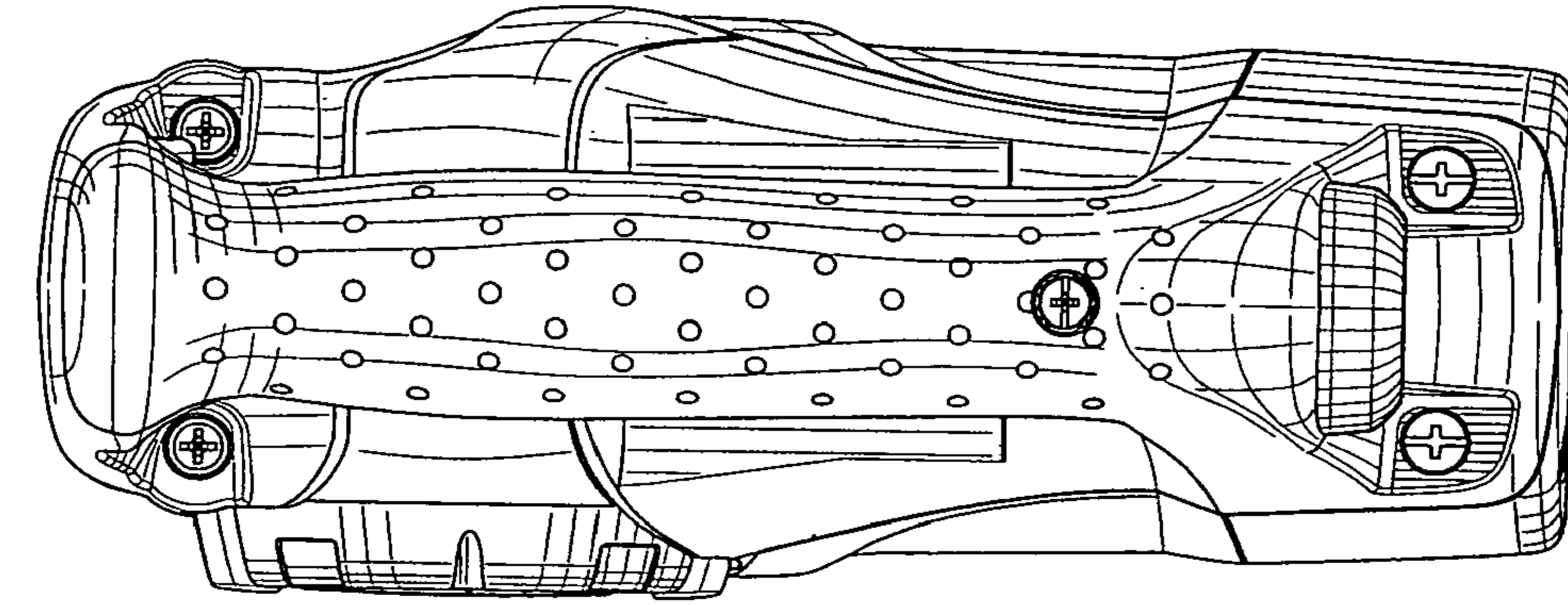


FIG. 5

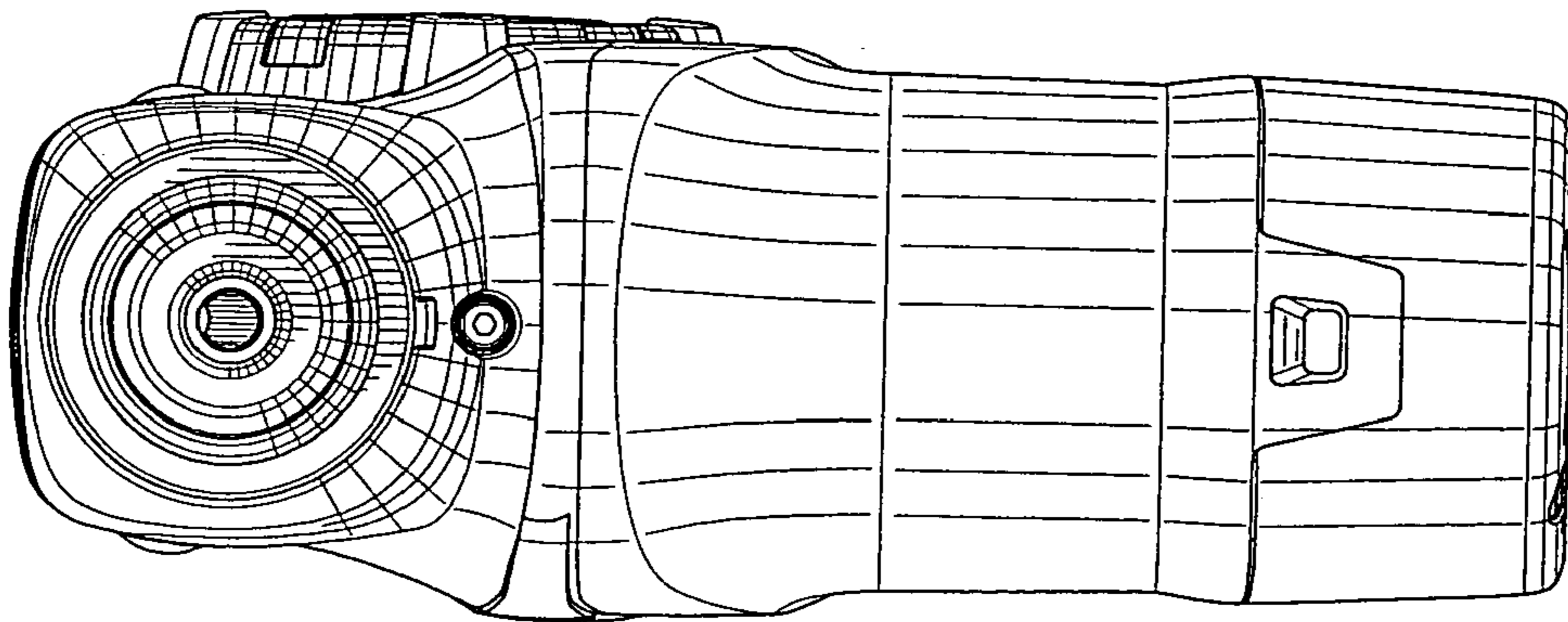


FIG. 4

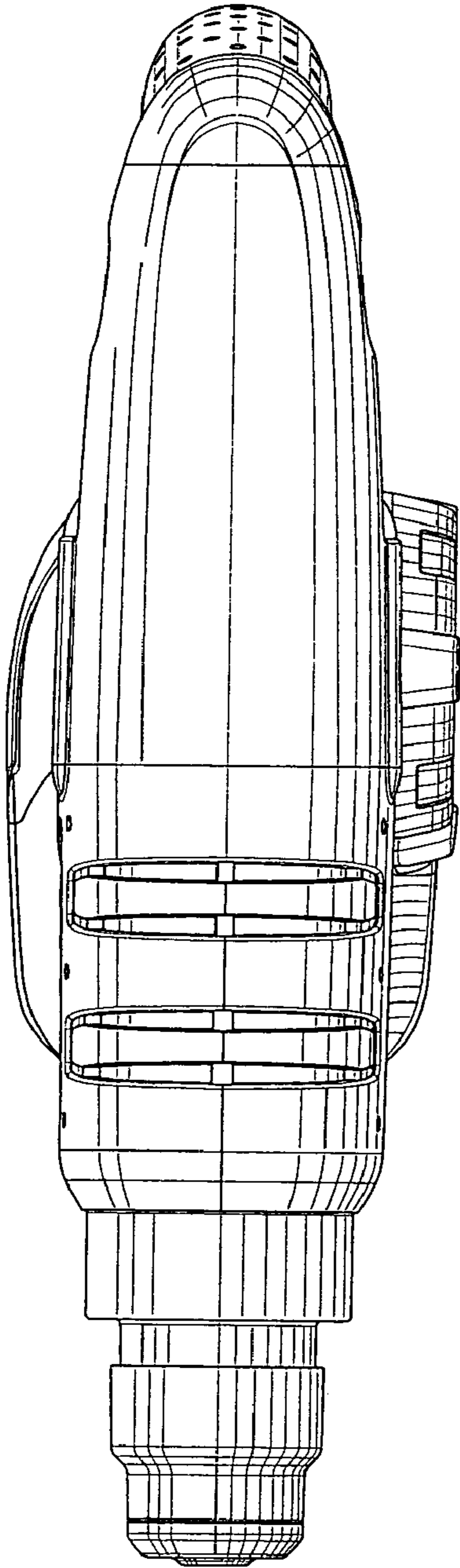


FIG. 6

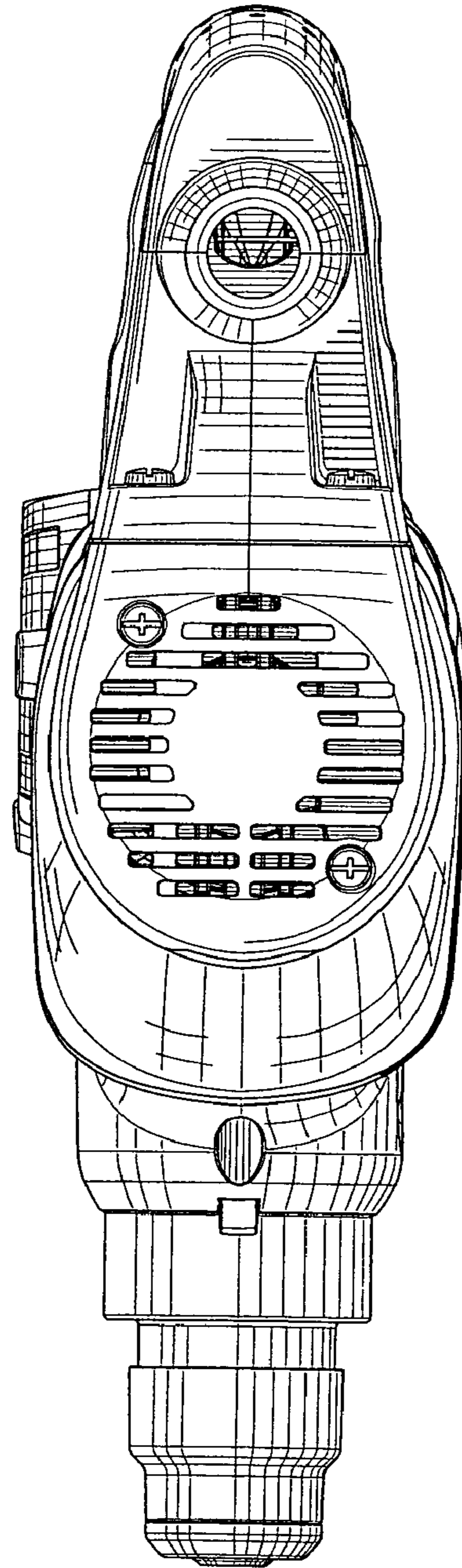


FIG. 7