



US00D555450S

(12) **United States Design Patent** (10) **Patent No.:** **US D555,450 S**  
**Van Wambeke** (45) **Date of Patent:** **\*\* Nov. 20, 2007**

(54) **CORDLESS SAW**

(75) Inventor: **Weston J. Van Wambeke**, Towson, MD (US)

(73) Assignee: **Black & Decker Inc.**, Newark, DE (US)

(\*\*) Term: **14 Years**

(21) Appl. No.: **29/272,274**

(22) Filed: **Feb. 5, 2007**

(51) **LOC (8) Cl.** ..... **08-03**

(52) **U.S. Cl.** ..... **D8/66**

(58) **Field of Classification Search** ..... D8/69, D8/68, 67, 66, 64, 61, 70; 83/698.41, 747; 30/166.3, 374, 373, 375, 376, 391, 377, 390, 30/388, 389; 125/13.01; 144/218  
See application file for complete search history.

(56) **References Cited**

U.S. PATENT DOCUMENTS

|                |         |                   |        |
|----------------|---------|-------------------|--------|
| D329,363 S     | 9/1992  | Saaki et al.      |        |
| D363,656 S     | 10/1995 | Gierke            |        |
| 5,461,790 A    | 10/1995 | Olstowski         |        |
| D411,425 S     | 6/1999  | Sugimoto et al.   |        |
| D427,872 S *   | 7/2000  | Snider .....      | D8/66  |
| D427,873 S *   | 7/2000  | Inoue .....       | D8/66  |
| D427,874 S     | 7/2000  | Hayakawa et al.   |        |
| D428,318 S     | 7/2000  | Gallagher         |        |
| D428,319 S     | 7/2000  | Gallagher         |        |
| D449,503 S     | 10/2001 | Tsuzuki           |        |
| D466,385 S     | 12/2002 | Shigo et al.      |        |
| D470,376 S     | 2/2003  | Chunn et al.      |        |
| 6,543,143 B2 * | 4/2003  | Moore et al. .... | 30/391 |
| D486,369 S     | 2/2004  | Keller            |        |
| D492,564 S     | 7/2004  | Zemlok et al.     |        |
| D499,001 S     | 11/2004 | Wu                |        |
| D500,438 S     | 1/2005  | Andriolo          |        |
| D502,073 S     | 2/2005  | Andriolo          |        |
| D502,074 S     | 2/2005  | Sham et al.       |        |

|                 |         |                    |        |
|-----------------|---------|--------------------|--------|
| D503,878 S      | 4/2005  | Tillman et al.     |        |
| 6,889,439 B2 *  | 5/2005  | Koukal et al. .... | 30/377 |
| D507,949 S      | 8/2005  | Chunn et al.       |        |
| D514,411 S      | 2/2006  | Yuen et al.        |        |
| D520,830 S *    | 5/2006  | Suzuki et al. .... | D8/66  |
| D521,336 S *    | 5/2006  | Heun .....         | D8/66  |
| D527,599 S *    | 9/2006  | Ng .....           | D8/66  |
| D531,473 S *    | 11/2006 | Lopano .....       | D8/66  |
| 2003/0047050 A1 | 3/2003  | Onose et al.       |        |
| 2004/0049927 A1 | 3/2004  | Wu                 |        |
| 2005/0160608 A1 | 7/2005  | Tanimoto et al.    |        |
| 2005/0262706 A1 | 12/2005 | Yoshida et al.     |        |

\* cited by examiner

*Primary Examiner*—Cathron C. Brooks

*Assistant Examiner*—Austin Murphy

(74) *Attorney, Agent, or Firm*—Wesley W. Muller; Bruce Shapiro

(57) **CLAIM**

The ornamental design for a cordless saw, as shown and described.

**DESCRIPTION**

FIG. 1 is a perspective view of a circular saw according to the present invention;

FIG. 2 is a side perspective view of the circular saw of FIG. 1;

FIG. 3 is a left side view of the circular saw of FIG. 2;

FIG. 4 is a right side view of the circular saw of FIG. 2;

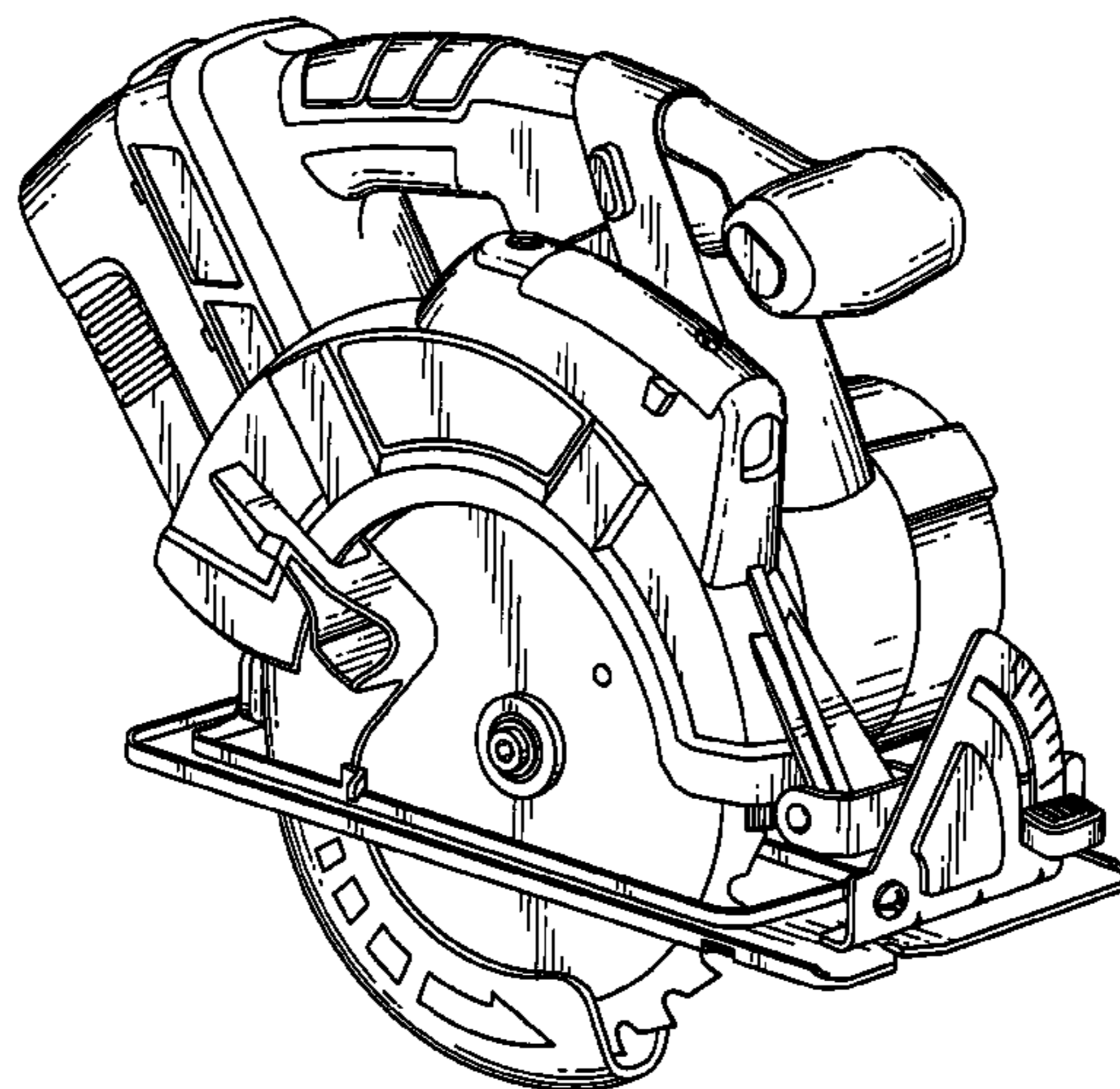
FIG. 5 is a top view of the circular saw of FIG. 2;

FIG. 6 is a bottom view of the circular saw of FIG. 2;

FIG. 7 is an elevated front view of the circular saw of FIG. 2; and,

FIG. 8 is an elevated rear view of the circular saw of FIG. 2.

**1 Claim, 8 Drawing Sheets**



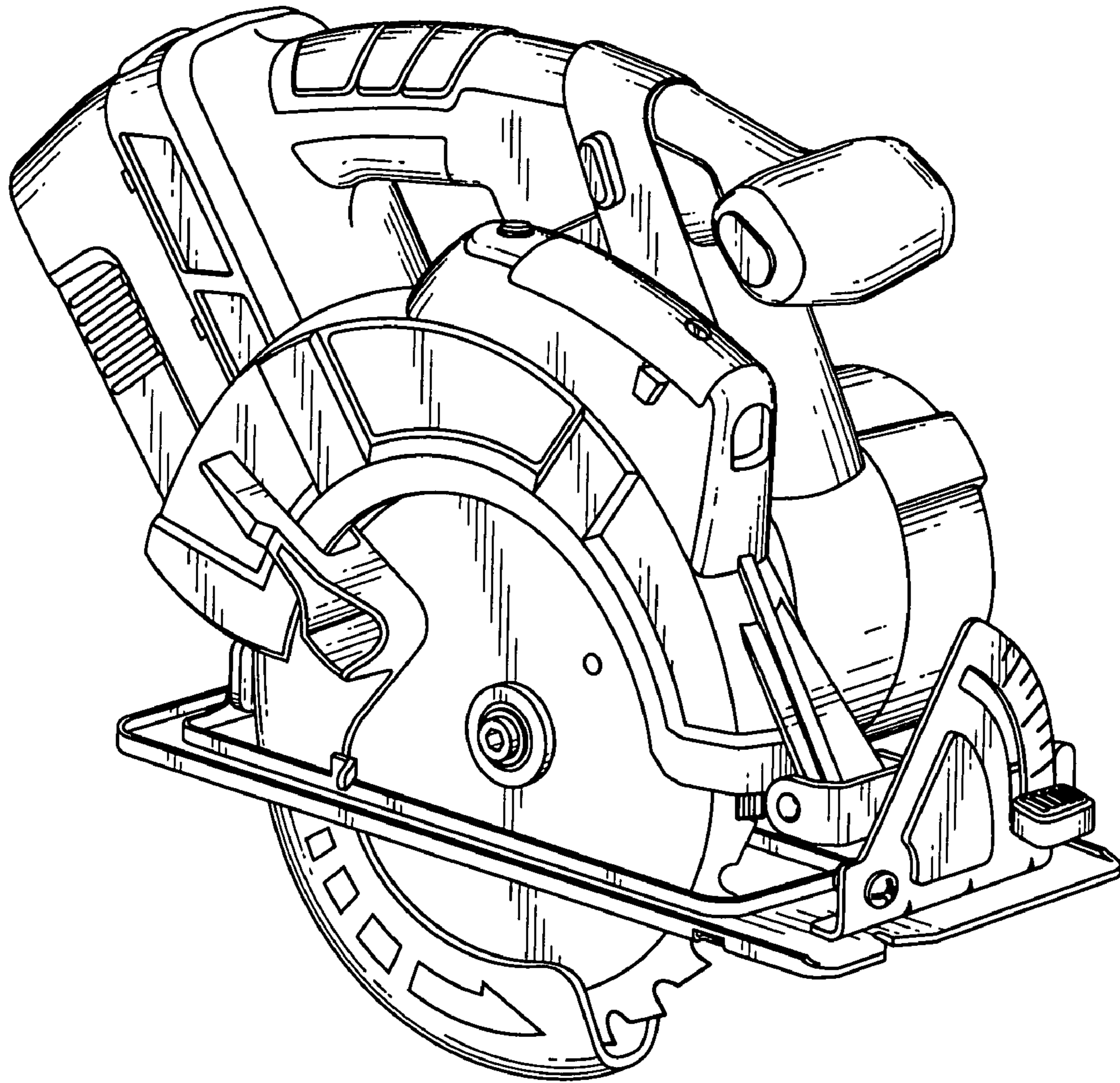


Fig. 1

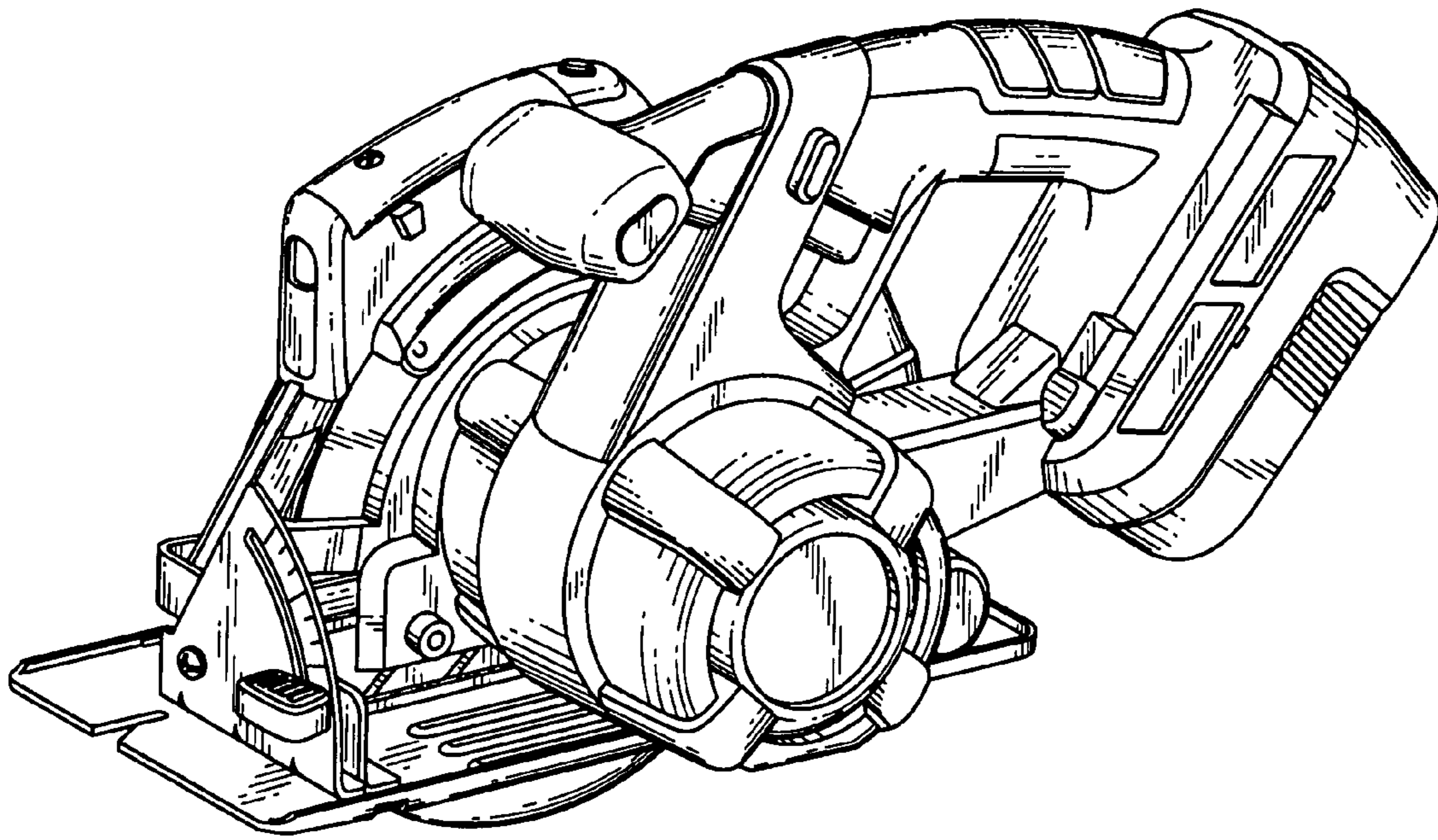


Fig. 2

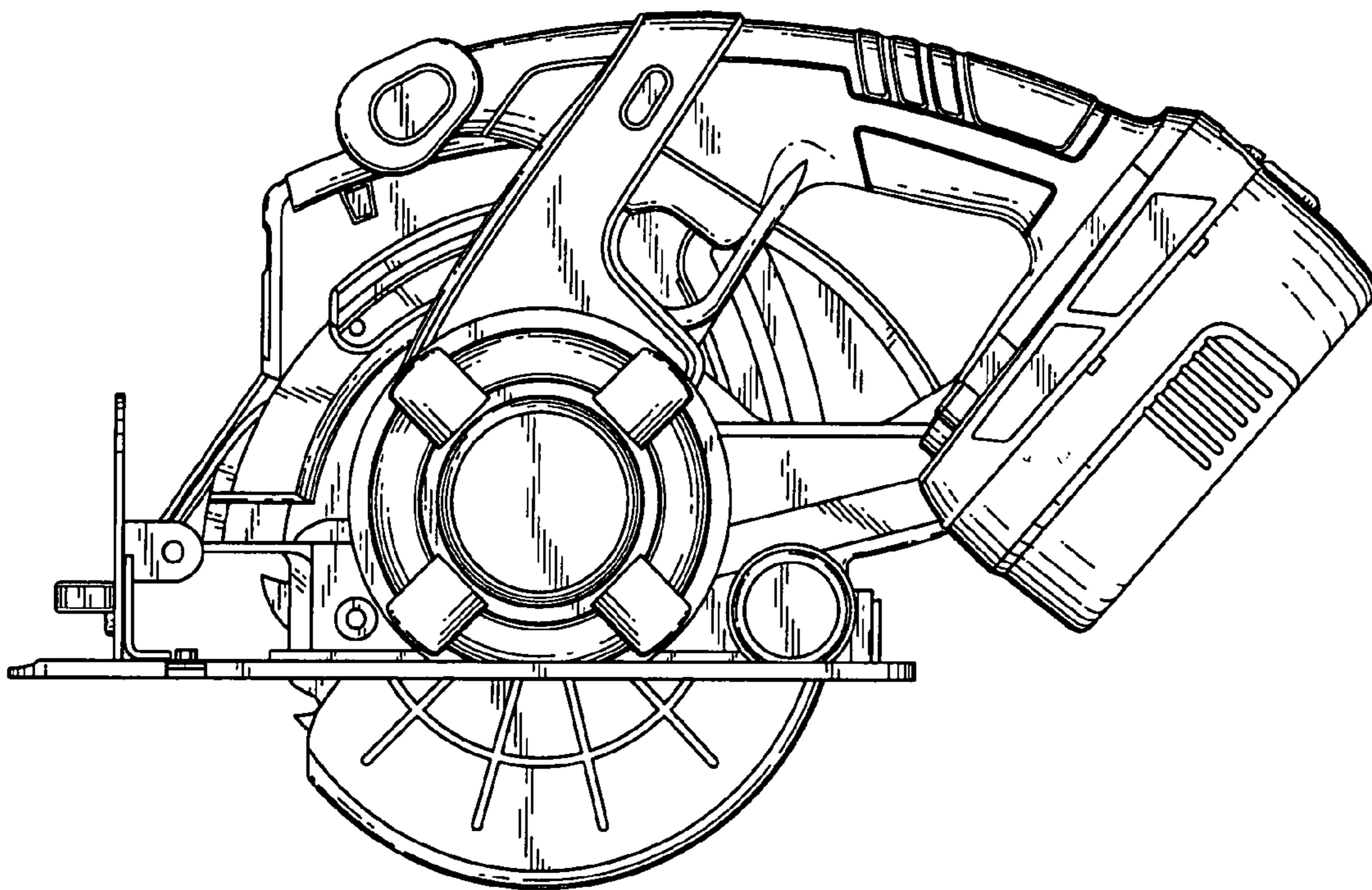


Fig. 3

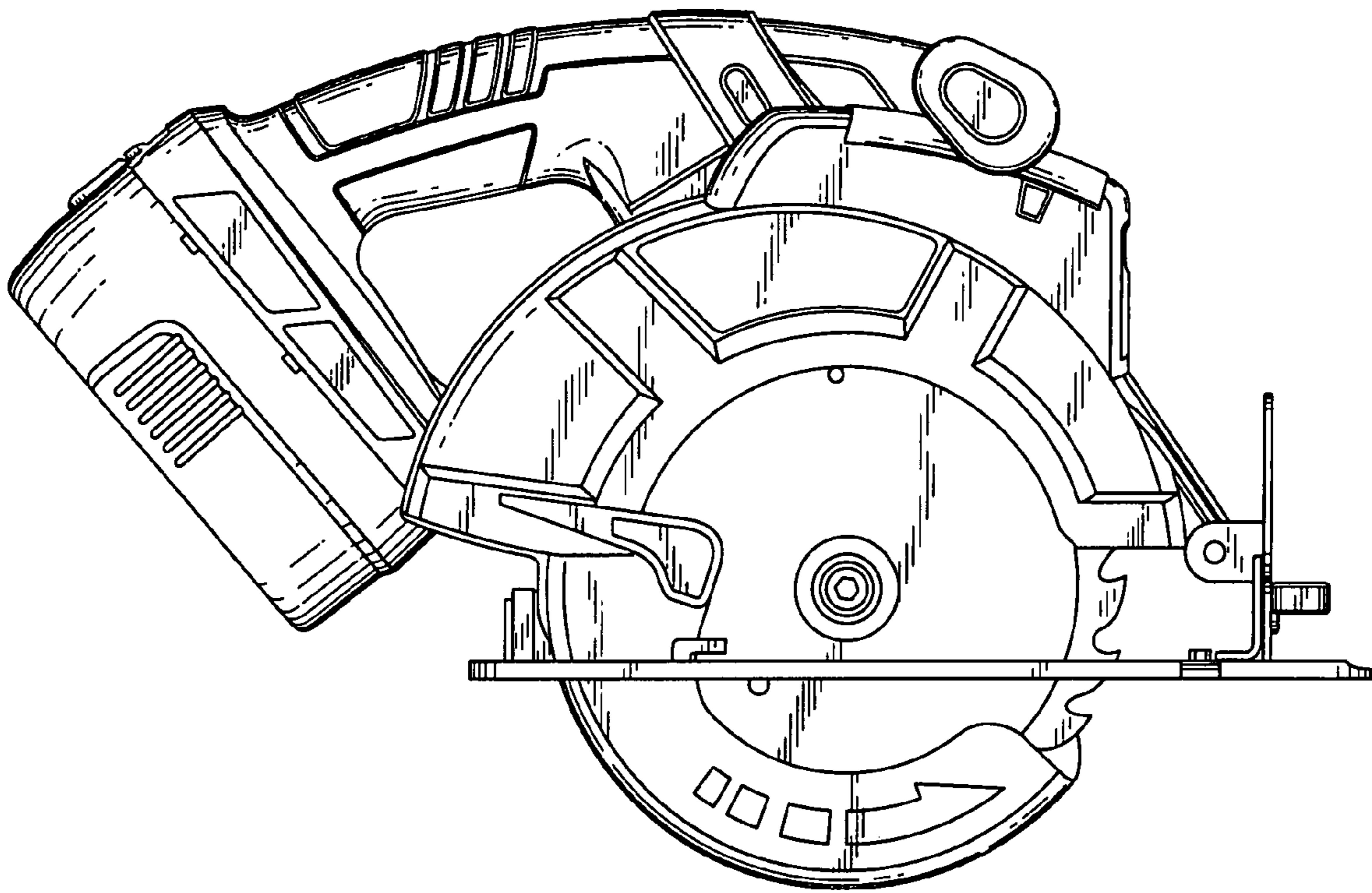


Fig. 4

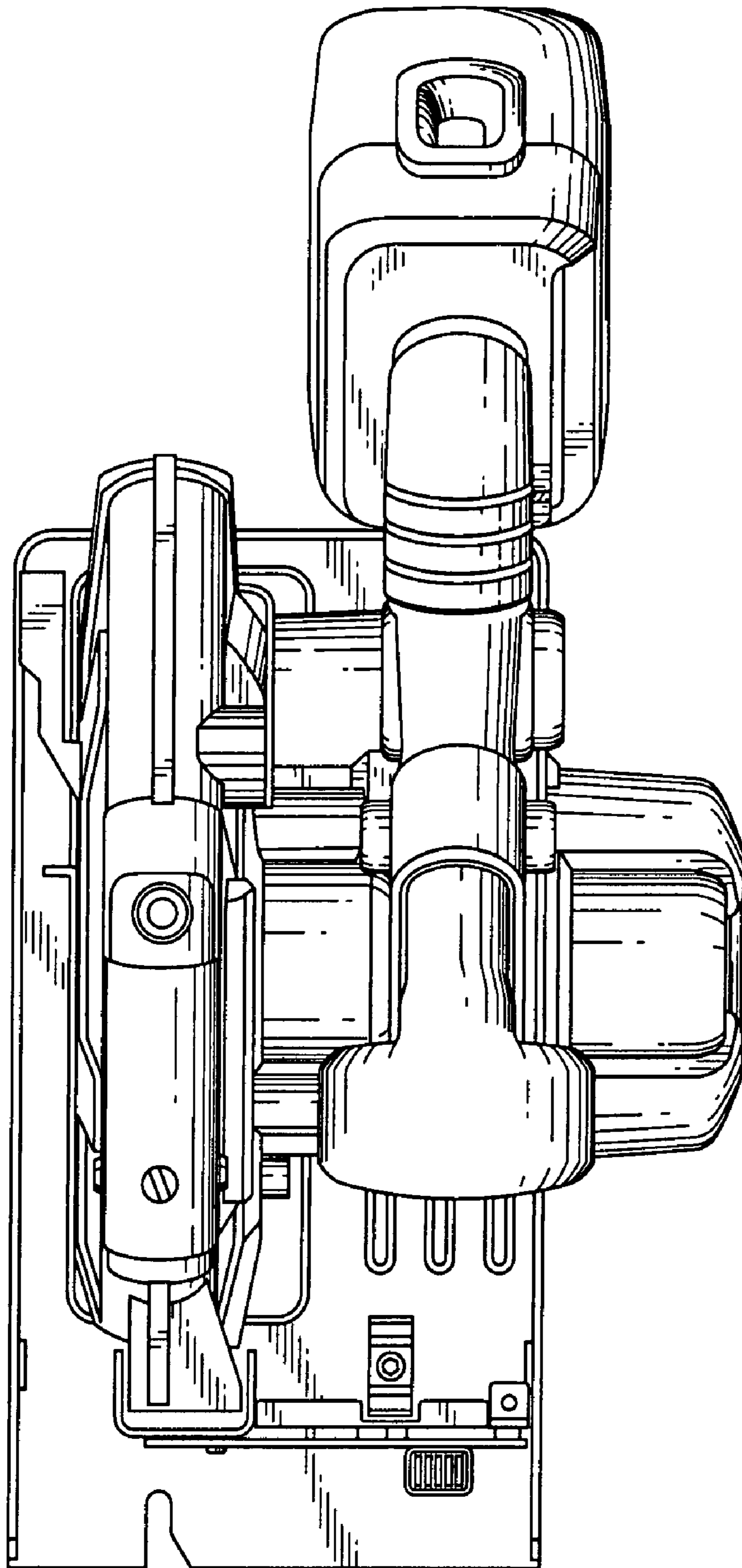


Fig. 5

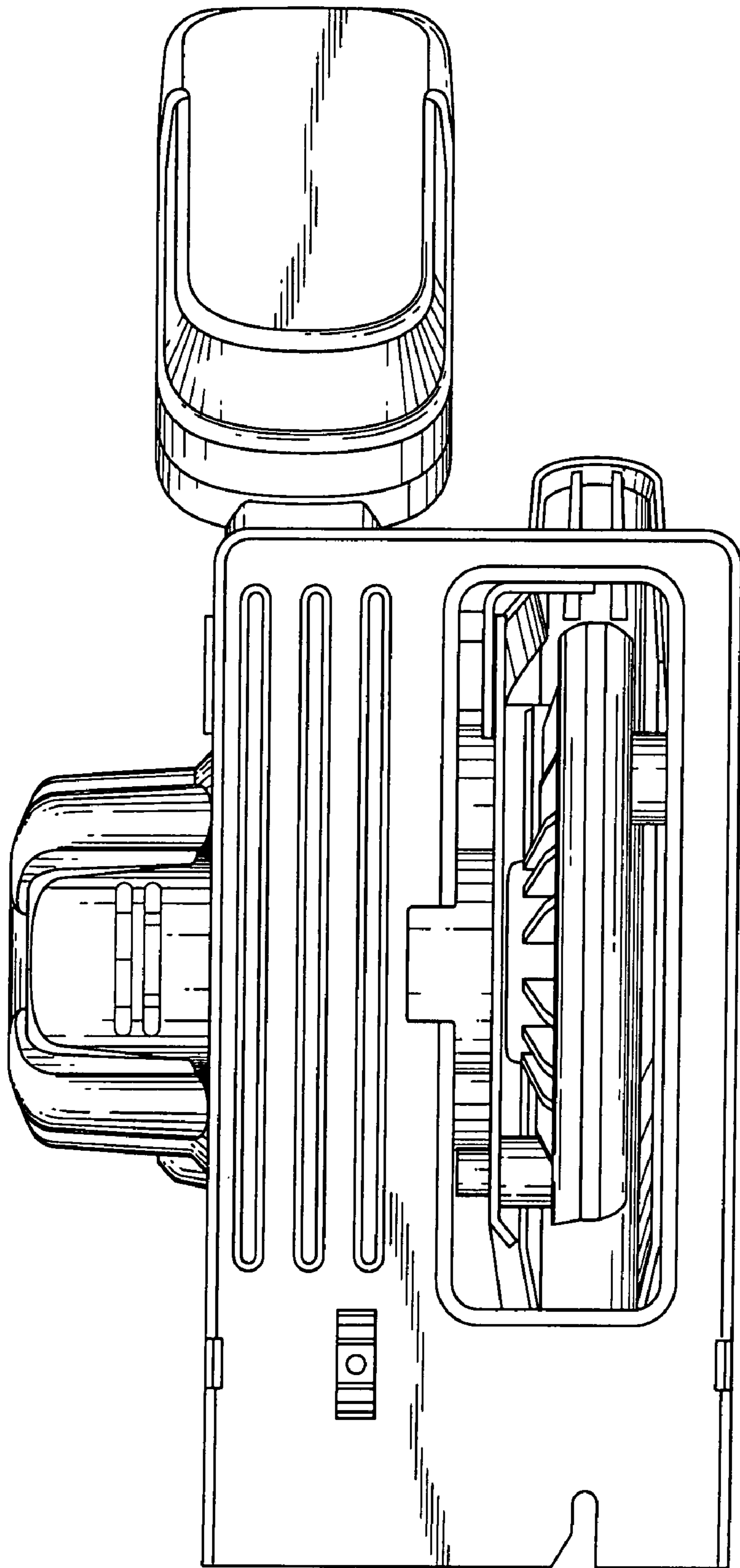


Fig. 6

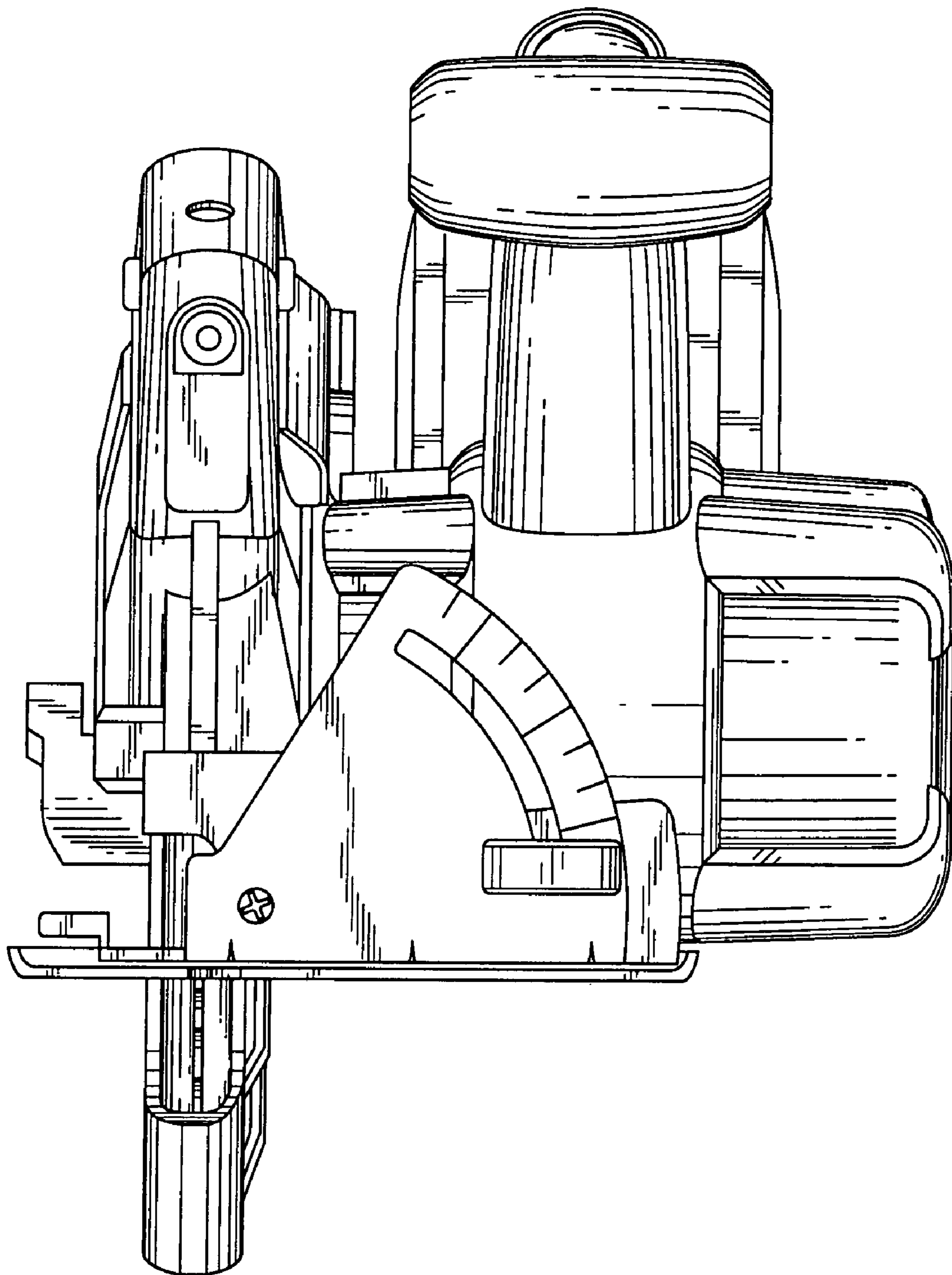


Fig. 7



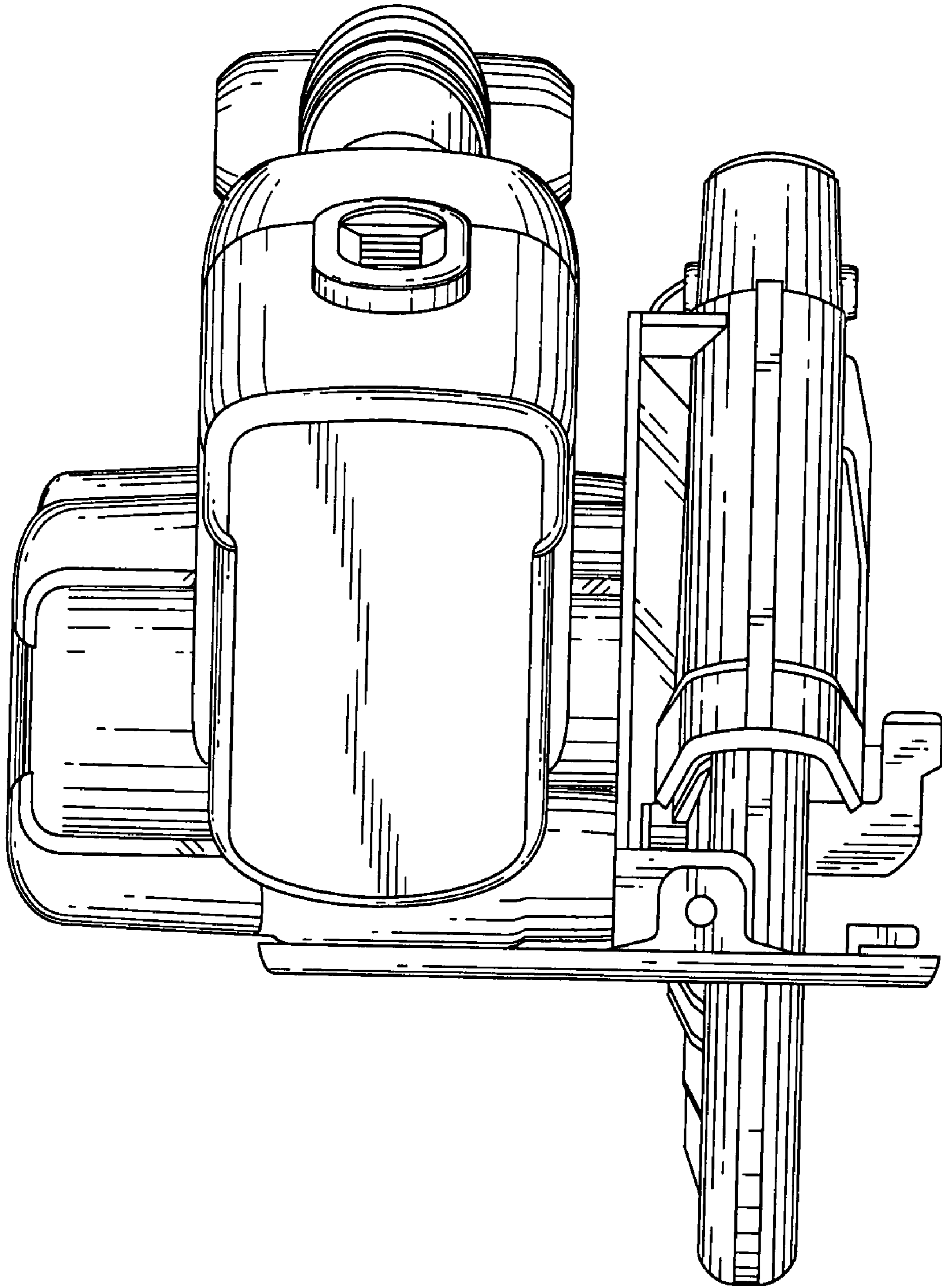


Fig. 8