



US00D555449S

(12) **United States Design Patent**  
**Waldron**

(10) **Patent No.:** **US D555,449 S**

(45) **Date of Patent:** **\*\* Nov. 20, 2007**

(54) **SANDER TOOL**

(75) **Inventor:** **Michael Waldron, Pocklington (GB)**

(73) **Assignee:** **GMCA Pty Limited (AU)**

(\*\*) **Term:** **14 Years**

(21) **Appl. No.:** **29/250,605**

(22) **Filed:** **Nov. 22, 2006**

(30) **Foreign Application Priority Data**

May 26, 2006 (EM) ..... 000537626-0001

(51) **LOC (8) Cl.** ..... **08-01**

(52) **U.S. Cl.** ..... **D8/62**

(58) **Field of Classification Search** ..... D8/67,  
D8/62, 61; D32/15, 17, 19; D4/102; 451/456,  
451/451, 359, 358, 357, 356, 355, 354, 353,  
451/351, 344

See application file for complete search history.

(56) **References Cited**

**U.S. PATENT DOCUMENTS**

D286,736 S *	11/1986	Somers	.....	D8/62
D310,007 S *	8/1990	Saito et al.	.....	D8/62
D317,244 S *	6/1991	Bunyea	.....	D8/62
D323,963 S *	2/1992	Bunyea	.....	D8/62
D352,437 S *	11/1994	Chunn et al.	.....	D8/62
D376,304 S *	12/1996	Clowers et al.	.....	D8/62
D408,245 S *	4/1999	Evans et al.	.....	D8/62

D448,262 S *	9/2001	Heun	.....	D8/62
D476,543 S *	7/2003	Wu	.....	D8/62
D478,488 S *	8/2003	Bruno et al.	.....	D8/62
D498,399 S *	11/2004	Wu	.....	D8/62
D507,731 S *	7/2005	Robson	.....	D8/62
D509,722 S *	9/2005	Wikle et al.	.....	D8/62
D527,235 S *	8/2006	Aglassinger	.....	D8/62
D538,122 S *	3/2007	Etter et al.	.....	D8/62
2004/0002296 A1 *	1/2004	Reich et al.	.....	451/357

\* cited by examiner

*Primary Examiner*—Cathron C. Brooks

*Assistant Examiner*—Austin Murphy

(74) *Attorney, Agent, or Firm*—McKee, Voorhees & Sease, P.L.C.

(57) **CLAIM**

I claim the ornamental design for a sander tool, as shown.

**DESCRIPTION**

FIG. 1 is a side view of the sander tool.

FIG. 2 is a front view of the sander tool.

FIG. 3 is a rear view of the sander tool.

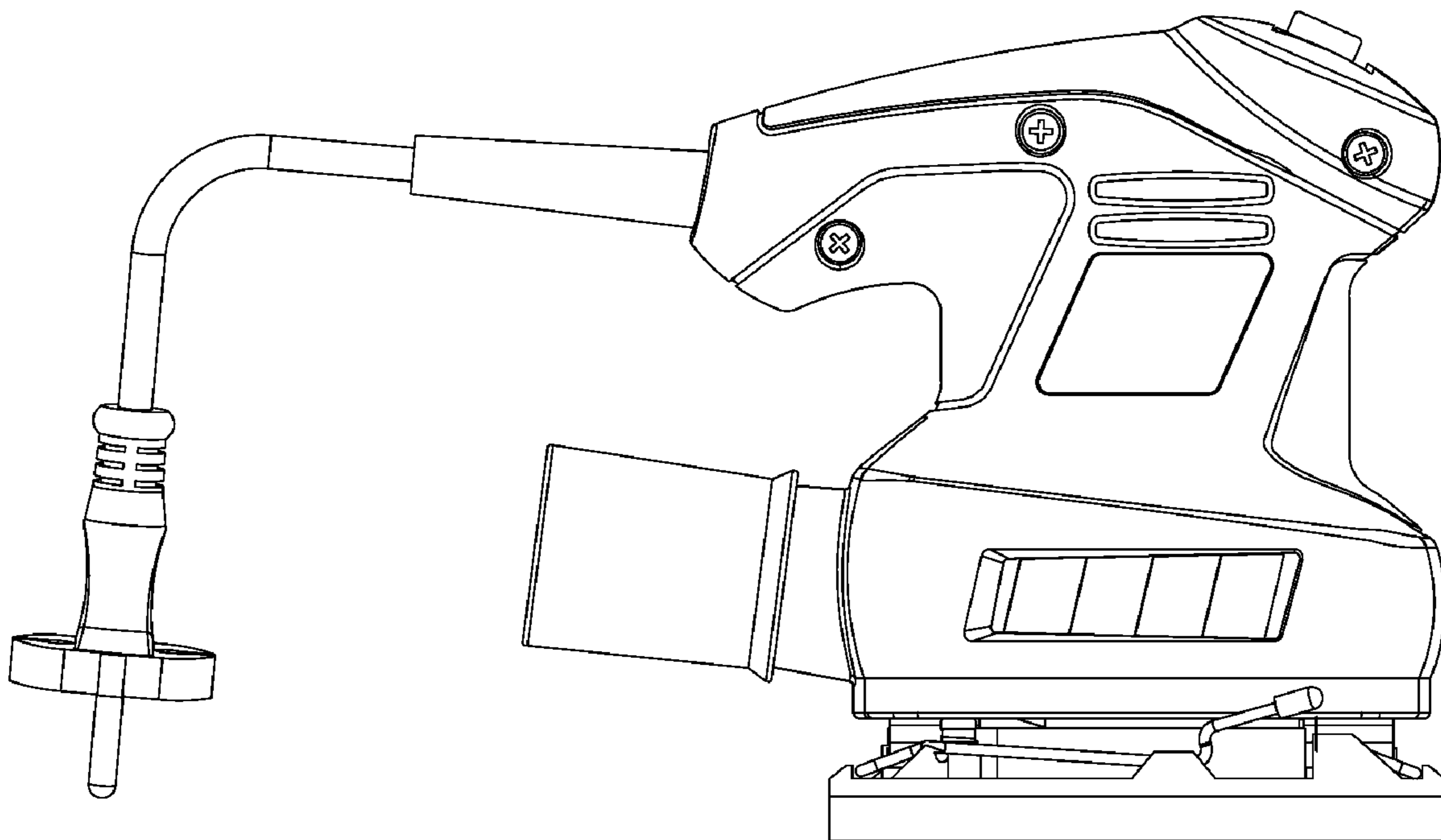
FIG. 4 is a top view of the sander tool.

FIG. 5 is a bottom view of the sander tool.

FIG. 6 is a rear perspective view of the sander tool; and,

FIG. 7 is a front perspective view of the sander tool.

**1 Claim, 7 Drawing Sheets**



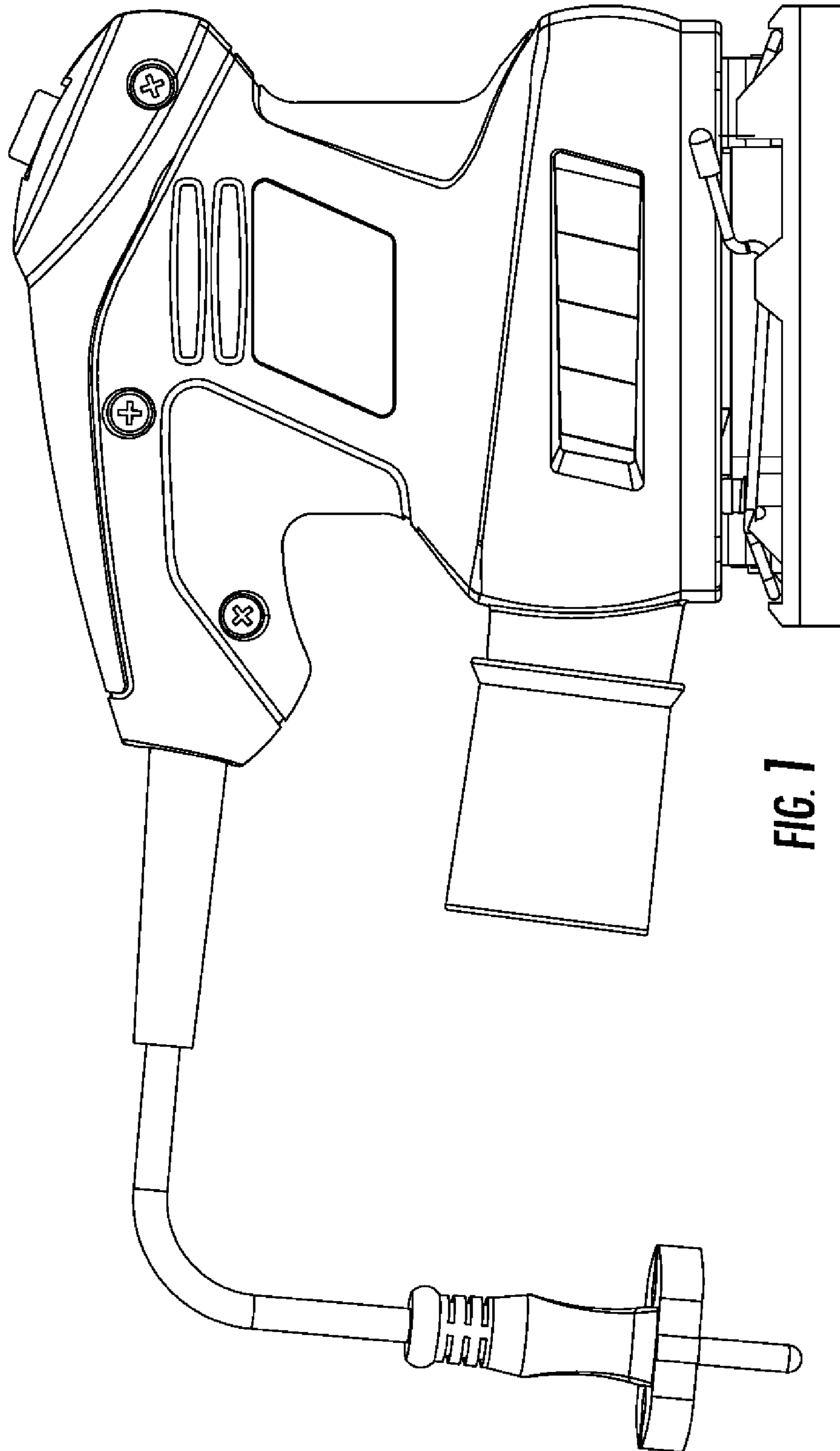
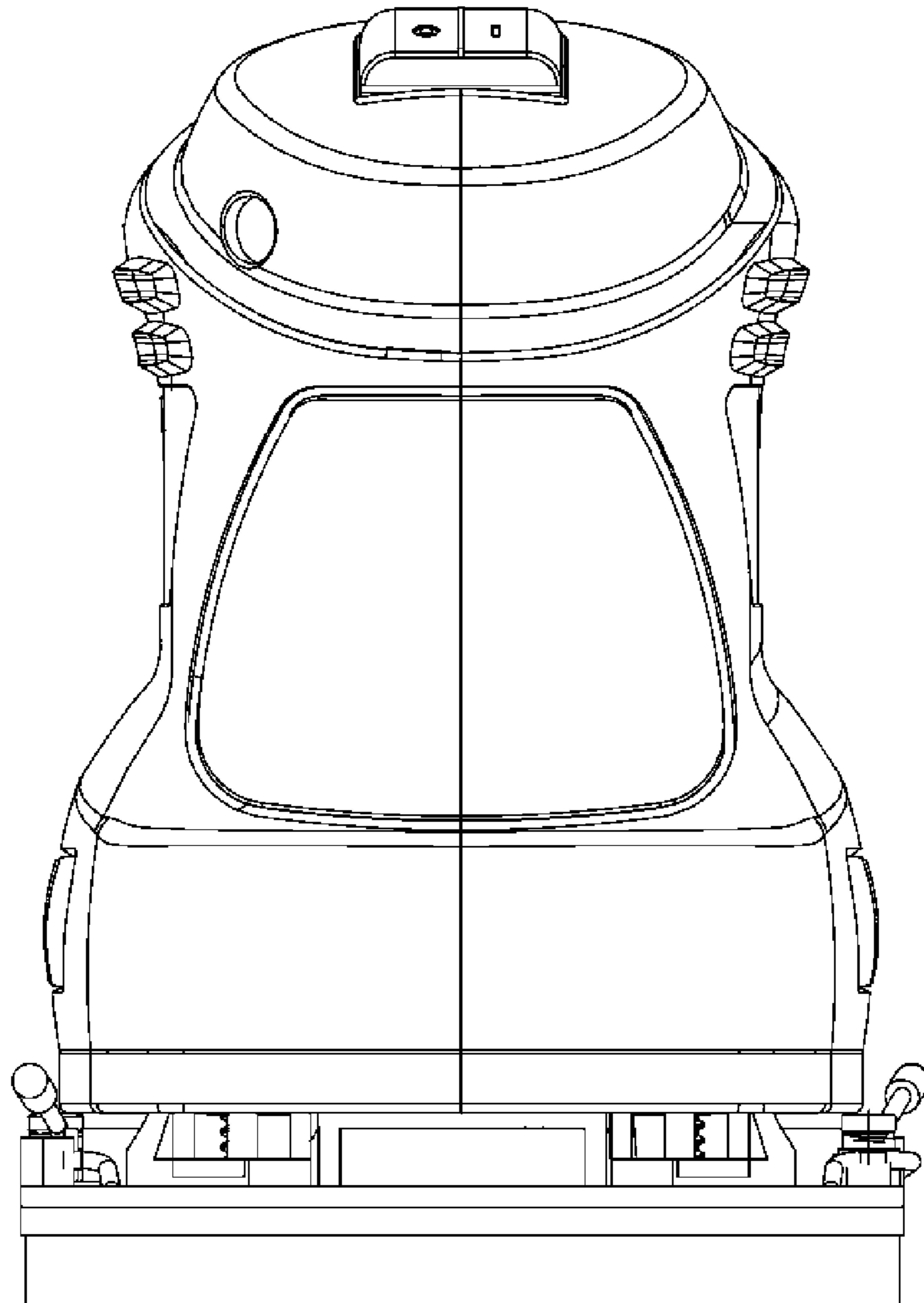
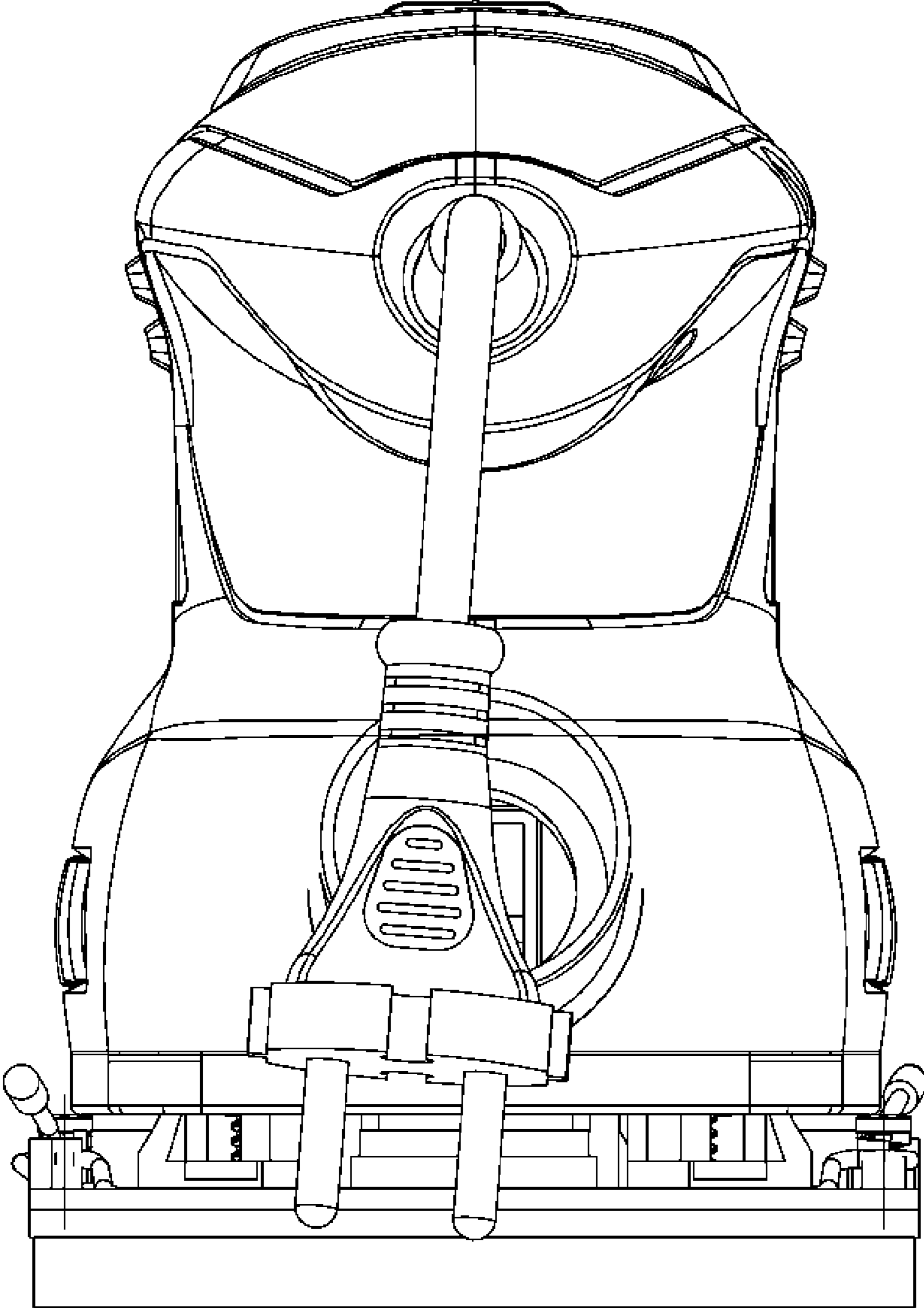


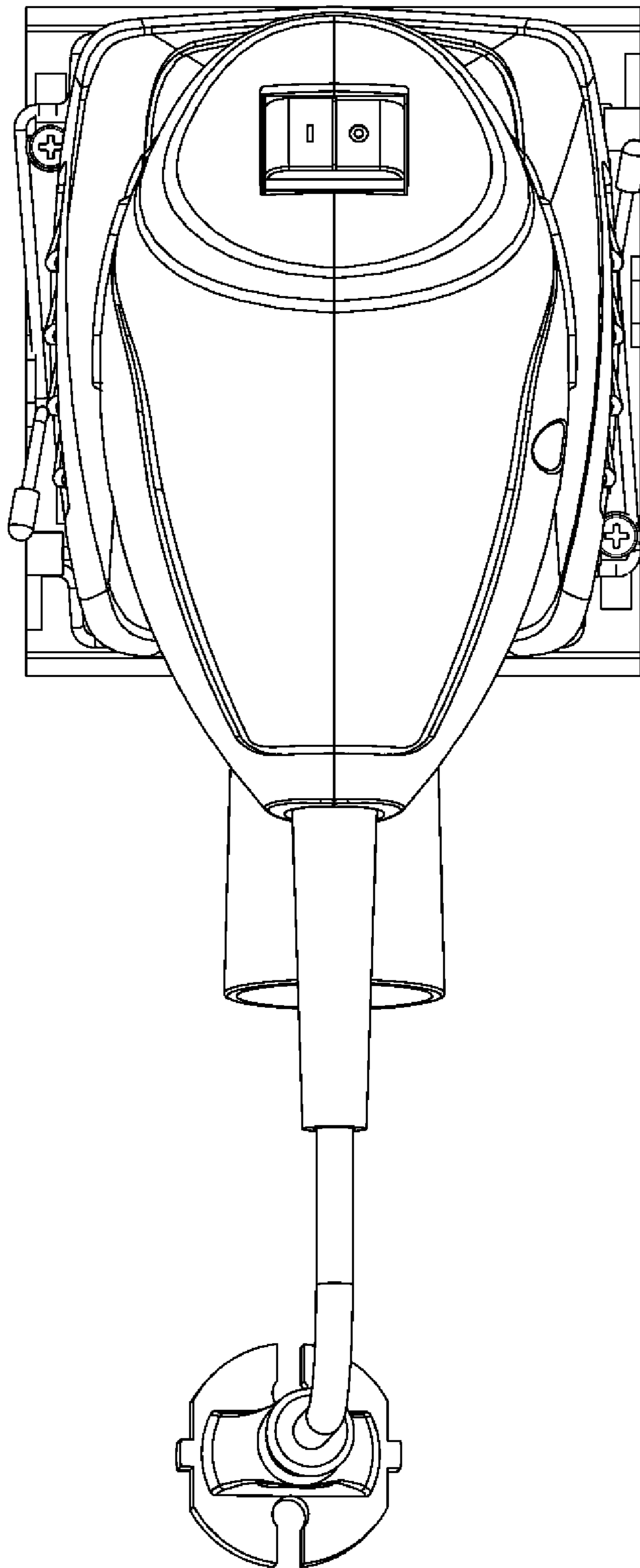
FIG. 1



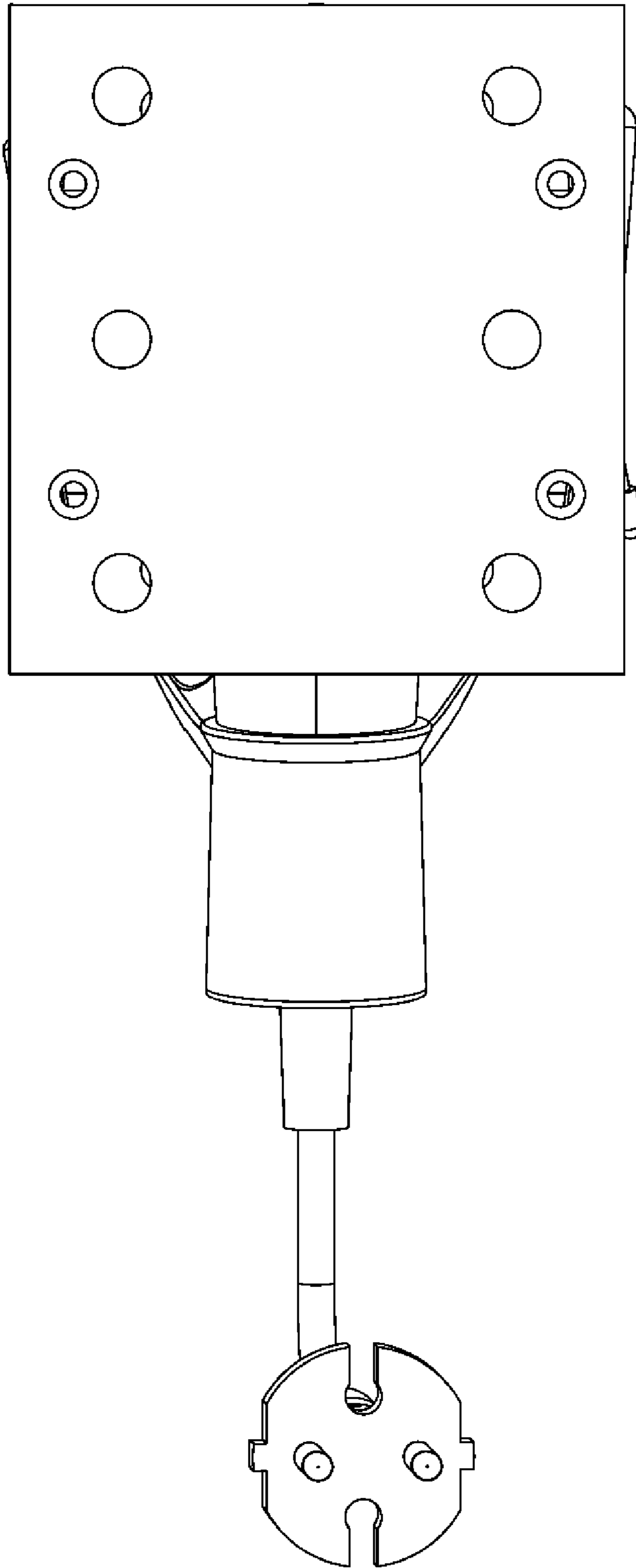
**FIG. 2**



**FIG. 3**

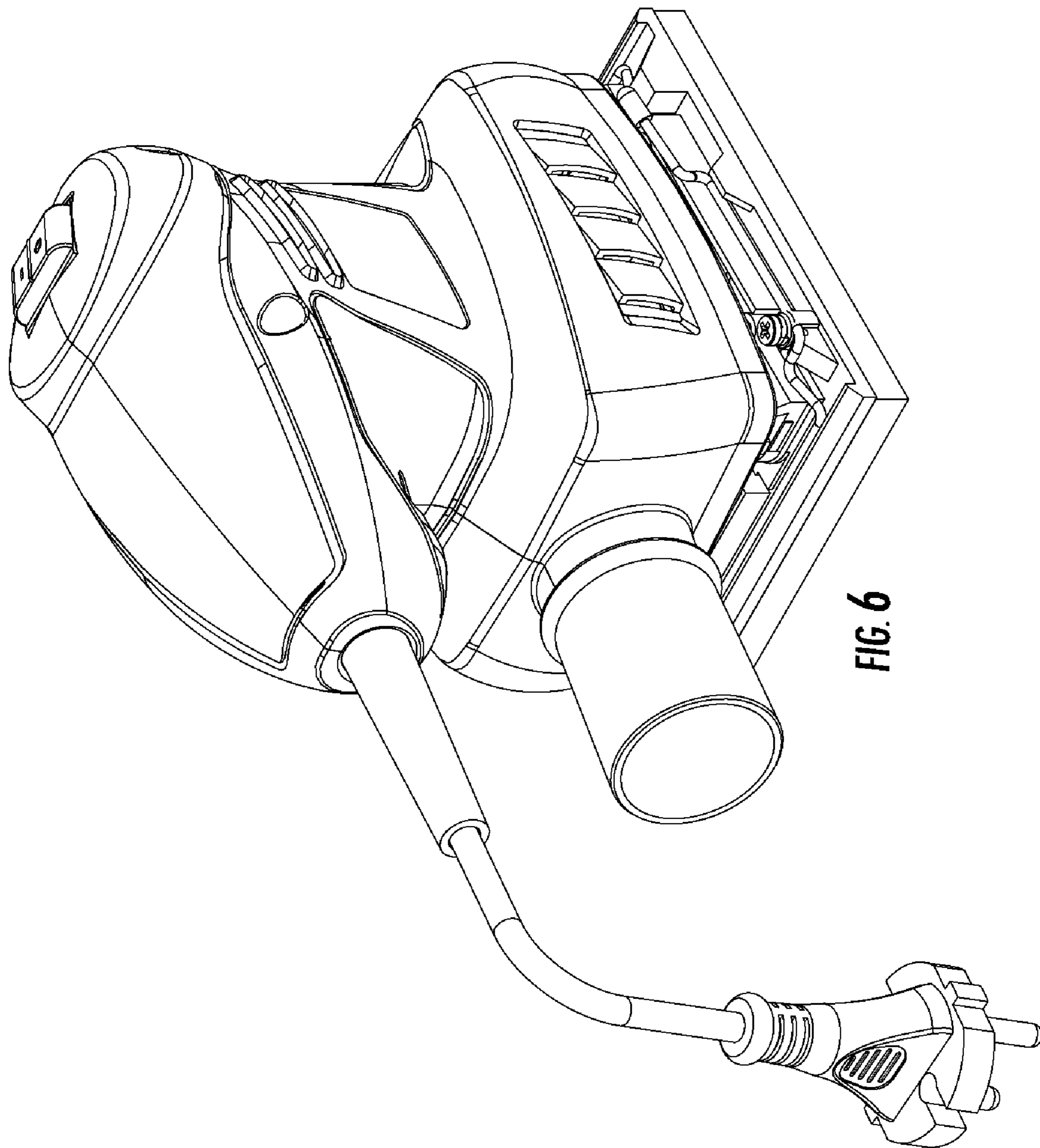


**FIG. 4**



**FIG. 5**





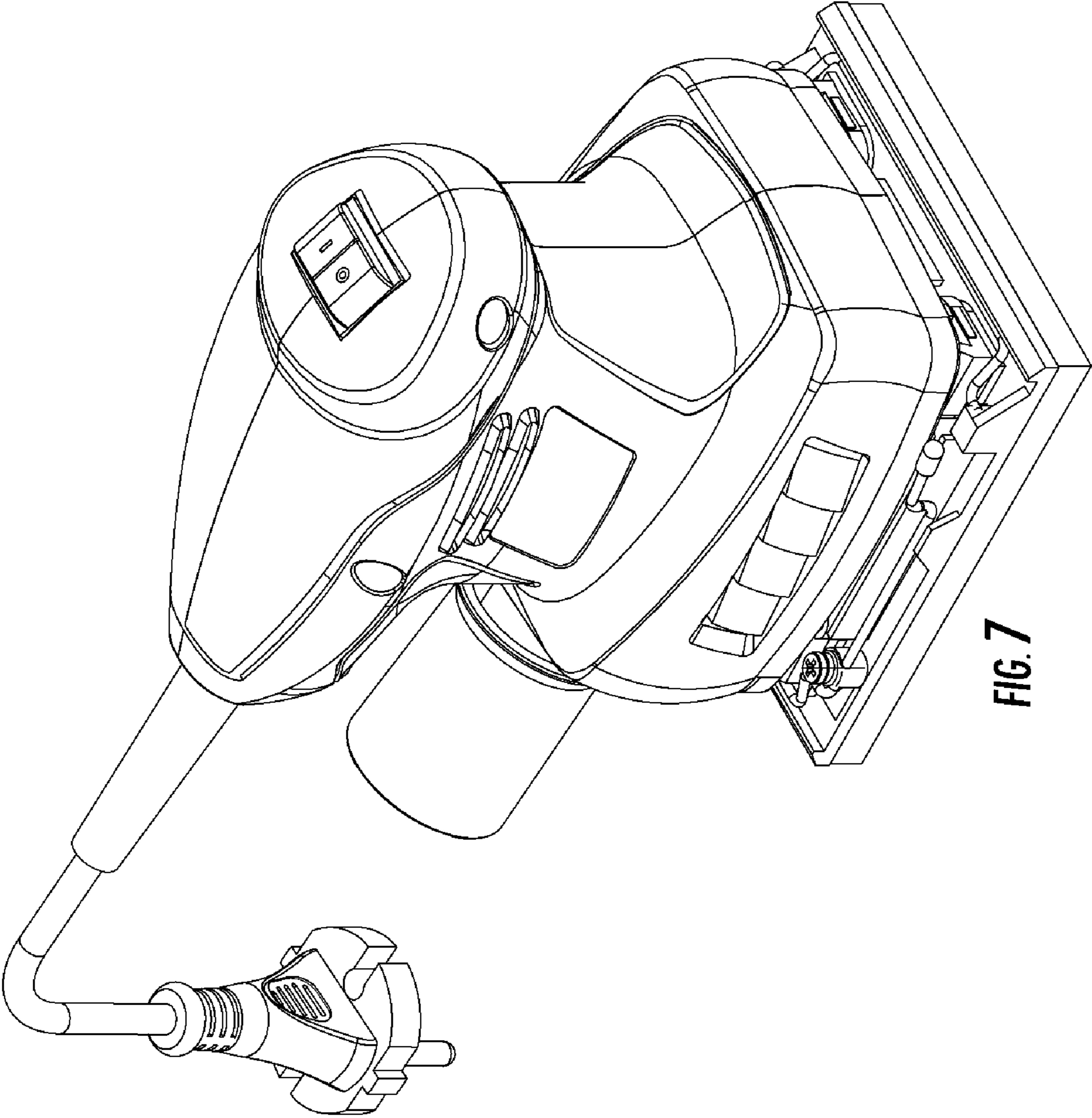


FIG. 7