



US00D555447S

(12) **United States Design Patent**
Bhavnani

(10) **Patent No.:** **US D555,447 S**

(45) **Date of Patent:** **** Nov. 20, 2007**

(54) **LIGHTED, RETRACTABLE BOTTLE OPENER**

(75) Inventor: **Dilip Bhavnani**, Beverly Hills, CA (US)

(73) Assignee: **Sun Coast Merchandise Corporation**, Commerce, CA (US)

(**) Term: **14 Years**

(21) Appl. No.: **29/250,375**

(22) Filed: **Nov. 10, 2006**

(51) **LOC (8) Cl.** **07-99**

(52) **U.S. Cl.** **D8/34**

(58) **Field of Classification Search** D3/207, D3/208, 210; D8/16-19, 33-43, 88, 105; 7/113, 151-156; 81/3.07, 3.09, 3.27, 3.4, 81/3.55

See application file for complete search history.

(56) **References Cited**

U.S. PATENT DOCUMENTS

D42,368 S *	3/1912	Mossberg	D8/18
1,899,203 A *	2/1933	Labreche	7/151
D109,695 S *	5/1938	Calencia	D8/18
D247,686 S *	4/1978	Desjardins	D8/18
D373,626 S *	9/1996	Dente et al.	D3/208
D398,774 S	9/1998	Yu		
5,815,873 A *	10/1998	Jones	7/164
D409,464 S *	5/1999	Garza	D8/34
D431,341 S *	9/2000	DiPaolo et al.	D3/208
6,364,237 B1	4/2002	Kagel		
D463,104 S *	9/2002	Ames	D3/207
6,702,328 B2	3/2004	Malleis et al.		

7,007,882 B2	3/2006	Raia et al.		
7,032,419 B2	4/2006	Booker		
2004/0188557 A1	9/2004	Raia et al.		
2005/0247089 A1	11/2005	Booker		
2006/0090302 A1*	5/2006	Colby	24/3.6
2006/0266160 A1*	11/2006	Yeh	81/3.4

* cited by examiner

Primary Examiner—Robert M. Spear

Assistant Examiner—Garth Rademaker

(74) *Attorney, Agent, or Firm*—The Soni Law Firm

(57) **CLAIM**

The ornamental design for a lighted, retractable bottle opener, as shown and described.

DESCRIPTION

FIG. 1 is a front, bottom, right side perspective view of a lighted, retractable bottle opener, showing my new design;

FIG. 2 is a front elevational view thereof;

FIG. 3 is a back elevational view thereof;

FIG. 4 is a top plan view thereof;

FIG. 5 is a left side elevational view thereof, the right side elevational view being a mirror image thereof;

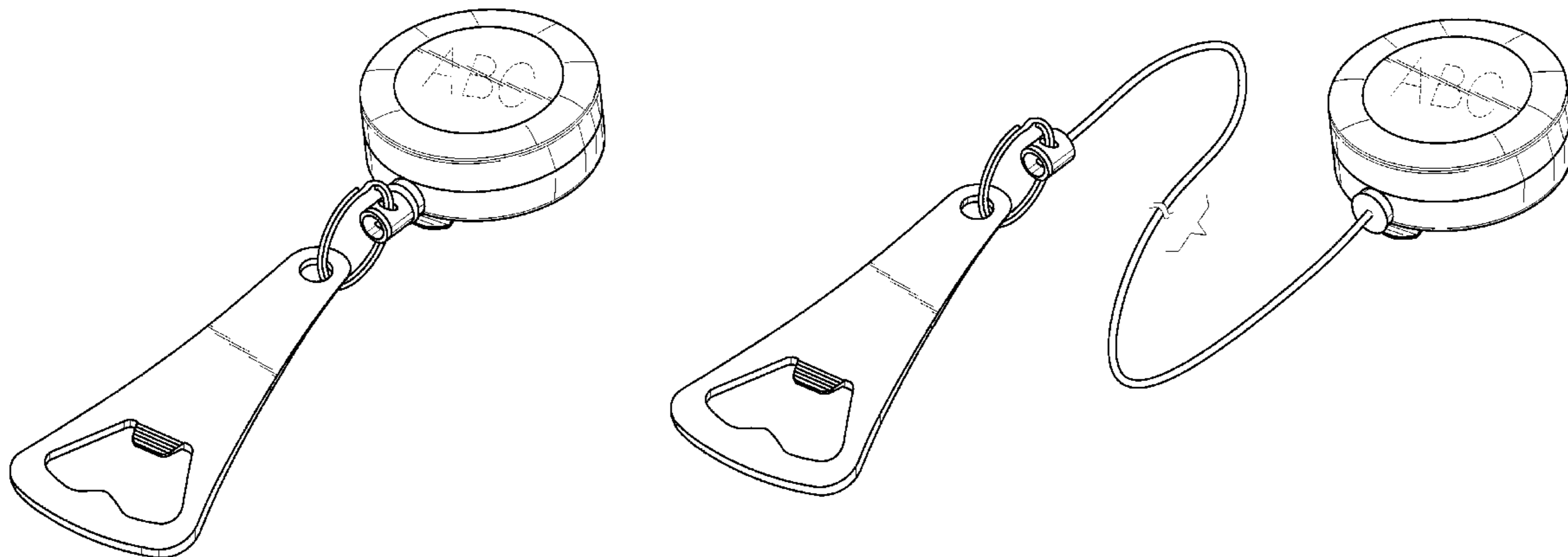
FIG. 6 is a bottom plan view thereof; and,

FIG. 7 is a front, bottom, right side perspective view thereof, shown in an alternate position of use.

In FIG. 7, the lanyard is shown broken away to indicate indeterminate length.

The broken lines depict environmental subject matter only and form no part of the claimed design.

1 Claim, 4 Drawing Sheets



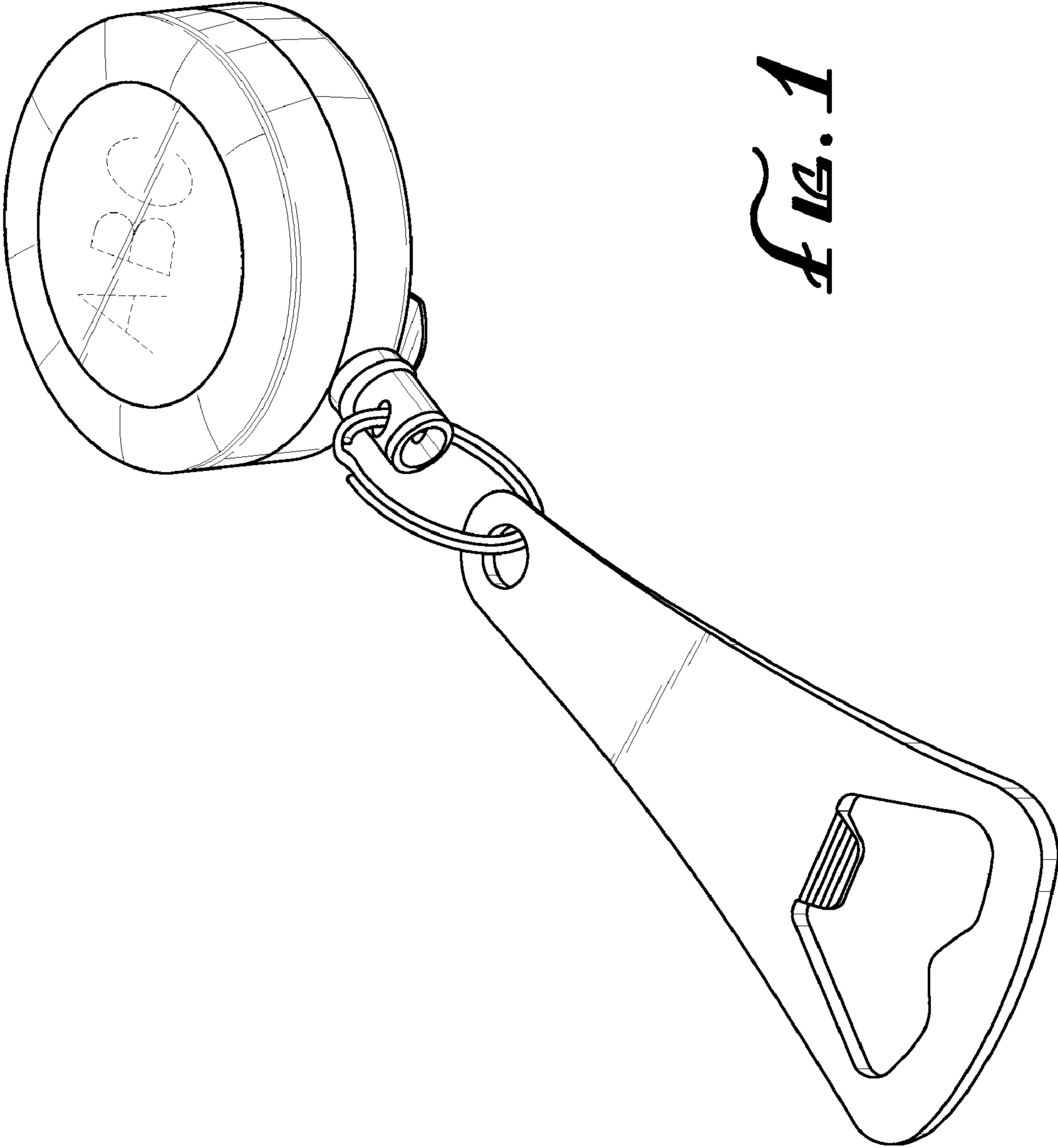


FIG. 1

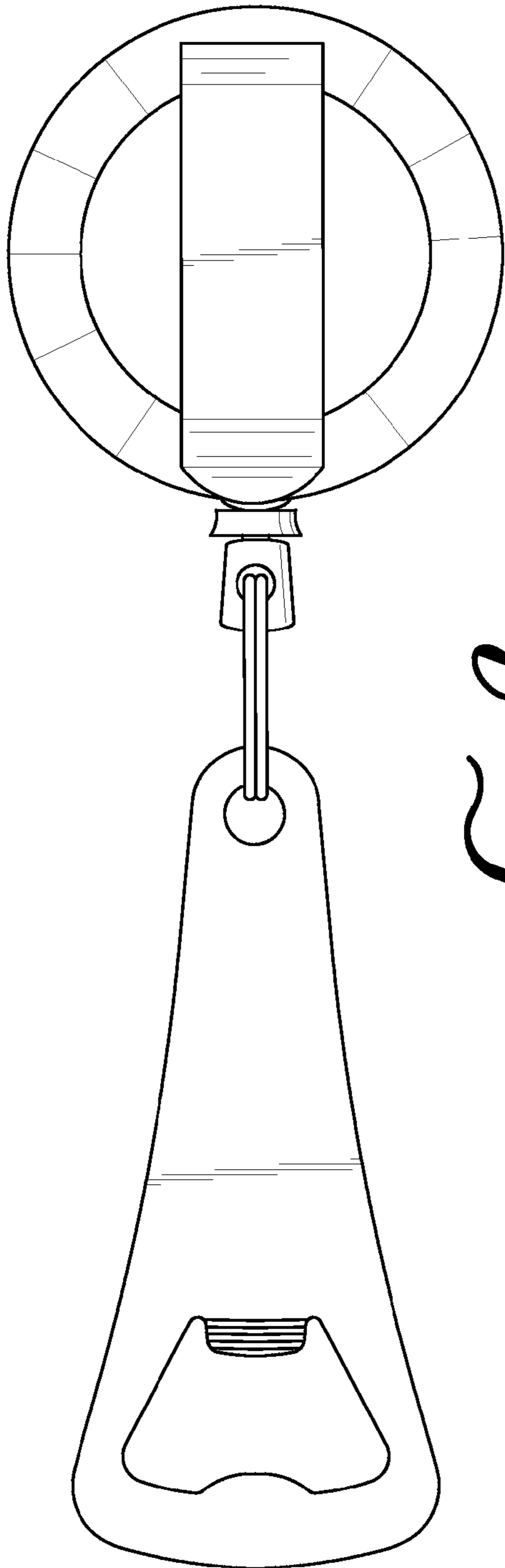


Fig. 3

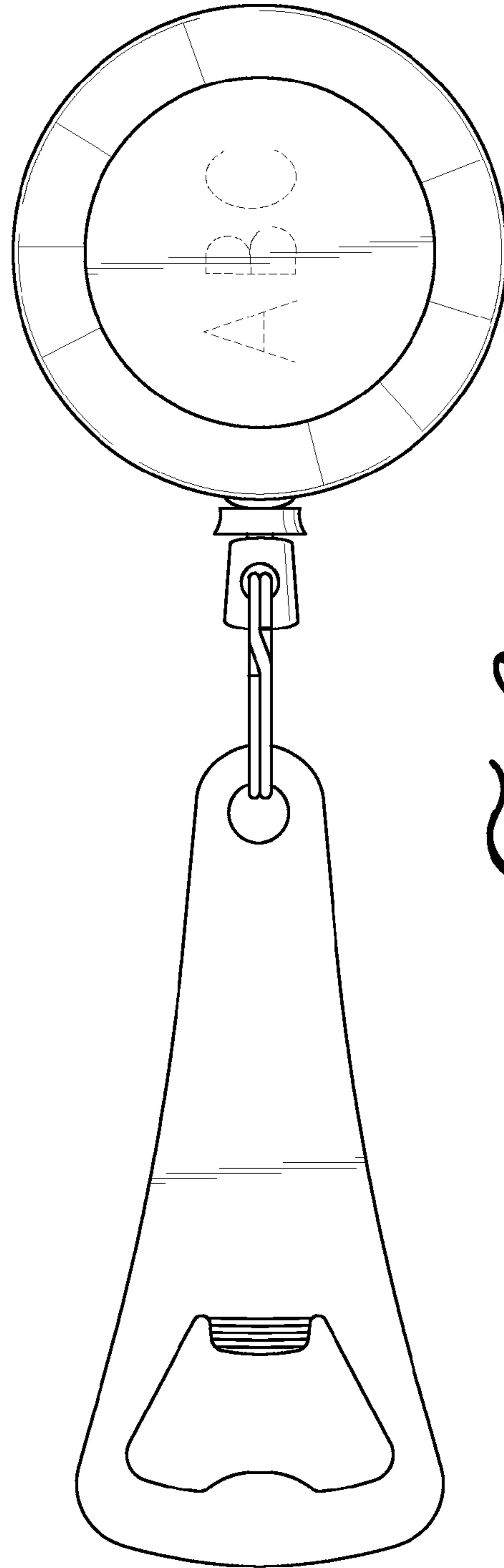


Fig. 2

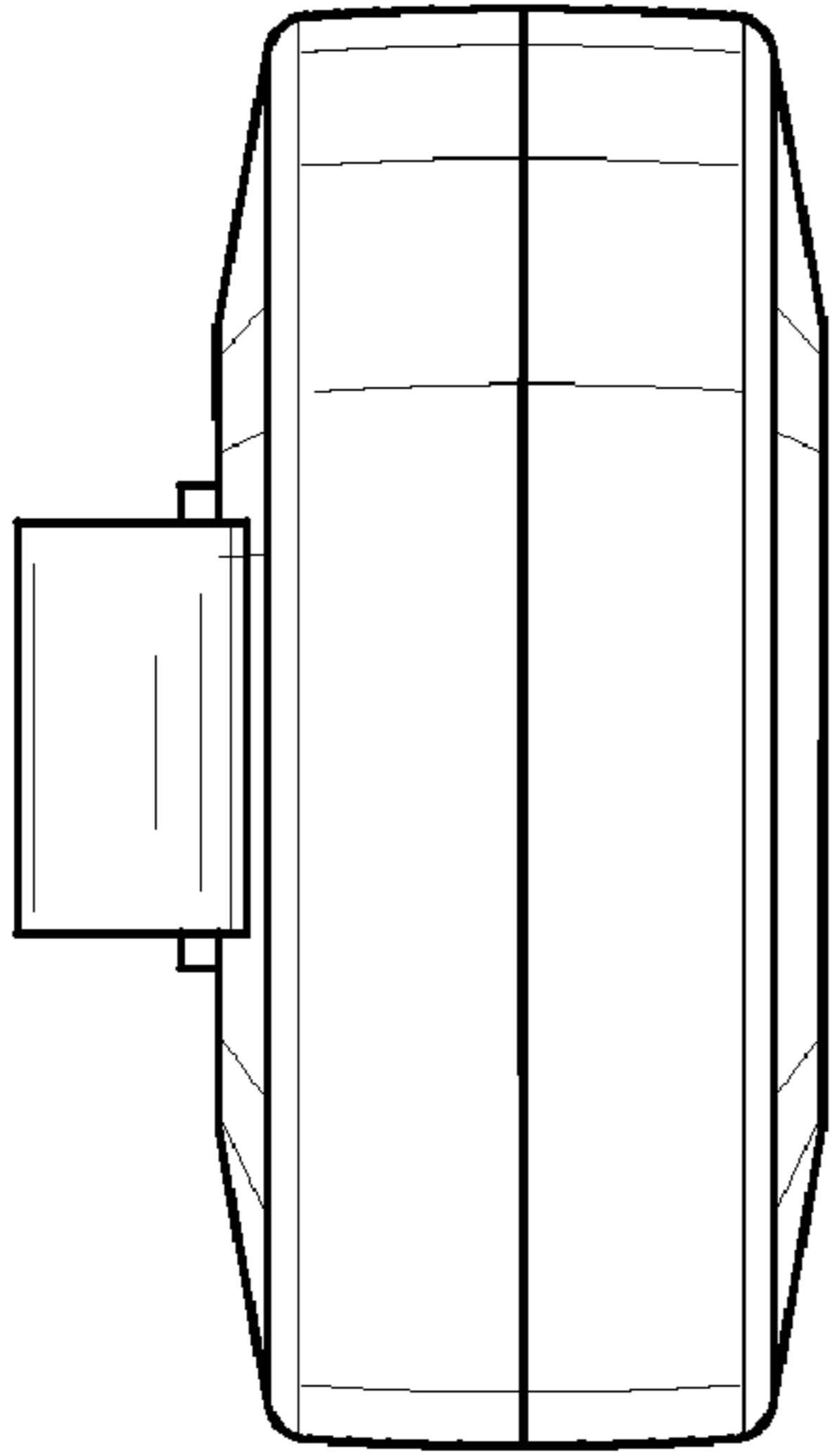


FIG. 4

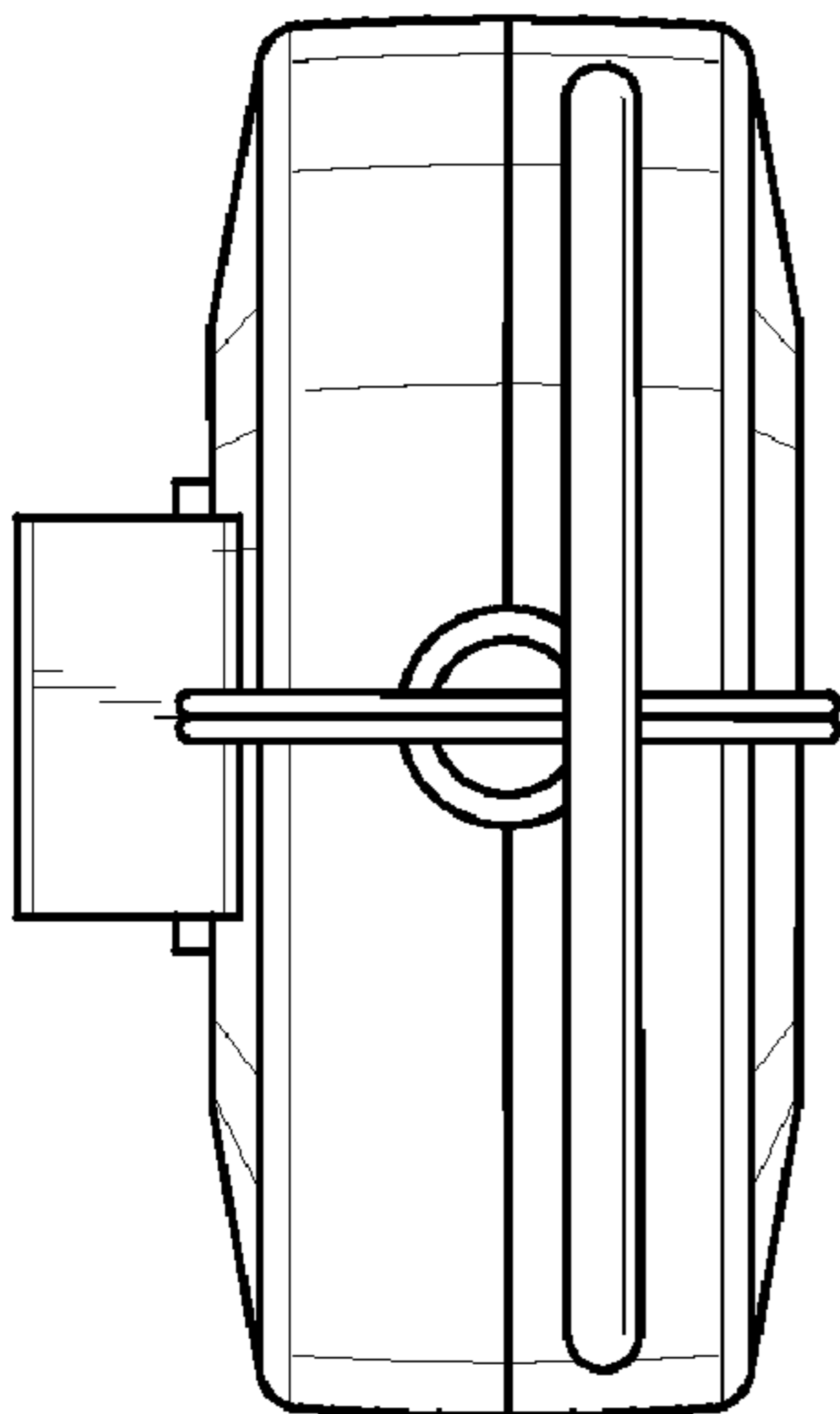


FIG. 6

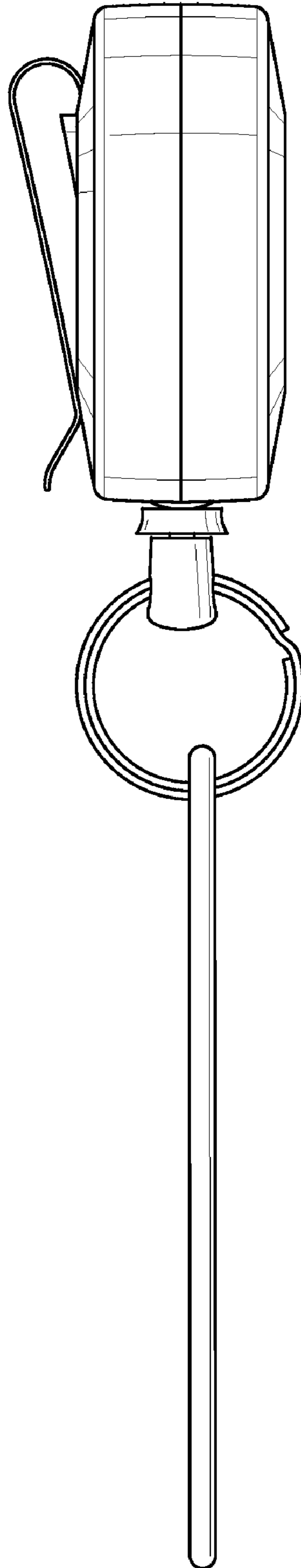


FIG. 5

