



US00D555446S

(12) **United States Design Patent**
Picaza Ibarrodo

(10) **Patent No.:** **US D555,446 S**

(45) **Date of Patent:** **** Nov. 20, 2007**

(54) **BLOW TORCH**

(75) **Inventor:** **Jose Ignacio Picaza Ibarrodo,**
Abadino (Vizcaya) (ES)

(73) **Assignee:** **Rothenberger, S.A.,** Abadiano
(Vizcaya) (ES)

(**) **Term:** **14 Years**

(21) **Appl. No.:** **29/246,244**

(22) **Filed:** **Mar. 27, 2006**

(51) **LOC (8) Cl.** **08-05**

(52) **U.S. Cl.** **D8/30; D15/144**

(58) **Field of Classification Search** D8/30,
D8/14, 29.1; D15/144; 219/137.7, 137.31,
219/137.42, 137.62; 266/48; 239/414
See application file for complete search history.

(56) **References Cited**

U.S. PATENT DOCUMENTS

D296,863	S	*	7/1988	Vigneau	D8/30
D326,594	S	*	6/1992	Haberman	D8/30
D343,629	S	*	1/1994	Bode	D15/144
D346,390	S	*	4/1994	Sperling et al.	D15/144
6,025,574	A	*	2/2000	Colangelo, Jr.	219/137.31

6,225,599	B1	*	5/2001	Altekruse	219/137.31
6,649,858	B2	*	11/2003	Wakeman	219/73.2
6,824,735	B2	*	11/2004	Pryor	266/48
D514,606	S	*	2/2006	Picaza	D15/144.2
6,998,575	B1	*	2/2006	Kensrue	219/137.31
D535,166	S	*	1/2007	Kensrue et al.	D8/30

* cited by examiner

Primary Examiner—Philip S. Hyder

(74) *Attorney, Agent, or Firm*—Lucas & Mercanti, LLP

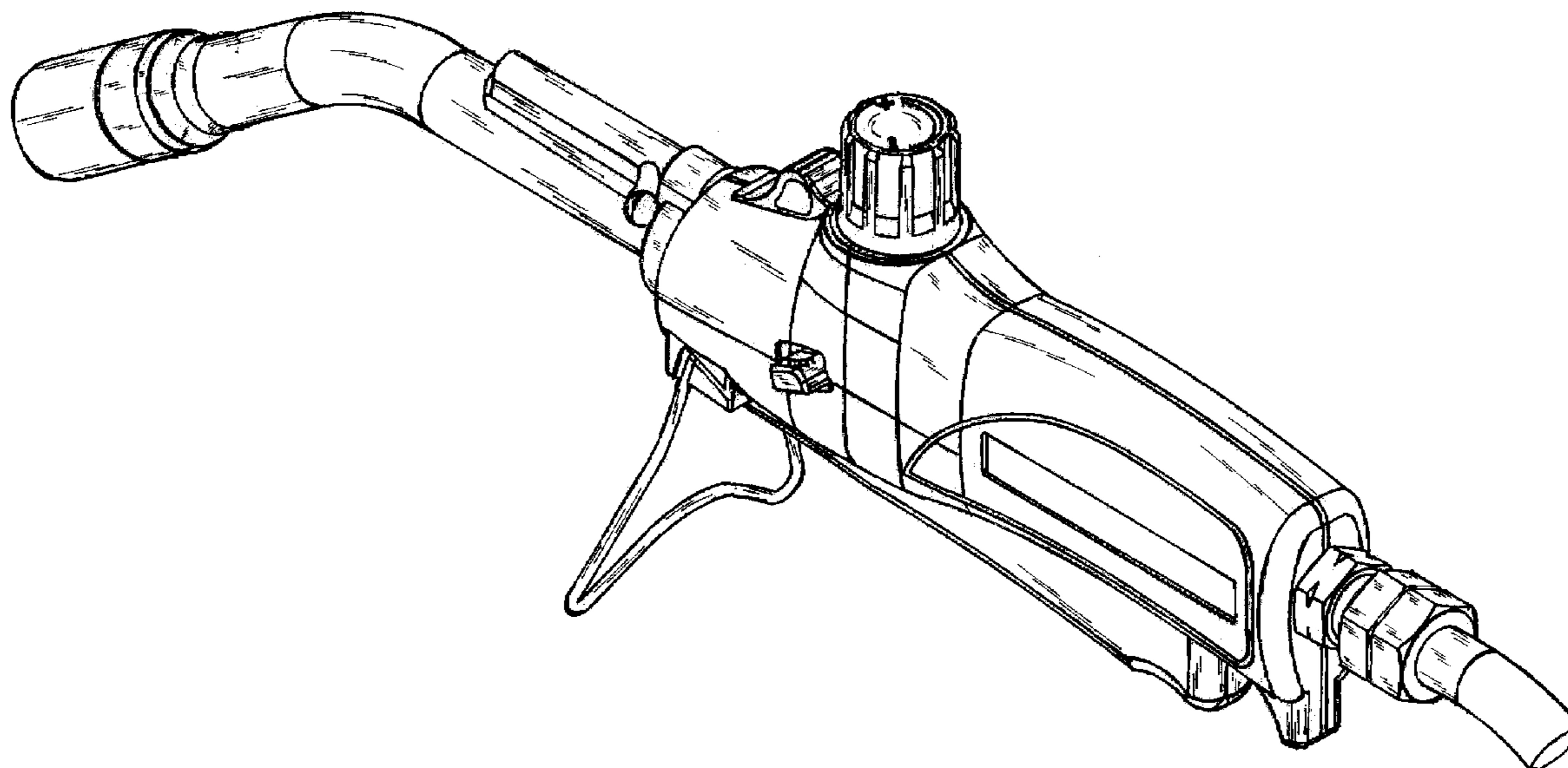
(57) **CLAIM**

The ornamental design for a blow torch, substantially as shown and described.

DESCRIPTION

FIG. 1 is a front view of my blow torch design;
FIG. 2 is a back view of my blow torch design;
FIG. 3 is a right-side view of my blow torch design;
FIG. 4 is a left-side view of my blow torch design;
FIG. 5 is a top view of my blow torch design;
FIG. 6 is a bottom view of my blow torch design; and,
FIG. 7 is a perspective view of my blow torch design.

1 Claim, 7 Drawing Sheets



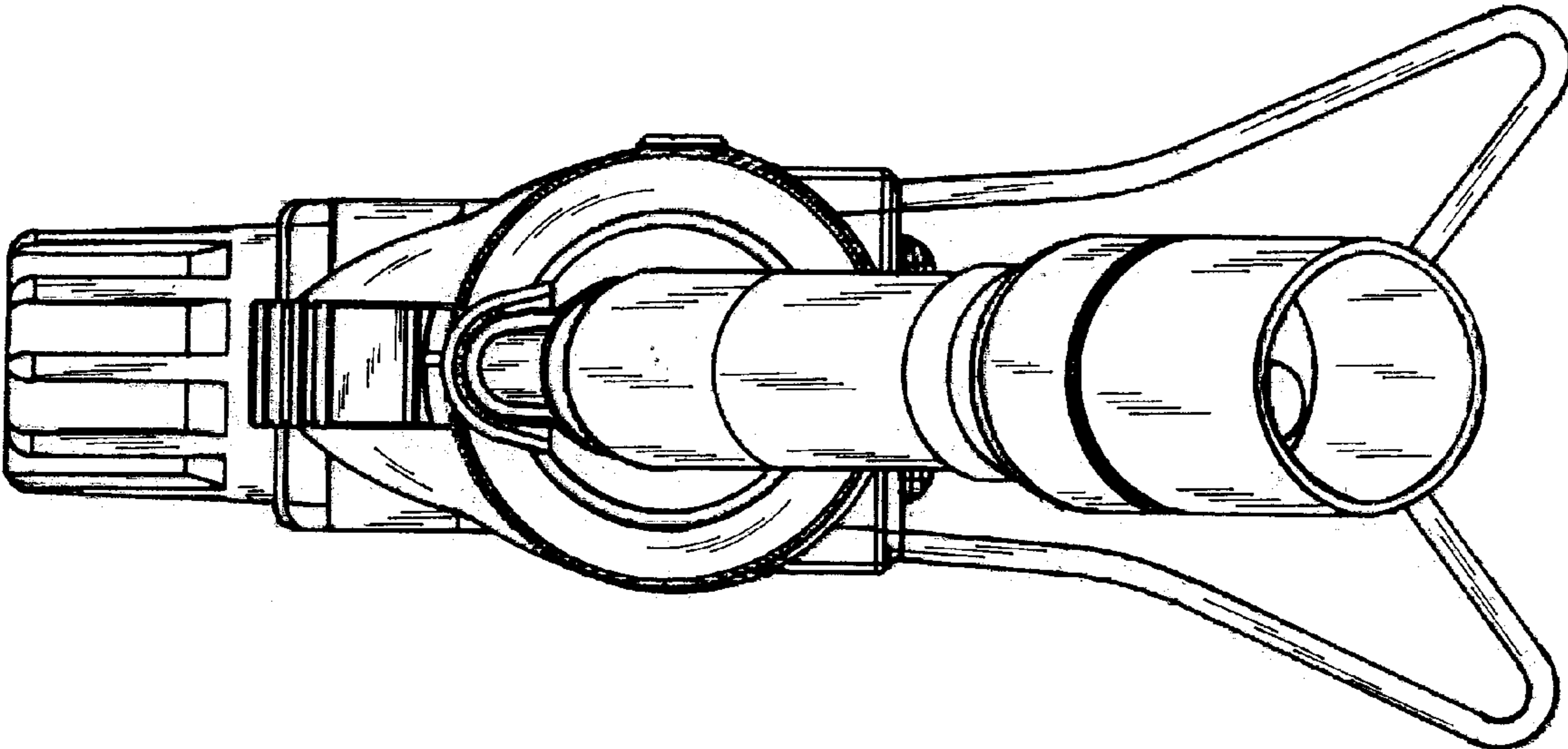
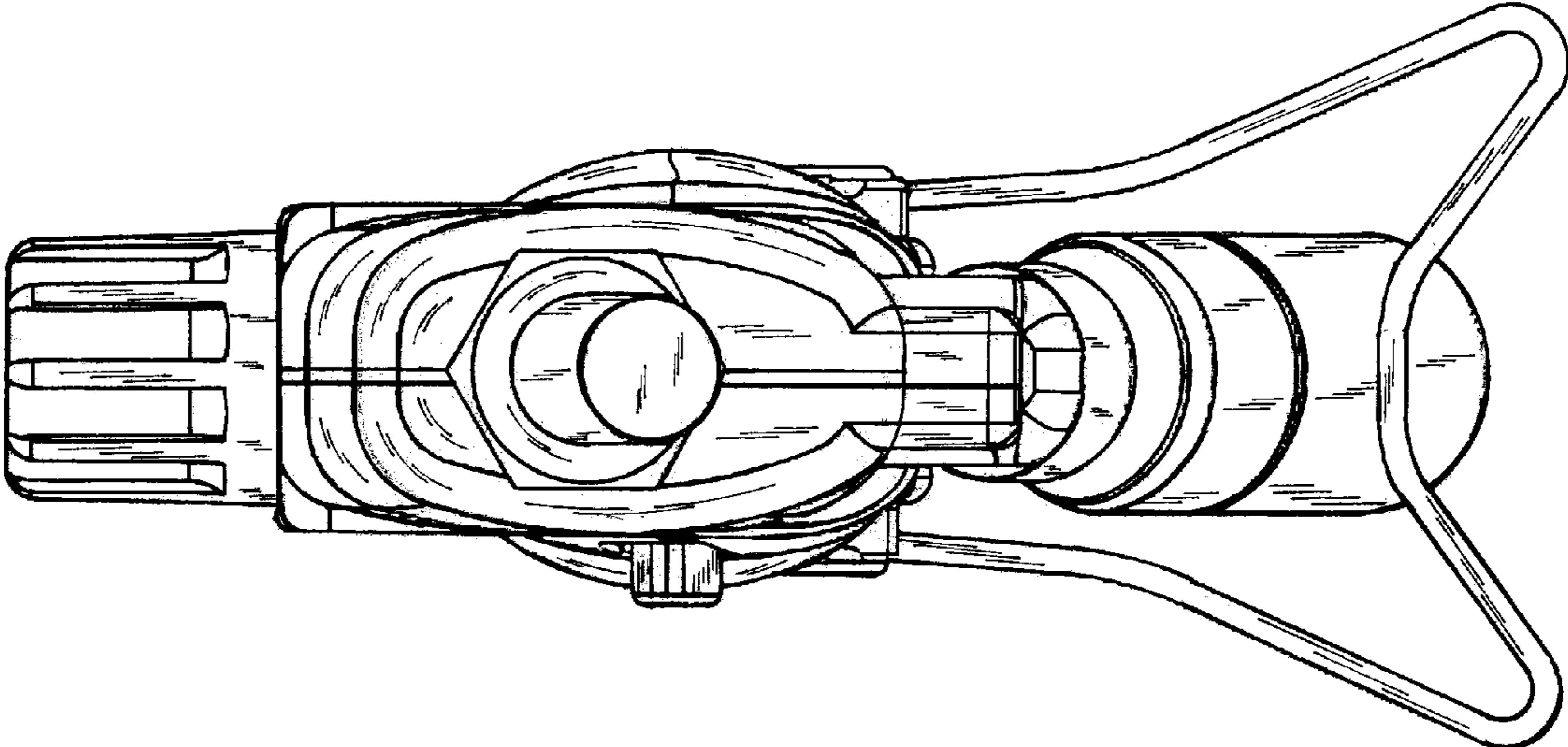


Fig. 1

Fig. 2



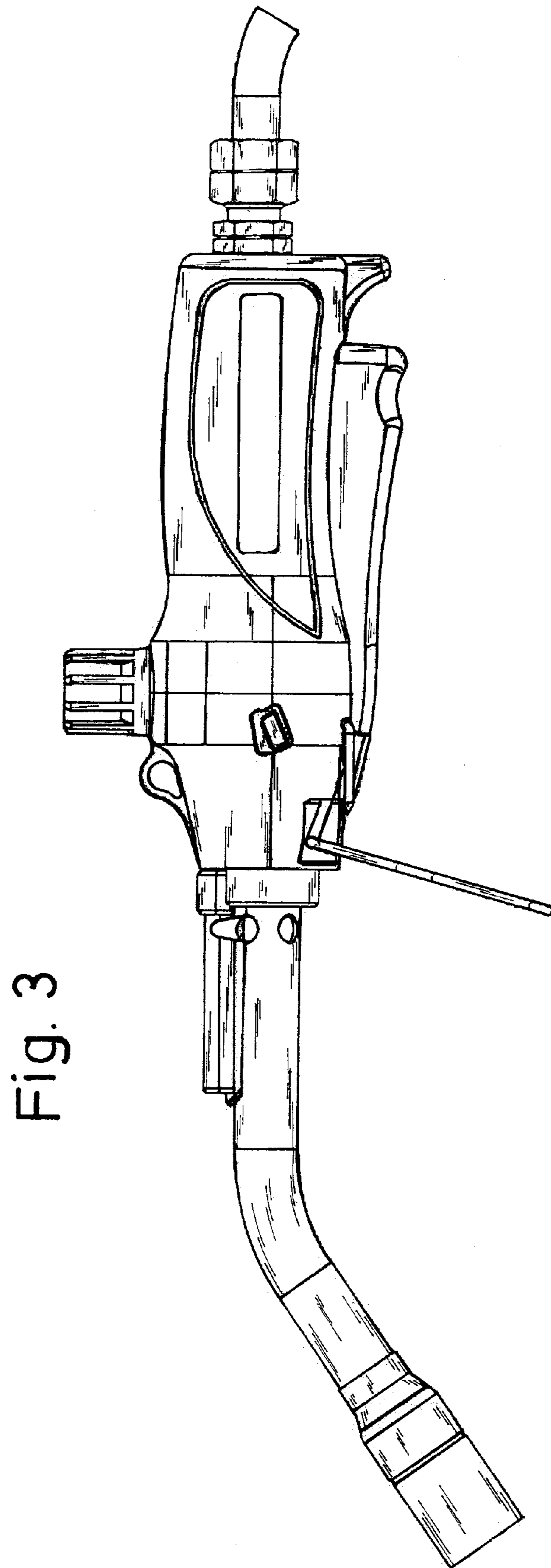


Fig. 3

Fig. 4

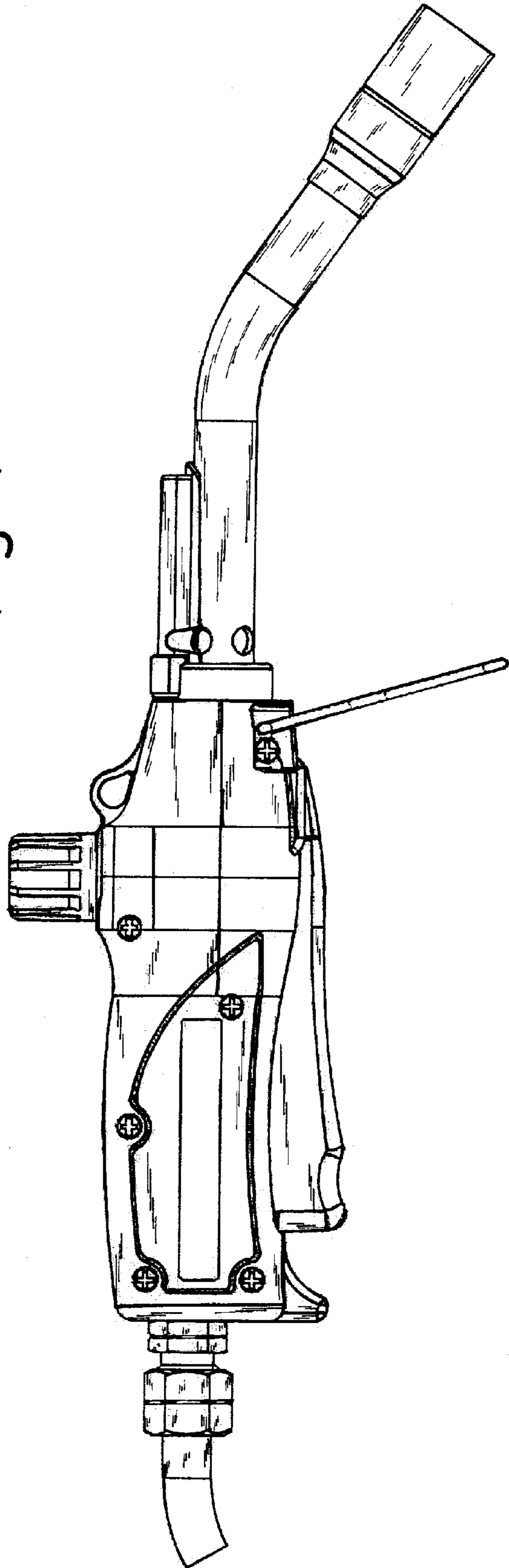


Fig. 5

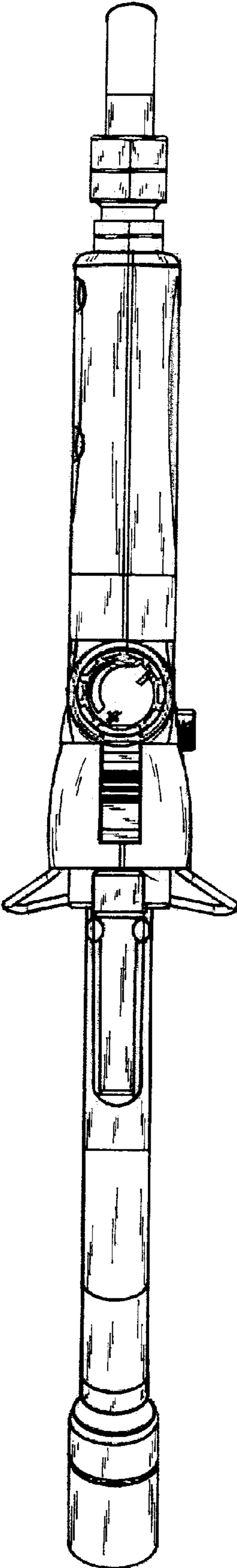
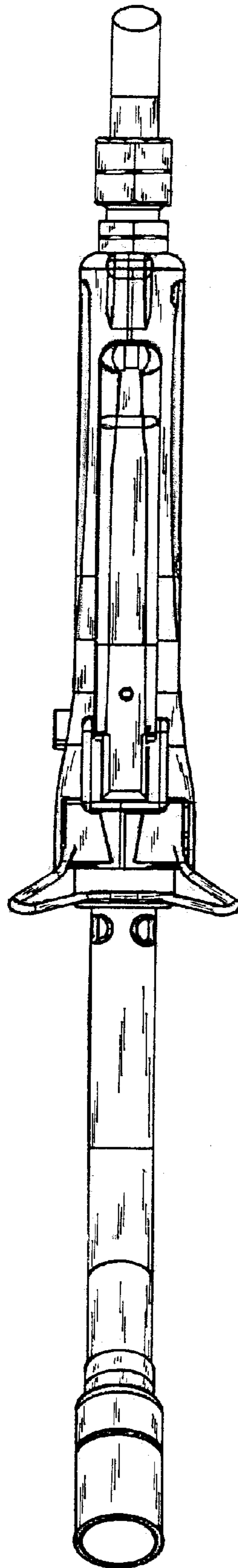


Fig. 6



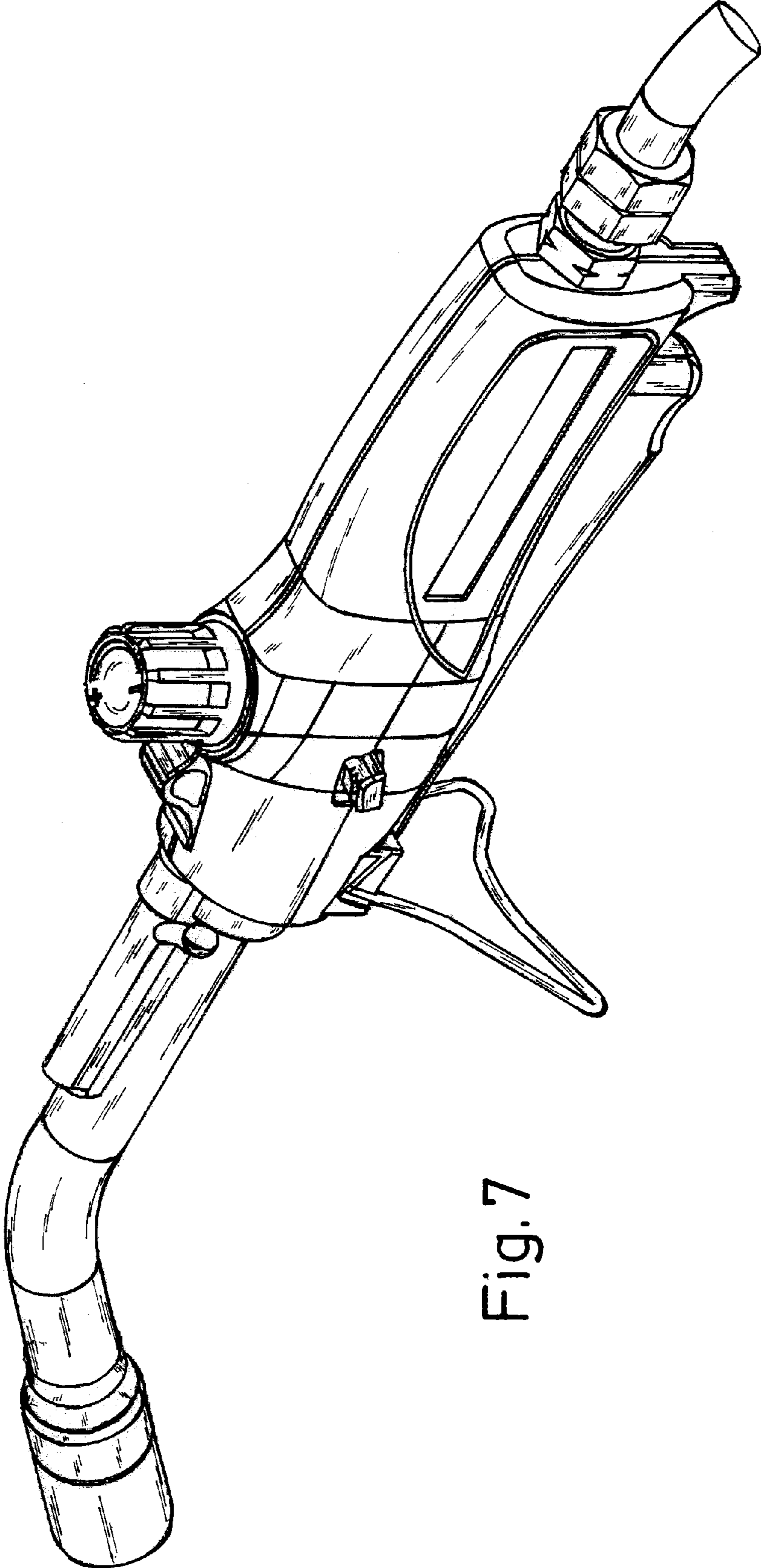


Fig. 7