



US00D555445S

(12) **United States Design Patent**
Strahorn

(10) **Patent No.:** **US D555,445 S**

(45) **Date of Patent:** **** Nov. 20, 2007**

(54) **T-HANDLE HEX WRENCH**

D377,444 S 1/1997 Lin D8/107
D378,797 S 4/1997 Poremba et al. D8/107
D392,535 S 3/1998 Vasudeva et al. D8/83

(75) Inventor: **Bradley S. Strahorn**, St. Louis, MO
(US)

(Continued)

(73) Assignee: **Easco Hand Tools, Inc.**, Simsbury, CT
(US)

OTHER PUBLICATIONS

(**) Term: **14 Years**

T-Handle Hex Wrench, Figures 1 and 2.
Chaparral Motorsports Catalog dated 2003.
Grizzly Industrial Catalog dated 2003, p. 188.
Bailey's Catalog dated 2004, p. 17.

(21) Appl. No.: **29/285,518**

(22) Filed: **Mar. 30, 2007**

Primary Examiner—Raphael Barkai
Assistant Examiner—Randall H Gholson
(74) *Attorney, Agent, or Firm*—Nelson Mullins Riley &
Scarborough, LLP

Related U.S. Application Data

(62) Division of application No. 29/255,141, filed on Mar.
3, 2006.

(57) **CLAIM**

(51) **LOC (8) Cl.** **08-05**

The ornamental design of a T-handle hex wrench, as shown
and described.

(52) **U.S. Cl.** **D8/21**

(58) **Field of Classification Search** D8/17-29,
D8/105, 107, 52, 55; 81/119, 121.1, 86,
81/124.2, 125, 125.1, 176.1, 176.2, 177.1,
81/177.2, 177.3, 177.85, 124.3, 124.7, 176.3,
81/121.7, 436, 437, 165, 418, 166, 168, 169,
81/170, 179, 160, 3.57, 3.55, 58.4, 186, 58.3,
81/300, 58.1, 60; 16/422, 429; 140/119

DESCRIPTION

See application file for complete search history.

FIG. 1 is a perspective view of a T-handle hex wrench
embodying the design of the present invention;

FIG. 2 is a front elevation view of the T-handle hex wrench
illustrated in FIG. 1;

FIG. 3 is a back elevation view of the T-handle hex wrench
shown in FIG. 1;

(56) **References Cited**

U.S. PATENT DOCUMENTS

1,970,409 A * 8/1934 Wiedemann 81/30
2,346,364 A 4/1944 Dowe 279/83
D217,324 S 4/1970 Michels D8/29
3,651,718 A 3/1972 Thomasian 81/52.4
3,672,419 A 6/1972 Fischer 145/65
4,238,978 A 12/1980 Leone 81/480
D284,346 S * 6/1986 Masters D8/21
D285,769 S 9/1986 Flory et al. D8/31
4,926,721 A 5/1990 Hsiao 81/177.4
D339,048 S 9/1993 Baum D8/107
D339,279 S 9/1993 Baum D8/83
5,421,225 A 6/1995 Chen 81/490

FIG. 4 is a left side view of the T-handle hex wrench shown
in FIG. 1;

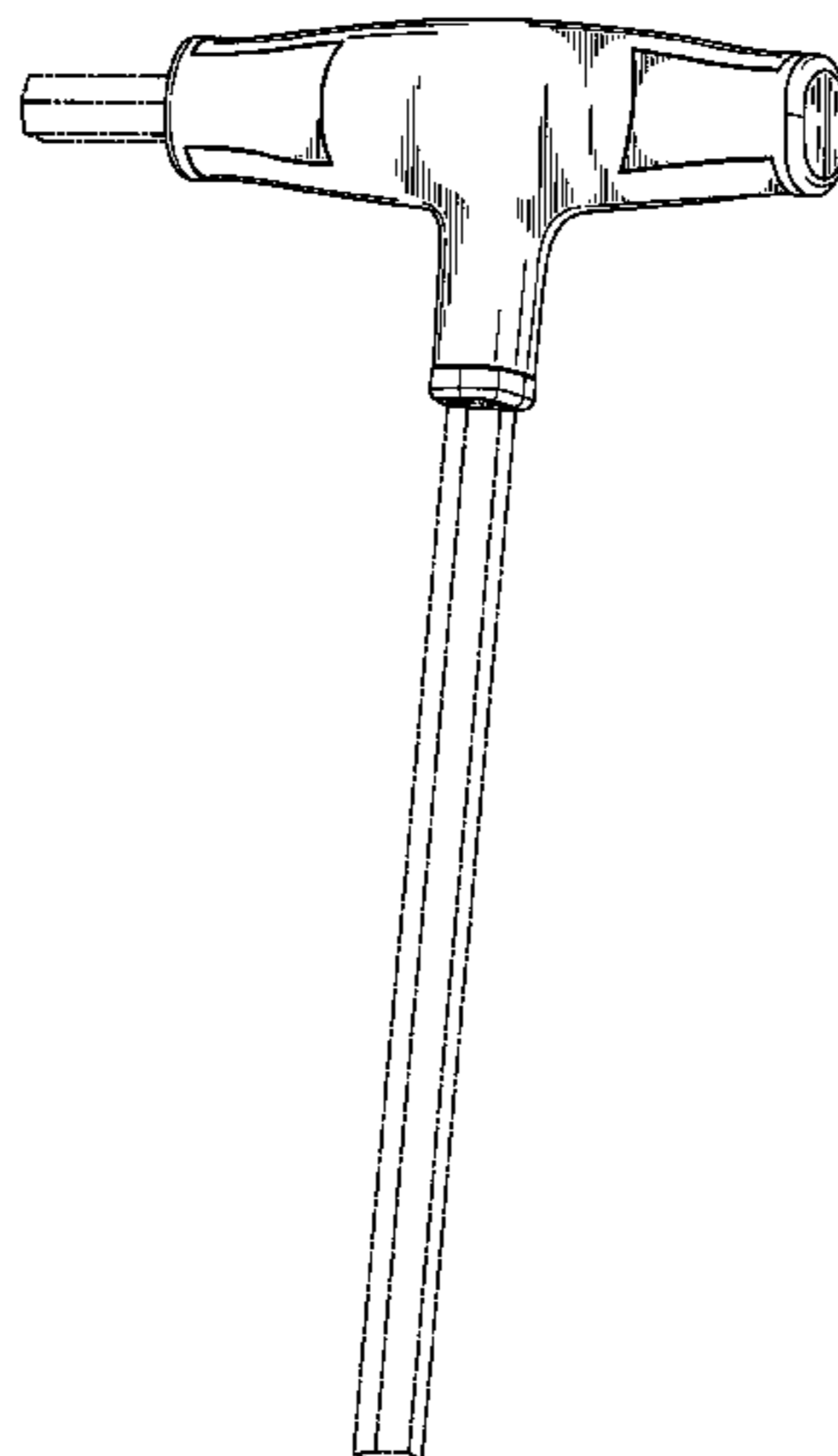
FIG. 5 is a right side view of the T-handle hex wrench shown
in FIG. 1;

FIG. 6 is a top view of the T-handle hex wrench illustrated
in FIG. 1; and,

FIG. 7 is a bottom view of the T-handle hex wrench
illustrated in FIG. 1.

Broken lines are for illustrative purposes and form no part of
the claim.

1 Claim, 5 Drawing Sheets



US D555,445 S

Page 2

U.S. PATENT DOCUMENTS

D394,794 S	6/1998	Vasudeva	D8/107	D470,733 S	2/2003	Schmitt, Jr.	D8/21
5,822,830 A	10/1998	Lin	16/111 R	D482,588 S *	11/2003	Lai	D8/107
D409,463 S	5/1999	McMullin	D8/25	6,675,678 B2	1/2004	Liu	81/177.2
D422,145 S *	4/2000	Hsu	D4/116	D486,723 S	2/2004	Chang	D8/347
6,151,998 A	11/2000	Fu-Hui	81/177.4	D493,685 S	8/2004	Dallas	D8/107
6,347,450 B1	2/2002	Langlois et al.	29/748	D517,634 S	3/2006	Nunez et al.	D21/789
D454,045 S	3/2002	Rinner et al.	D8/107	7,166,040 B2	1/2007	Hoffman et al.	473/334
6,378,402 B1	4/2002	Kalomeris et al.	81/177.5	2003/0110906 A1	6/2003	Li et al.	81/177.1
6,378,701 B1 *	4/2002	Kuo	206/378	2003/0188605 A1 *	10/2003	Chang	81/60

* cited by examiner

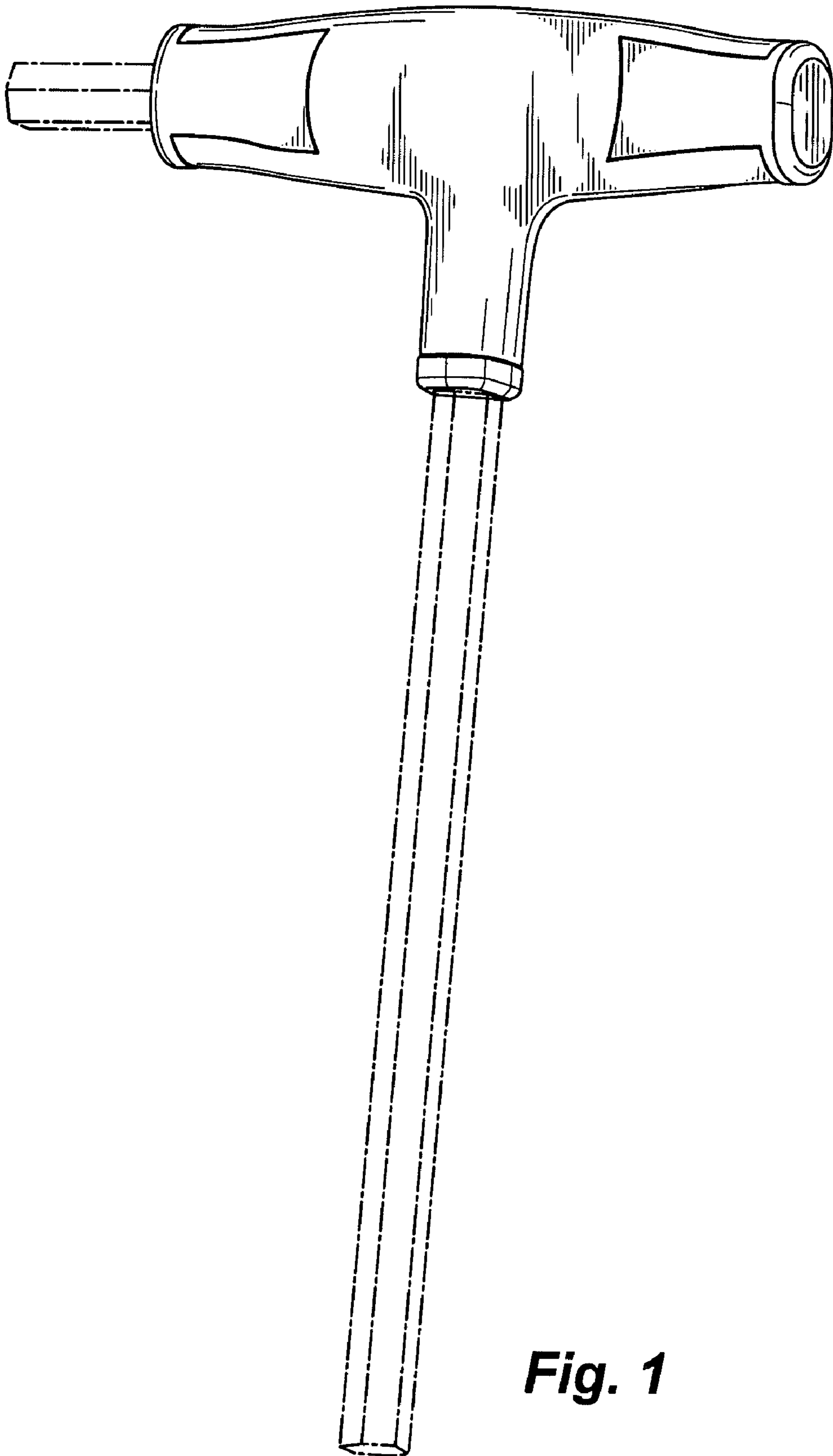


Fig. 1

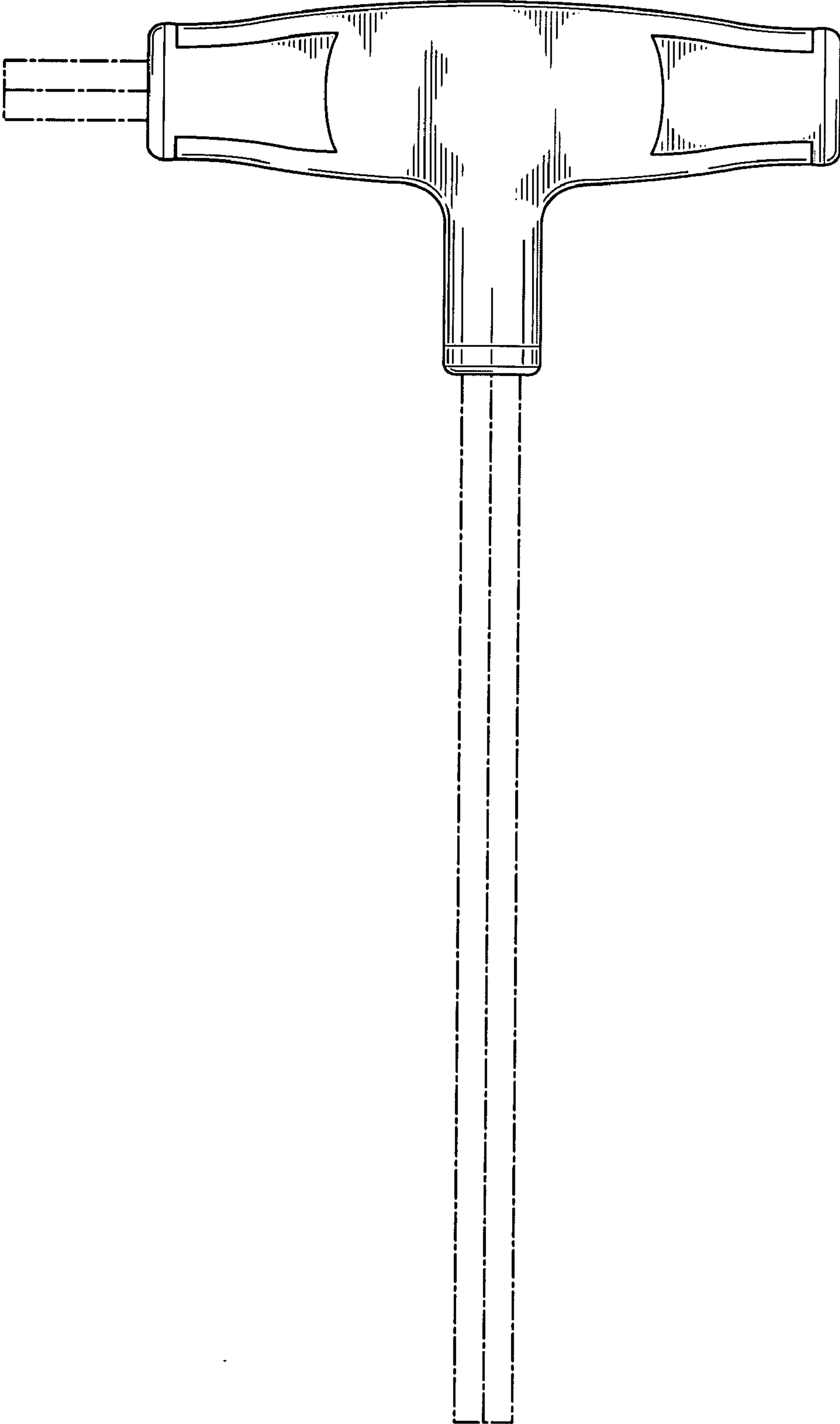


Fig. 2

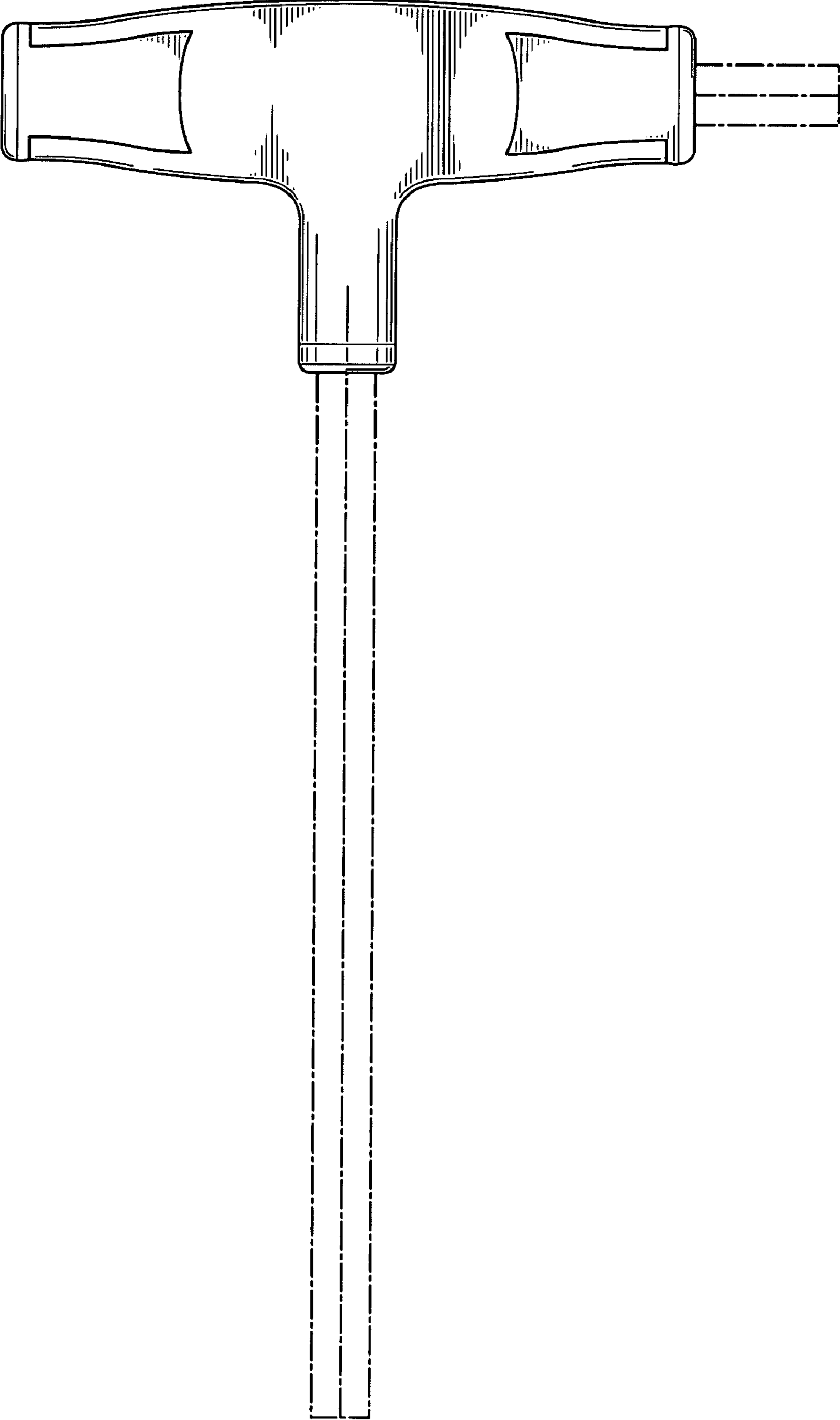


Fig. 3

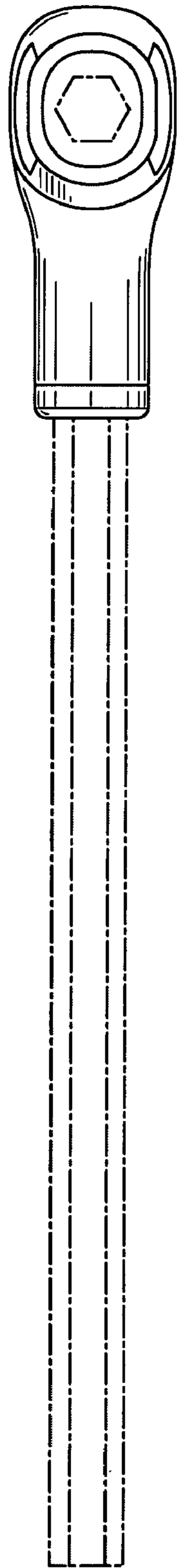


Fig. 4

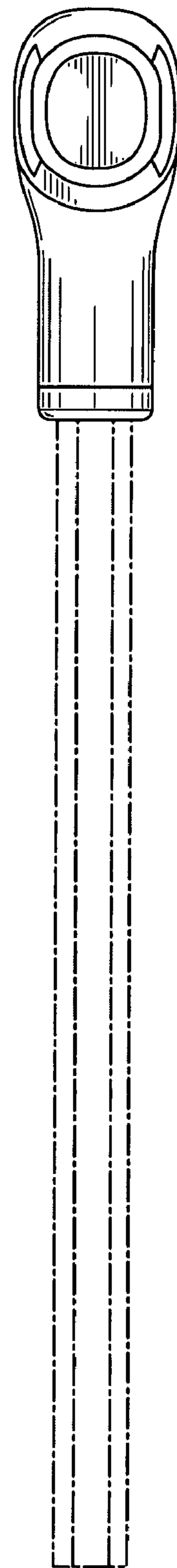


Fig. 5

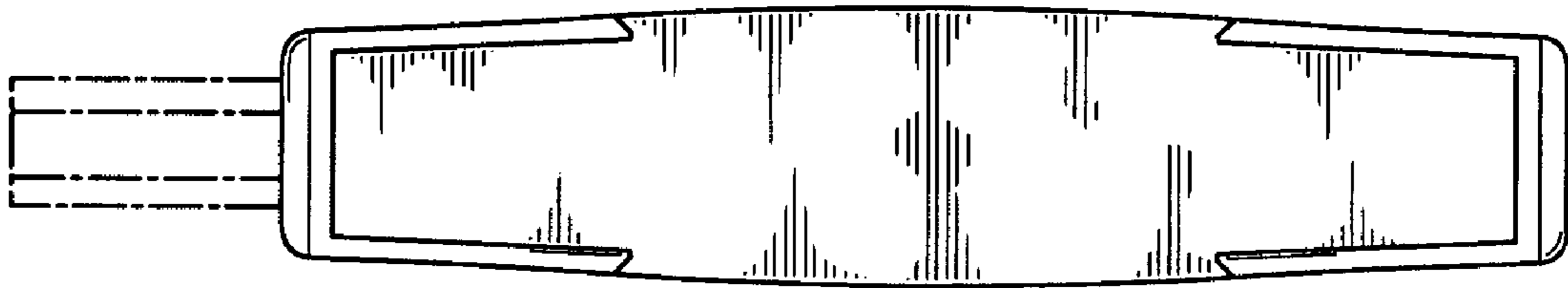


Fig. 6

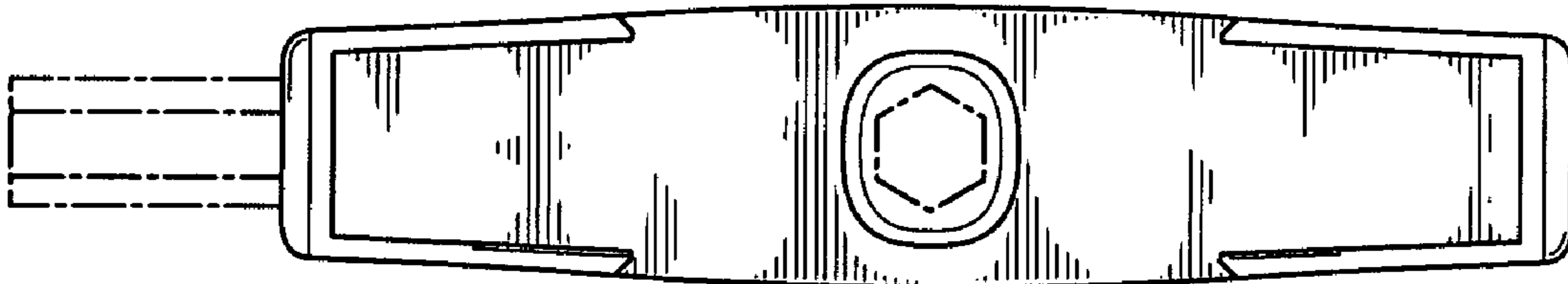


Fig. 7