



US00D555440S

(12) **United States Design Patent**
Murray

(10) **Patent No.:** **US D555,440 S**

(45) **Date of Patent:** **** Nov. 20, 2007**

(54) **INTERCONNECTABLE MODULE FOR A TREE SURROUND**

(76) Inventor: **Brian K. Murray**, 2105 252nd St.
NW., Stanwood, WA (US) 98292-9242

(**) Term: **14 Years**

(21) Appl. No.: **29/253,827**

(22) Filed: **Feb. 13, 2006**

(51) **LOC (8) Cl.** **08-01**

(52) **U.S. Cl.** **D8/1**

(58) **Field of Classification Search** D8/1;
47/32.5, 32.7, 33, 47, 85
See application file for complete search history.

(56) **References Cited**

U.S. PATENT DOCUMENTS

313,424	A	3/1885	Hughes	
490,309	A *	1/1893	Ryan et al.	47/32.5
2,011,405	A *	8/1935	Giliasso	47/32.5
2,782,561	A	2/1957	Smith	
3,305,969	A	2/1967	Mattson	
3,545,128	A	12/1970	Fontaine et al.	
4,308,688	A	1/1982	Revane	
4,642,938	A	2/1987	Georges	
D292,474	S	10/1987	Young	
4,700,507	A	10/1987	Allen	
D295,491	S	5/1988	Drumheller	
D301,536	S	6/1989	Spear	
4,858,378	A	8/1989	Helmy	
4,932,157	A *	6/1990	Shimp	47/33
4,934,093	A	6/1990	Yanna	
4,976,063	A	12/1990	Young	
D323,604	S *	2/1992	Deschryver	D8/1
5,157,867	A	10/1992	Fritch	
5,259,154	A	11/1993	Lilley	
5,323,557	A	6/1994	Sonntag	
5,367,822	A	11/1994	Beckham	
5,535,568	A	7/1996	Quinn	
5,605,009	A	2/1997	Elder	

D385,635	S *	10/1997	Nebelsieck	D25/164
5,794,378	A	8/1998	Beatrez	
D399,712	S *	10/1998	Villella	D8/1
5,839,222	A	11/1998	Sittner	
D407,507	S	3/1999	Owens et al.	
D428,781	S *	8/2000	Tanner	D8/1
D429,125	S *	8/2000	Ingleton	D8/1
D435,305	S	12/2000	Pullen et al.	
D453,895	S *	2/2002	Dewey	D8/1
6,349,500	B1	2/2002	Popham	
D455,504	S	4/2002	Foster	
D463,868	S	10/2002	Foster	
D536,225	S *	2/2007	Zinger	D8/1
2005/0034362	A1 *	2/2005	Anderson et al.	47/33

* cited by examiner

Primary Examiner—Holly H. Baynham

Assistant Examiner—Sheryl Friedman

(74) *Attorney, Agent, or Firm*—Todd N. Hathaway

(57) **CLAIM**

The ornamental design for an interconnectable module for a tree surround, as shown and described.

DESCRIPTION

FIG. 1 is a perspective view of an interconnectable module for a tree surround showing my new design, the additional modules that form the complete surround being shown in broken line form are for illustrative purposes only and form no part of the claimed design.

FIG. 2 is a top plan view of the interconnectable module of FIG. 1;

FIG. 3 is an inside elevational view thereof;

FIG. 4 is an outside elevational view thereof;

FIG. 5 is a first end elevational view thereof;

FIG. 6 is a second end elevational view thereof; and,

FIG. 7 is a bottom plan view thereof.

1 Claim, 3 Drawing Sheets

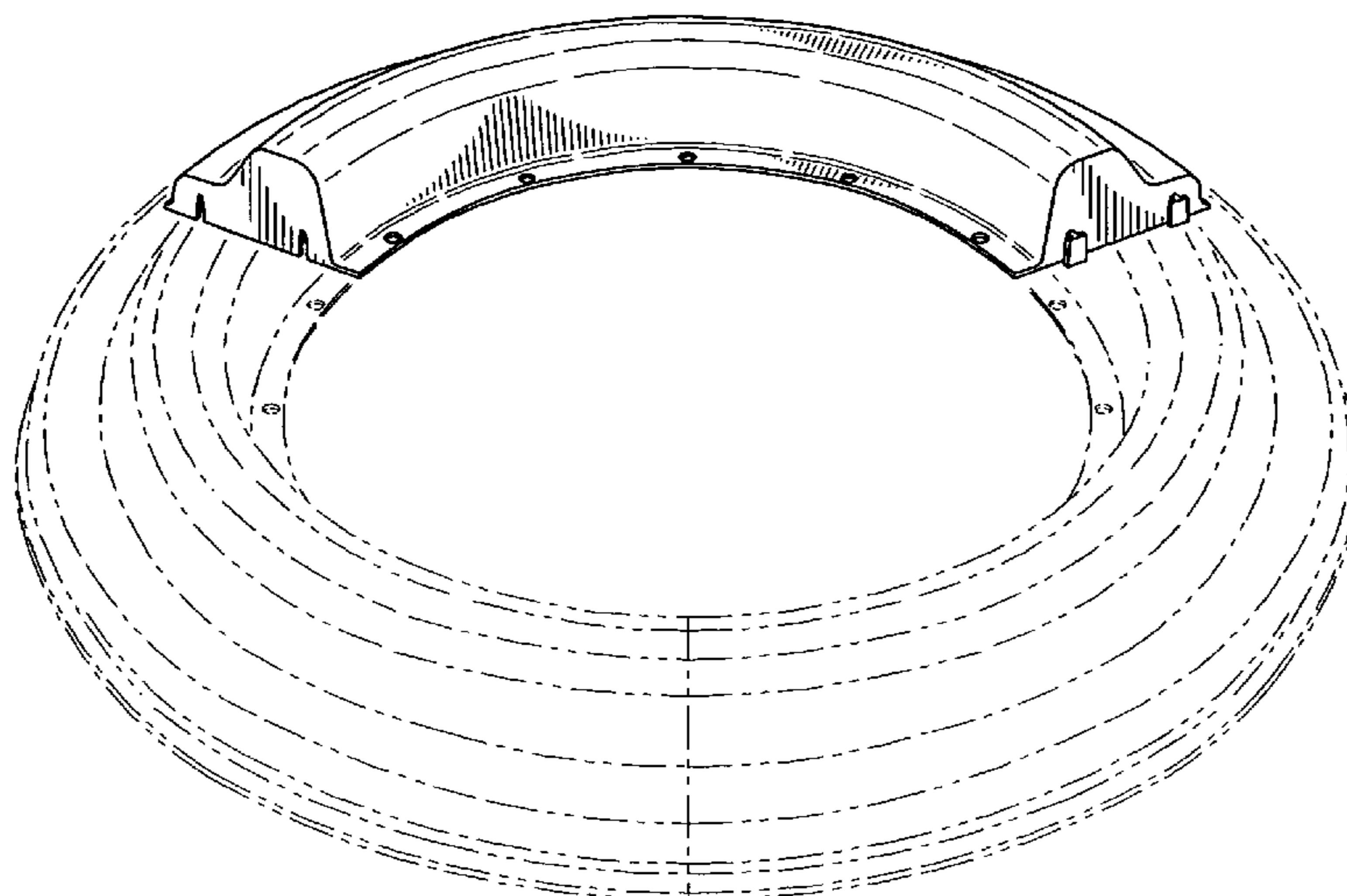


FIG. 1

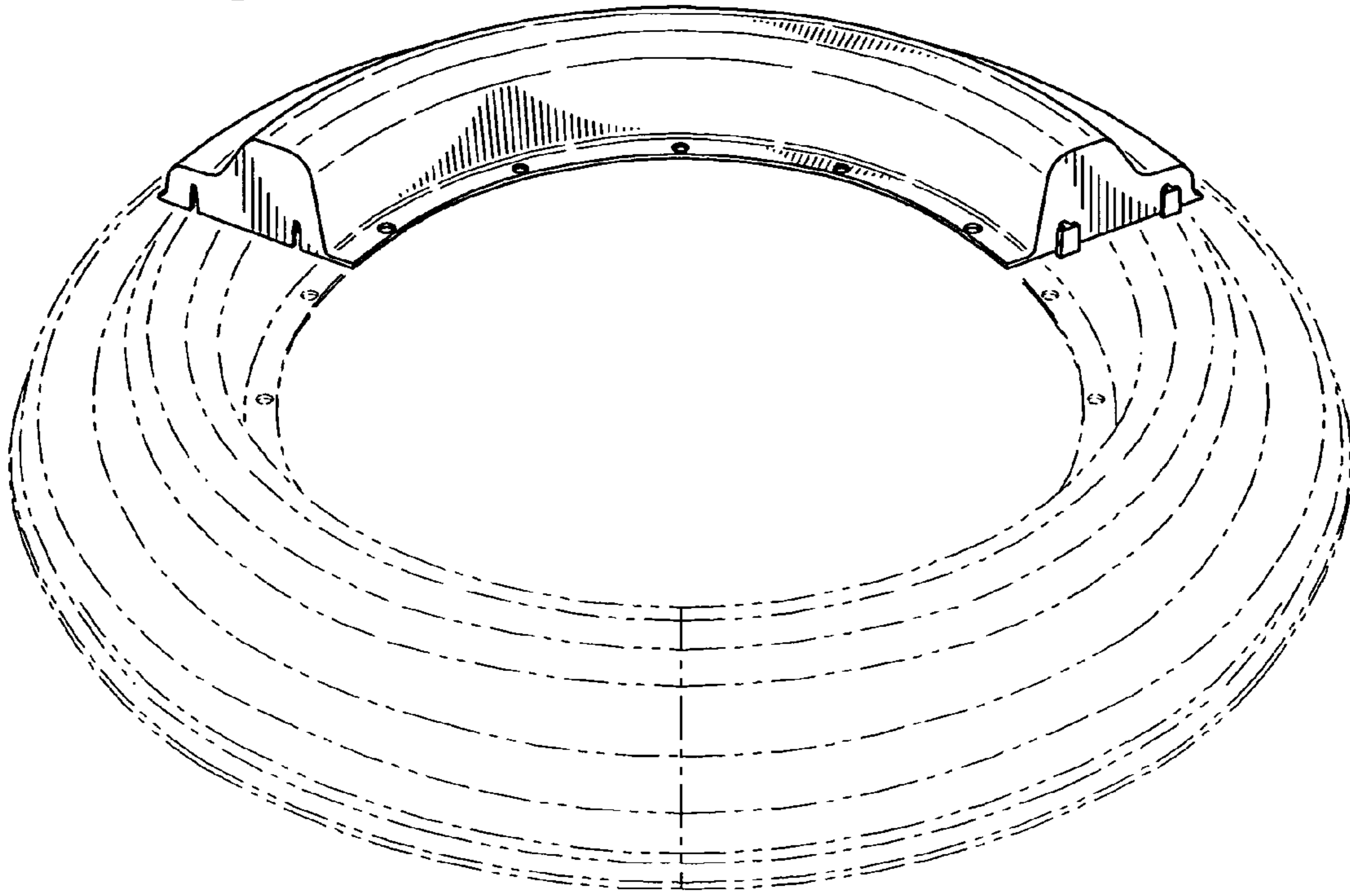


FIG. 2

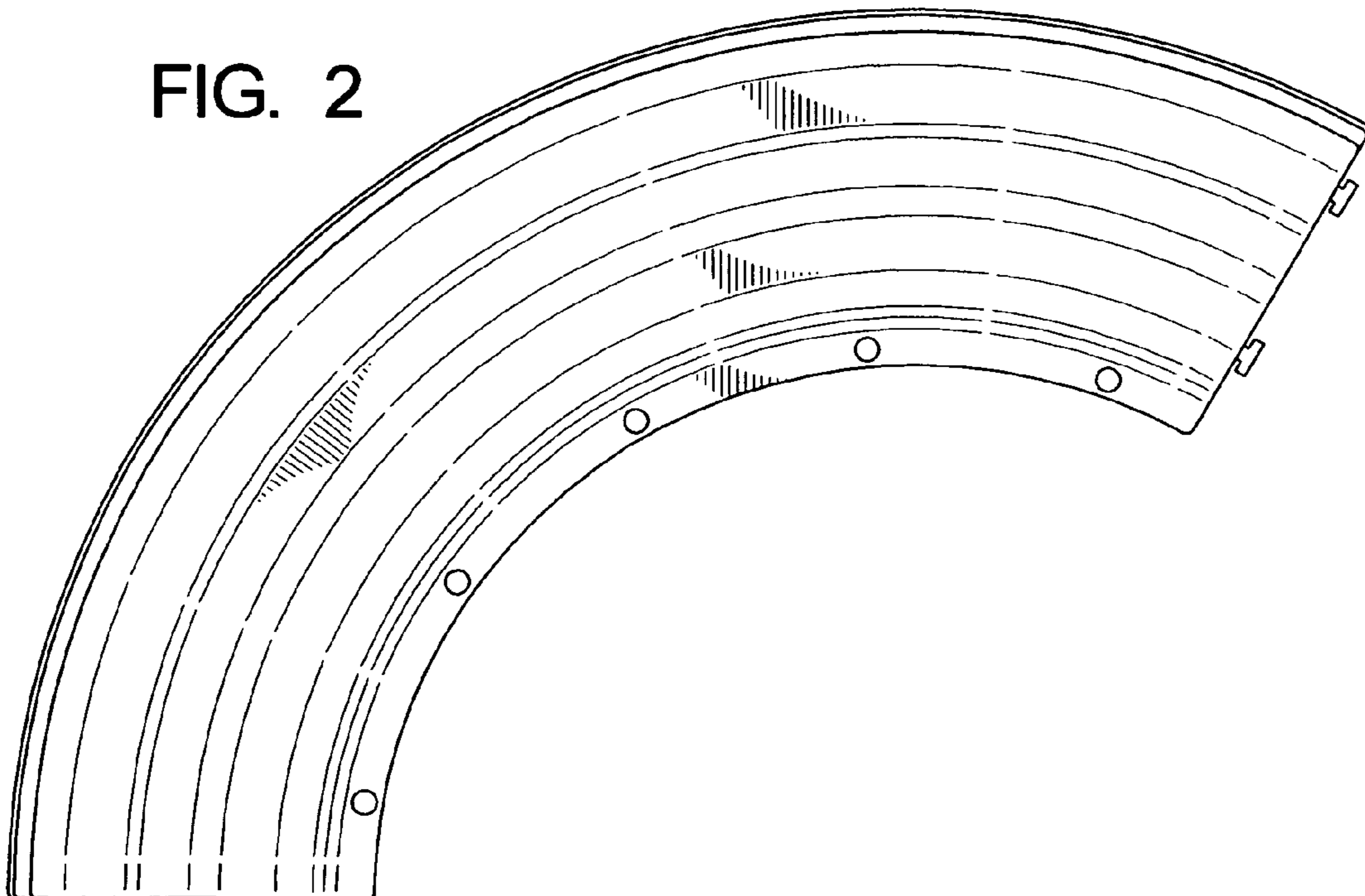


FIG. 3

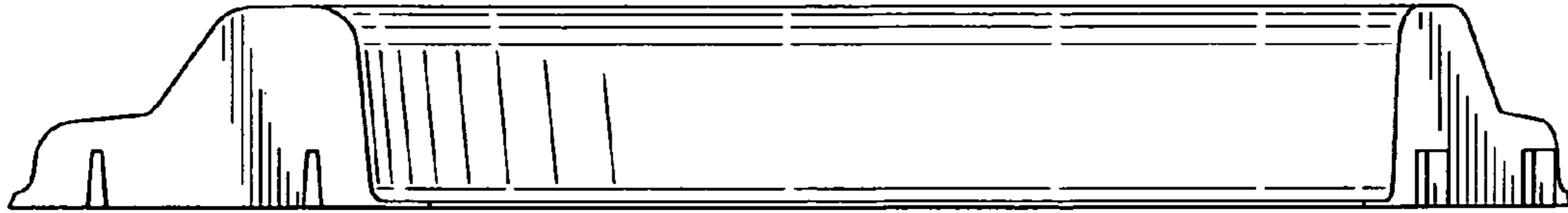


FIG. 4

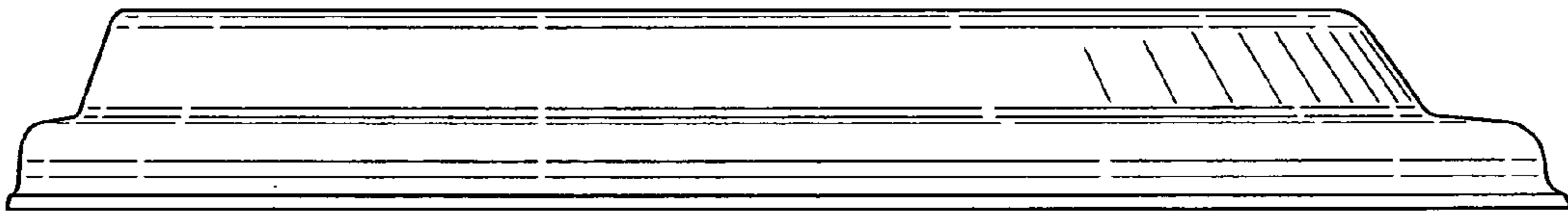


FIG. 5

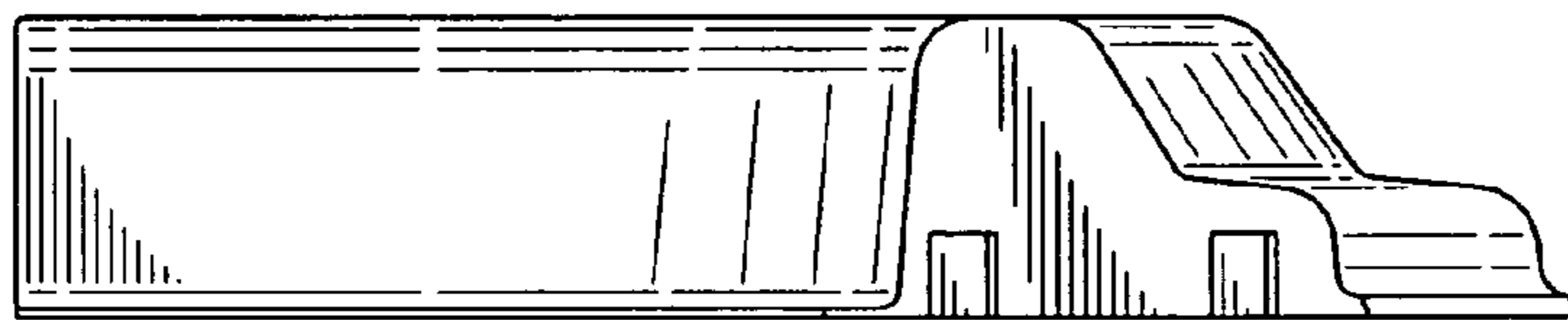


FIG. 6

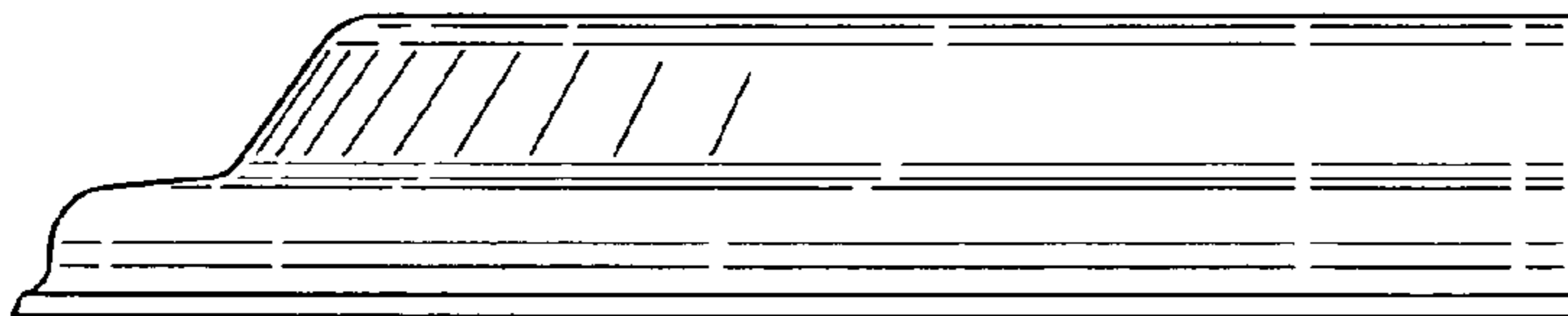


FIG. 7

