



US00D555439S

(12) **United States Design Patent**
Fletcher et al.

(10) **Patent No.:** **US D555,439 S**

(45) **Date of Patent:** **** Nov. 20, 2007**

(54) **FUNNEL**

(74) *Attorney, Agent, or Firm*—Hovey Williams LLP

(75) Inventors: **Vondie L. Fletcher**, Miami, OK (US);
Mark H. Bennett, Miami, OK (US);
Charlie L. Forbis, Quapaw, OK (US)

(57) **CLAIM**

The ornamental design for a funnel, as shown and described.

(73) Assignee: **Blitz U.S.A., Inc.**, Miami, OK (US)

(**) Term: **14 Years**

DESCRIPTION

(21) Appl. No.: **29/249,866**

FIG. 1 is a perspective view of a funnel embodying our design, with the semicircular recesses along the top margin of the funnel, the hanger-receiving hole at the rear of the top margin, the corrugations along the sidewall, and the circumferentially-spaced, stepped ribs adjacent the outlet of the funnel being shown in broken lines for illustrative purposes only and forming no part of the claimed design;

(22) Filed: **Oct. 24, 2006**

(51) **LOC (8) Cl.** **07-99**

(52) **U.S. Cl.** **D7/700; D15/150; D23/200**

(58) **Field of Classification Search** **D7/700;**
D15/150; D23/200; D24/121-123; 141/95,
141/98, 297-300, 331-345

FIG. 2 is an end elevation view of the funnel depicted in FIG. 1;

See application file for complete search history.

FIG. 3 is a side elevation view of the funnel depicted in FIGS. 1 and 2, with the opposite side elevation being a mirror image thereof;

(56) **References Cited**

U.S. PATENT DOCUMENTS

D158,693	S	*	5/1950	Salisbury, Jr.	D7/700
4,245,666	A	*	1/1981	Norris	141/337
D340,731	S	*	10/1993	Pollak et al.	D15/150
D350,969	S		9/1994	Chrisco		
D422,674	S		4/2000	Chrisco et al.		

FIG. 4 is an end elevation view of the funnel opposite that depicted in FIG. 2;

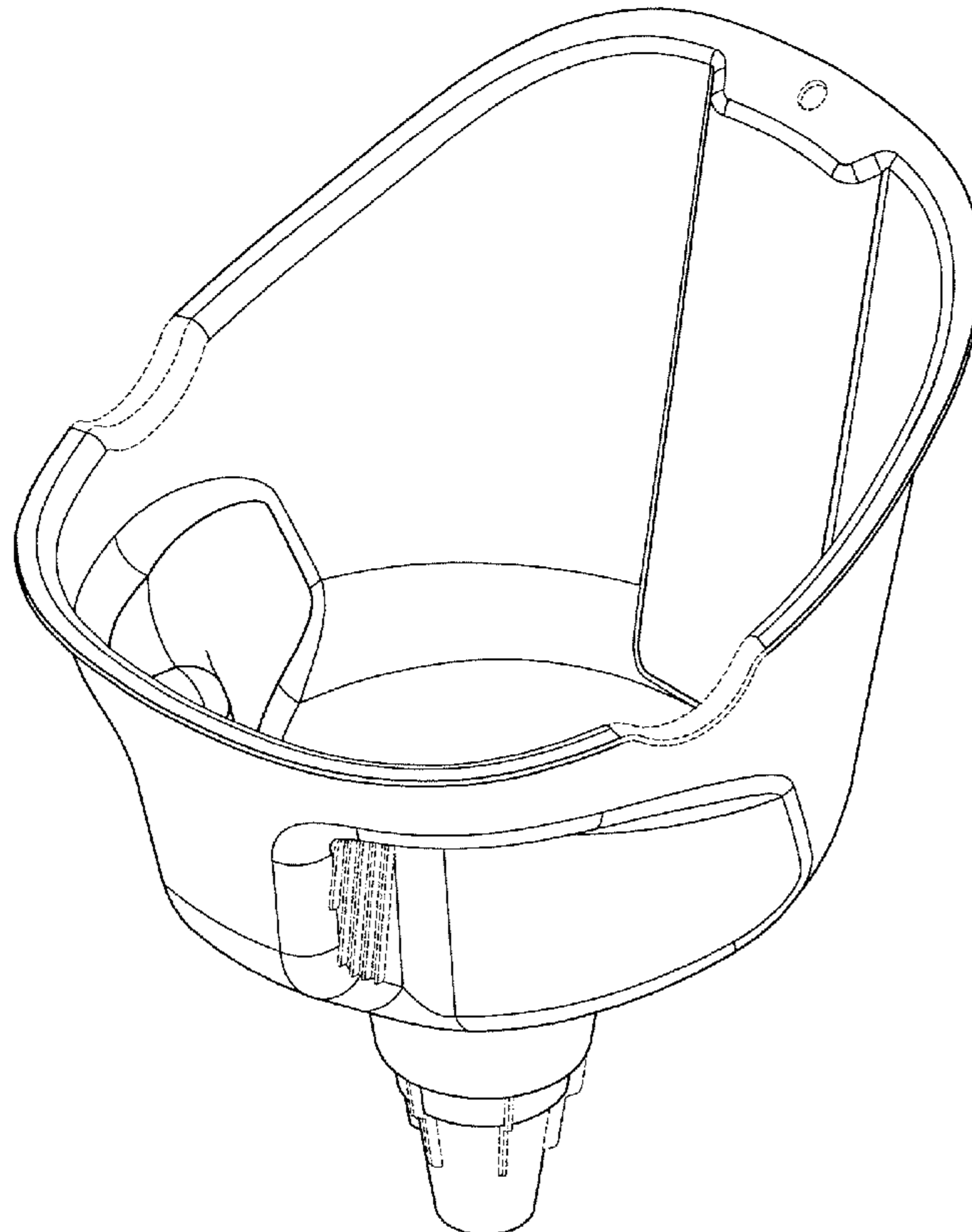
FIG. 5 is a top elevation view of the funnel depicted in FIGS. 1-4; and,

* cited by examiner

FIG. 6 is a bottom elevation view of the funnel depicted in FIGS. 1-5.

Primary Examiner—Terry A Wallace

1 Claim, 3 Drawing Sheets



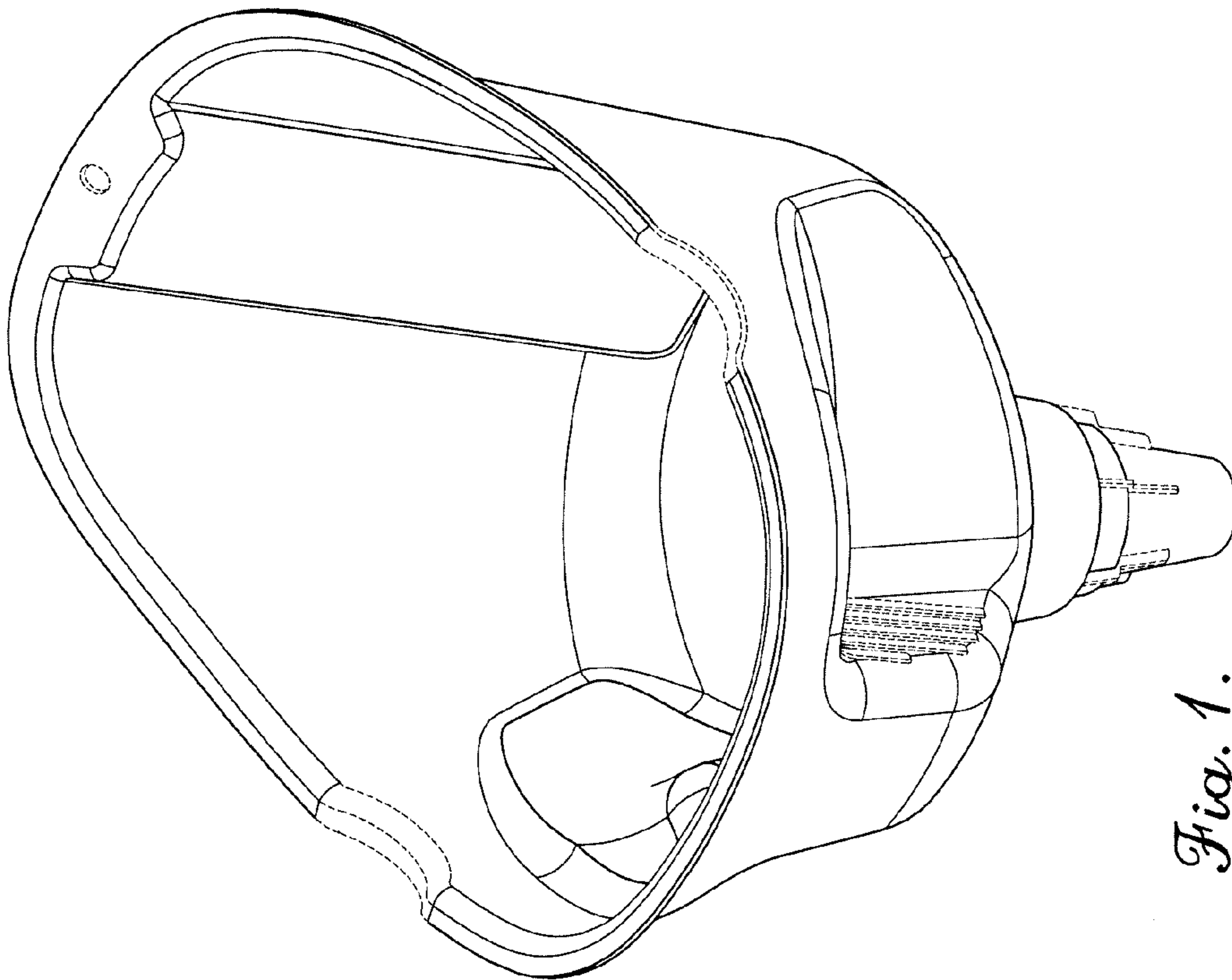


Fig. 1.

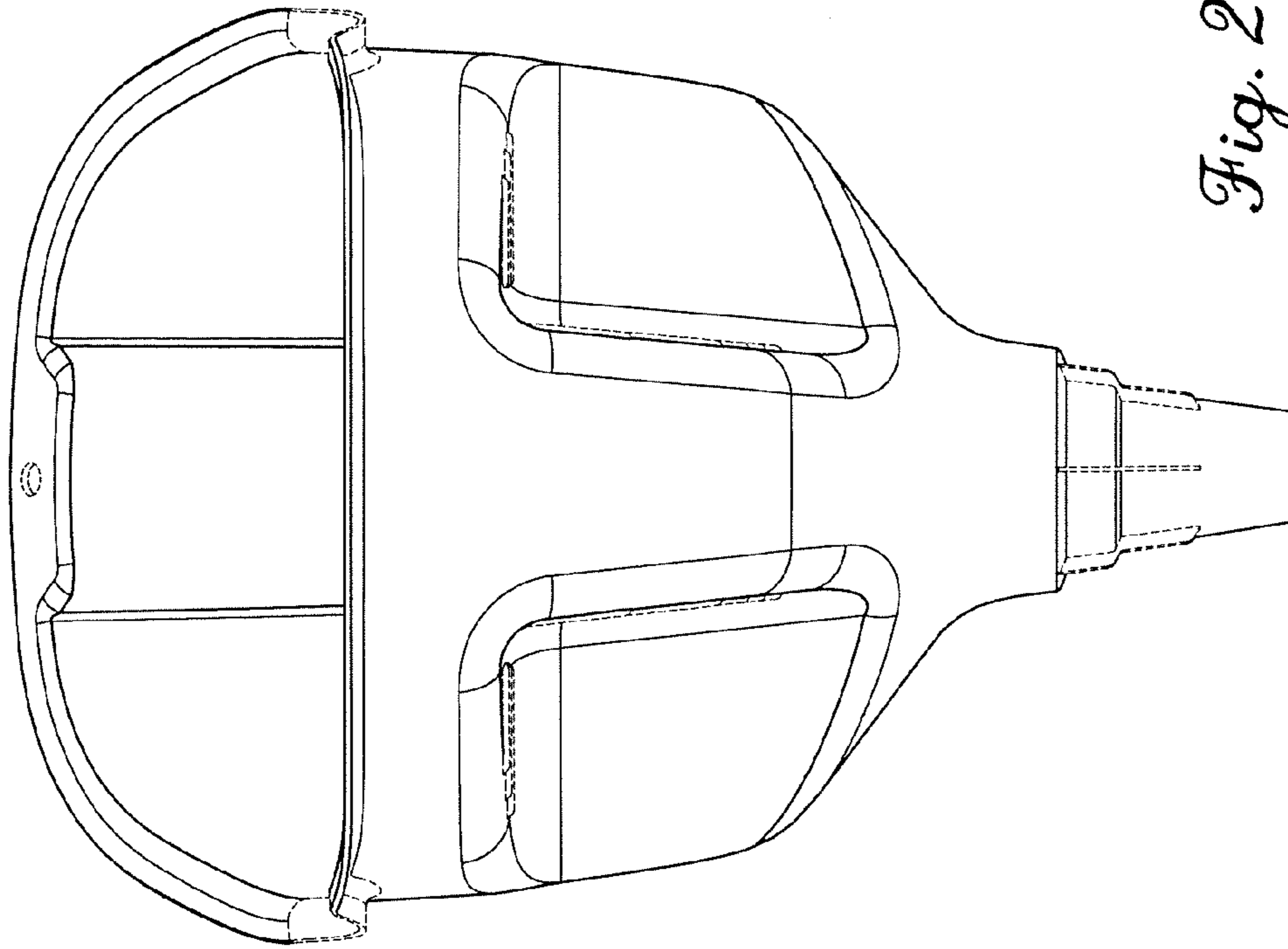


Fig. 2.

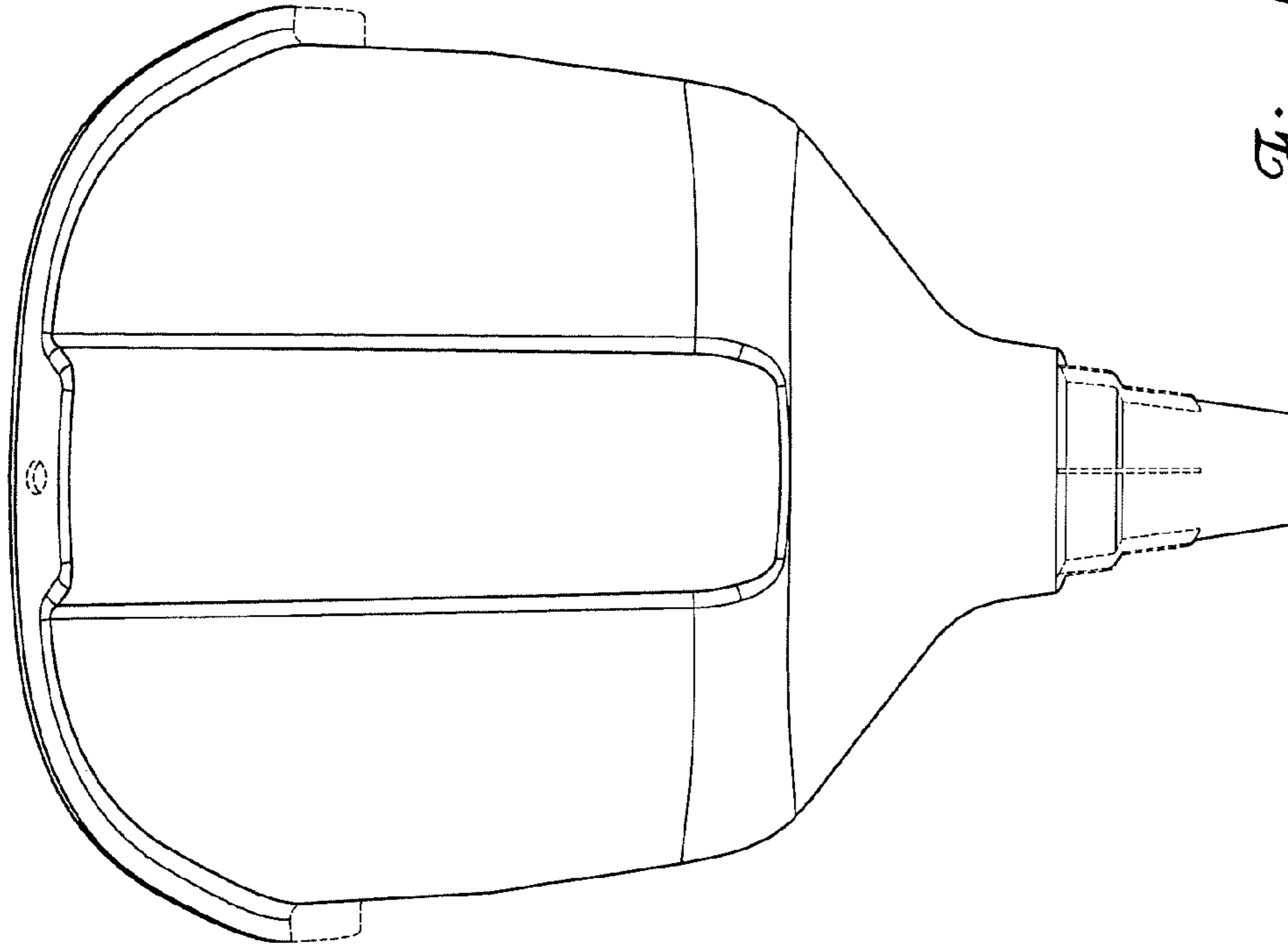


Fig. 4.

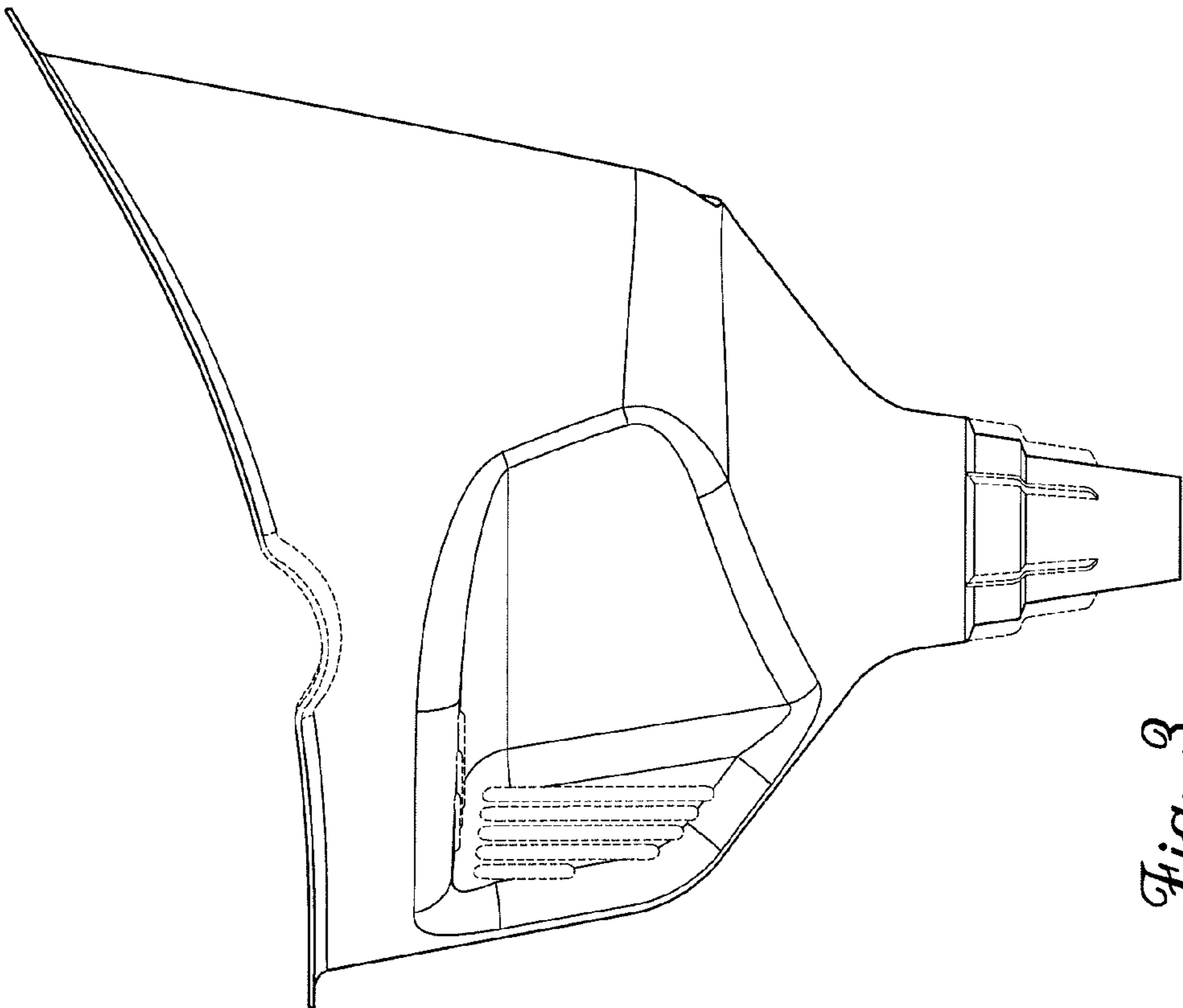


Fig. 3.

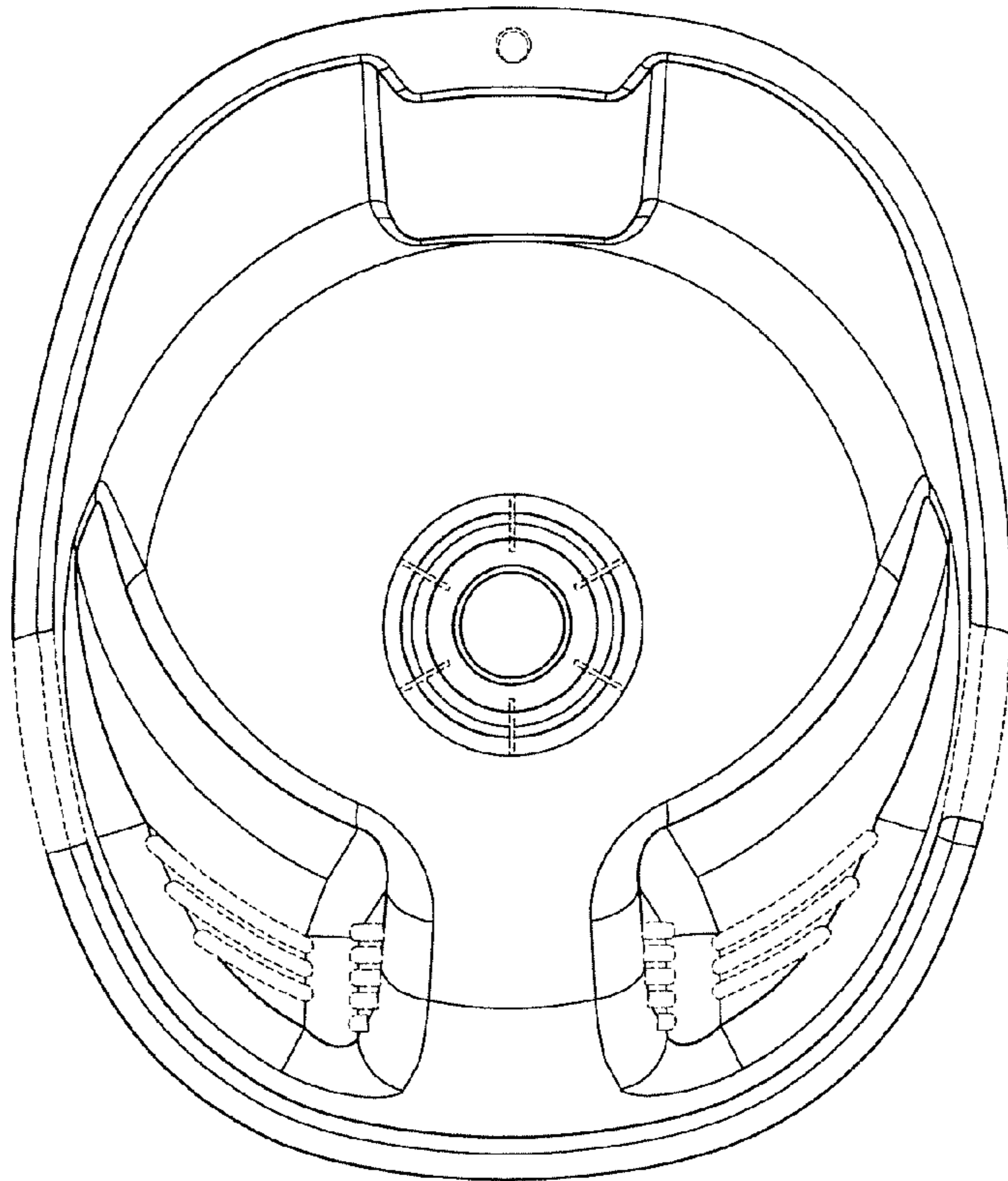


Fig. 6.

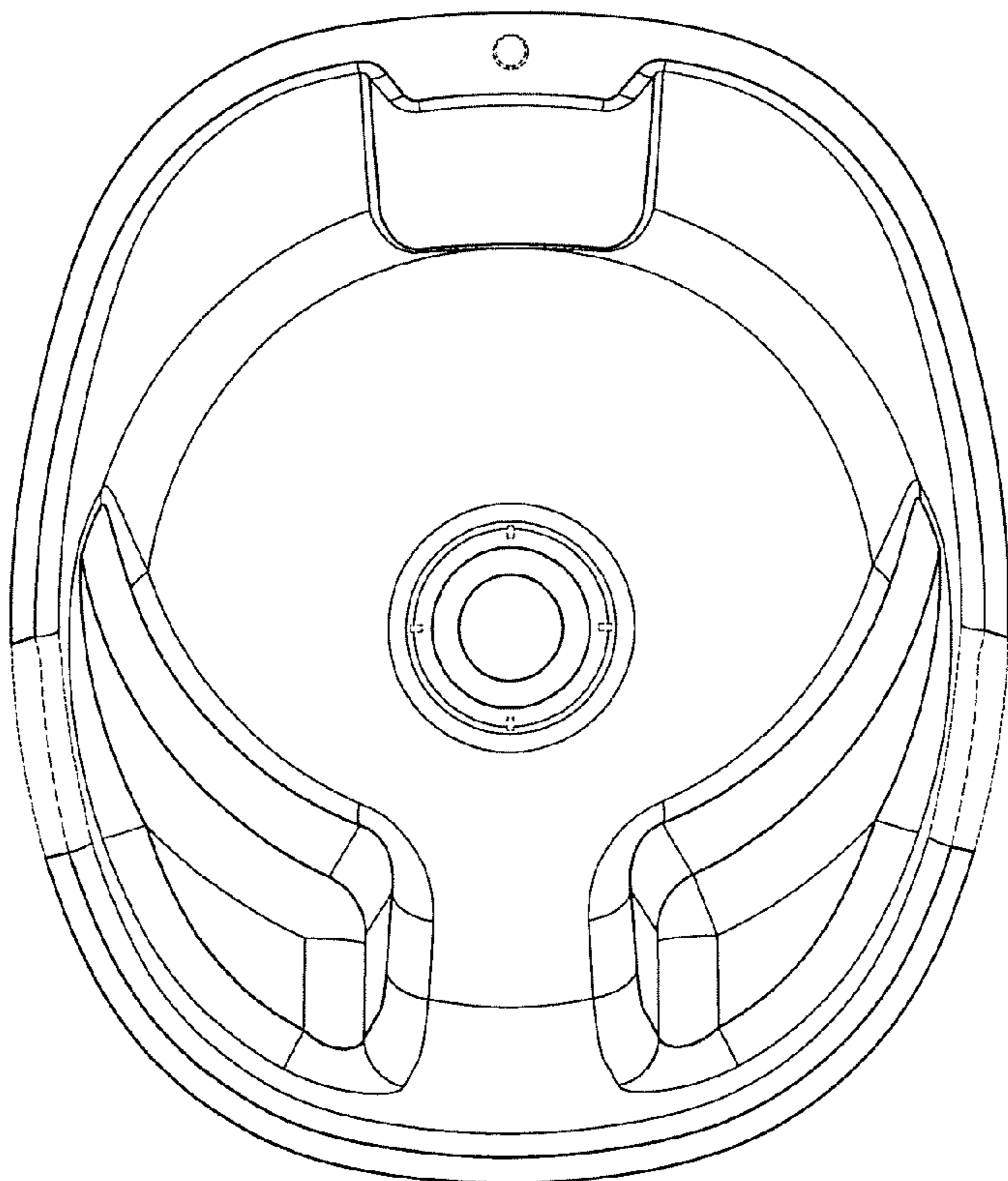


Fig. 5.