



US00D555438S

(12) **United States Design Patent**  
**Schreiber-Pethan et al.**

(10) **Patent No.:** **US D555,438 S**  
(45) **Date of Patent:** **\*\* Nov. 20, 2007**

(54) **UTENSIL**

D520,295 S 5/2006 Schreiber-Pethan et al.

(75) Inventors: **Rebecca Schreiber-Pethan**, Sheboygan, WI (US); **David M. Wasserman**, Whitefish Bay, WI (US)

(73) Assignee: **The Vollrath Company, L.L.C.**, Sheboygan, WI (US)

(\*\*) Term: **14 Years**

(21) Appl. No.: **29/266,011**

(22) Filed: **Sep. 13, 2006**

(51) **LOC (8) Cl.** ..... **07-02**

(52) **U.S. Cl.** ..... **D7/691; D7/681**

(58) **Field of Classification Search** ..... D7/681,  
D7/691, 692; D10/46.2, 46.3; 425/276–286;  
294/1.1, 55; 30/324–328

See application file for complete search history.

(56) **References Cited**

**U.S. PATENT DOCUMENTS**

780,492 A *	1/1905	Boutelle .....	30/324
D153,674 S *	5/1949	Erker .....	30/324
4,616,867 A *	10/1986	O'Hara .....	294/55
D326,033 S	5/1992	Friederichs	
5,326,248 A	7/1994	Thuecks et al.	
D425,381 S *	5/2000	Denham et al. ....	D7/691
D486,041 S	2/2004	Siehr et al.	
D486,354 S	2/2004	Bratton et al.	
D486,359 S	2/2004	Siehr et al.	

**OTHER PUBLICATIONS**

Vollrath, Smallwares & Light Equipment 2006-2007, front cover, X, 3-2 through 3-19, back cover.

\* cited by examiner

*Primary Examiner*—Terry A Wallace

(74) *Attorney, Agent, or Firm*—Foley & Lardner LLP

(57) **CLAIM**

We claim the ornamental design for a utensil, as shown and described.

**DESCRIPTION**

FIG. 1 is a perspective view of the claimed design;

FIG. 2 is a top view of the claimed design;

FIG. 3 is a left side view of the claimed design;

FIG. 4 is a right side view of the claimed design;

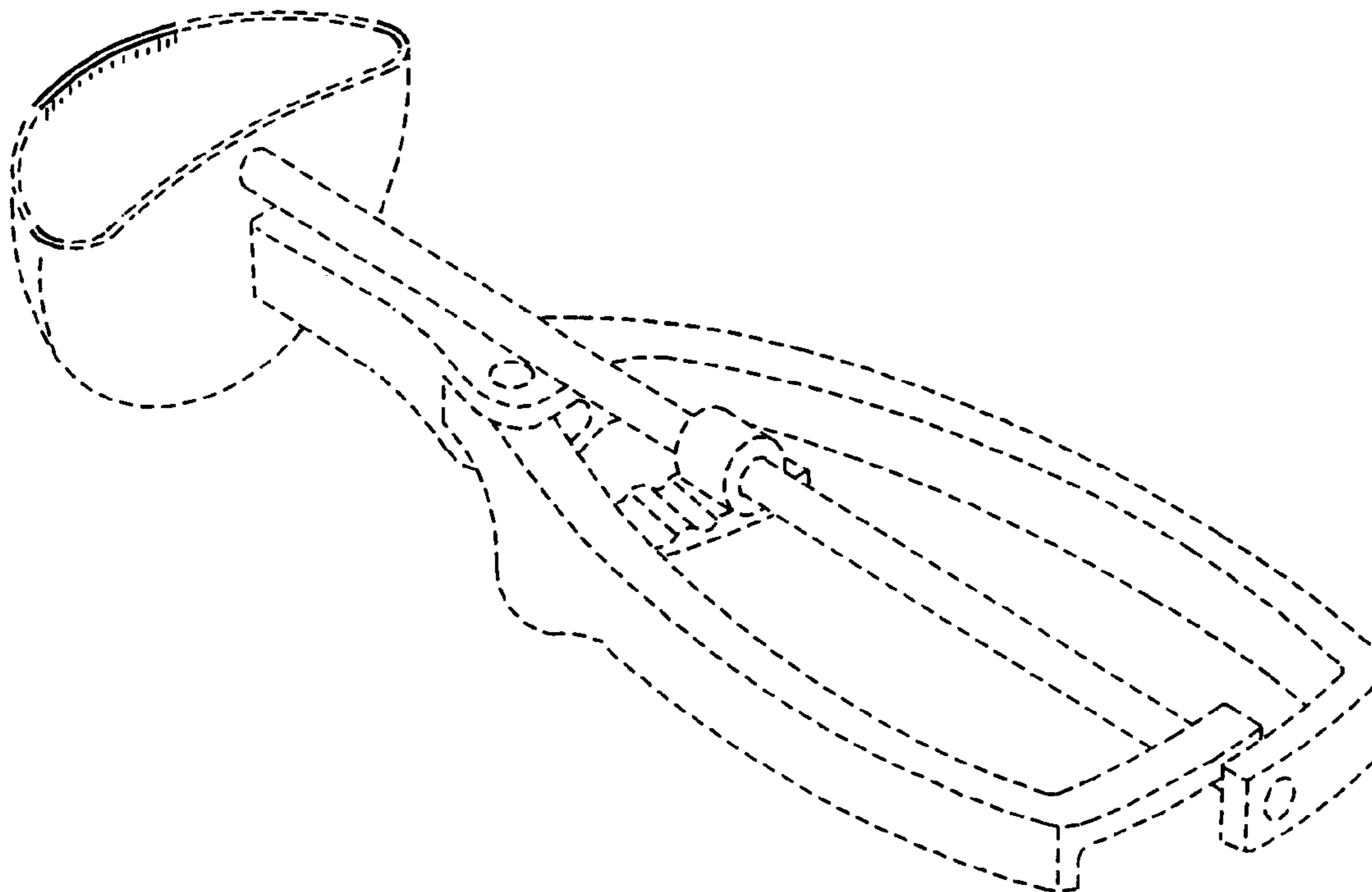
FIG. 5 is a bottom view of the claimed design;

FIG. 6 is a front view of the claimed design; and,

FIG. 7 is a cross-section view thereof taken along line 7—7 of FIG. 2.

The ornamental design which is claimed is shown in solid lines in the drawings. The broken lines in the drawings are for illustrative purposes only and form no part of the claimed design.

**1 Claim, 4 Drawing Sheets**



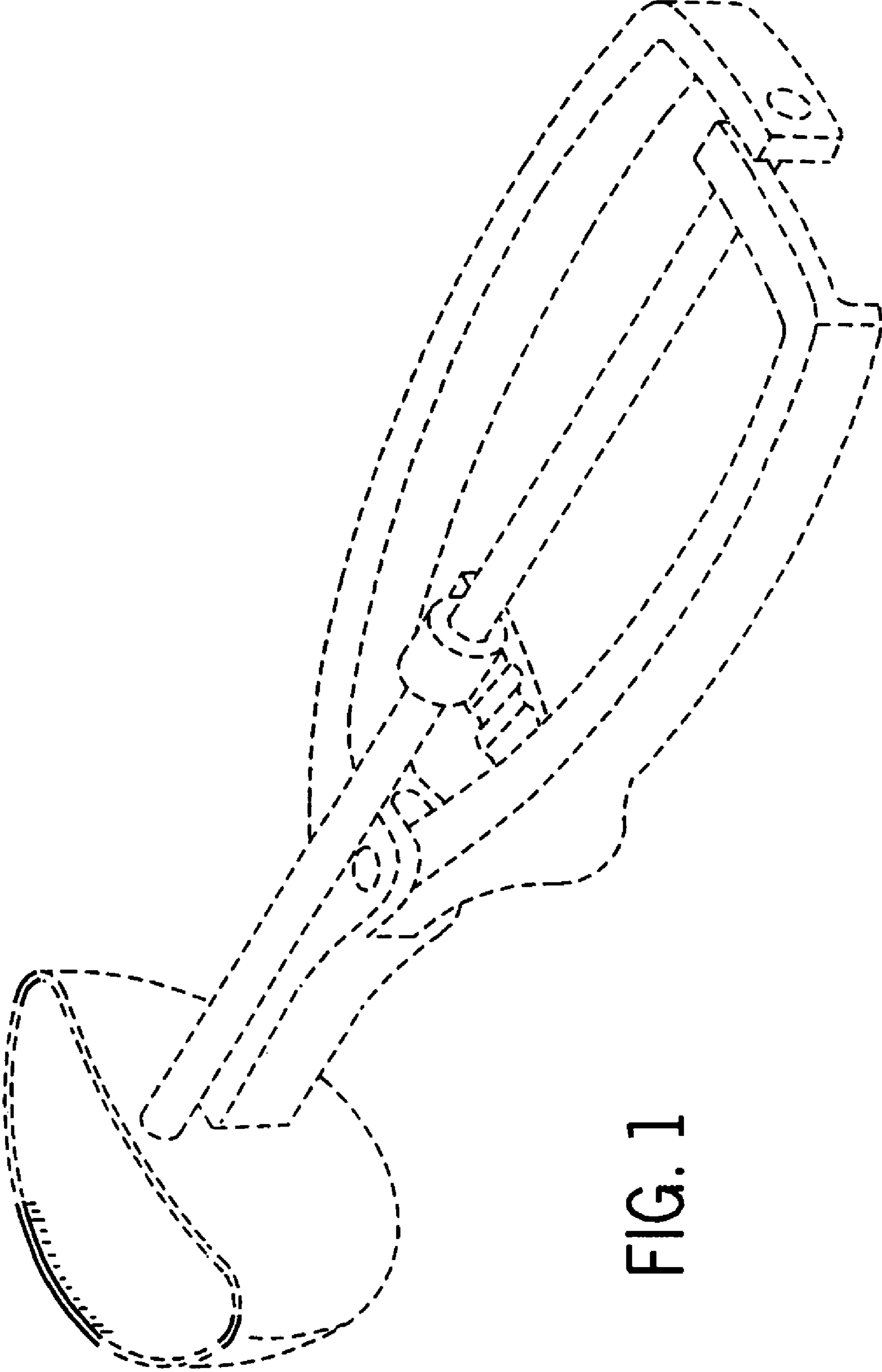


FIG. 1

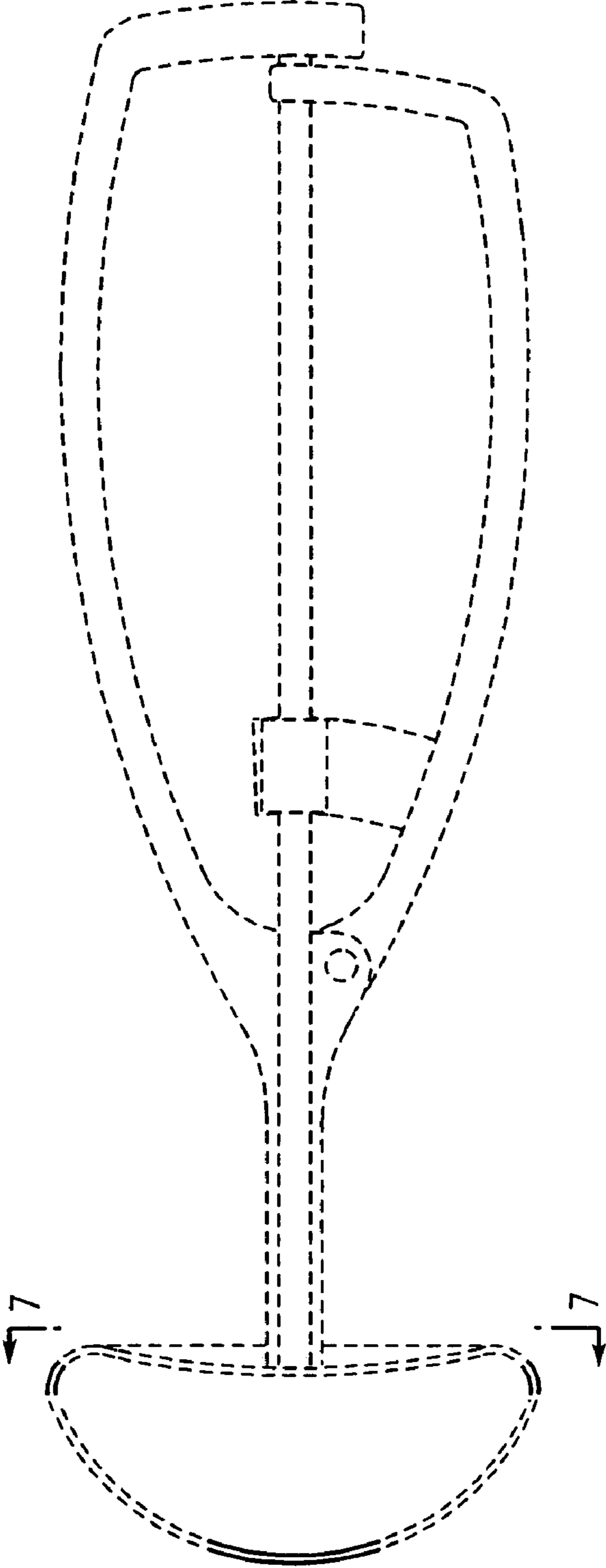


FIG. 2

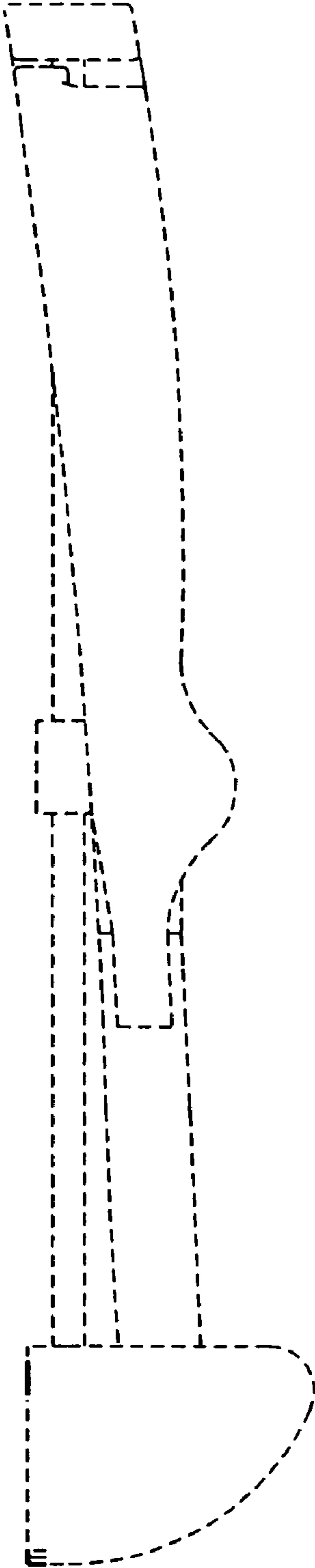


FIG. 3

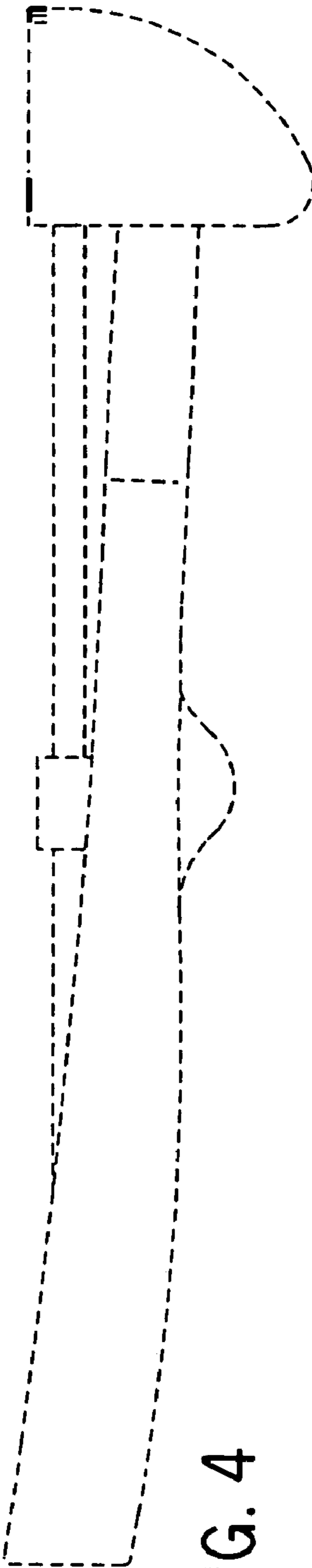


FIG. 4

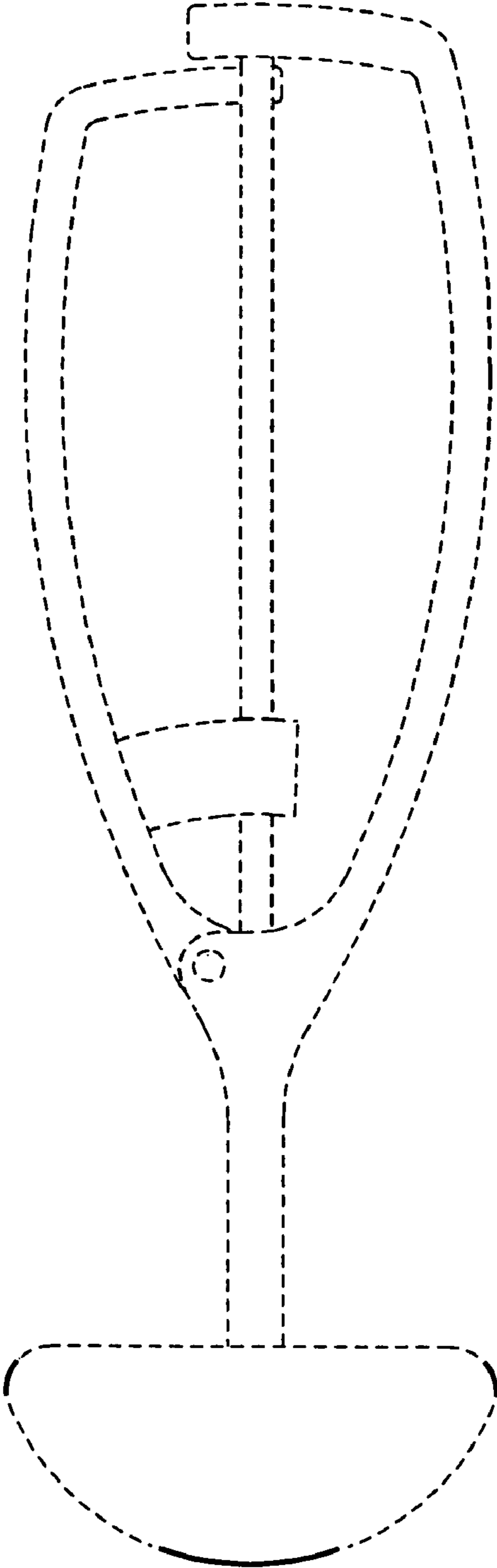


FIG. 5

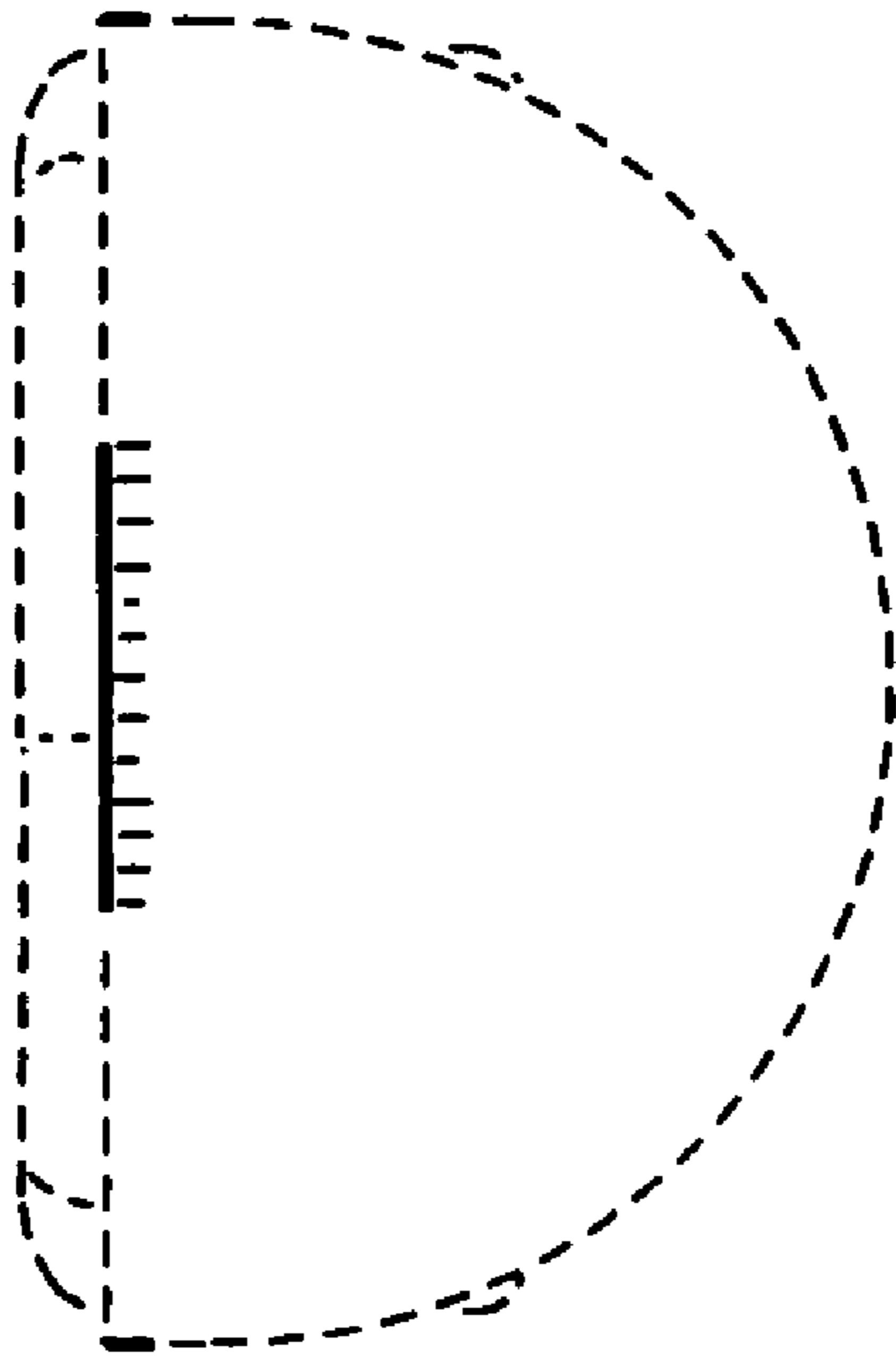


FIG. 6

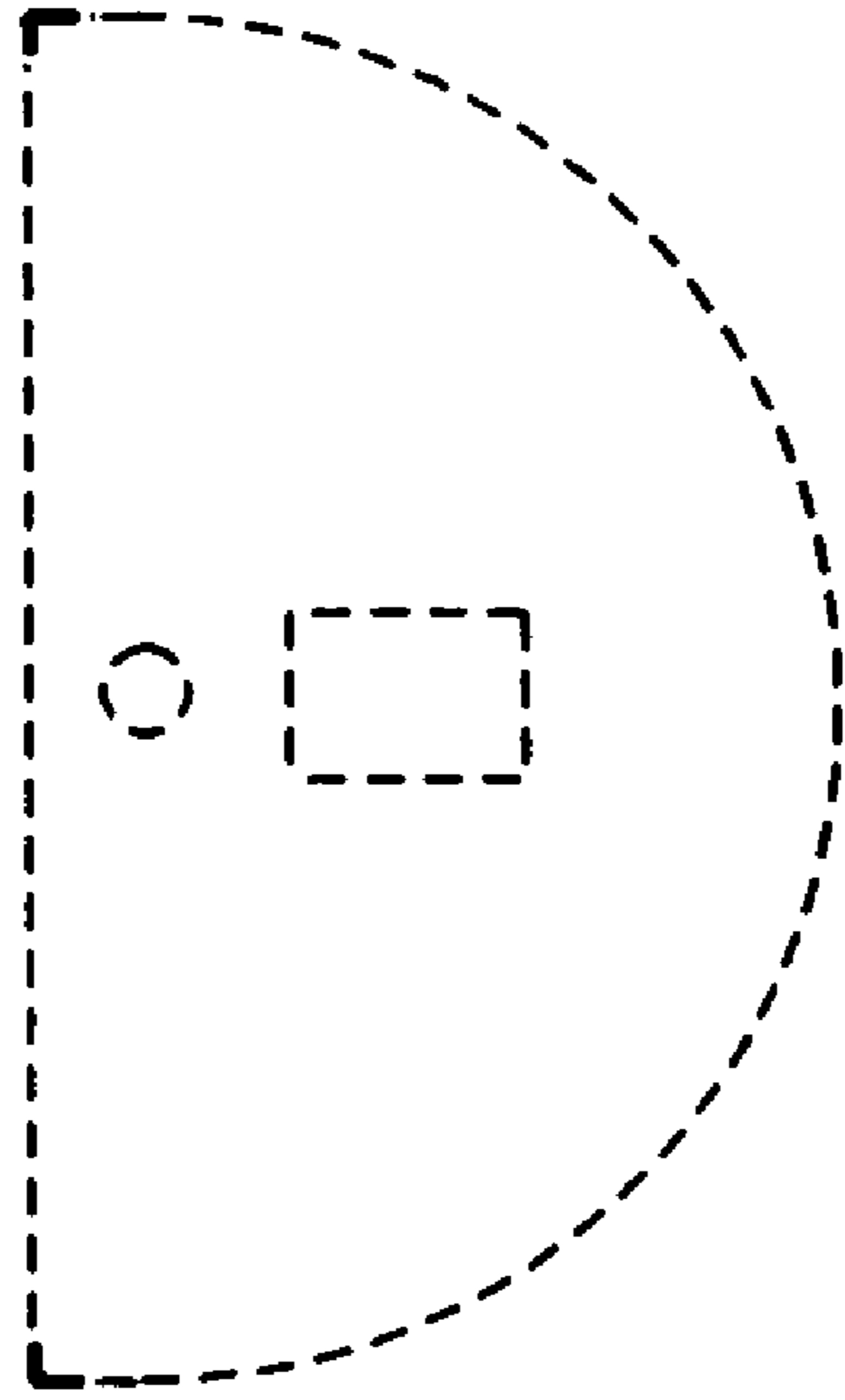


FIG. 7