

US00D555434S

(12) **United States Design Patent**
Cohen et al.

(10) **Patent No.:** **US D555,434 S**

(45) **Date of Patent:** **** Nov. 20, 2007**

(54) **JUICE EXTRACTOR APPLIANCE**

D439,808 S * 4/2001 McClean et al. D7/665

6,412,404 B1 * 7/2002 Hsu 99/495

(75) Inventors: **Eli Cohen**, Lev HaSharon (IL); **Ann Grant**, New York, NY (US)

6,543,340 B1 * 4/2003 Fouquet 99/511

6,609,455 B2 * 8/2003 Fouquet 99/511

(73) Assignee: **ACC Trade Ltd.**, New York, NY (US)

* cited by examiner

(**) Term: **14 Years**

Primary Examiner—Terry A. Wallace

(21) Appl. No.: **29/256,602**

(57) **CLAIM**

(22) Filed: **Mar. 23, 2006**

The ornamental design of a juice extractor appliance, as shown.

Related U.S. Application Data

DESCRIPTION

(63) Continuation-in-part of application No. 29/239,552, filed on Oct. 3, 2005, now Pat. No. Des. 526,540.

(51) **LOC (8) Cl.** **31-00**

FIG. 1 is a perspective view, generally from the front, of a juice extractor appliance showing our new design;

(52) **U.S. Cl.** **D7/665**

FIG. 2 is a perspective view, generally from the rear thereof;

(58) **Field of Classification Search** D7/665,
D7/666, 373, 374, 381, 384; 99/501–513,
99/495, 499, 348, 357; 241/36, 37.5, 92,
241/100, 282.1

FIG. 3 is an elevational view, from one side thereof;

FIG. 4 is an elevational view, from the opposite side thereof;

See application file for complete search history.

FIG. 5 is a front view thereof;

FIG. 6 is a rear view thereof;

(56) **References Cited**

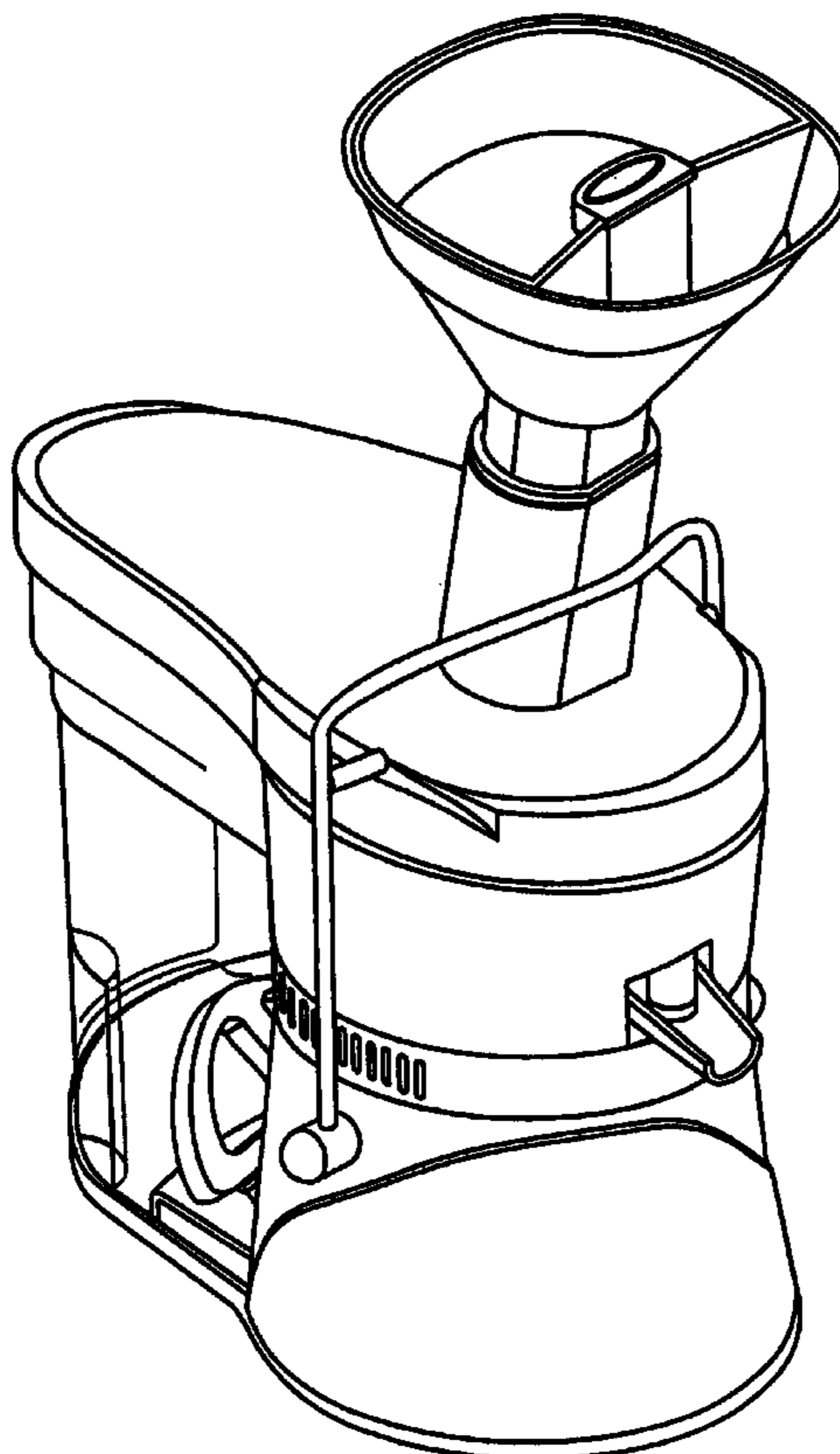
FIG. 7 is a top plan view thereof; and,

FIG. 8 is a bottom plan view thereof.

U.S. PATENT DOCUMENTS

6,058,833 A * 5/2000 Ling et al. 99/510

1 Claim, 7 Drawing Sheets



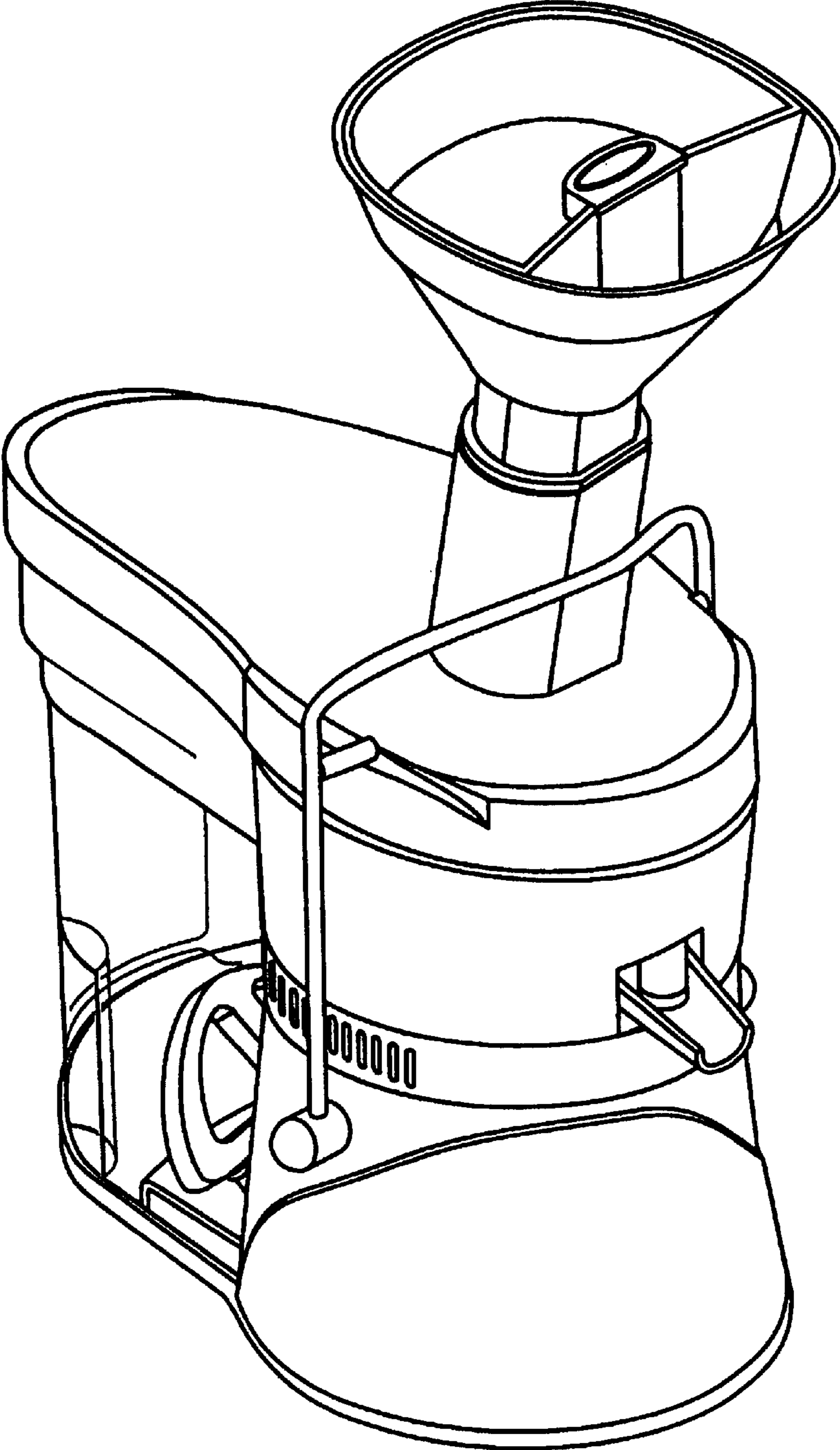


Fig. 1

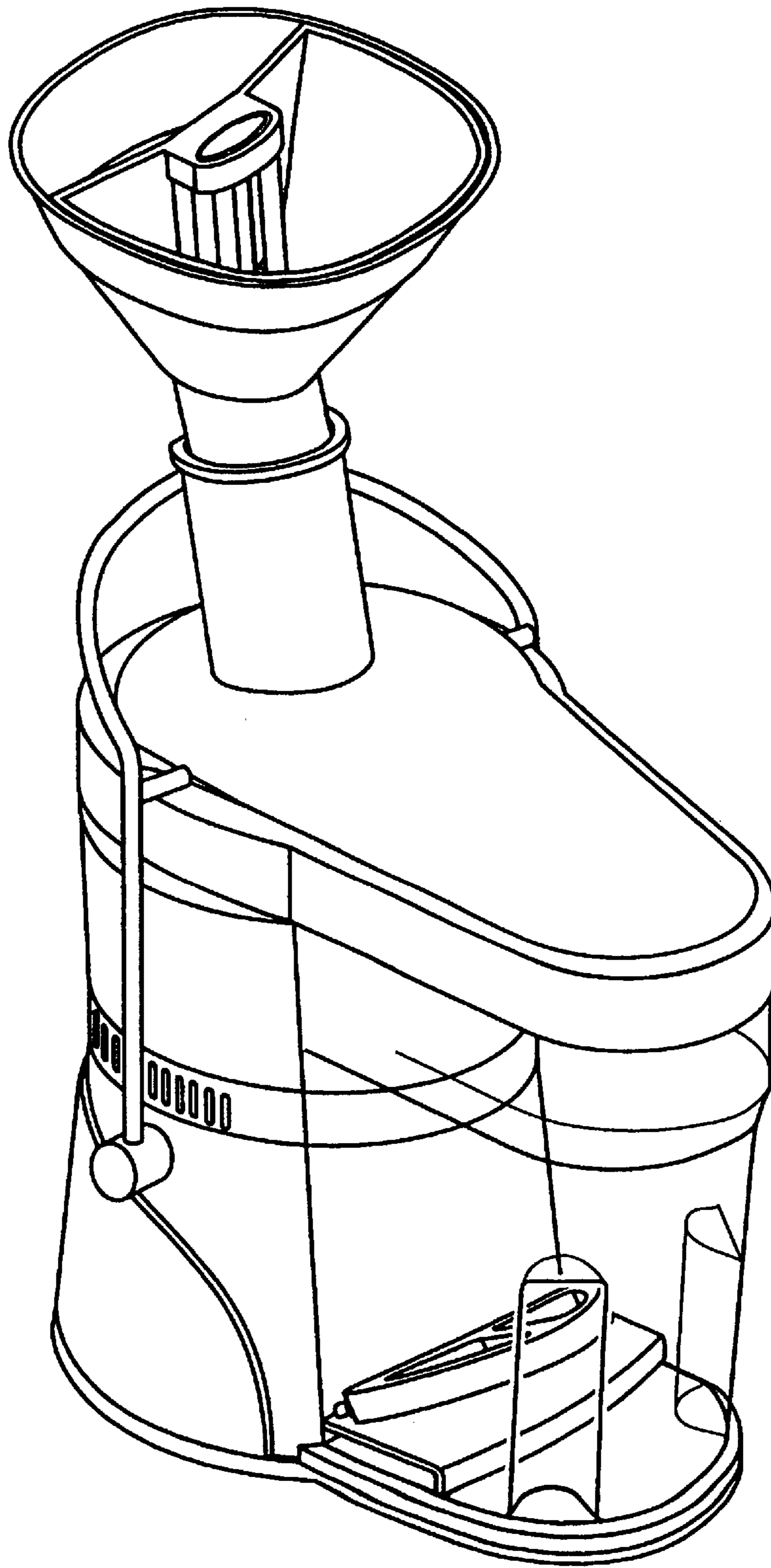


Fig. 2

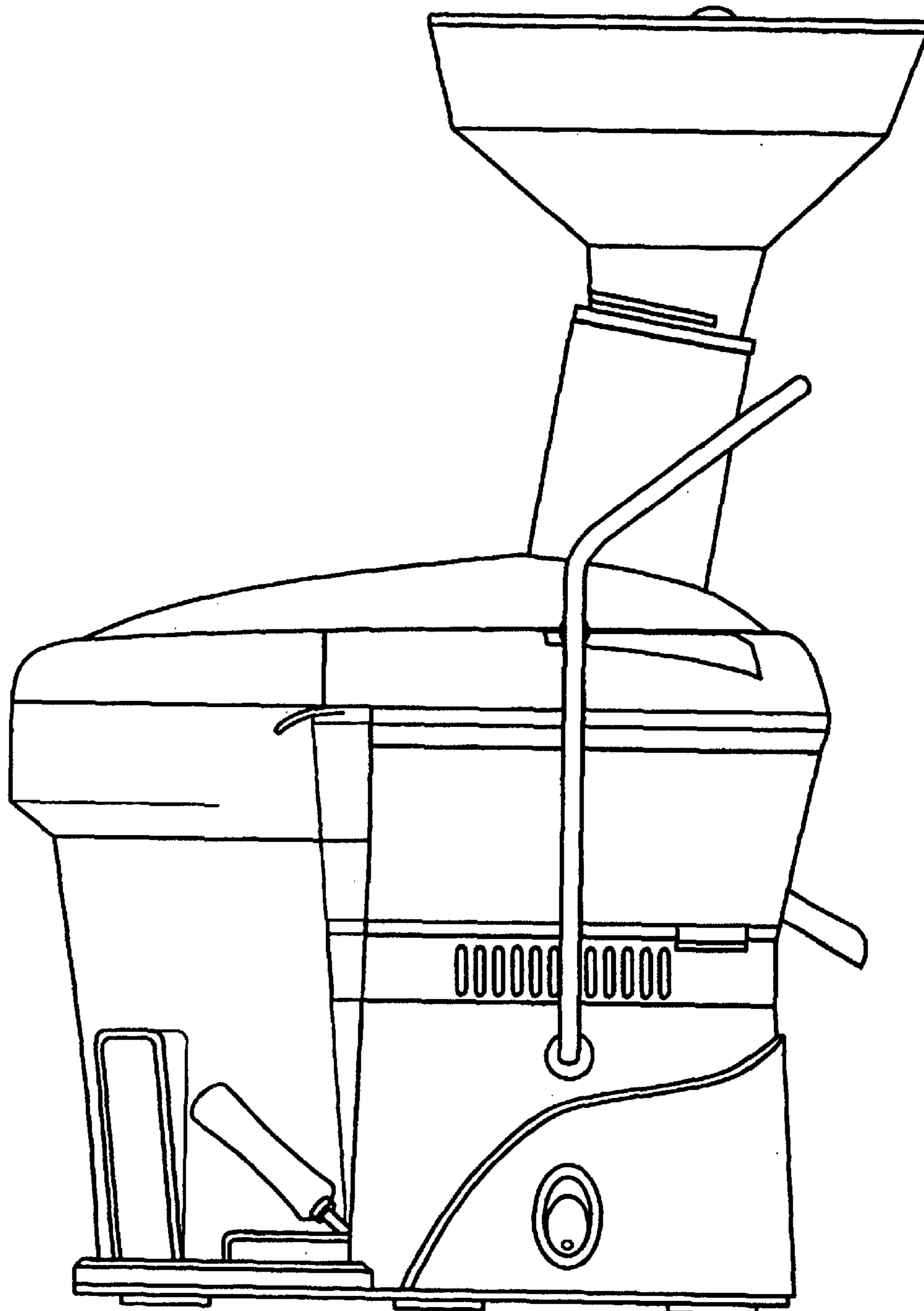


Fig. 3

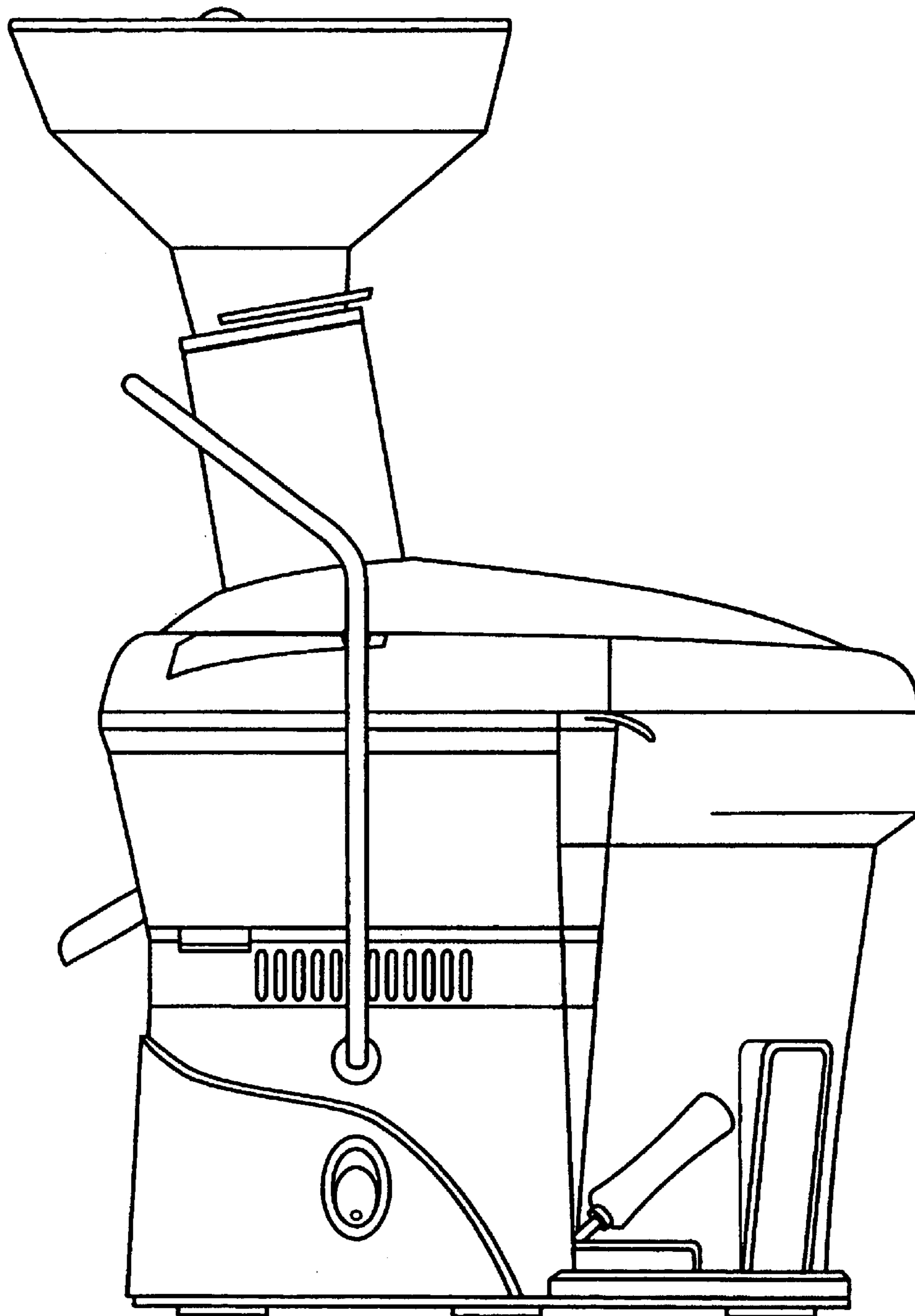


Fig. 4

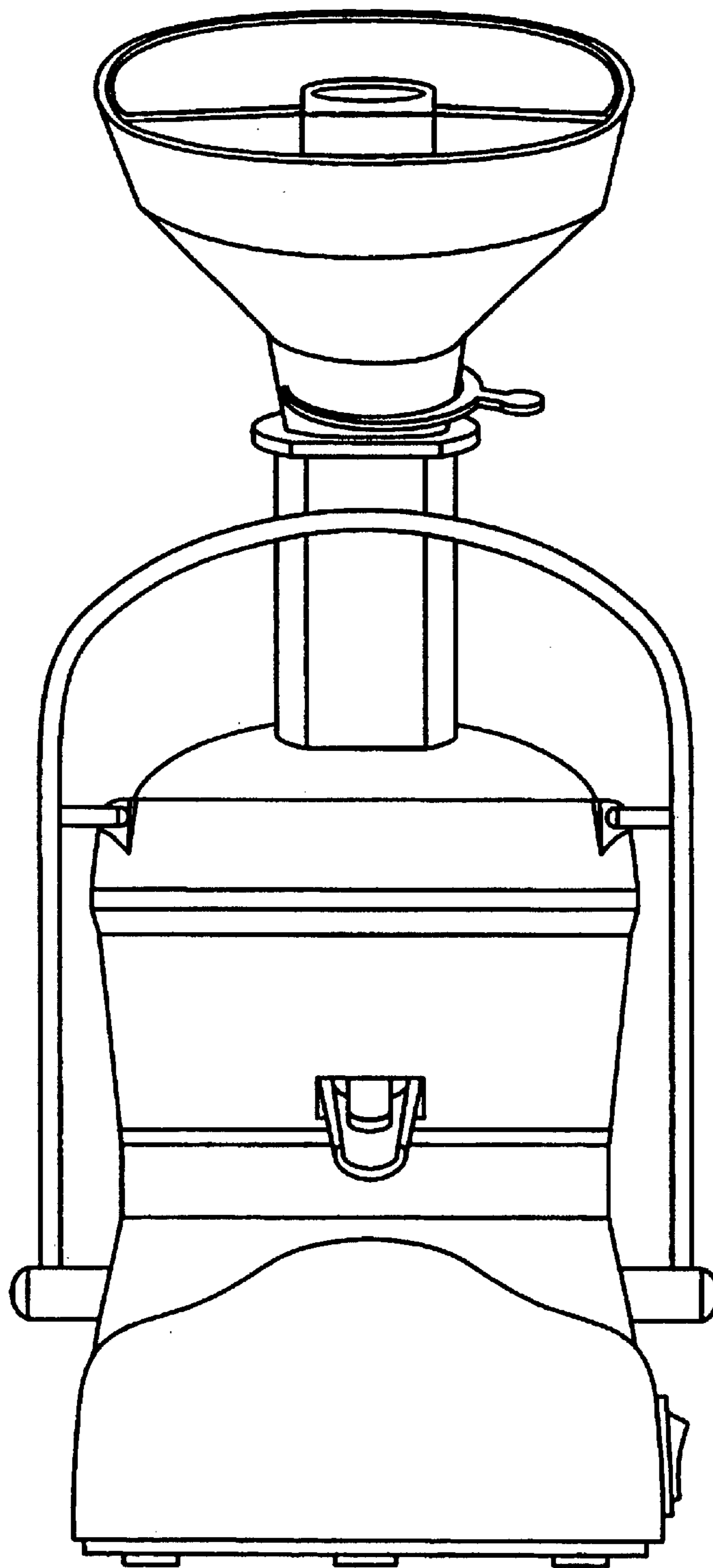


Fig. 5

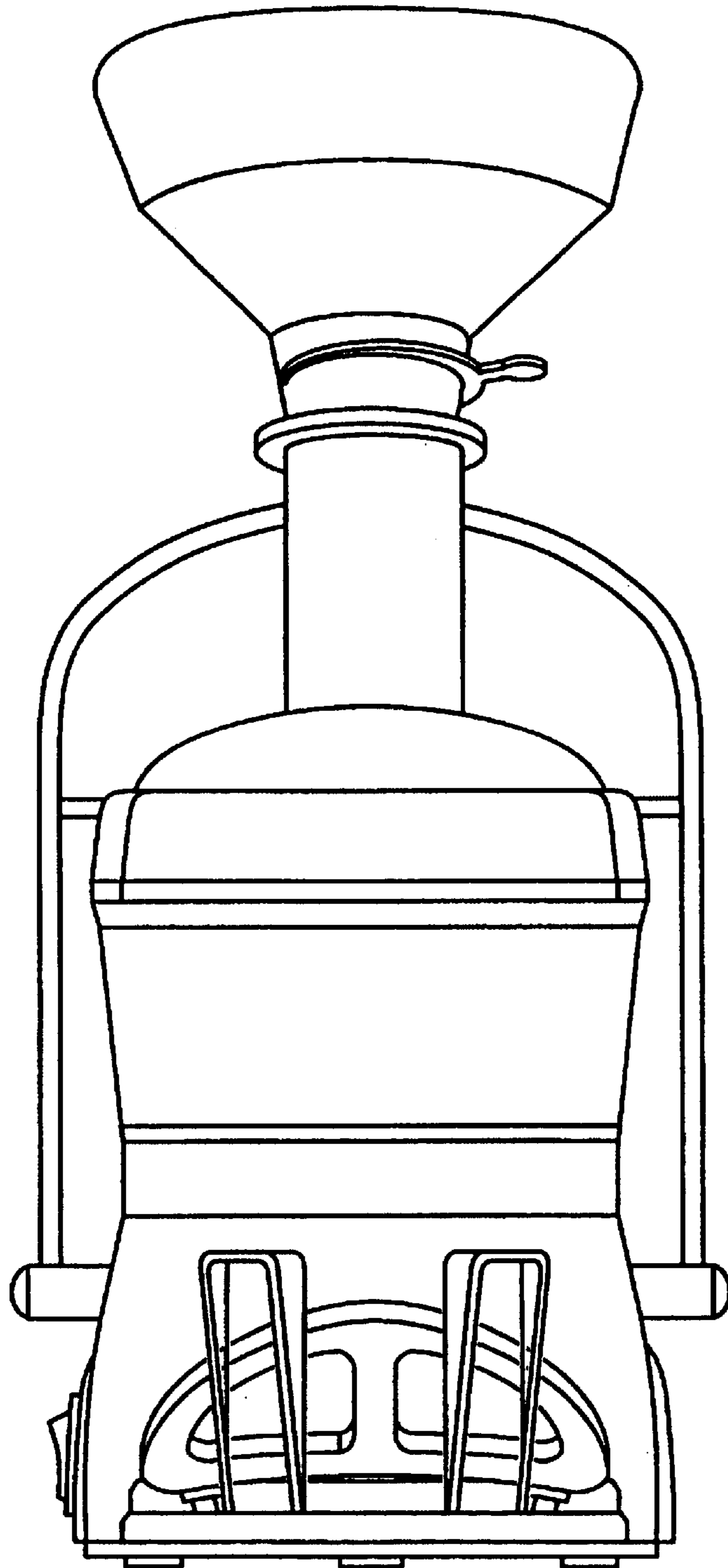


Fig. 6

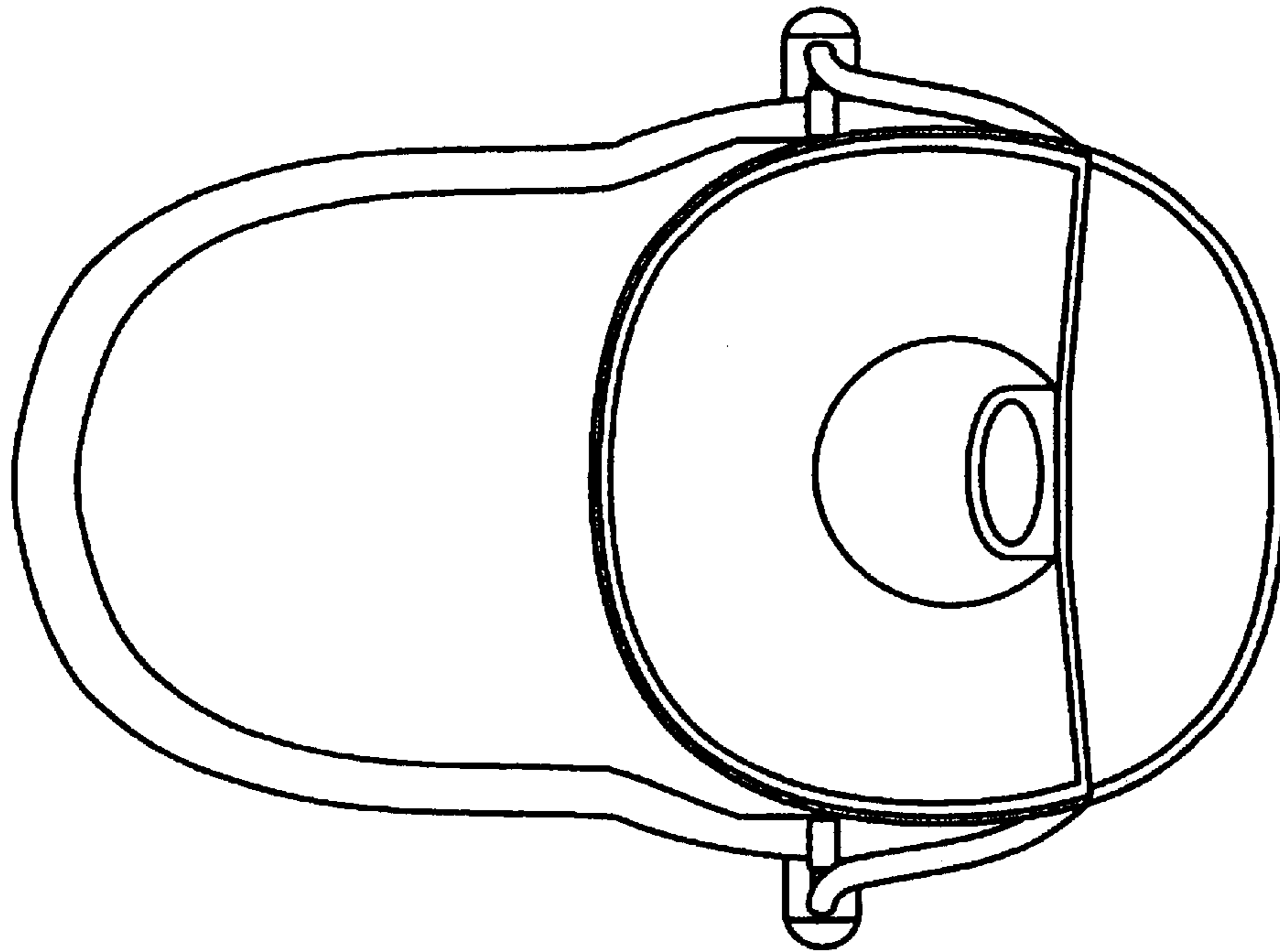


Fig. 7

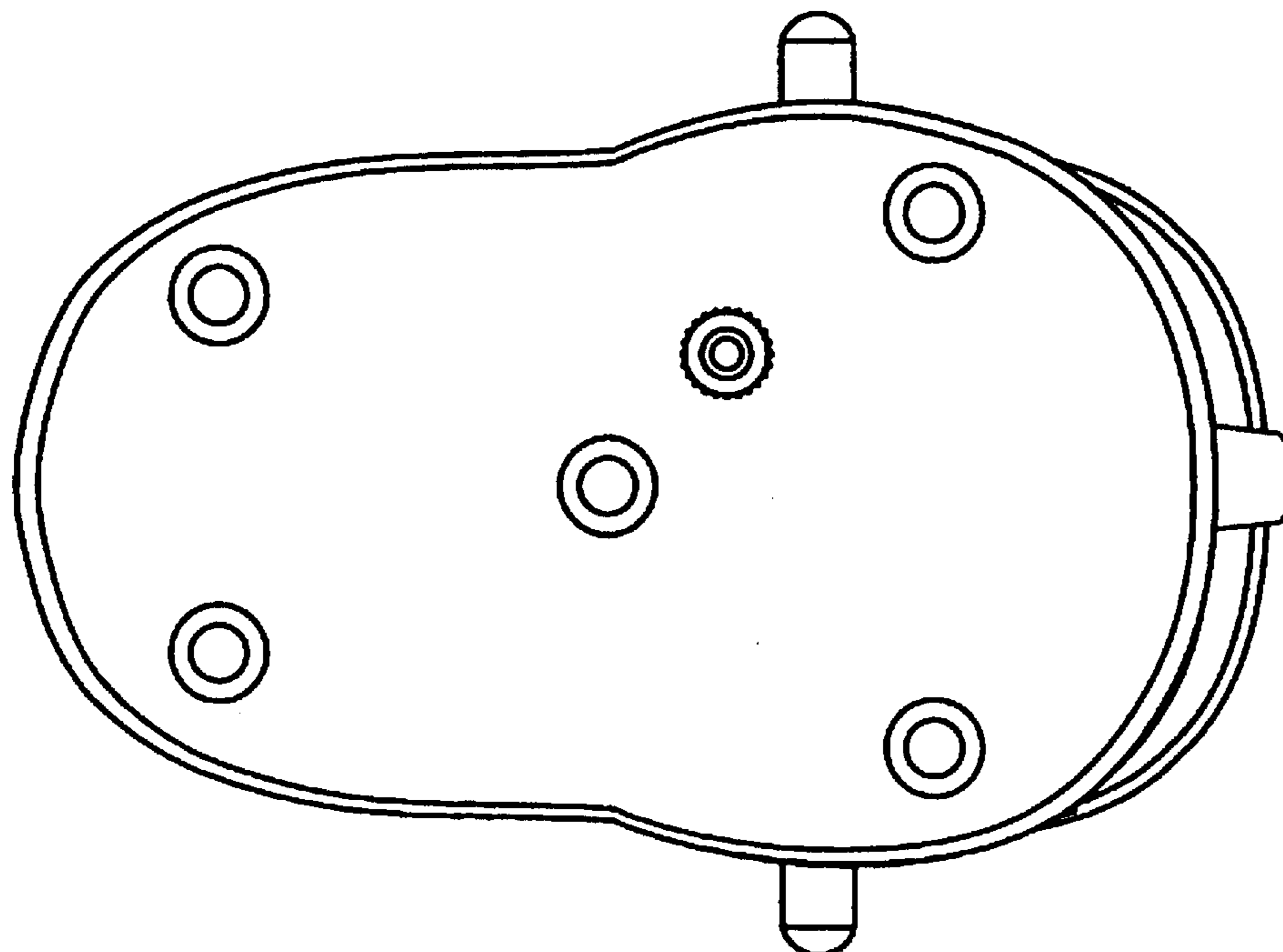


Fig. 8