



US00D555428S

(12) **United States Design Patent**
Tulett

(10) **Patent No.:** **US D555,428 S**

(45) **Date of Patent:** **** Nov. 20, 2007**

(54) **NON-SPILL CUP**

(75) Inventor: **Graham Tulett**, London (GB)

(73) Assignee: **Avent Limited** (GB)

(**) Term: **14 Years**

(21) Appl. No.: **29/238,175**

(22) Filed: **Sep. 12, 2005**

(30) **Foreign Application Priority Data**

Mar. 11, 2005 (EM) 000311030-0001

(51) **LOC (8) Cl.** **07-01**

(52) **U.S. Cl.** **D7/510; D7/511**

(58) **Field of Classification Search** D9/571,
D9/560, 502-504, 523, 525, 556, 557, 565,
D9/446, 447; D7/510, 511, 509, 900, 605,
D7/612; 220/254.3, 792, 603; 215/388;
222/153.06, 153.07, 211; D24/197

See application file for complete search history.

(56) **References Cited**

U.S. PATENT DOCUMENTS

- D339,503 S * 9/1993 Callaway D7/510
- D361,922 S * 9/1995 Van Dyk D7/510
- D387,171 S * 12/1997 Johnson D24/197
- D391,448 S * 3/1998 Winer et al. D7/510
- D417,591 S * 12/1999 Roehrig D7/510
- D421,547 S * 3/2000 Demers D7/510
- D442,435 S * 5/2001 Takagi D7/510
- D459,155 S * 6/2002 Atkin et al. D7/510
- D476,849 S * 7/2003 Randolph D7/510
- D478,779 S * 8/2003 Stamper et al. D7/510

- D501,361 S * 2/2005 Tollman D7/510
- D510,235 S * 10/2005 Sorensen D7/510
- D510,270 S * 10/2005 Khalifa D9/503
- D512,875 S * 12/2005 Maldonado D7/510

* cited by examiner

Primary Examiner—M. N. Pandozzi

(57) **CLAIM**

The ornamental design for a non-spill cup, as shown and described.

DESCRIPTION

FIG. 1 is a front perspective view of a non-spill cup in closed condition showing my new design;

FIG. 2 is a rear perspective view of the non-spill cup of FIG. 1, shown in the closed condition;

FIG. 3 is a left side elevational view of the non-spill cup of FIGS. 1 and 2, shown in the closed condition, the right side elevational view being a mirror image of the left side elevational view;

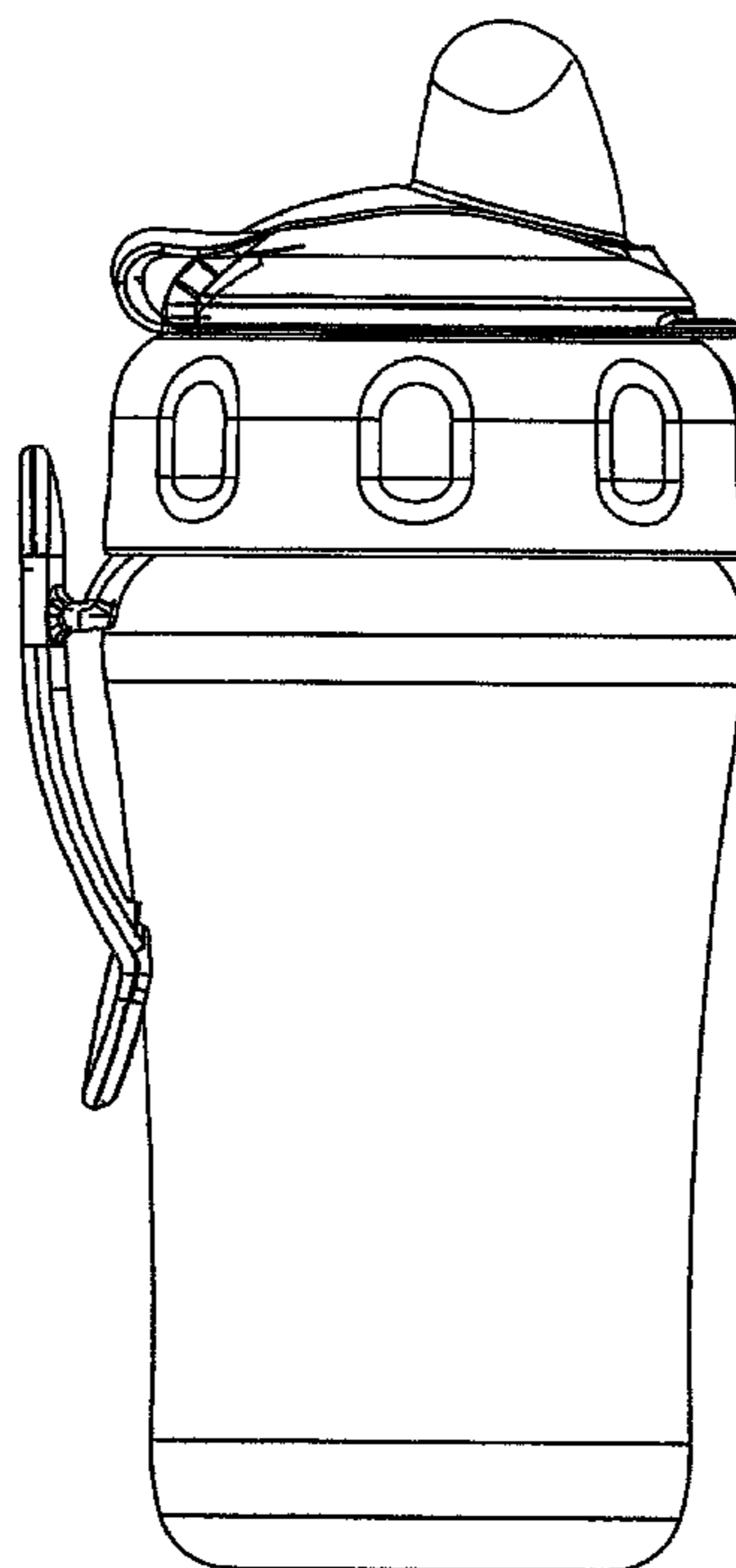
FIG. 4 is a rear elevational view of the non-spill cup of FIGS. 1-3, shown in the closed condition;

FIG. 5 is a top plan view of the non-spill cup of FIGS. 1-4, shown in the closed condition;

FIG. 6 is a bottom plan view of the non-spill cup of FIGS. 1-5; and,

FIG. 7 right side elevational view of the non-spill cup of FIGS. 1-6, shown in an open condition, the left side elevational view being a mirror image of the right side elevational view.

1 Claim, 6 Drawing Sheets



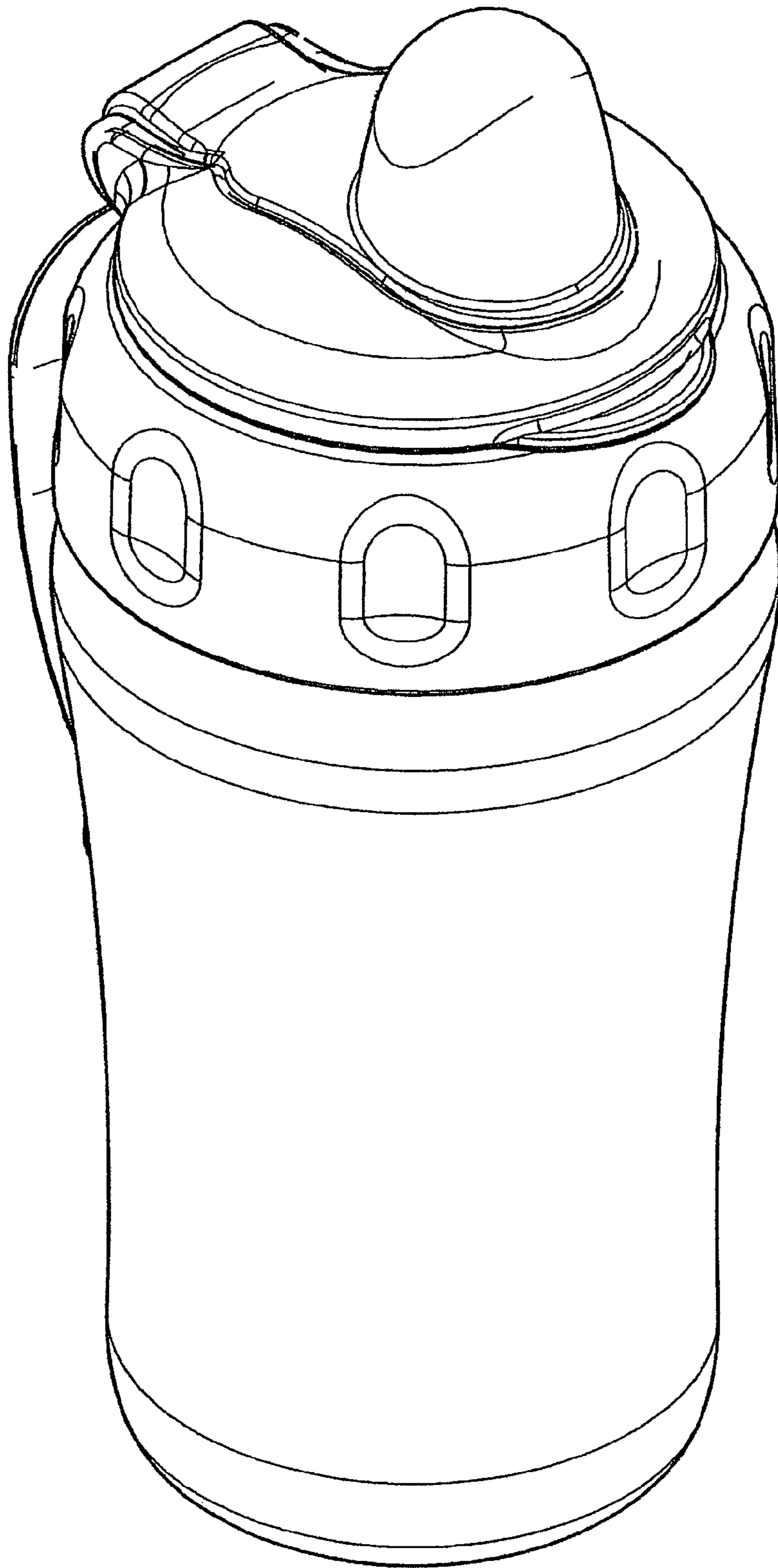


FIG. 1

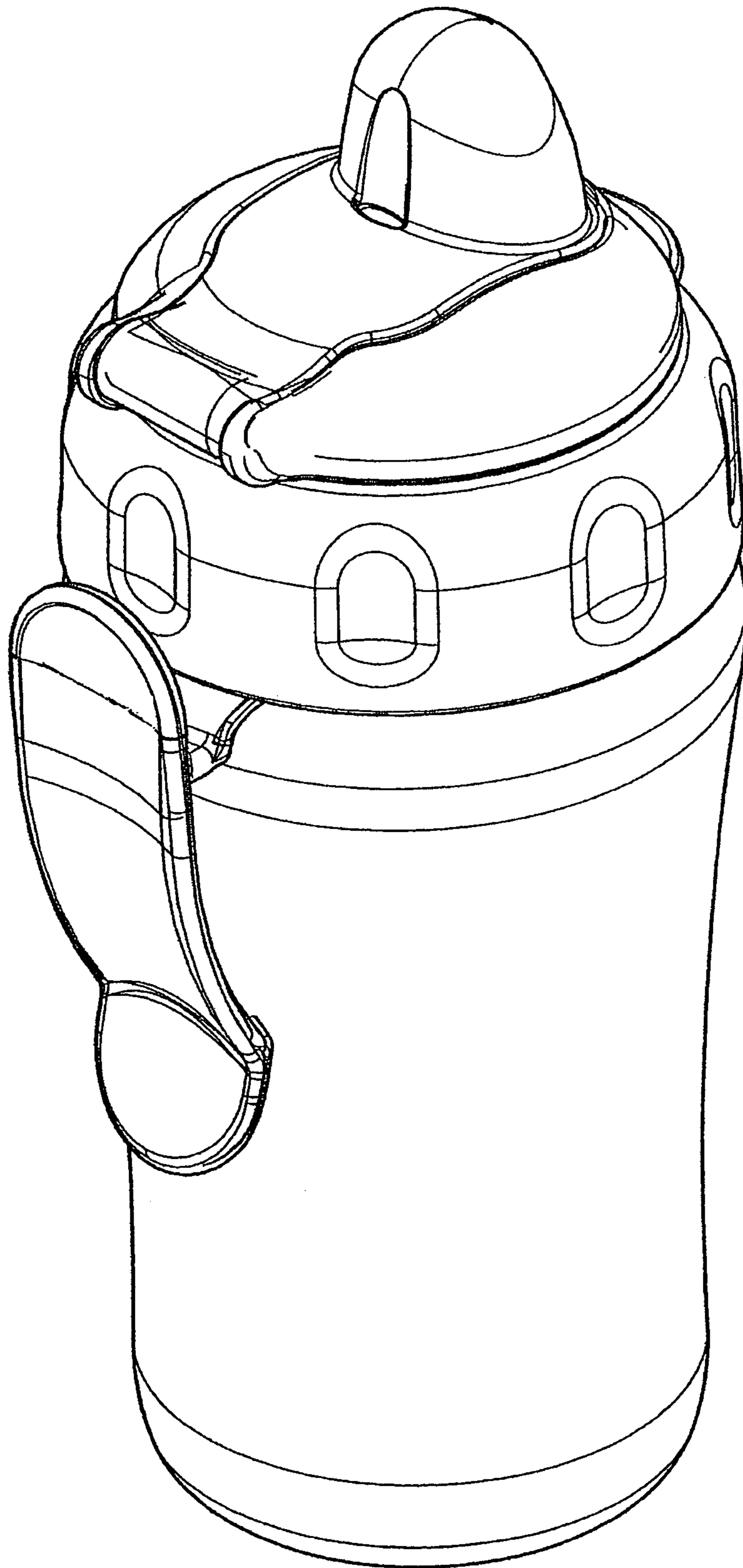


FIG. 2

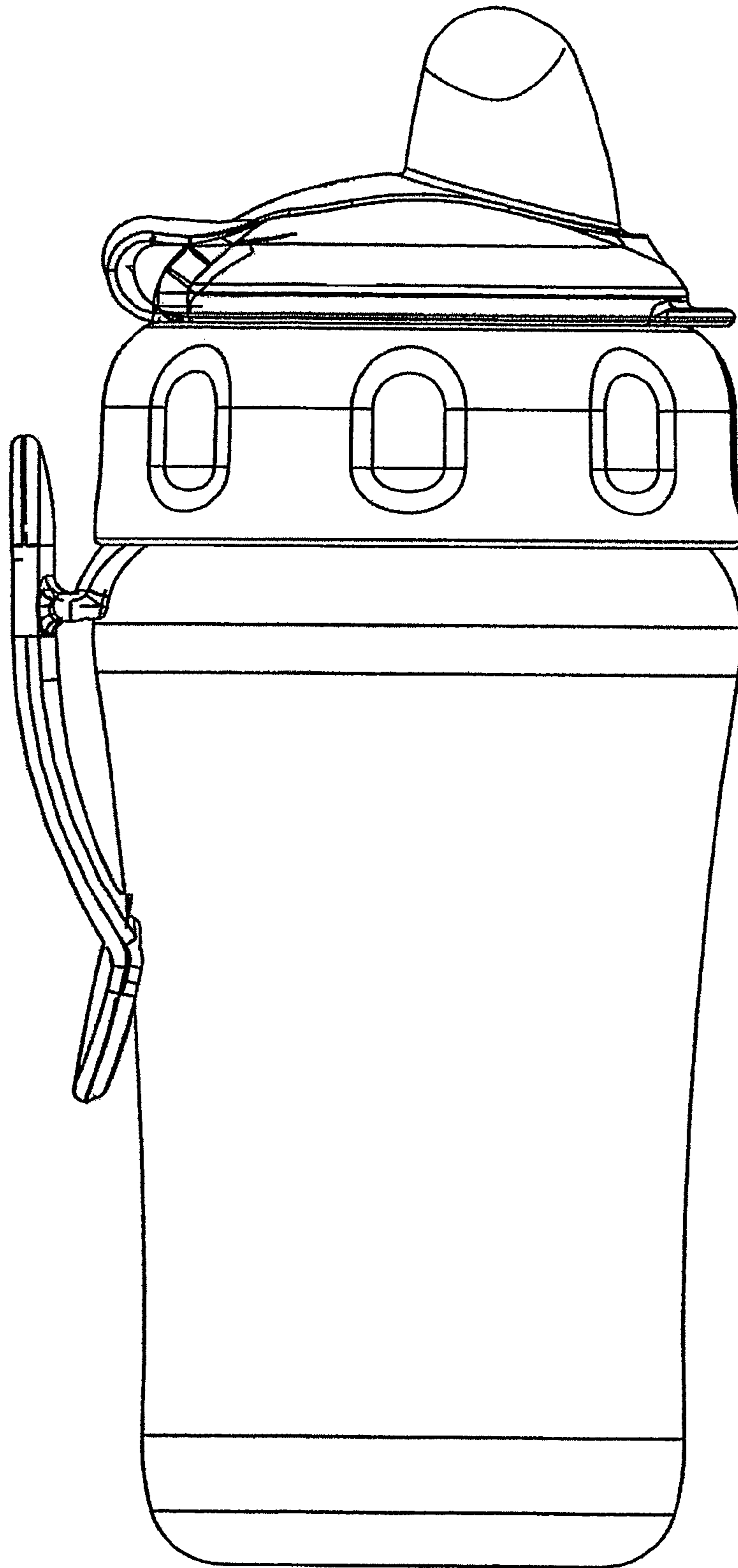


FIG. 3

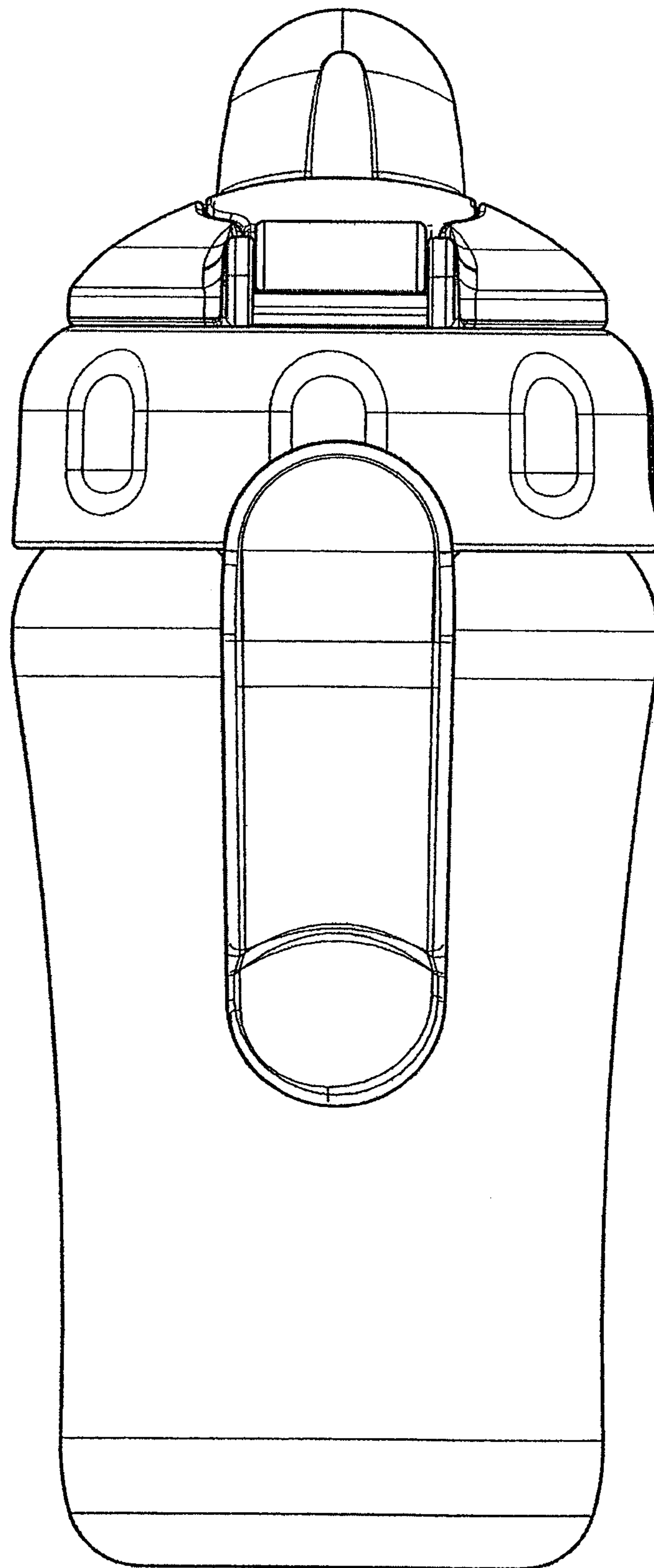


FIG. 4

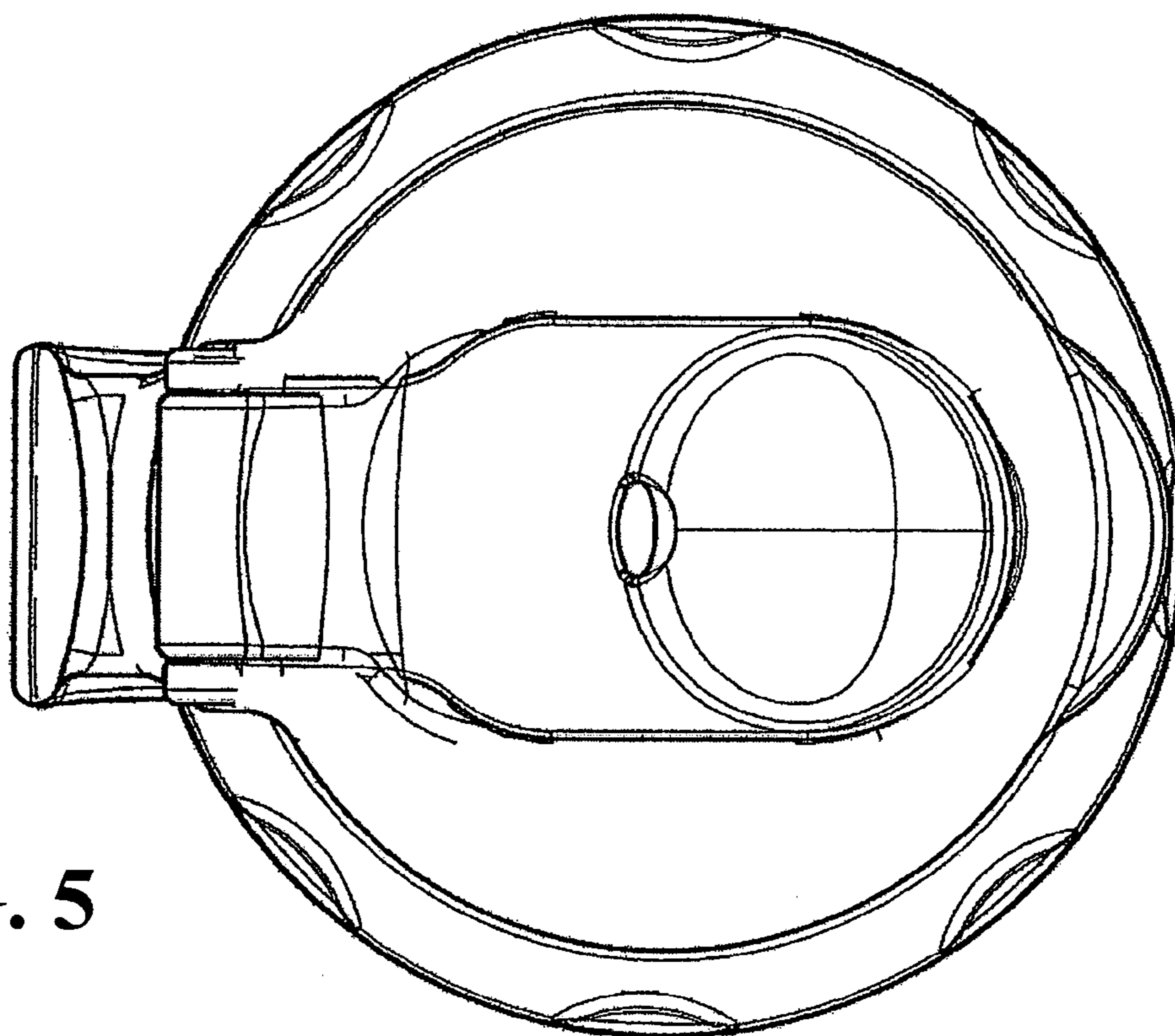


FIG. 5

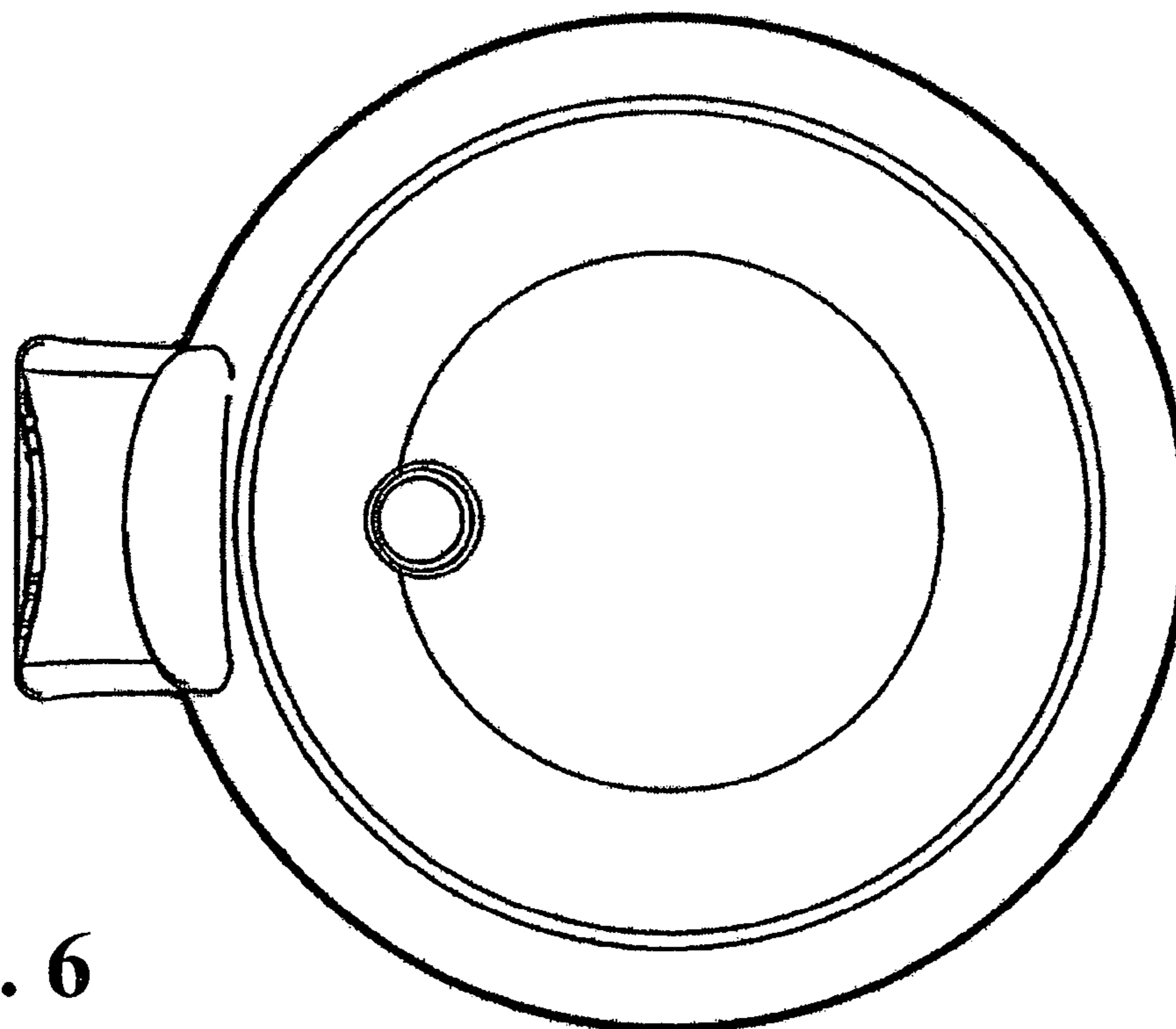


FIG. 6

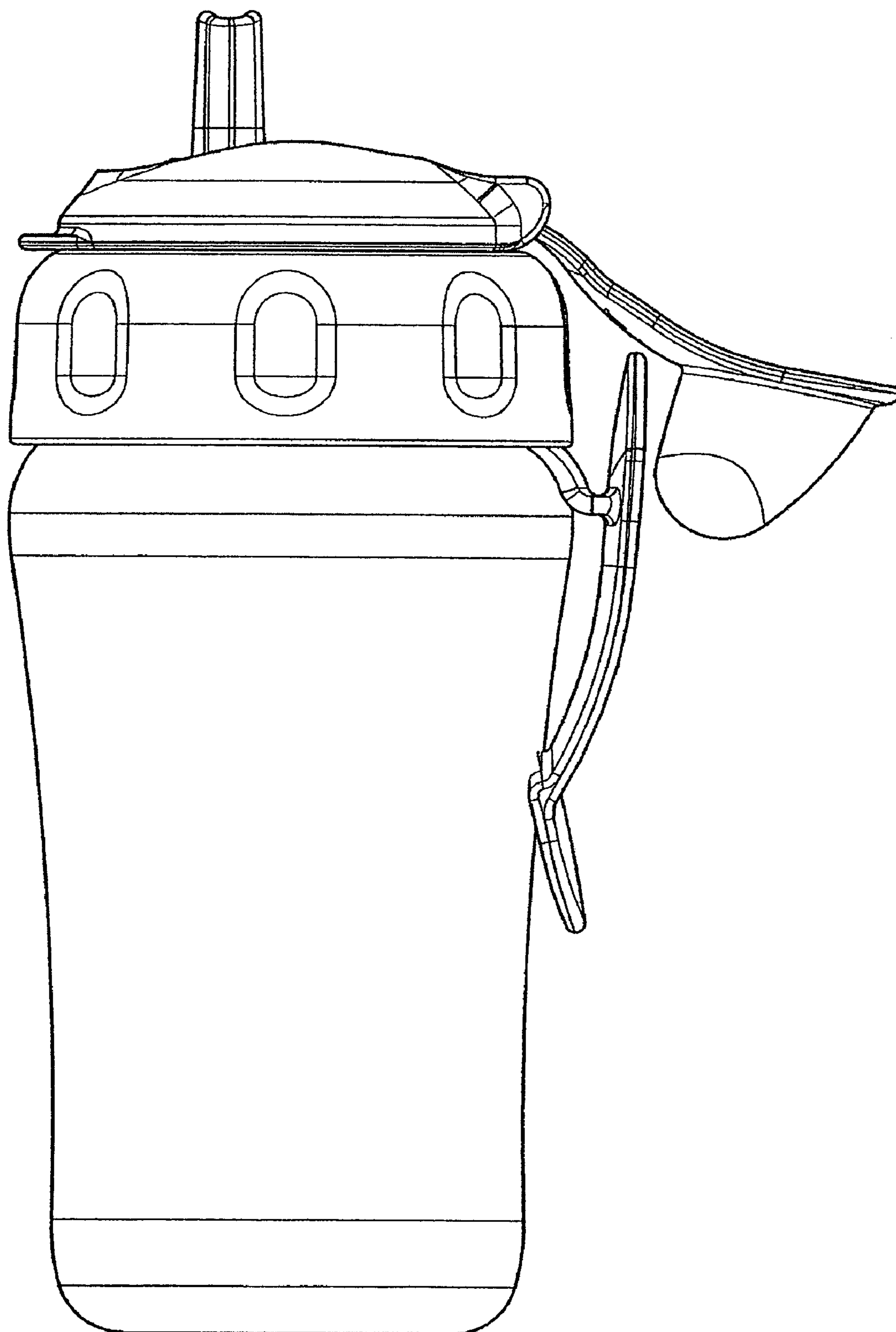


FIG. 7