



US00D555427S

(12) **United States Design Patent**  
**Picozza et al.**

(10) **Patent No.:** **US D555,427 S**

(45) **Date of Patent:** **\*\* Nov. 20, 2007**

(54) **FOOD PROCESSING CONTAINER**

(75) Inventors: **Augusto Picozza**, Boca Raton, FL  
(US); **Brooks Rorke**, Guilford, CT  
(US)

(73) Assignee: **Sunbeam Products, Inc.**, Boca Raton,  
FL (US)

(\*\*) Term: **14 Years**

(21) Appl. No.: **29/273,918**

(22) Filed: **Mar. 15, 2007**

(51) **LOC (8) Cl.** ..... **07-02**

(52) **U.S. Cl.** ..... **D7/412**

(58) **Field of Classification Search** ..... D7/318,  
D7/319, 354, 361, 368, 372, 376-386, 399,  
D7/412-414; D8/34; 99/337, 509-511,  
99/645; 241/30-37.5, 92, 93, 101.01-101.2,  
241/166-169.1, 273.2, 273.3, 274-278.2,  
241/285.1-285.3, 291, 292.1; 366/64-67,  
366/197-221, 241-254, 279-292, 314, 341-343  
See application file for complete search history.

(56) **References Cited**

**U.S. PATENT DOCUMENTS**

D321,455 S \* 11/1991 Duquaine et al. .... D7/361  
D360,556 S \* 7/1995 DeCoster ..... D7/318  
D365,492 S \* 12/1995 Rorke ..... D7/319  
D427,488 S \* 7/2000 Herbert ..... D7/413

D444,988 S \* 7/2001 Conran ..... D7/319  
D445,644 S \* 7/2001 Littmann ..... D7/412  
D447,003 S \* 8/2001 Feil ..... D7/412  
D454,025 S \* 3/2002 Kopczewski et al. .... D7/319  
D480,593 S \* 10/2003 Nybakke ..... D7/319  
D525,478 S \* 7/2006 Averty ..... D7/354  
D533,393 S \* 12/2006 Sidet et al. .... D7/354

\* cited by examiner

*Primary Examiner*—Mimosa De

*Assistant Examiner*—Ricky Pham

(74) *Attorney, Agent, or Firm*—Lawrence J. Shurupoff

(57) **CLAIM**

The ornamental design for a food processing container, as shown and described.

**DESCRIPTION**

FIG. 1 is a rear right top perspective view of the food processing container showing the new design;

FIG. 2 is a front elevational view thereof;

FIG. 3 is a right front elevational view thereof;

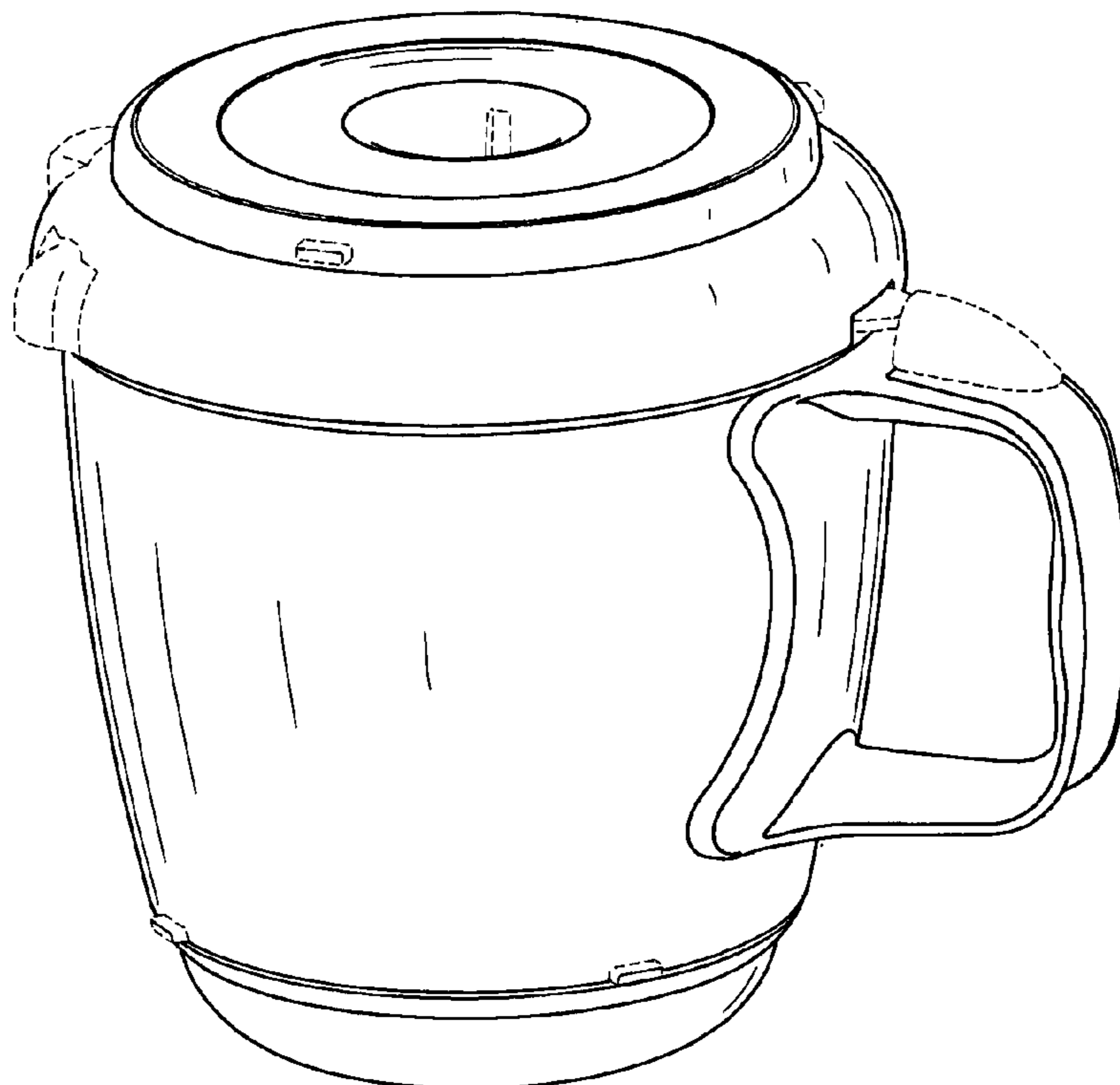
FIG. 4 is a rear elevational view thereof;

FIG. 5 is a left front elevational view thereof; and,

FIG. 6 is a top plan view thereof.

The broken lines in the drawings are for illustrative purposes only and form no part of the claimed design.

**1 Claim, 6 Drawing Sheets**



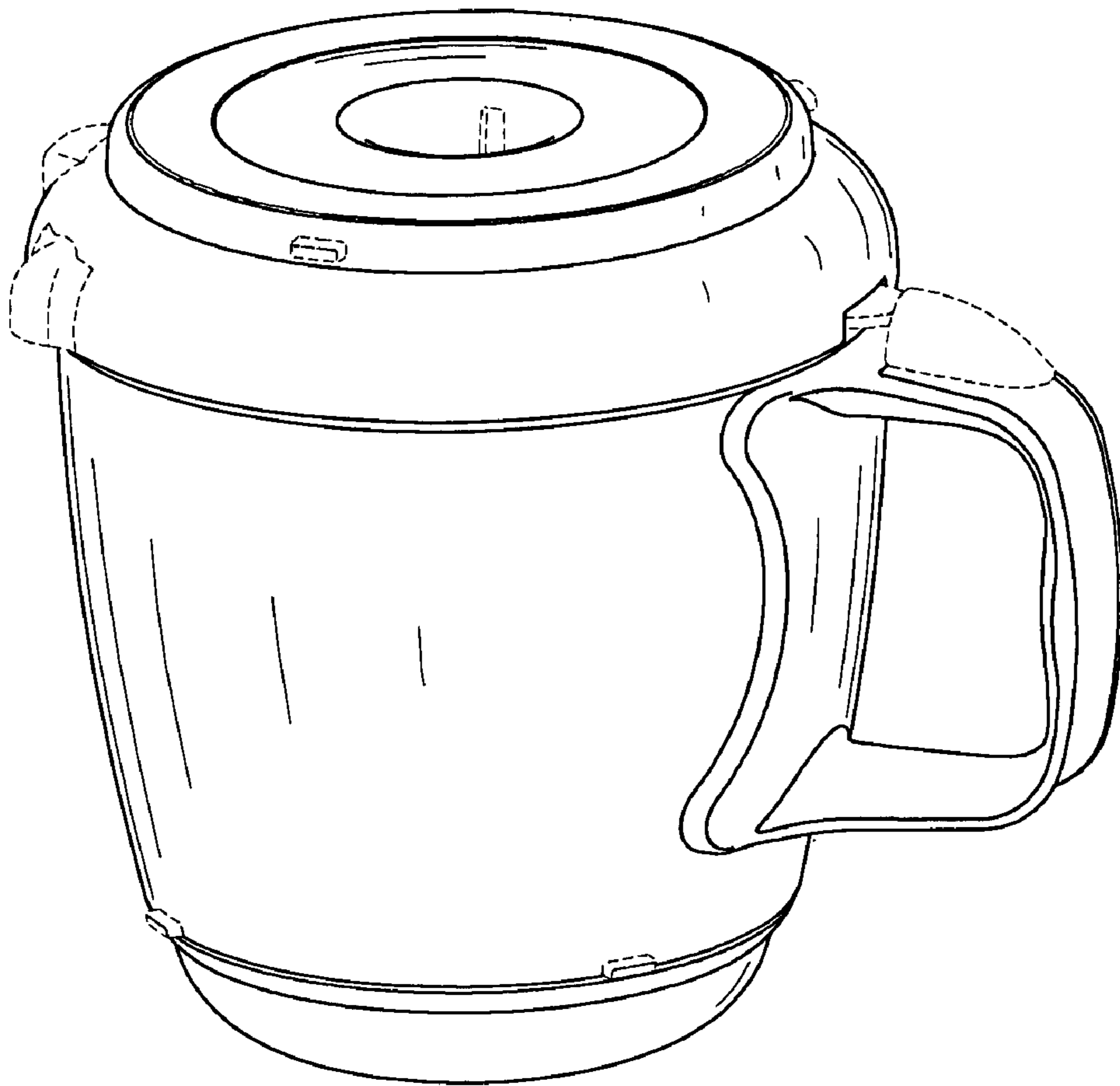


FIG 1

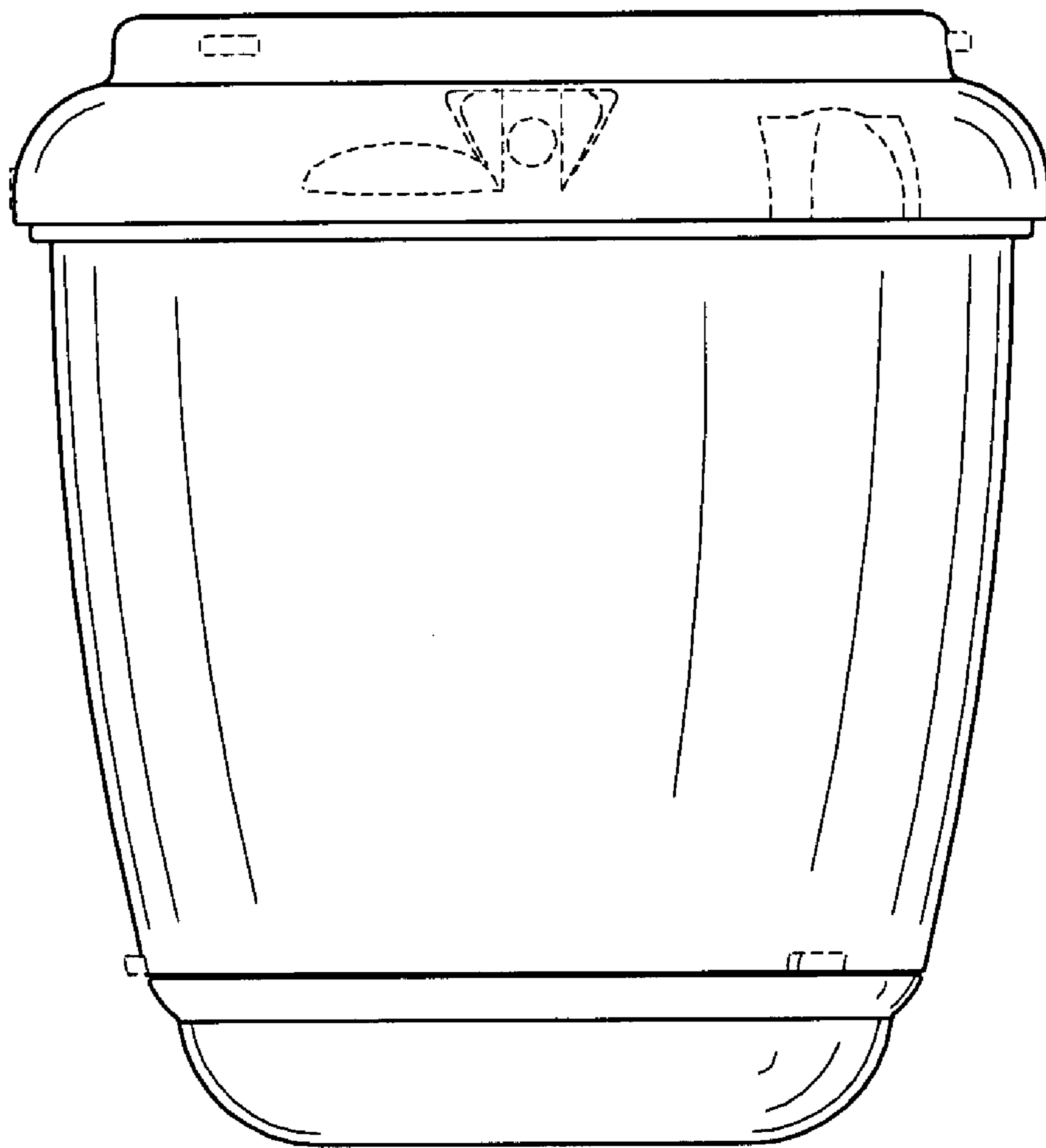


FIG 2

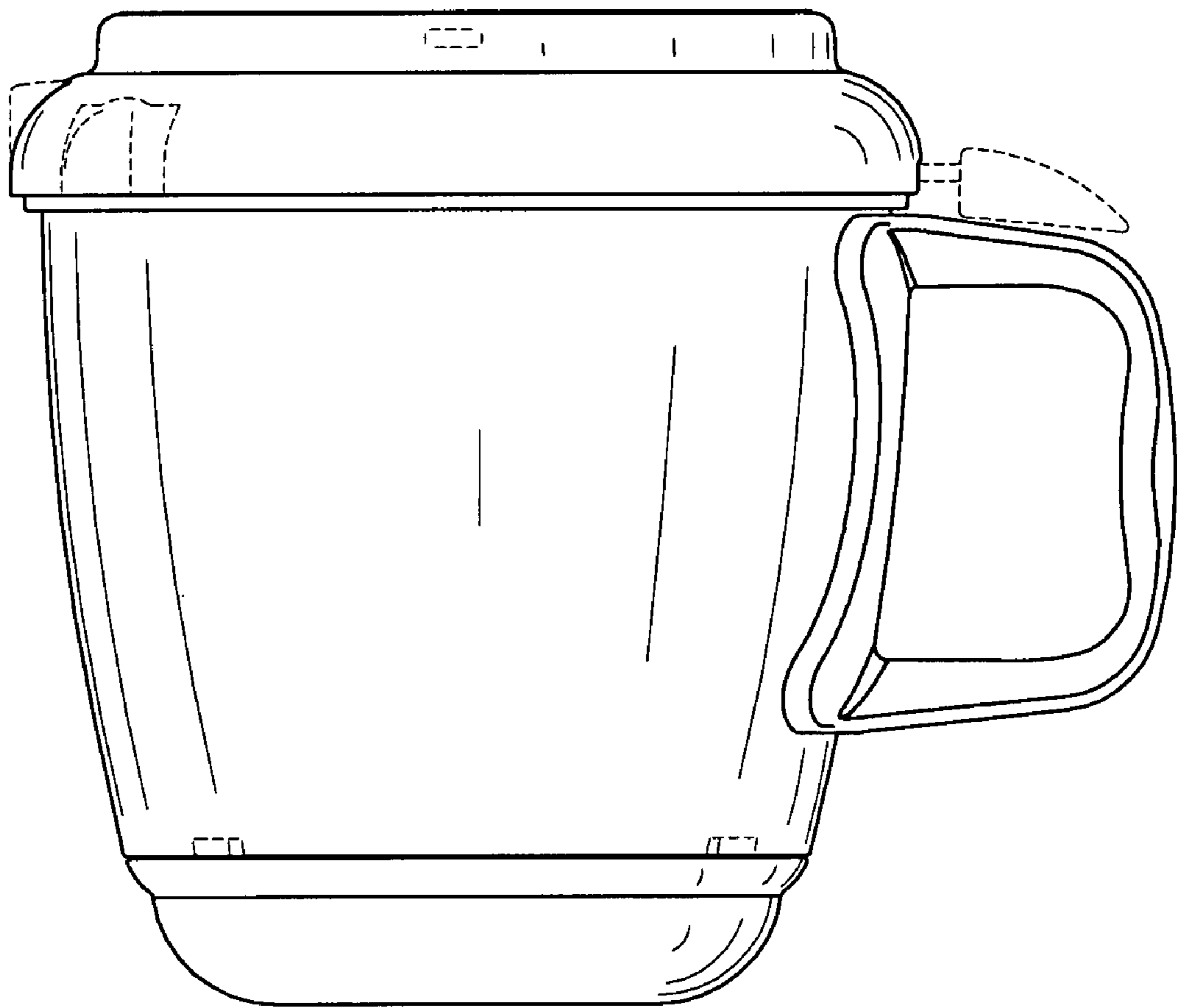


FIG 3

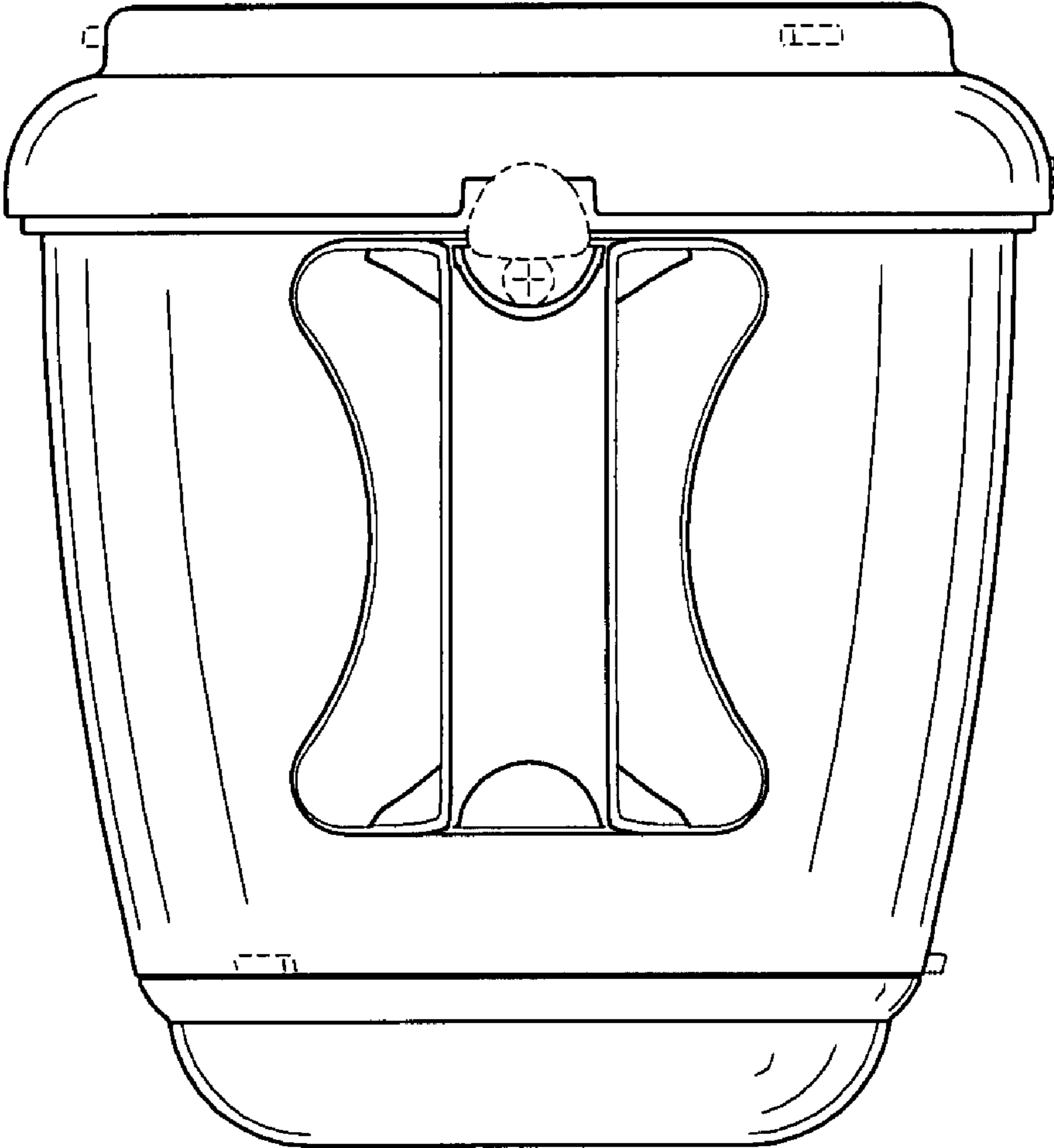


FIG 4

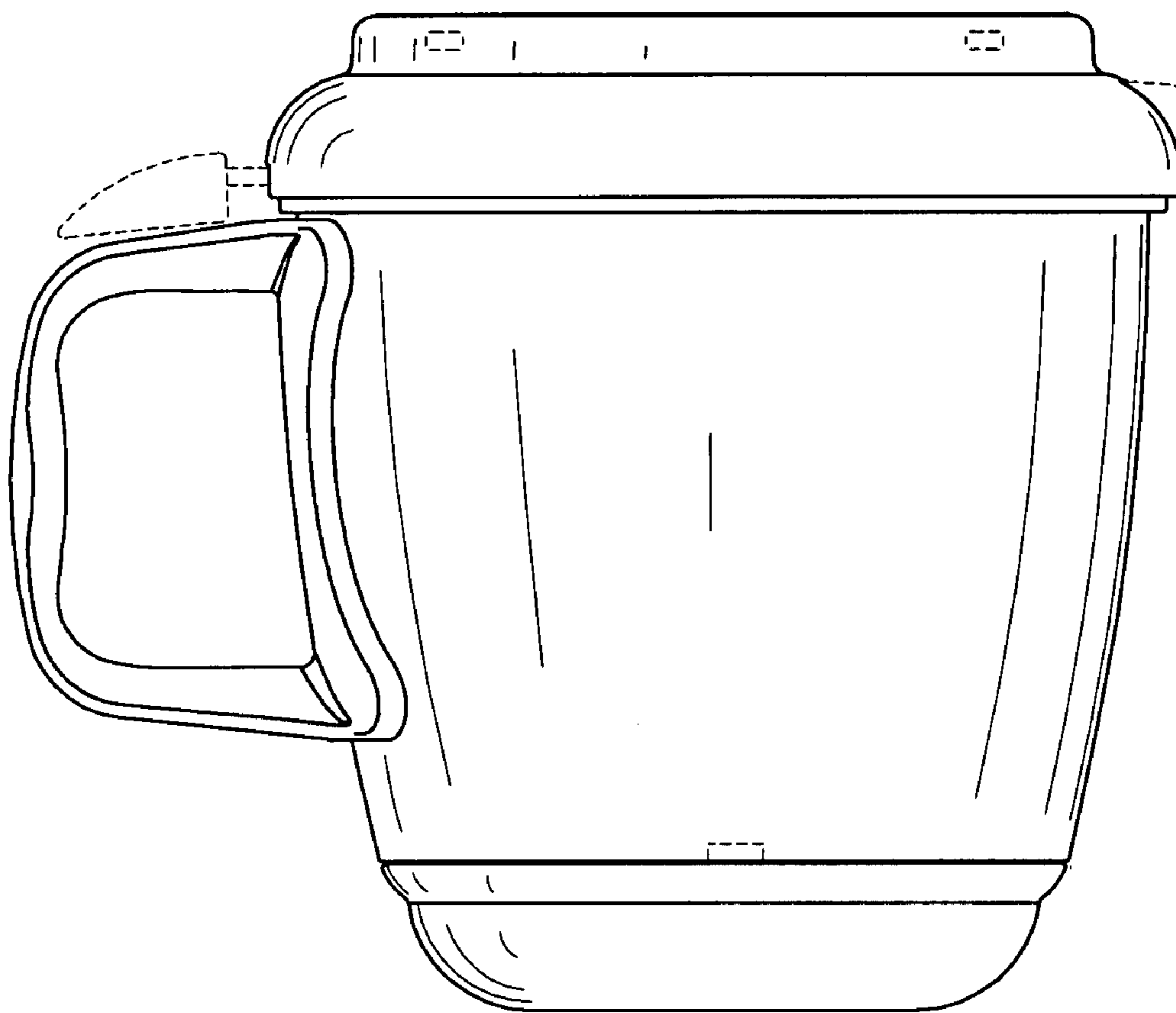


FIG 5

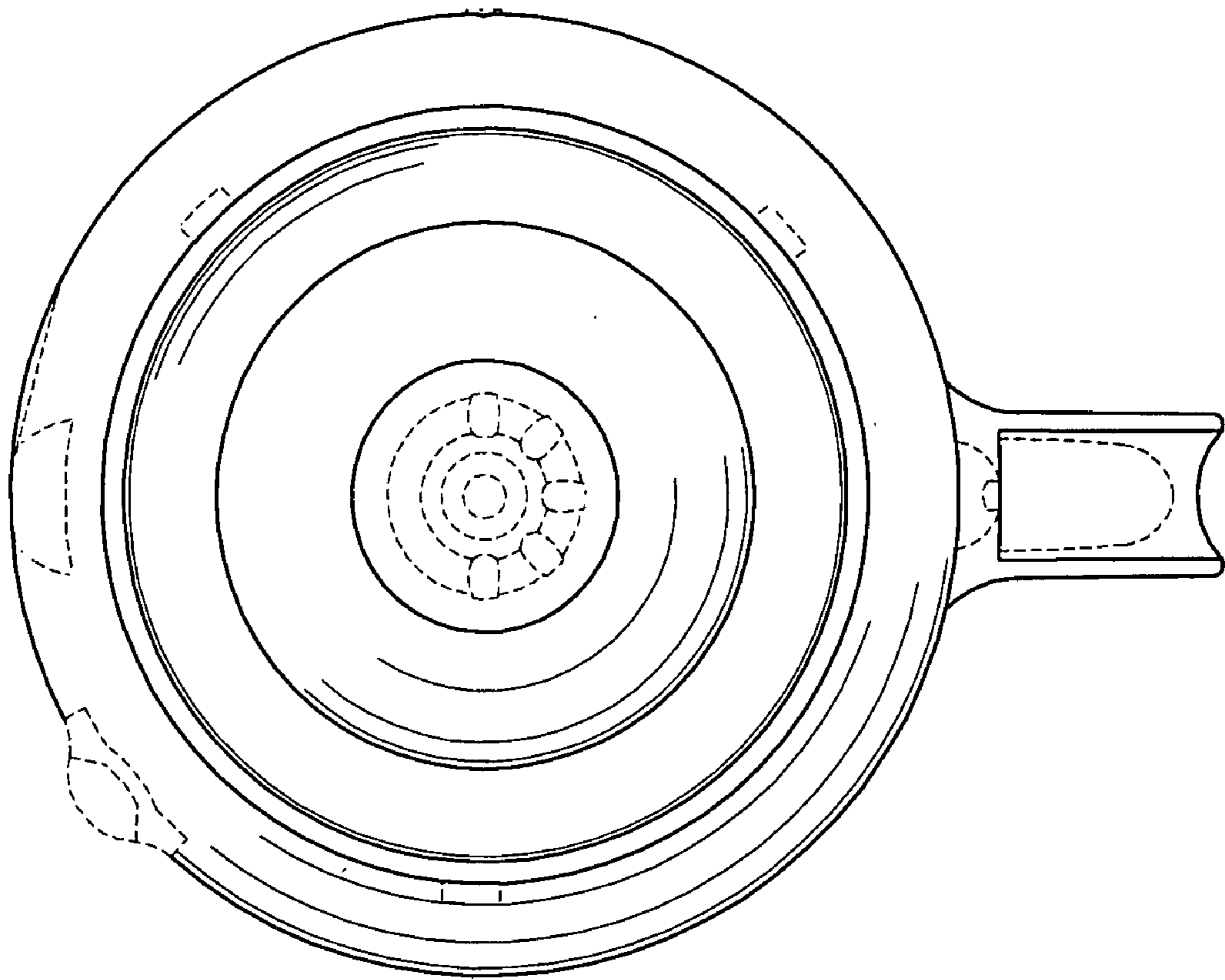


FIG 6