



US00D555426S

(12) **United States Design Patent** (10) **Patent No.:** **US D555,426 S**
Lin (45) **Date of Patent:** **** Nov. 20, 2007**

(54) **TURKEY FRYER STAND**
(75) Inventor: **Hsing-Chien Lin**, Taipei (TW)
(73) Assignee: **Test Rite International Company, Ltd.** (TW)
(**) Term: **14 Years**
(21) Appl. No.: **29/277,978**
(22) Filed: **Mar. 15, 2007**
(51) **LOC (8) Cl.** **07-02**
(52) **U.S. Cl.** **D7/402**
(58) **Field of Classification Search** D7/332,
D7/334-335, 337, 366, 388, 403, 407; 126/39 B,
126/1 R, 25 R, 30, 40; 99/340, 410, 413,
99/415; 248/97; D34/6
See application file for complete search history.

5,813,321 A * 9/1998 Bourgeois 99/340
D444,991 S * 7/2001 Measom D7/337
D486,689 S * 2/2004 Lu D7/403
D503,068 S * 3/2005 May et al. D7/388
D524,592 S * 7/2006 Brunner et al. D7/332

* cited by examiner

Primary Examiner—Robert A. Delehanty
Assistant Examiner—Mark Cavanna
(74) *Attorney, Agent, or Firm*—Venable, LLP; Raymond J. Ho

(57) **CLAIM**

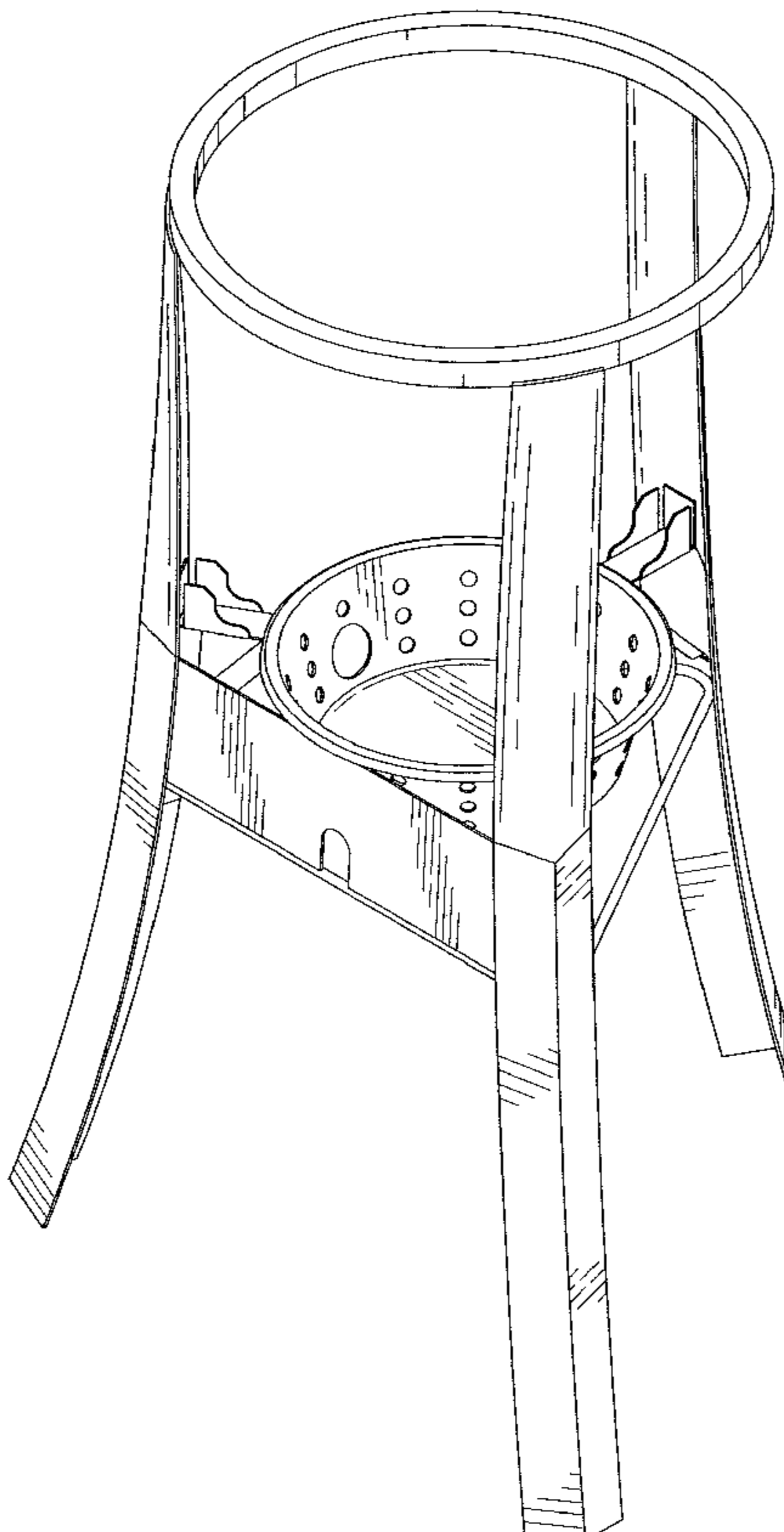
I claim the ornamental design for a turkey fryer stand, as shown and described.

DESCRIPTION

FIG. 1 is a perspective view of a turkey fryer stand showing my new design.
FIG. 2 is a front view thereof;
FIG. 3 is a rear view thereof
FIG. 4 is a left side view thereof;
FIG. 5 is a right side view thereof;
FIG. 6 is a top plan view thereof; and,
FIG. 7 is a bottom plan view thereof.

(56) **References Cited**
U.S. PATENT DOCUMENTS
D225,669 S * 12/1972 Toiseux D7/366
D271,935 S * 12/1983 Conner et al. D7/407
5,038,749 A * 8/1991 Jerry et al. 126/40
5,065,735 A * 11/1991 Bourgeois et al. 126/40
D369,513 S * 5/1996 Hirt et al. D7/403
5,531,154 A * 7/1996 Perez, III 126/25 R
D382,765 S * 8/1997 Kellermann D7/332
5,758,569 A * 6/1998 Barbour 99/415

1 Claim, 7 Drawing Sheets



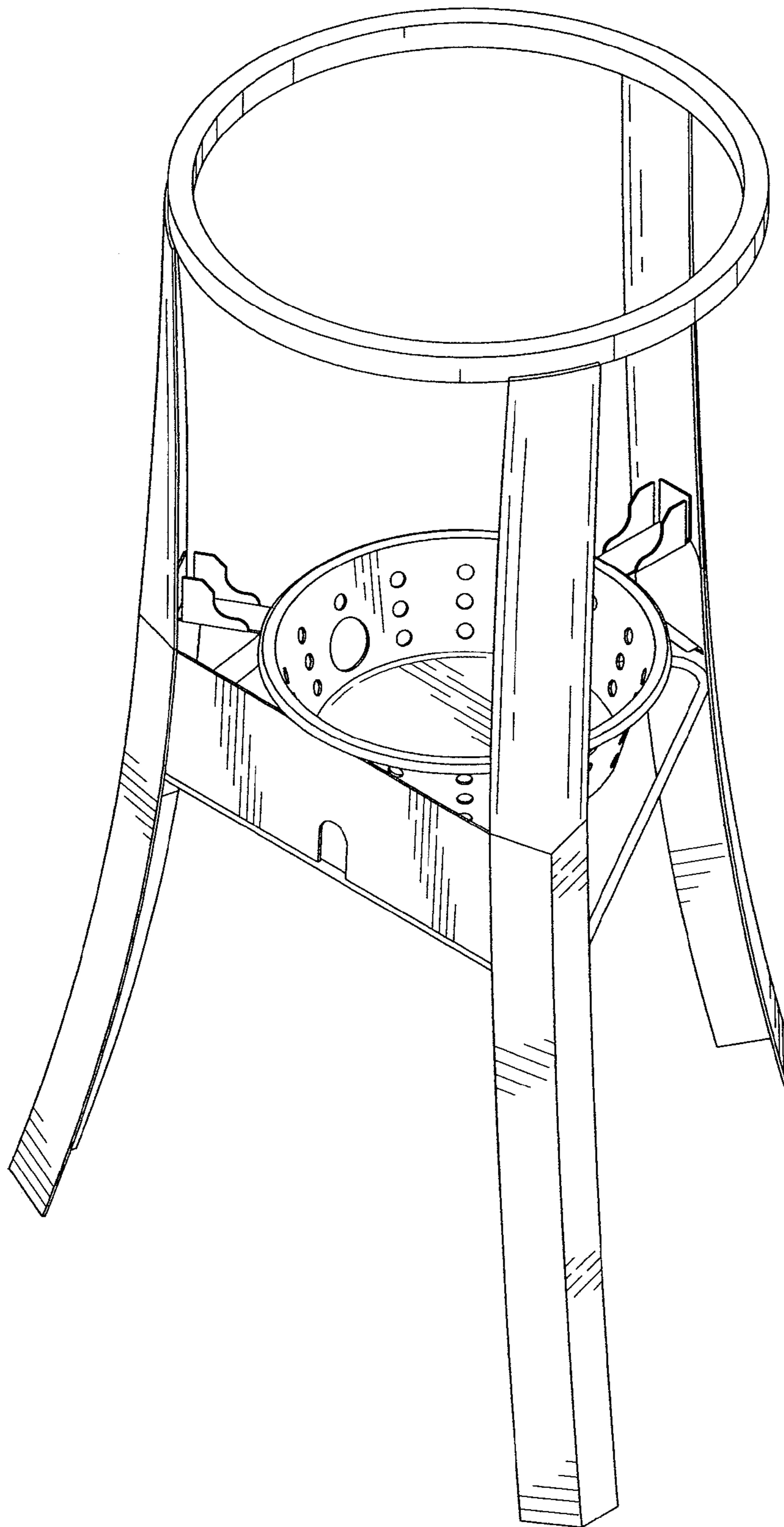


Fig. 1

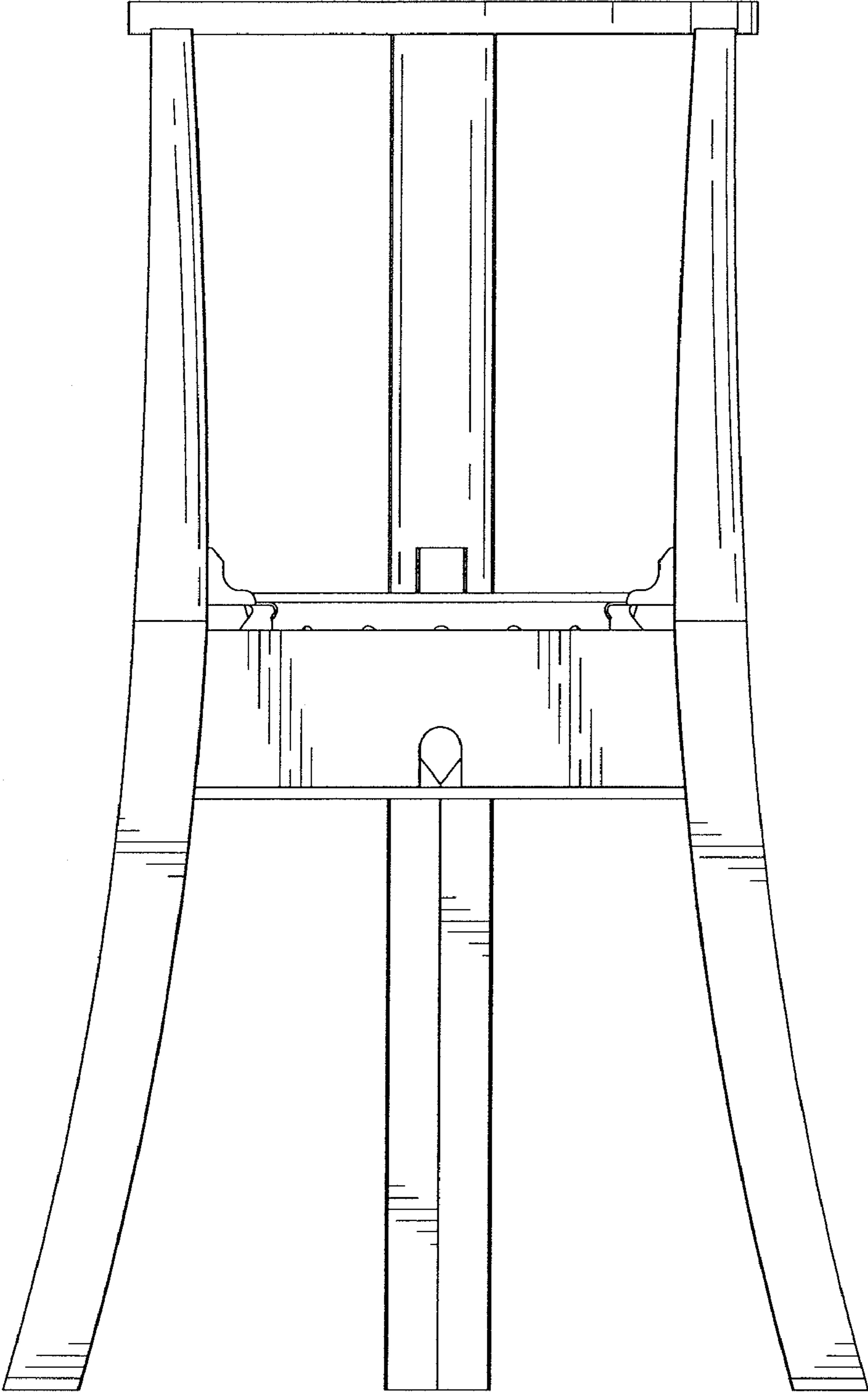


Fig. 2

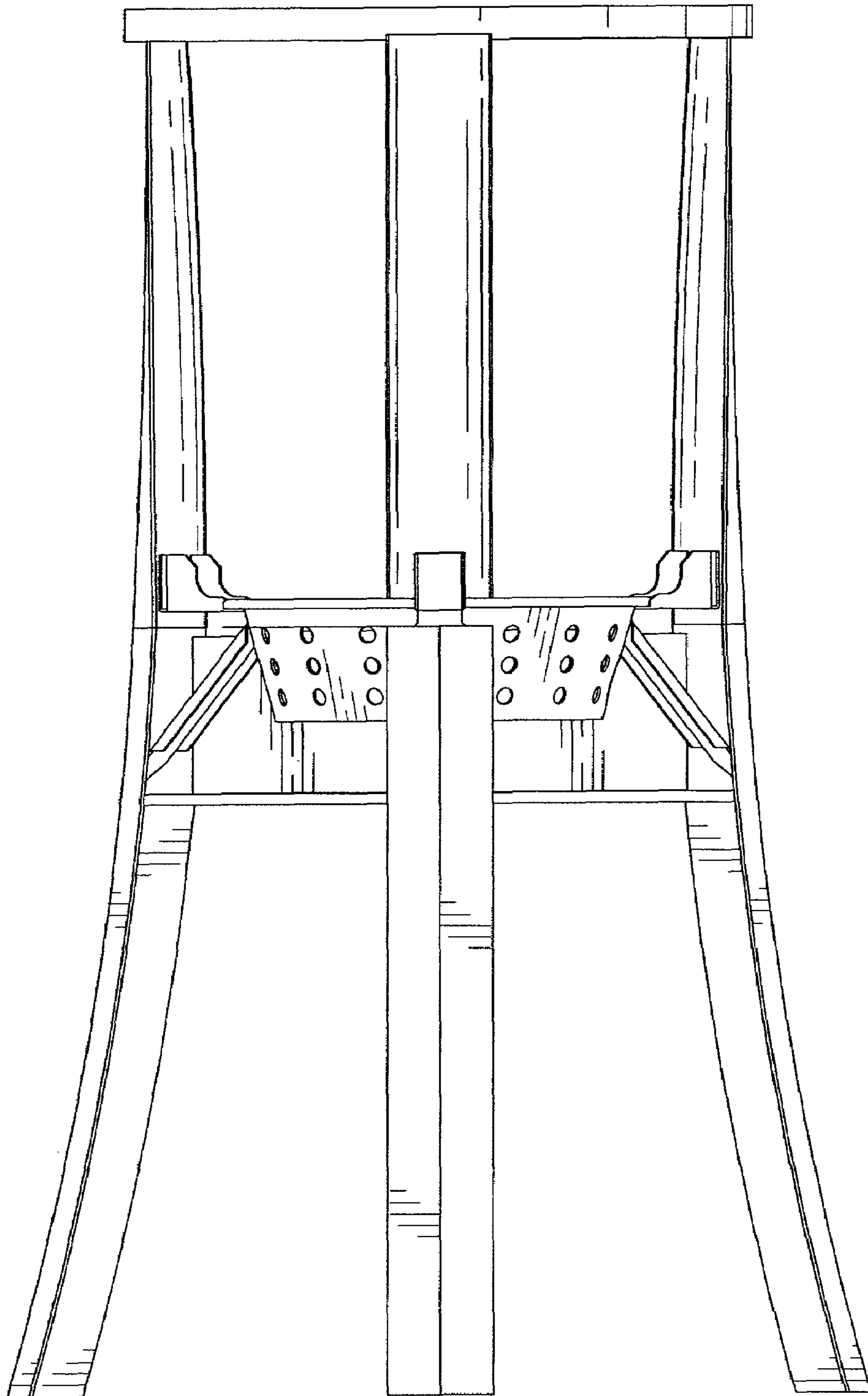


Fig. 3

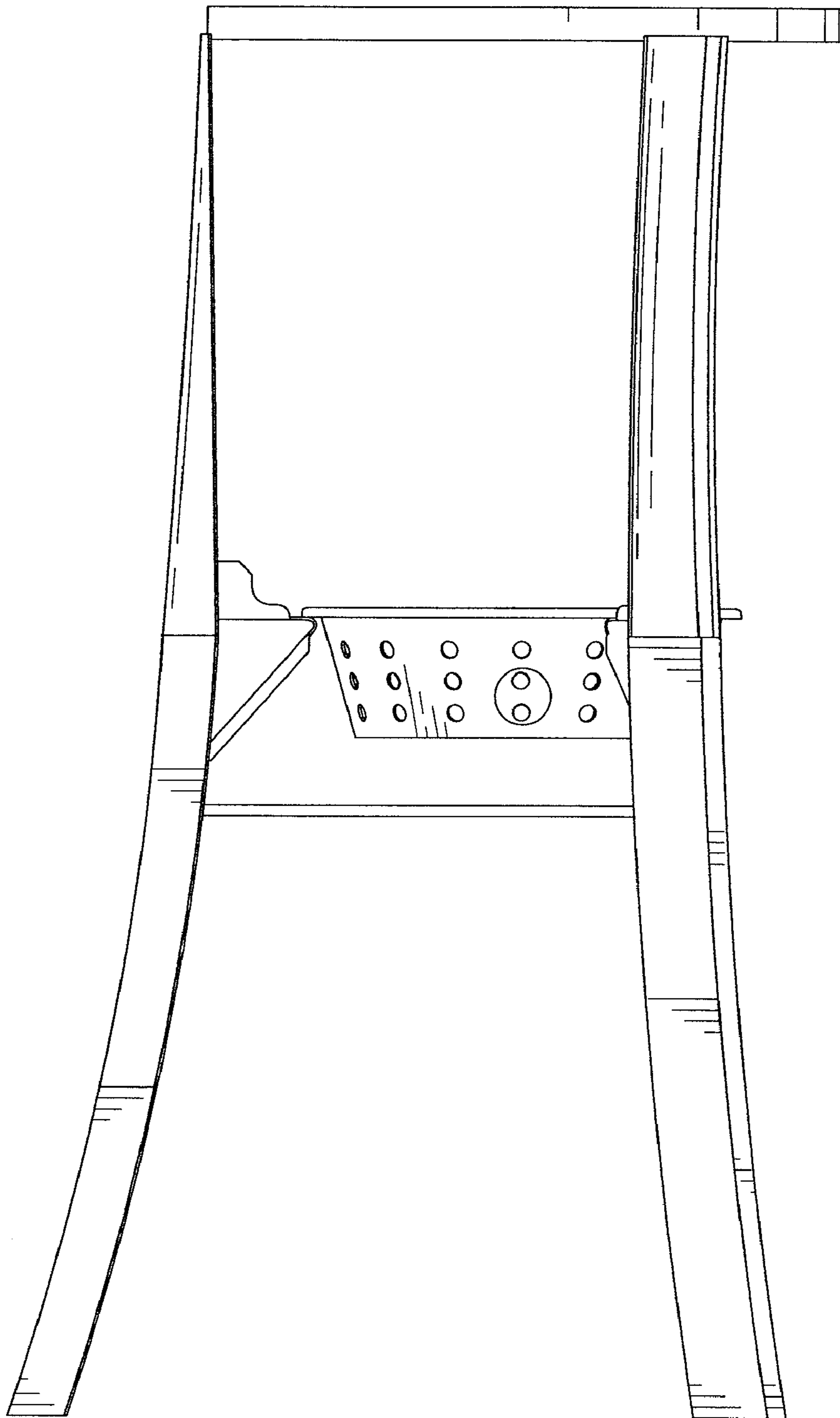


Fig. 4

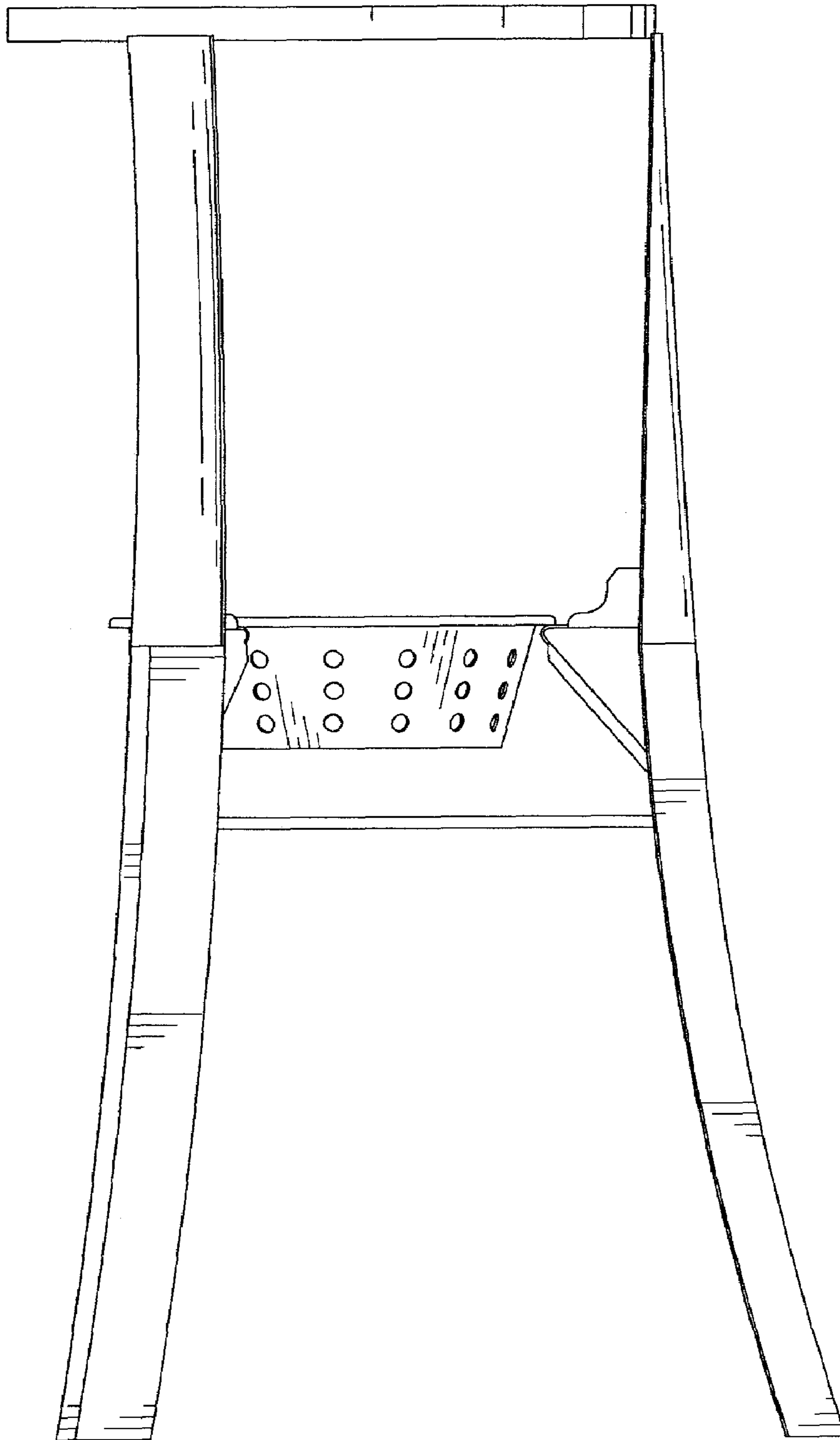


Fig. 5

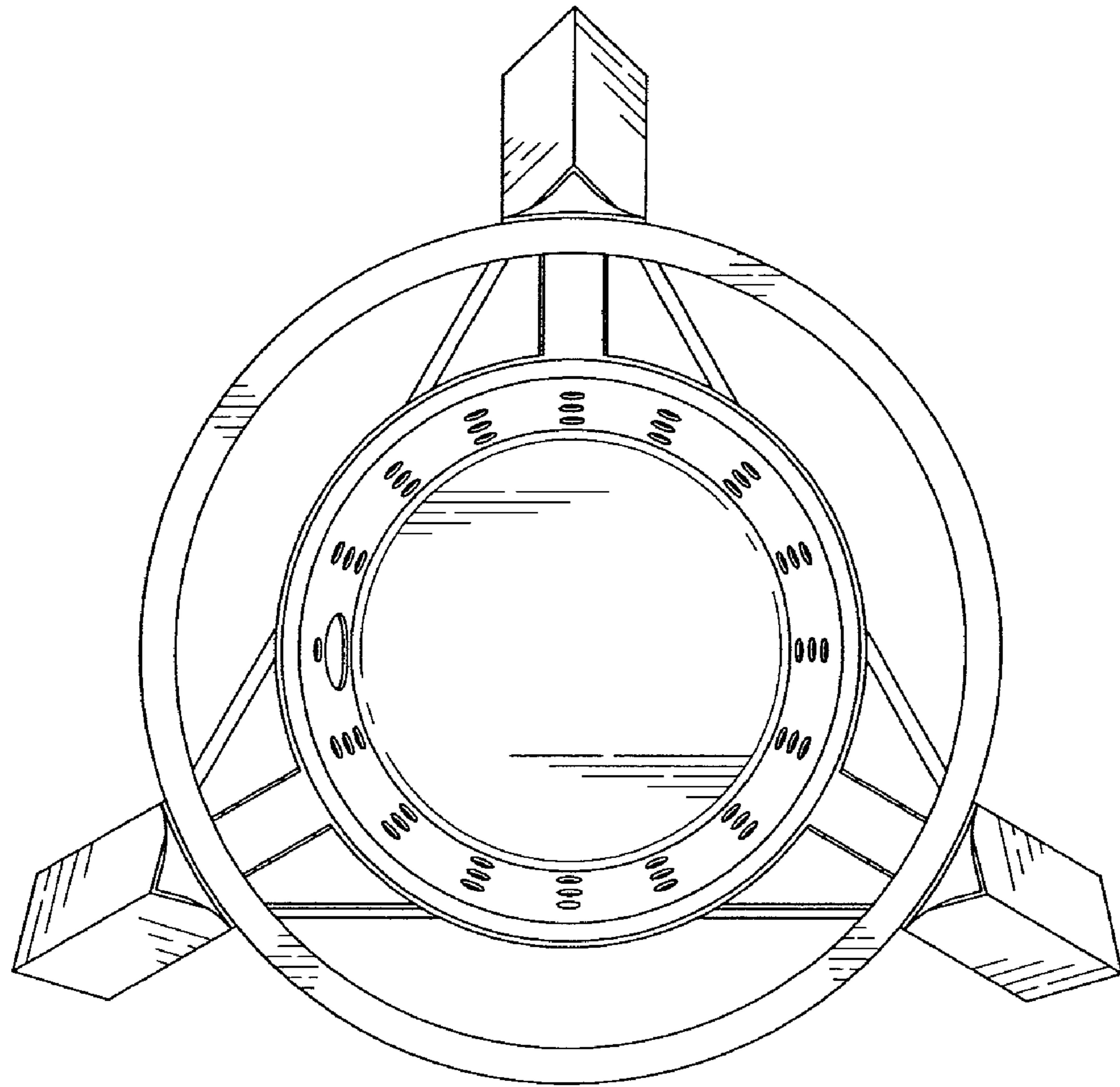


Fig. 6

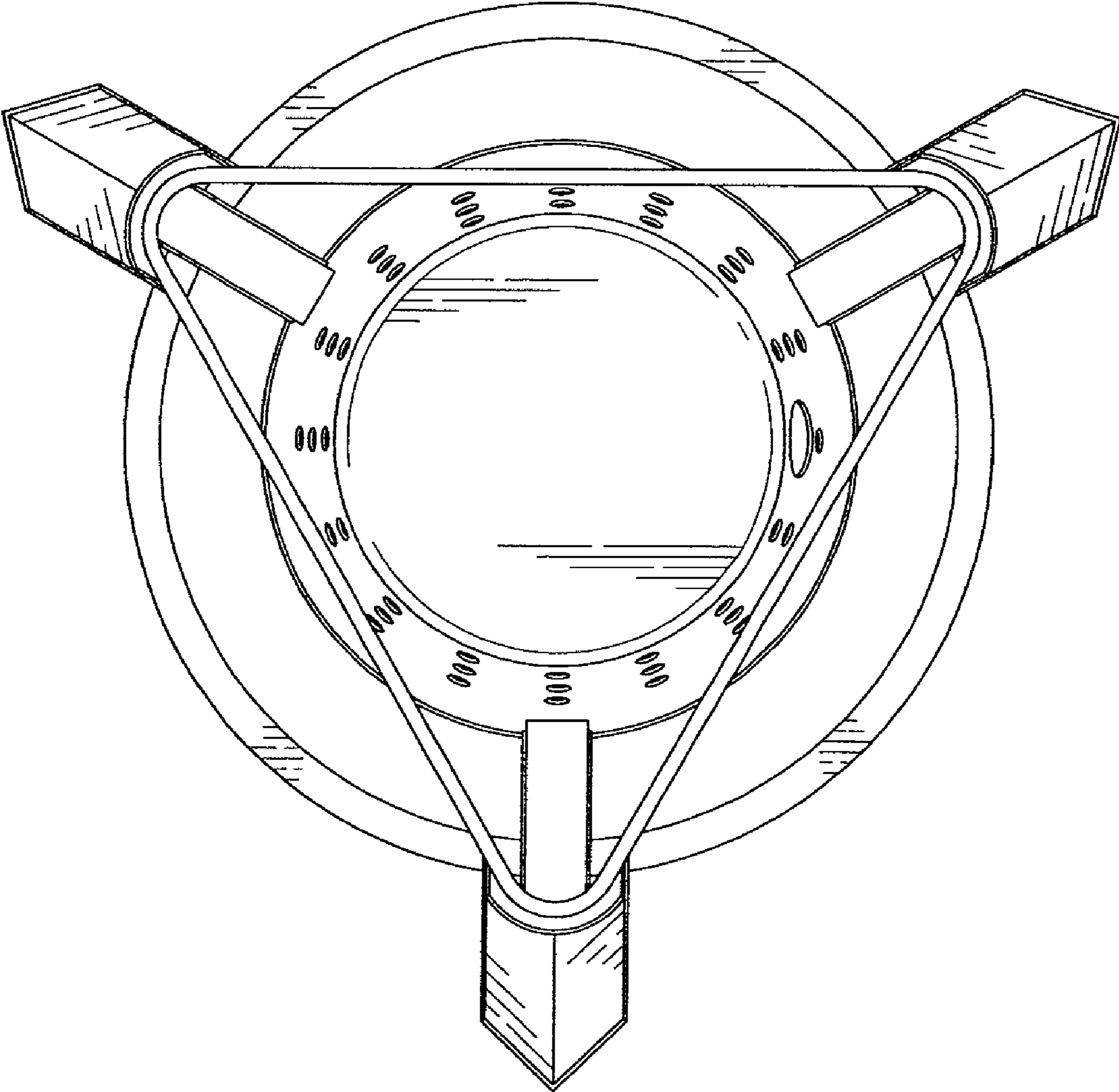


Fig. 7