



US00D555423S

(12) **United States Design Patent**
Hoff

(10) **Patent No.:** **US D555,423 S**

(45) **Date of Patent:** **** Nov. 20, 2007**

(54) **COOKWARE HANDLE**

(75) Inventor: **Susan K. Hoff**, Belmont, MI (US)

(73) Assignee: **Access Business Group International LLC**, Ada, MI (US)

(**) Term: **14 Years**

(21) Appl. No.: **29/255,653**

(22) Filed: **Mar. 10, 2006**

(51) **LOC (8) Cl.** **07-02**

(52) **U.S. Cl.** **D7/393**

(58) **Field of Classification Search** D7/354-357,
D7/359-361, 393, 395; D8/107, 307, 300;
16/430, 431, 110.1, 407; 220/573.1-573.5,
220/752, 753, 755-757, 759

See application file for complete search history.

(56) **References Cited**

U.S. PATENT DOCUMENTS

D174,223 S *	3/1955	Howie	D7/393
D281,050 S *	10/1985	Cesaroni et al.	D7/360
D377,581 S *	1/1997	Rohrer	D7/393
D395,376 S *	6/1998	Montgelard	D7/393
D410,817 S *	6/1999	Brunianyn	D7/393

D436,000 S *	1/2001	Munari	D7/393
D448,972 S *	10/2001	Knorr	D7/393
D461,092 S *	8/2002	Coudurier	D7/393
D527,577 S *	9/2006	Magnouloux	D7/393

* cited by examiner

Primary Examiner—Holly H. Baynham

Assistant Examiner—Cynthia M. Chin

(74) *Attorney, Agent, or Firm*—Alticor Inc.

(57) **CLAIM**

The ornamental design for a cookware handle, as shown and described.

DESCRIPTION

FIG. 1 is a top perspective view of the cookware handle;

FIG. 2 is a bottom perspective view thereof;

FIG. 3 is a front view thereof;

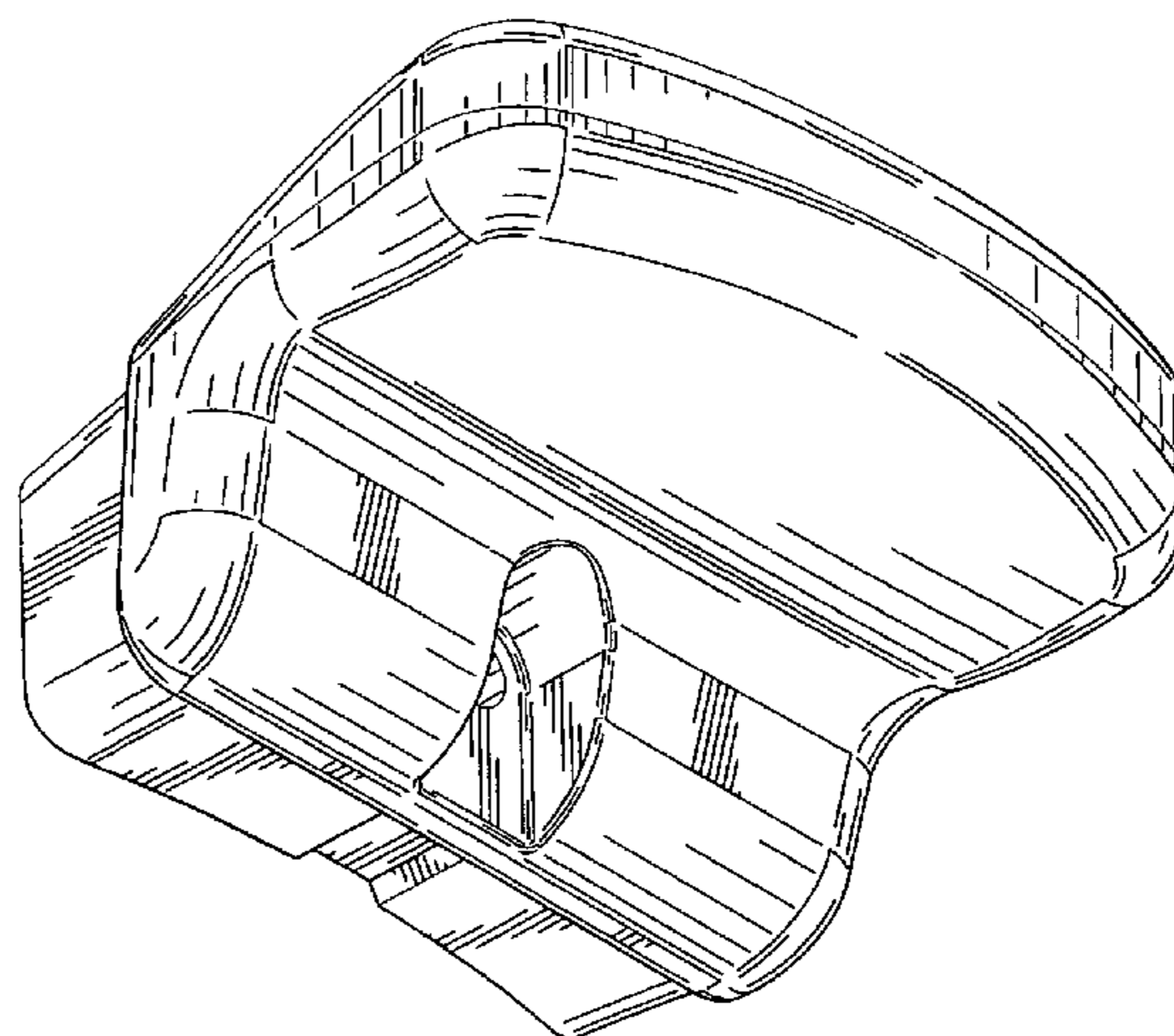
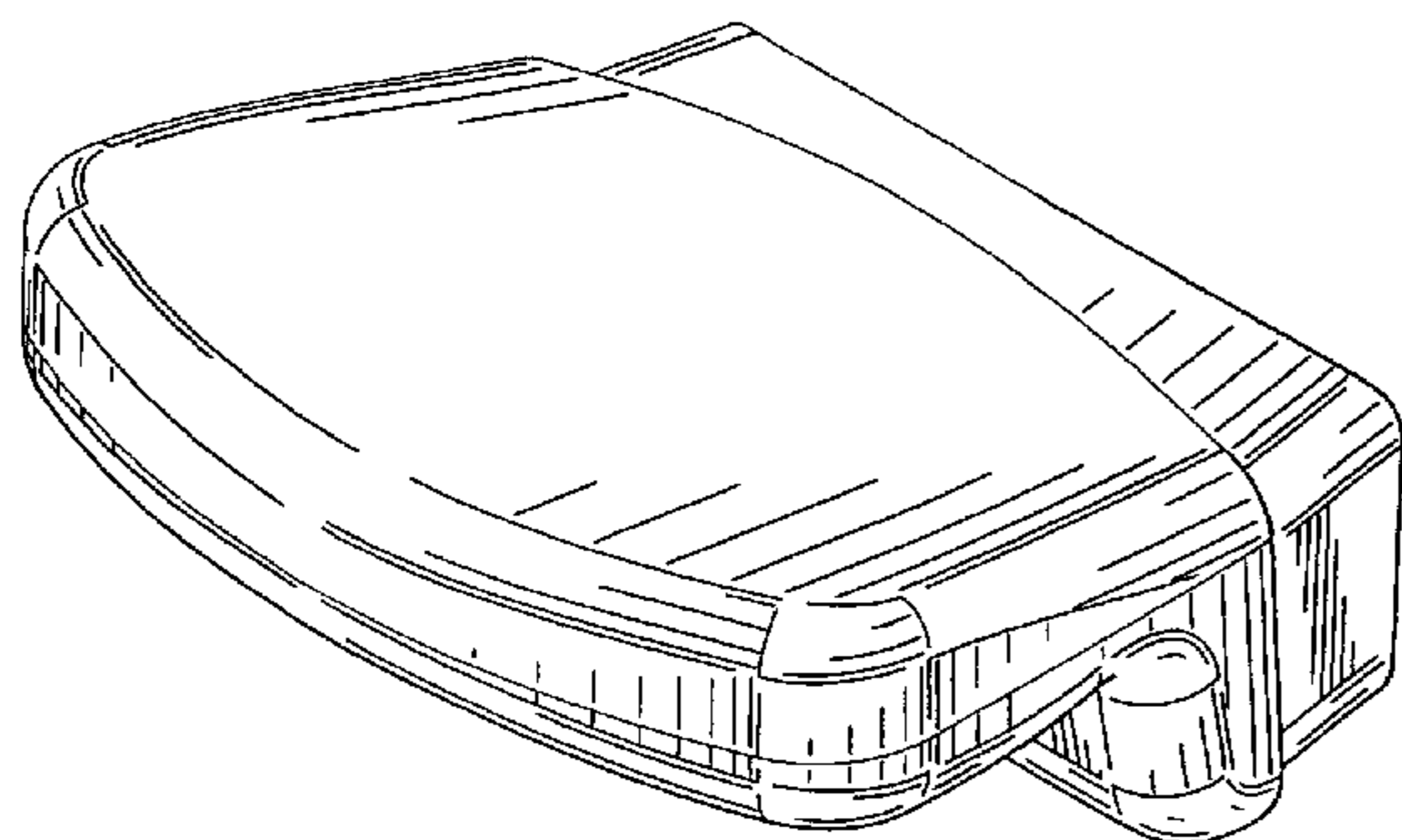
FIG. 4 is a left side elevational view thereof; the right side being a mirror image;

FIG. 5 is a rear elevational view thereof;

FIG. 6 is a top plan view thereof; and,

FIG. 7 is a bottom plan view.

1 Claim, 3 Drawing Sheets



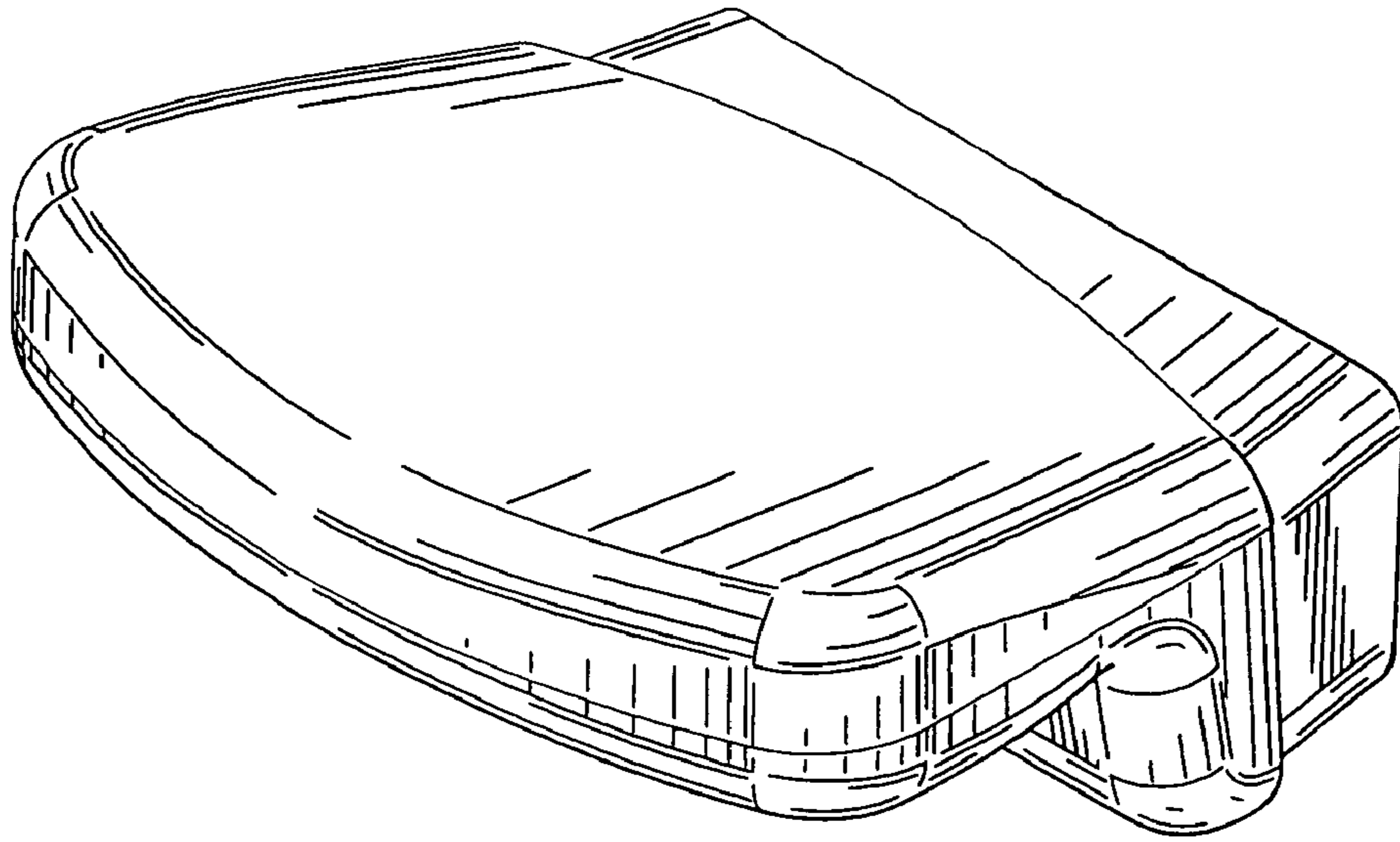


FIG. 1

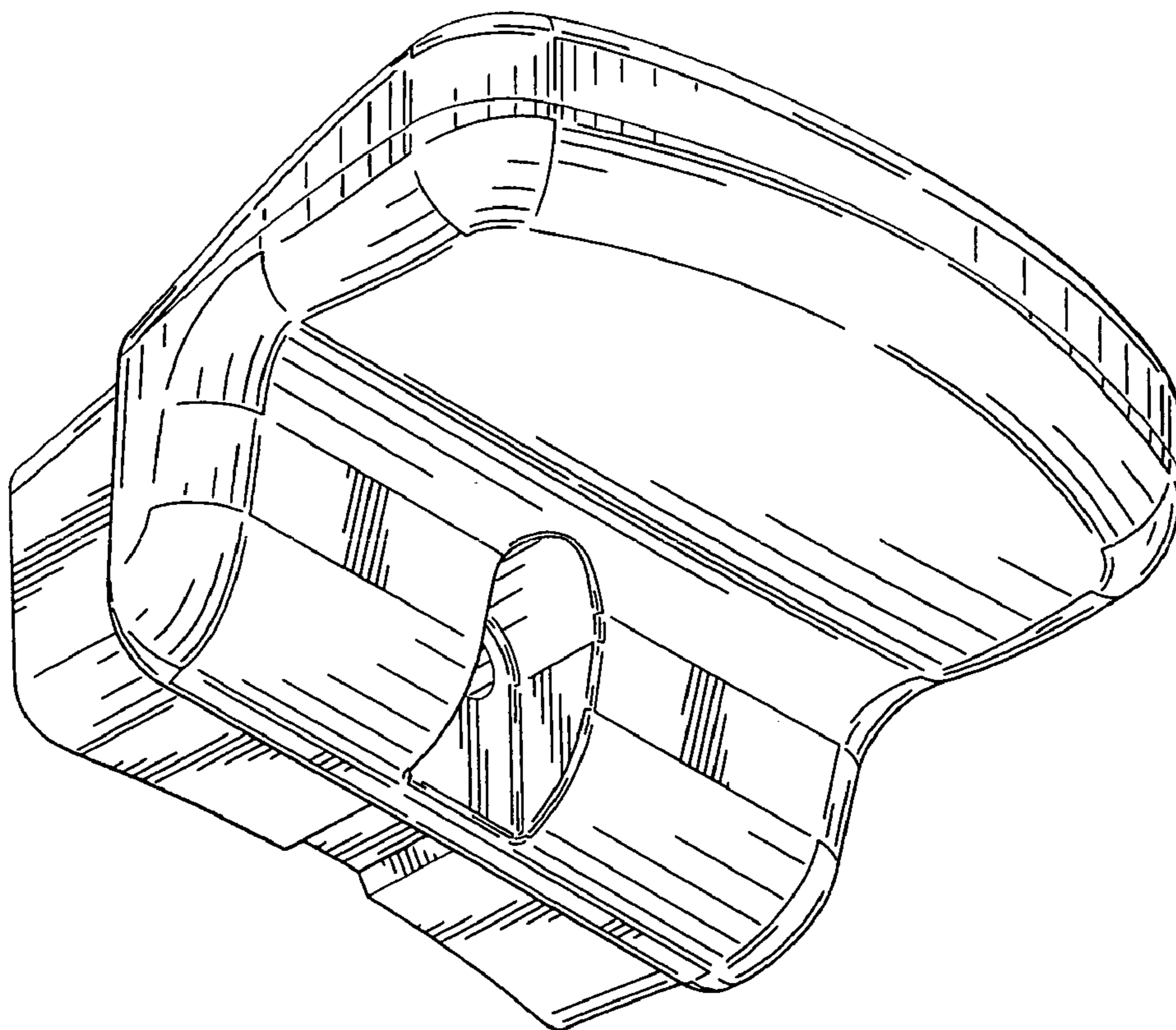


FIG. 2

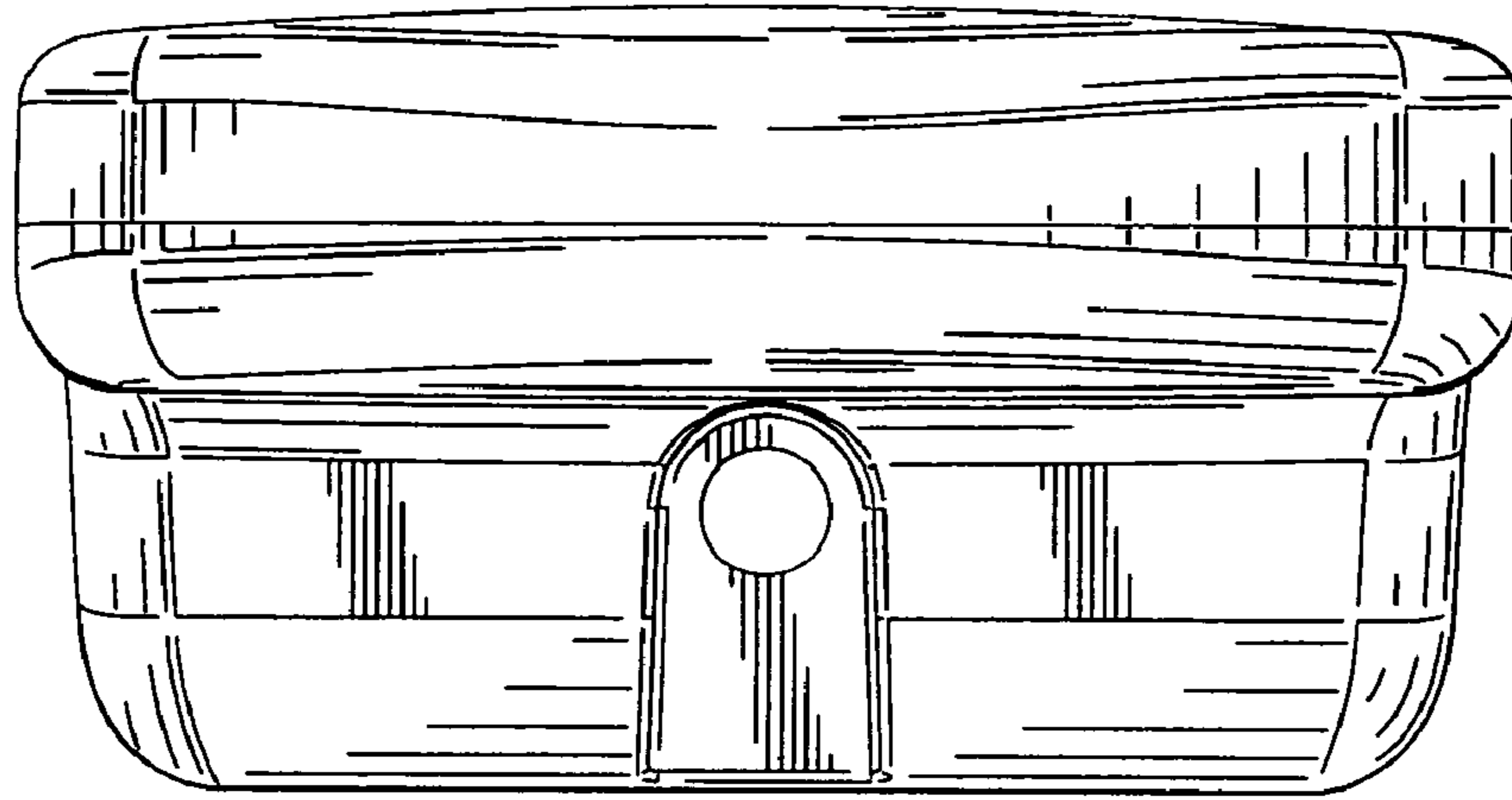


FIG. 3

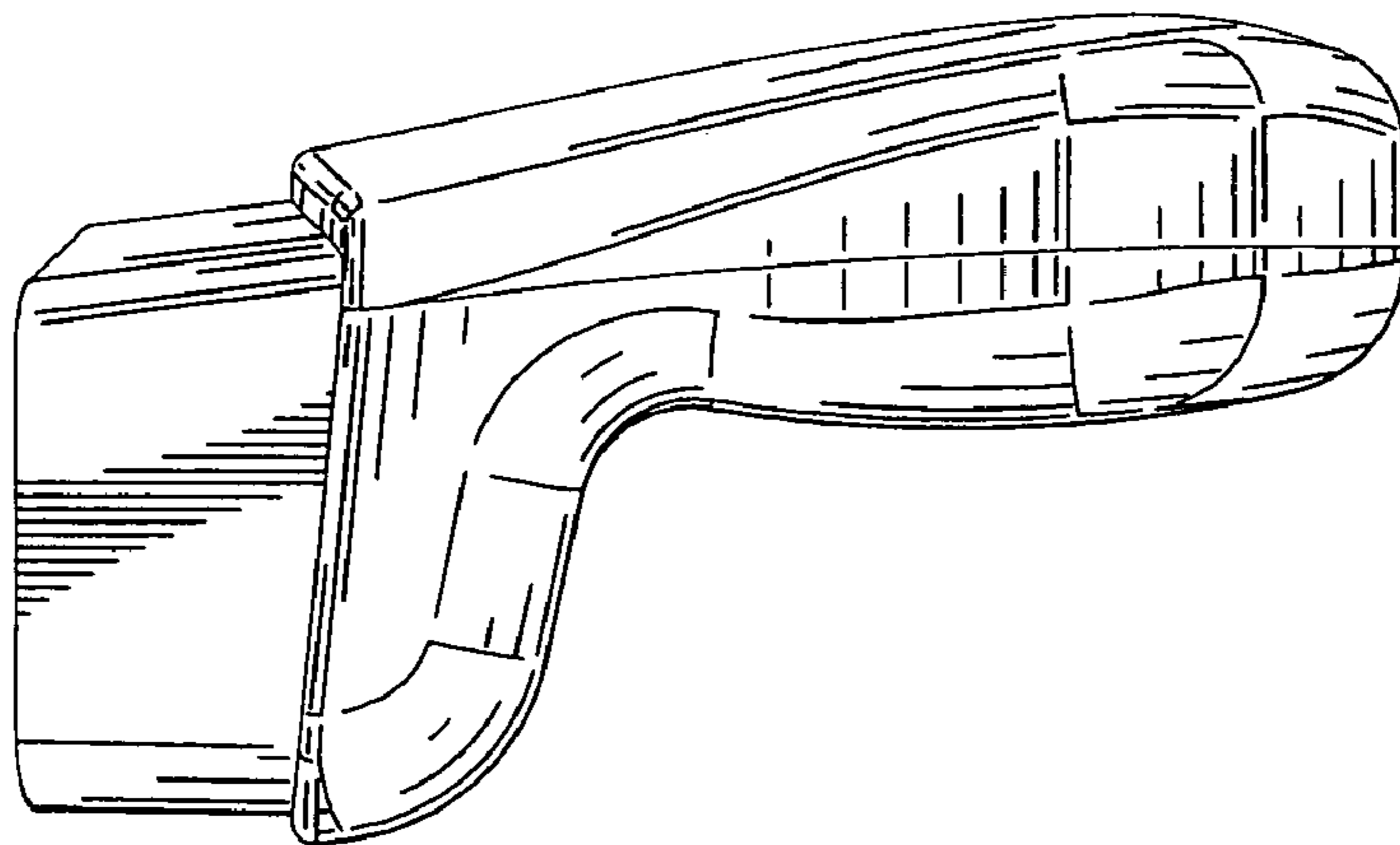


FIG. 4

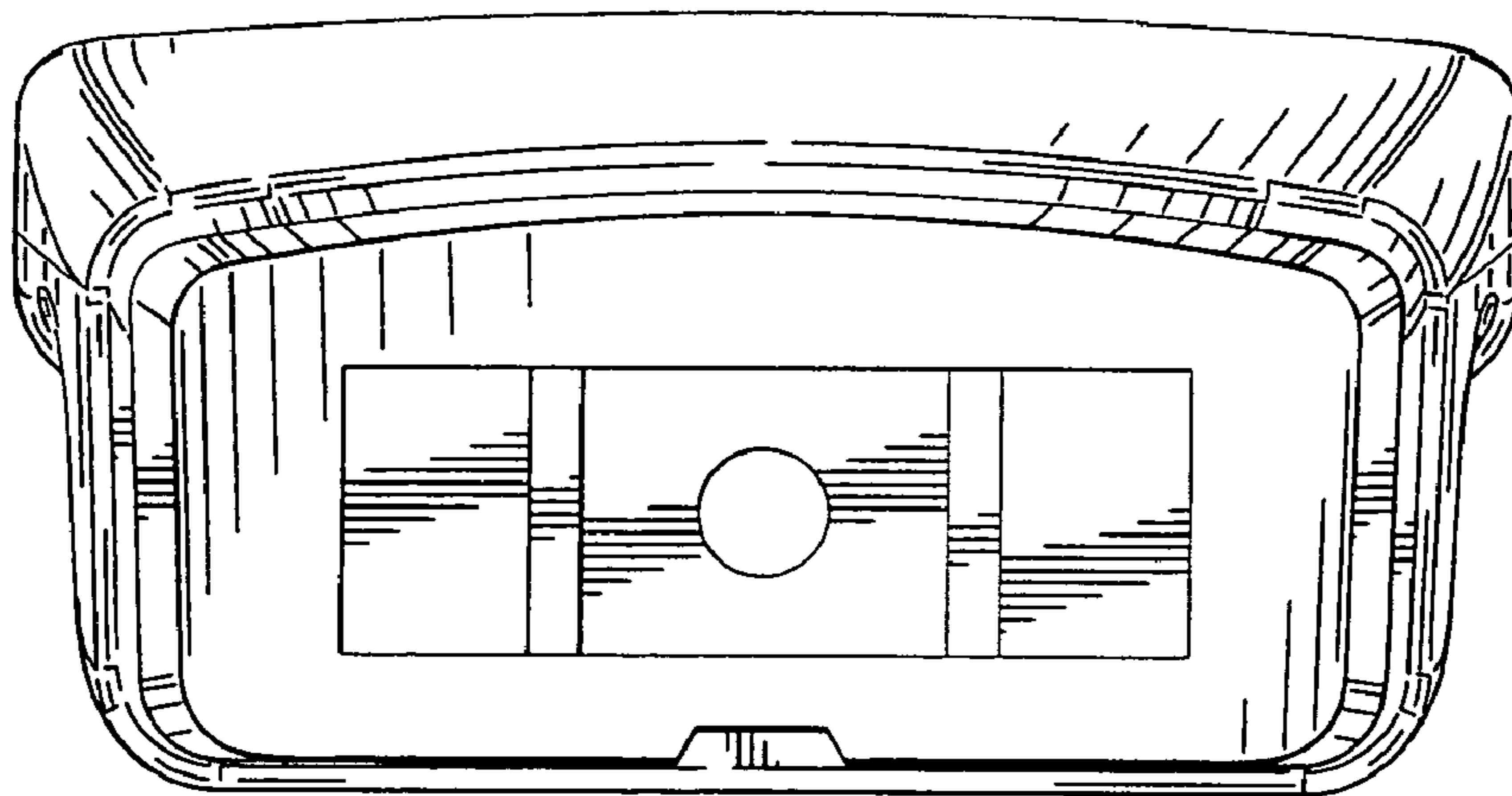


FIG. 5

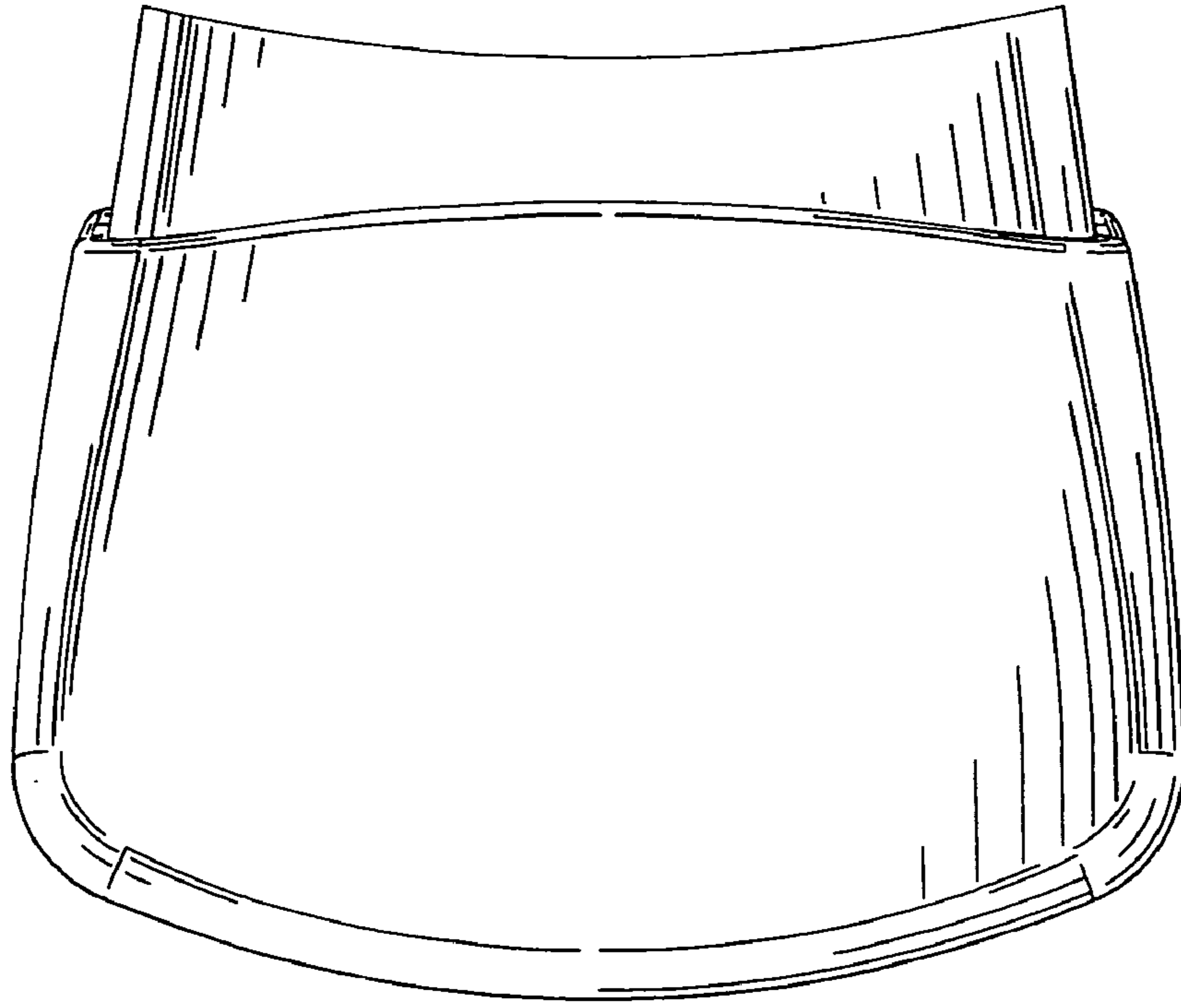


FIG. 6

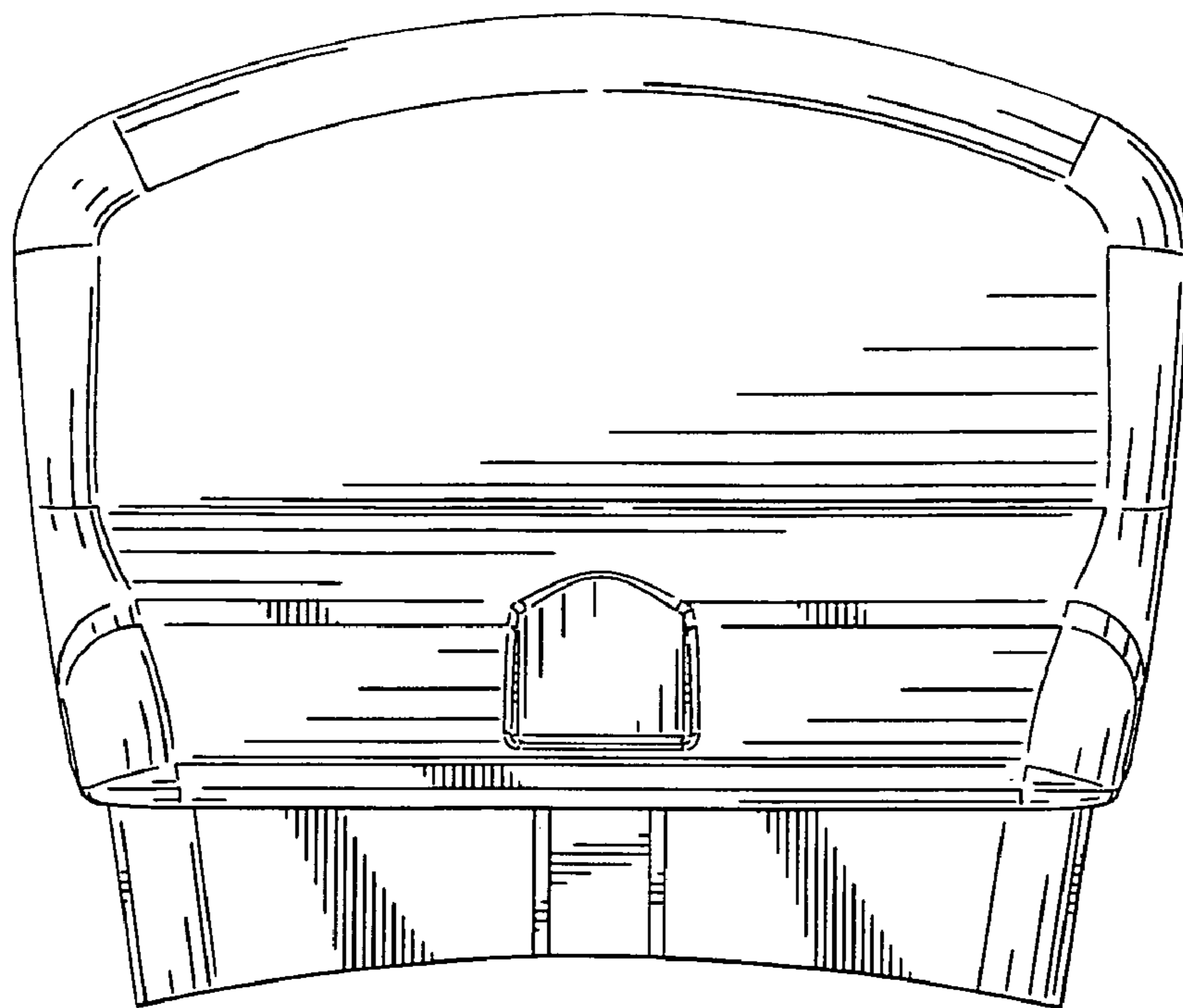


FIG. 7