



US00D555421S

(12) **United States Design Patent**
Thurlow et al.

(10) **Patent No.:** **US D555,421 S**

(45) **Date of Patent:** **** Nov. 20, 2007**

(54) **COOKWARE HANDLE**

(75) Inventors: **Heida L. Thurlow**, Houston, TX (US);
Scott A. Henderson, Brooklyn, NY
(US)

(73) Assignee: **Lentrade, Inc.**, Houston, TX (US)

(**) Term: **14 Years**

(21) Appl. No.: **29/249,083**

(22) Filed: **Sep. 19, 2006**

(51) **LOC (8) Cl.** **07-02**

(52) **U.S. Cl.** **D7/393**

(58) **Field of Classification Search** D7/354-357,
D7/359-361, 393, 395; D8/107, 307, 300;
16/430, 431, 110.1, 407; 220/573.1-573.5,
220/752, 753, 755-757, 759

See application file for complete search history.

(56) **References Cited**

U.S. PATENT DOCUMENTS

D407,600 S	4/1999	LoGiudice	
D426,107 S *	6/2000	Cheng	D7/393
D429,950 S *	8/2000	Yu et al.	D7/395
D433,278 S	11/2000	LoGiudice	
D439,108 S	3/2001	LoGiudice	
D444,347 S *	7/2001	LoGiudice	D7/395
D468,583 S *	1/2003	Kerulis	D7/395

D494,412 S *	8/2004	Prakasa	D7/395
D497,771 S *	11/2004	Thomkins	D7/395
D503,585 S	4/2005	Tetreault et al.	
D531,852 S *	11/2006	Bham	D7/393

* cited by examiner

Primary Examiner—Holly H. Baynham

Assistant Examiner—Cynthia M. Chin

(74) *Attorney, Agent, or Firm*—Patrick K. Steele; Streets & Steele

(57) **CLAIM**

The ornamental design for a cookware handle, as shown and described.

DESCRIPTION

FIG. 1 is a perspective top view of the cookware handle of the present invention.

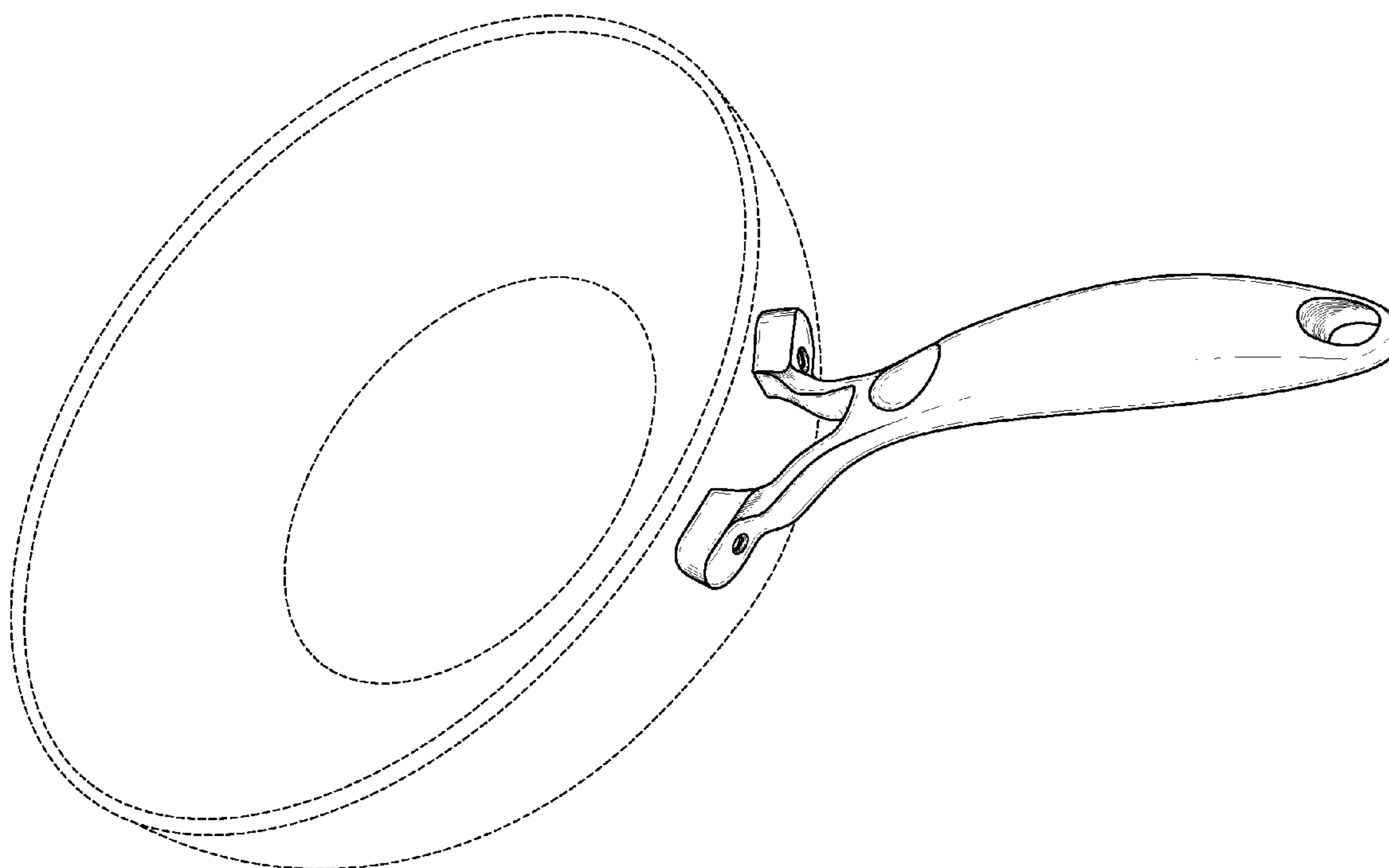
FIG. 2 is a left side view of the cookware handle of FIG. 1, the right side view being a mirror-image of FIG. 2.

FIG. 3 is a bottom plan view of the cookware handle of the present invention; and,

FIG. 4 is a top plan view of the cookware handle of the present invention.

The broken lines showing the pan on FIGS. 1-4 are for illustrative purposes only and form no part of the claimed design.

1 Claim, 3 Drawing Sheets



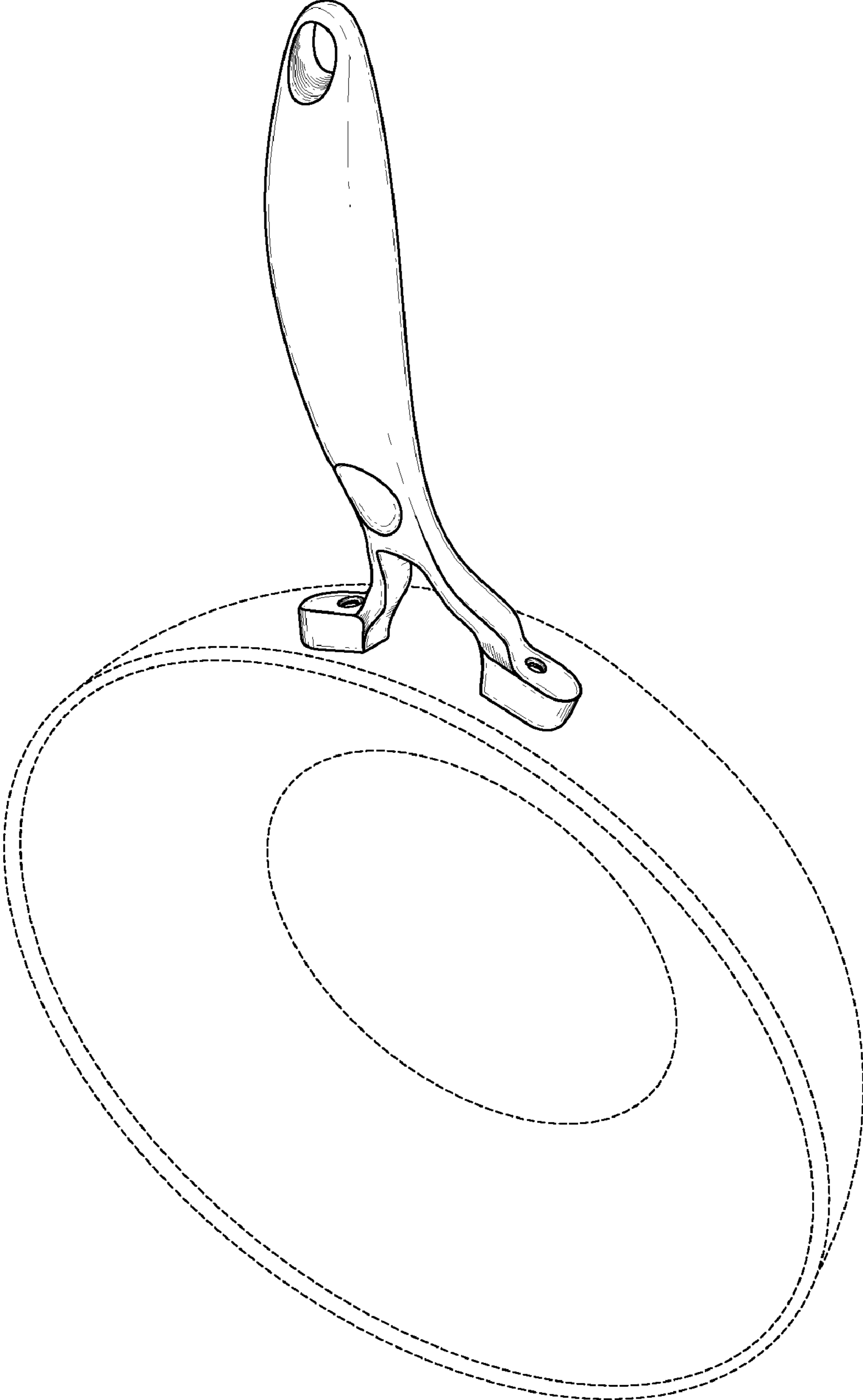


FIG. 1

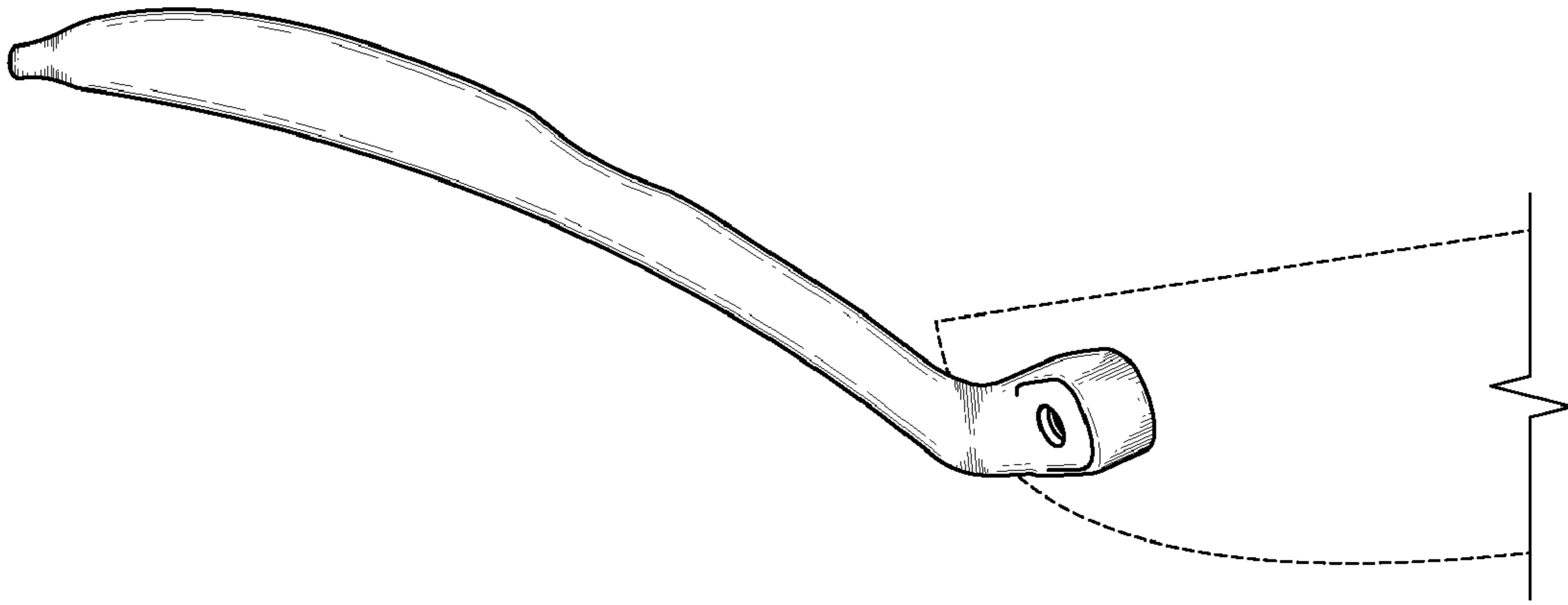


FIG. 2

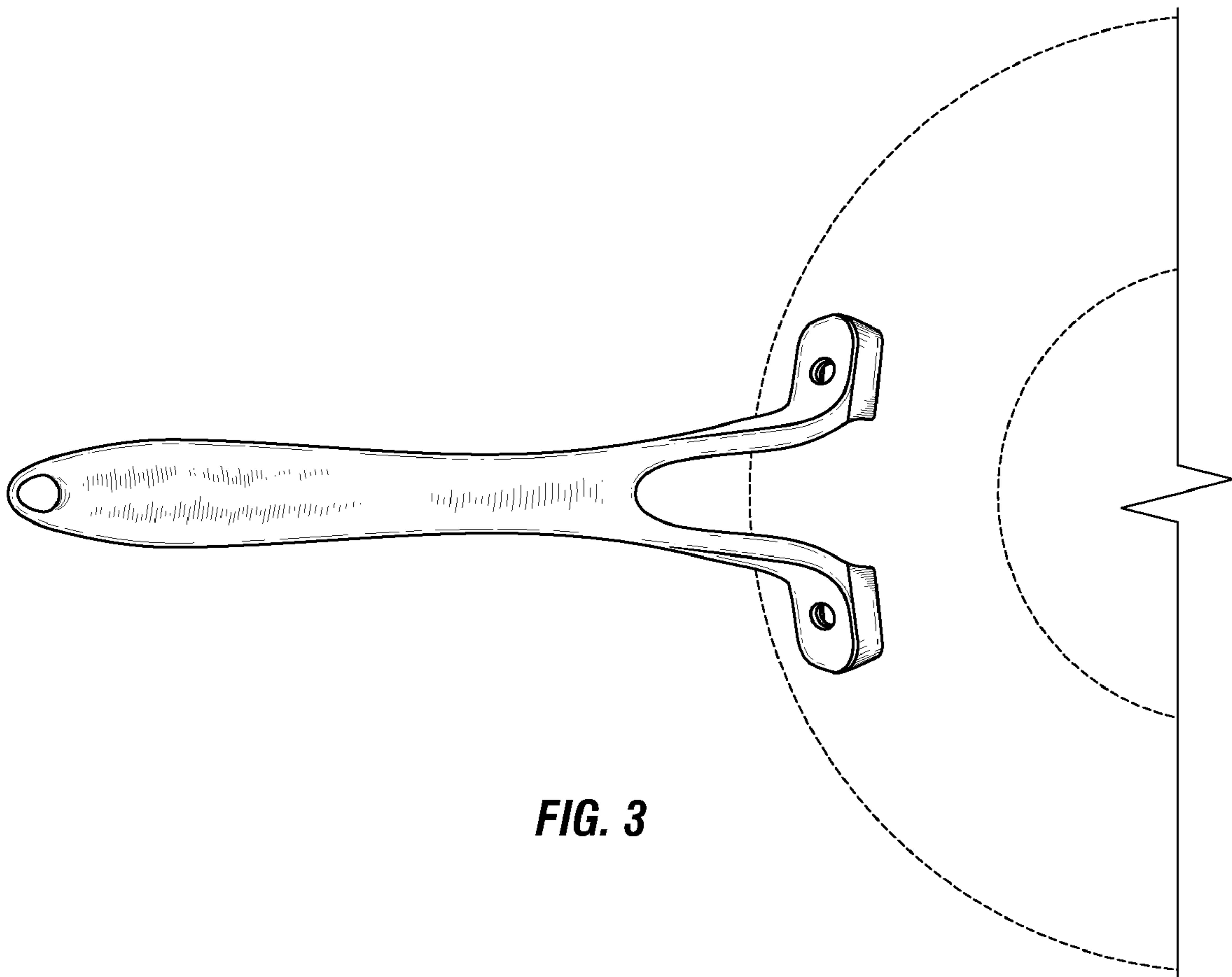


FIG. 3

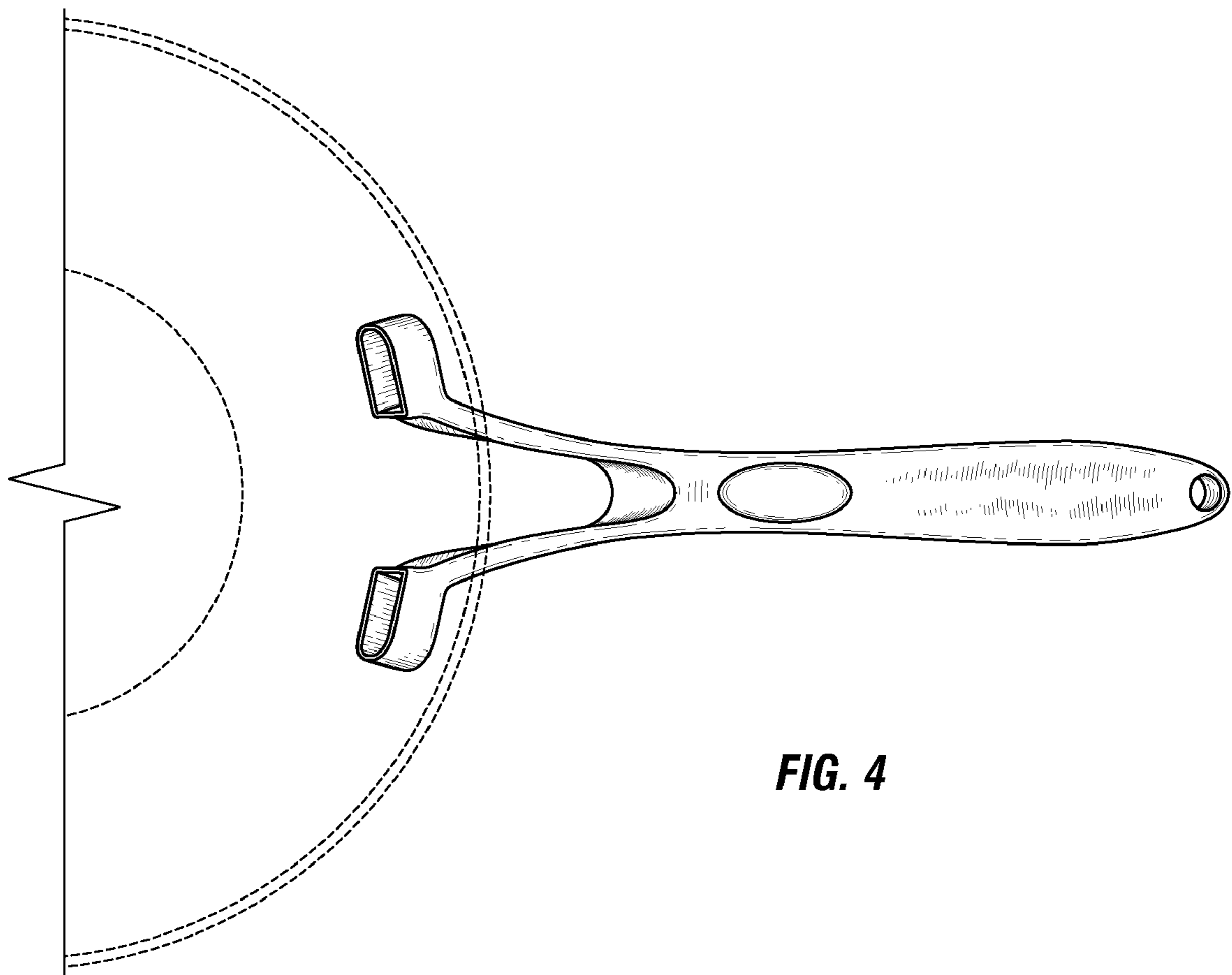


FIG. 4