



US00D555419S

(12) **United States Design Patent**  
**Reckert et al.**

(10) **Patent No.:** **US D555,419 S**

(45) **Date of Patent:** **\*\* \*Nov. 20, 2007**

(54) **ONE HANDLE TRAY**

(75) Inventors: **John Reckert**, Cooper City, FL (US);  
**Duane Crisp**, Miami, FL (US)

(73) Assignee: **Clipper Corporation**, Carson, CA (US)

(\*) Notice: This patent is subject to a terminal disclaimer.

(\*\*) Term: **14 Years**

(21) Appl. No.: **29/226,256**

(22) Filed: **Mar. 26, 2005**

(51) **LOC (8) Cl.** ..... **07-02**

(52) **U.S. Cl.** ..... **D7/361**

(58) **Field of Classification Search** ..... D7/323,  
D7/354-360, 550.1, 551.1, 552.1, 553.1,  
D7/543, 554.1, 554.2, 554.3, 393, 554.4,  
D7/602; 99/324, 339, 422, 446, 448; 220/573.1,  
220/573.2, 573.3, 574, 573.4, 912; 294/172  
See application file for complete search history.

(56) **References Cited**

**U.S. PATENT DOCUMENTS**

114,444 A \* 5/1871 Jones ..... 99/450  
1,904,925 A \* 4/1933 Perks ..... 99/423  
1,936,551 A \* 11/1933 Garrison ..... 99/339

D178,740 S \* 9/1956 Stedman ..... D7/363  
3,713,380 A \* 1/1973 Bardin ..... 99/422  
3,722,402 A \* 3/1973 Plumley ..... 99/467  
D226,838 S \* 5/1973 Ruskin ..... D30/129  
D245,059 S \* 7/1977 Bardin ..... D7/361  
D363,002 S \* 10/1995 Douglas ..... D7/543  
D380,645 S \* 7/1997 Perlini ..... D7/359  
D387,177 S \* 12/1997 Davis ..... D24/227  
D424,880 S \* 5/2000 Biber ..... D7/543  
6,990,893 B2 \* 1/2006 Cheng ..... 99/422

\* cited by examiner

*Primary Examiner*—Cathron C. Brooks

*Assistant Examiner*—Ricky Pham

(74) *Attorney, Agent, or Firm*—Marcia A. Devon

(57) **CLAIM**

The ornamental design for the one-handle tray, as shown.

**DESCRIPTION**

FIG. 1 is a perspective view of the invention;

FIG. 2 is a top plan view of the invention;

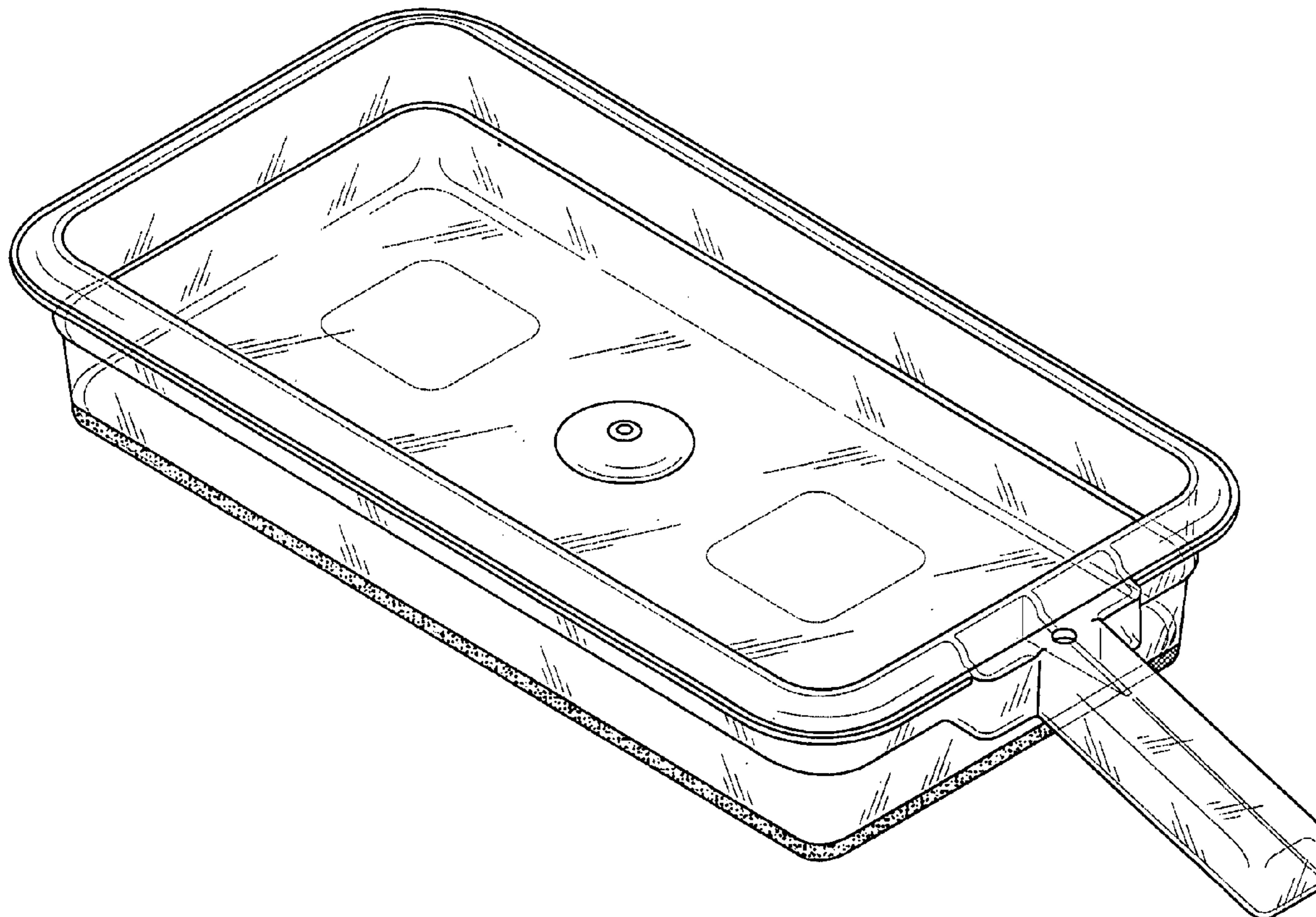
FIG. 3 is a side elevational view of the invention;

FIG. 4 is a bottom plan view of the invention;

FIG. 5 is a right end view of the invention; and,

FIG. 6 is a left end view of the invention.

**1 Claim, 3 Drawing Sheets**



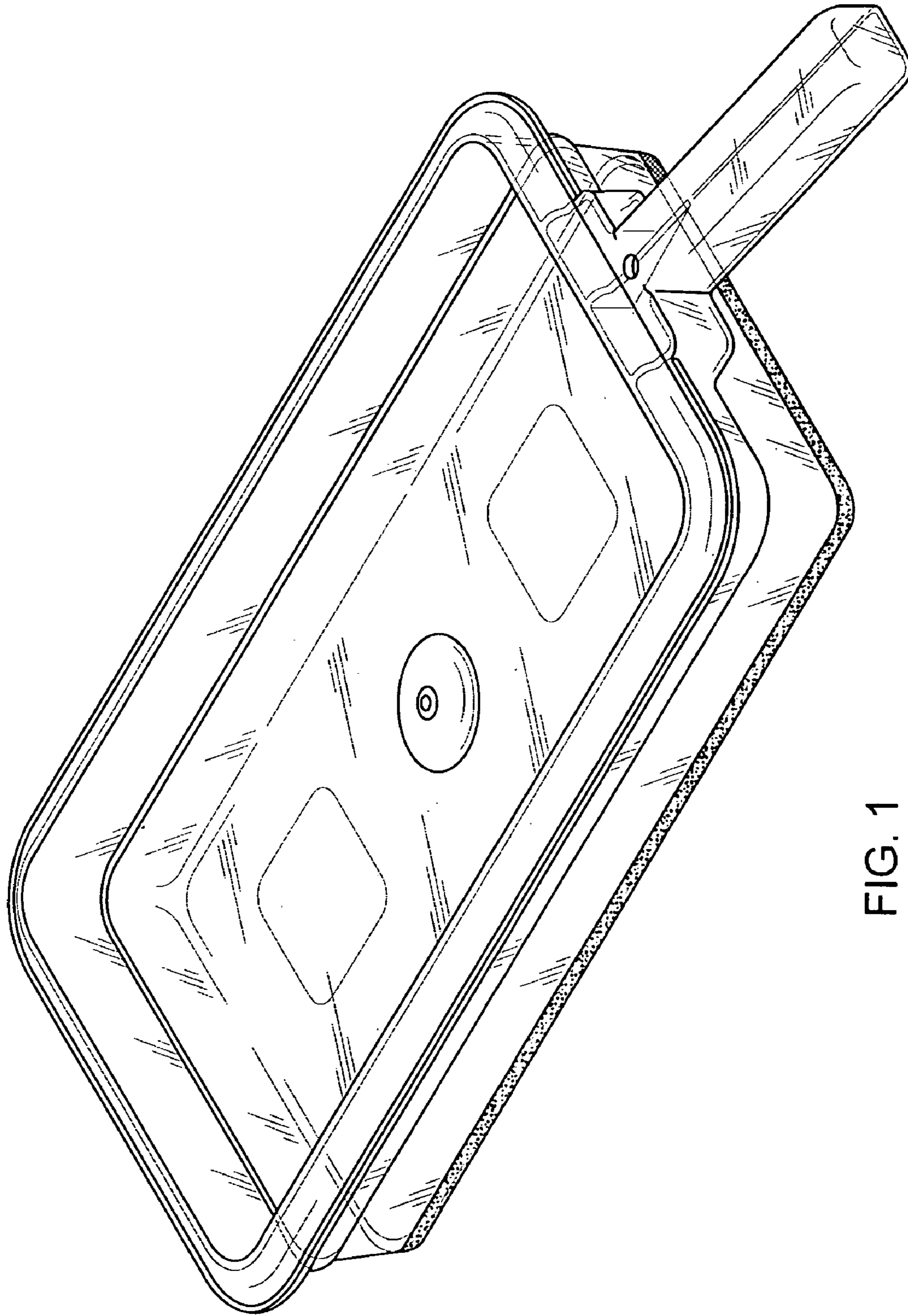


FIG. 1

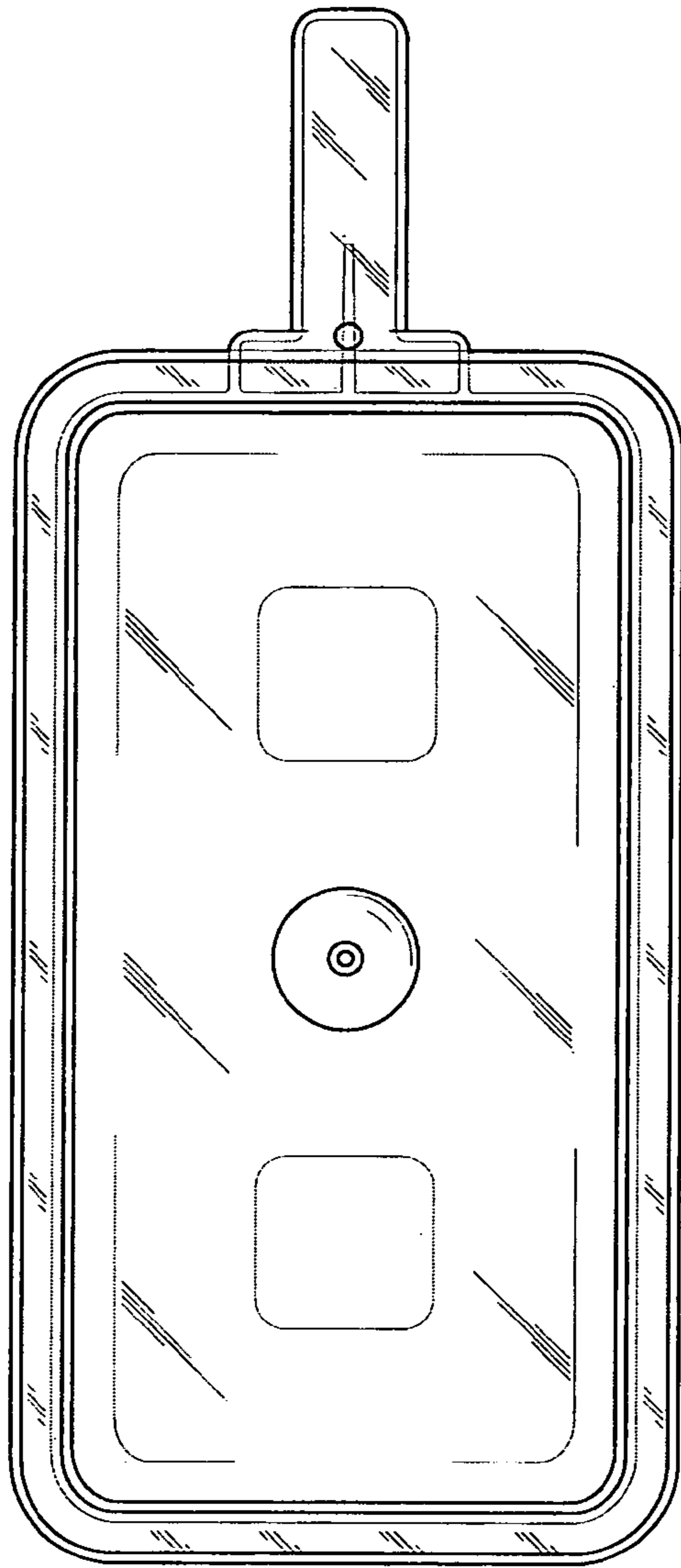


FIG. 2

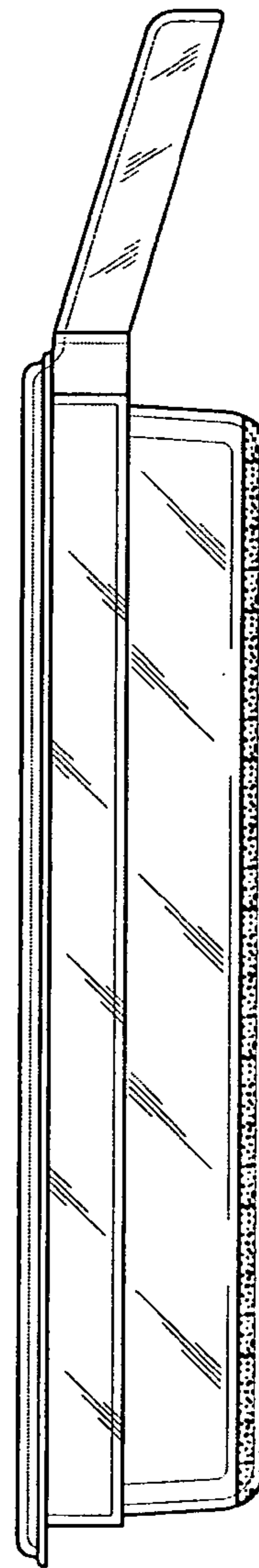


FIG. 3



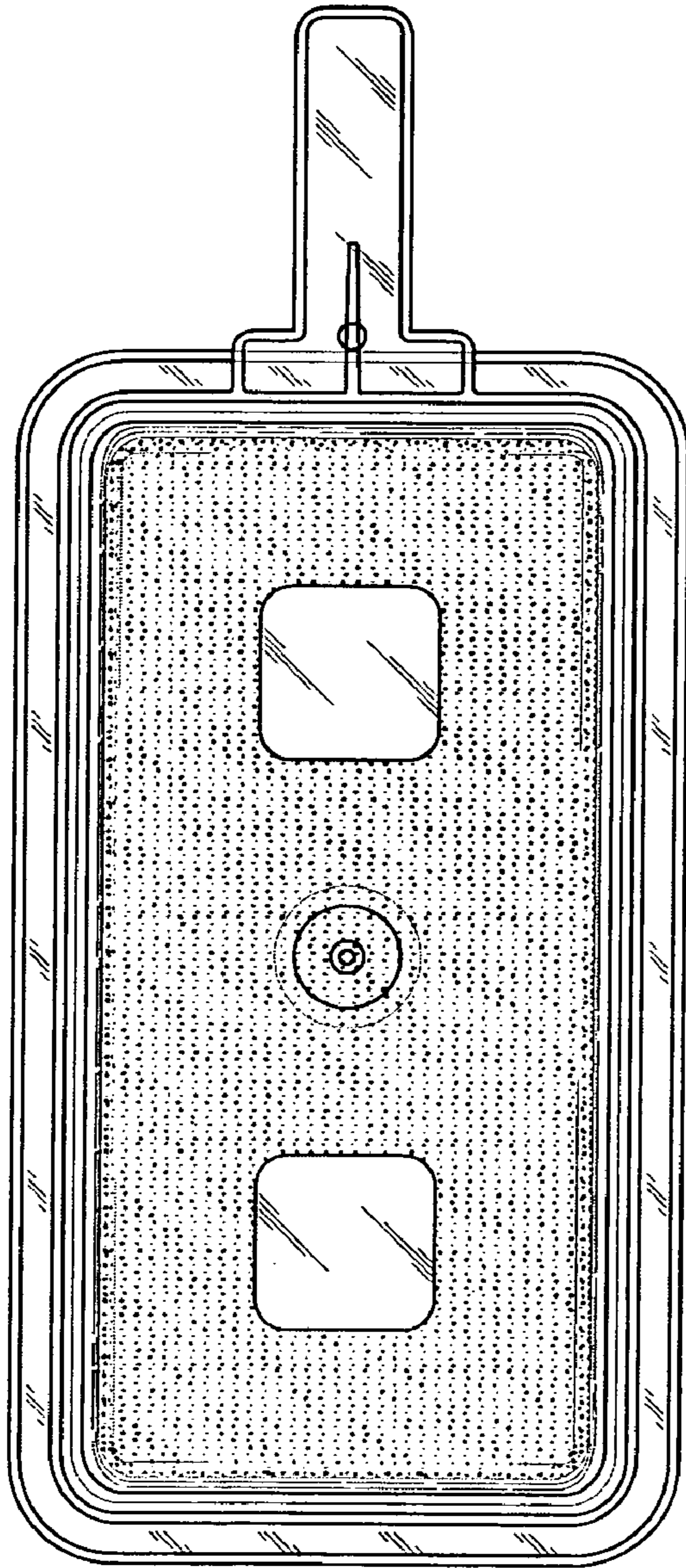


FIG. 4

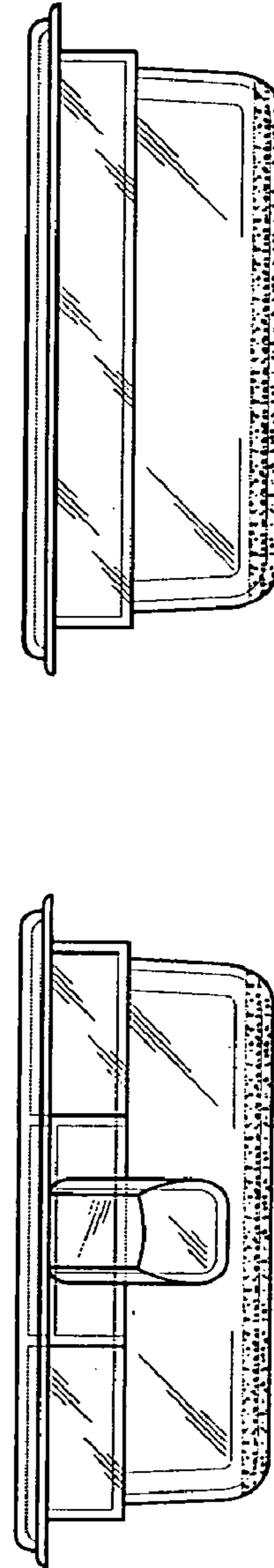


FIG. 5

FIG. 6