



US00D555416S

(12) **United States Design Patent** (10) **Patent No.:** **US D555,416 S**  
**Bodum** (45) **Date of Patent:** **\*\* Nov. 20, 2007**

(54) **CARAFE WITH LID**  
(75) Inventor: **Jørgen Bodum**, St. Niklausen (CH)  
(73) Assignee: **Pi-Design AG**, Triengen (CH)  
(\*\*) Term: **14 Years**

D332,050 S \* 12/1992 Schmidt ..... D9/502  
D409,051 S \* 5/1999 Huang ..... D7/608  
D419,719 S \* 1/2000 Garcia ..... D28/7  
D472,147 S \* 3/2003 Herrmann ..... D9/504  
D480,272 S \* 10/2003 Yang ..... D7/598  
D483,264 S \* 12/2003 Canepa ..... D9/500  
D530,968 S \* 10/2006 Bodum ..... D7/300.1

(21) Appl. No.: **29/261,852**  
(22) Filed: **Jun. 21, 2006**

\* cited by examiner

*Primary Examiner*—M. N. Pandozzi  
(74) *Attorney, Agent, or Firm*—Cowan, Liebowitz & Latman, PC

(30) **Foreign Application Priority Data**  
Dec. 21, 2005 (DK) ..... DA 2005 00371

(57) **CLAIM**

(51) **LOC (8) Cl.** ..... **07-01**  
(52) **U.S. Cl.** ..... **D7/317; D7/316**  
(58) **Field of Classification Search** ..... D7/316,  
D7/312, 300.1, 300, 598; 215/6, 10, 400,  
215/12.1; D11/152, 146, 157; D26/104;  
D9/545, 544, 500, 503, 523, 505, 537, 552,  
D9/565

The ornamental design for a carafe with lid, as shown and described.

See application file for complete search history.

**DESCRIPTION**

(56) **References Cited**

FIG. 1 is a perspective view of the carafe with lid showing my design thereof;  
FIG. 2 is a front view thereof;  
FIG. 3 is a back view thereof;  
FIG. 4 is a left side view thereof;  
FIG. 5 is a right side view thereof;  
FIG. 6 is a top view thereof;  
FIG. 7 is a bottom view thereof; and,  
FIG. 8 is a cross-sectional view thereof taken along line 8—8 of FIG. 6.

**U.S. PATENT DOCUMENTS**

2,049,645 A \* 8/1936 Fleckles ..... 47/41.01  
D124,880 S \* 1/1941 Teunisz ..... D9/500  
2,987,212 A \* 6/1961 Scanlon ..... 220/495.03  
D223,437 S \* 4/1972 Llurch ..... D9/504  
D231,685 S \* 5/1974 Beckman ..... D7/317  
D240,887 S \* 8/1976 Daenen ..... D7/316  
D300,107 S \* 3/1989 Trombly ..... D7/317

**1 Claim, 8 Drawing Sheets**

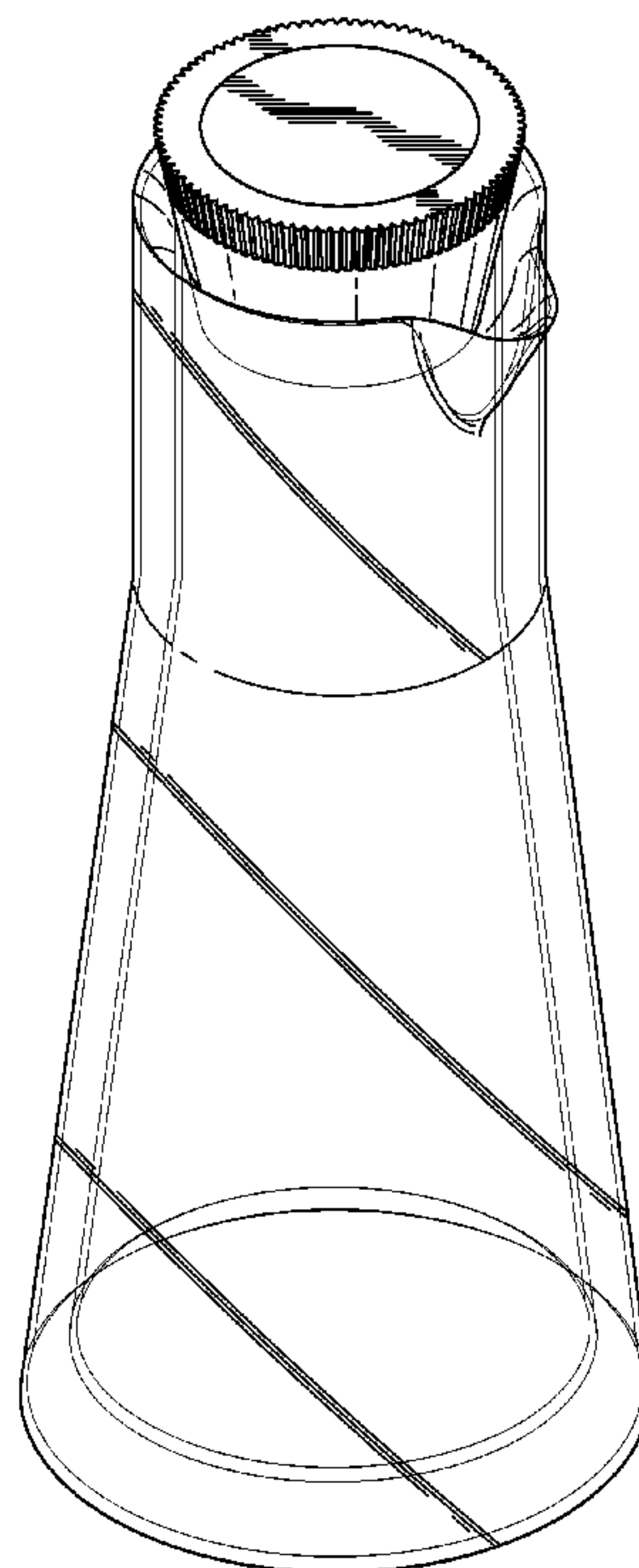
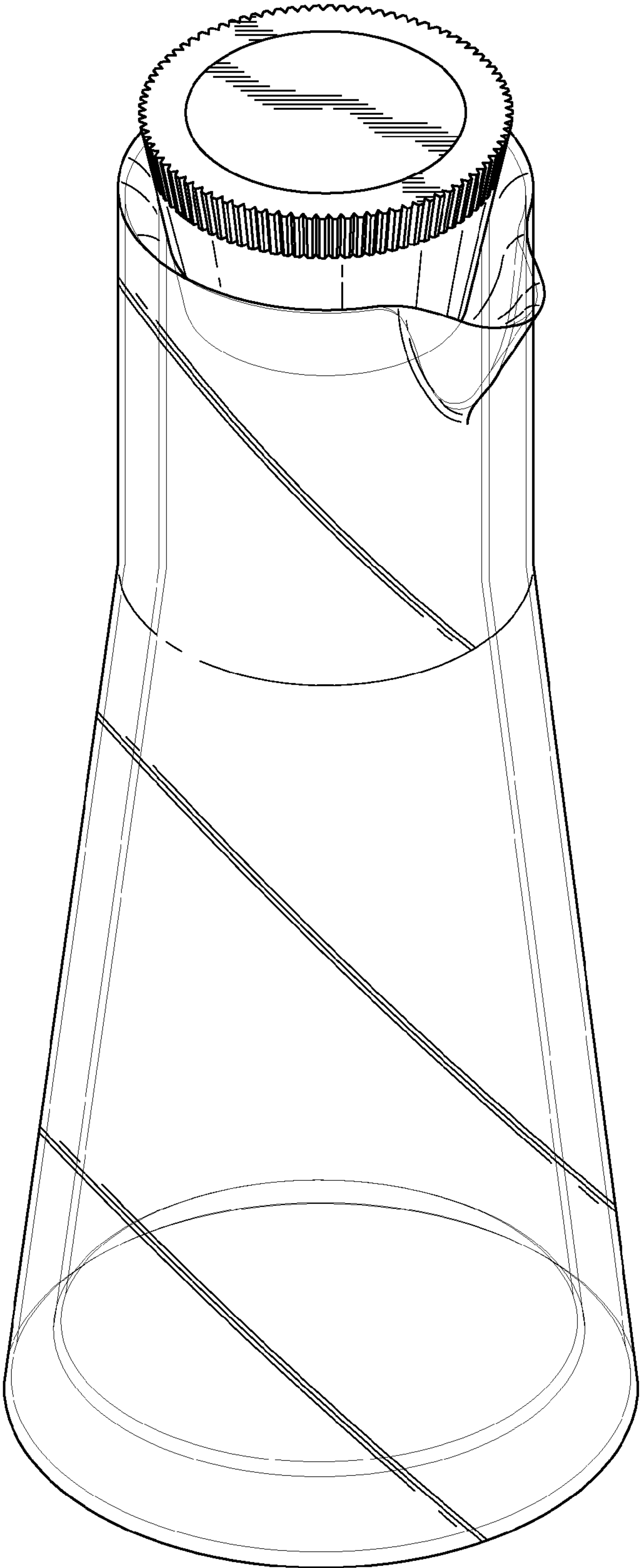


FIG. 1



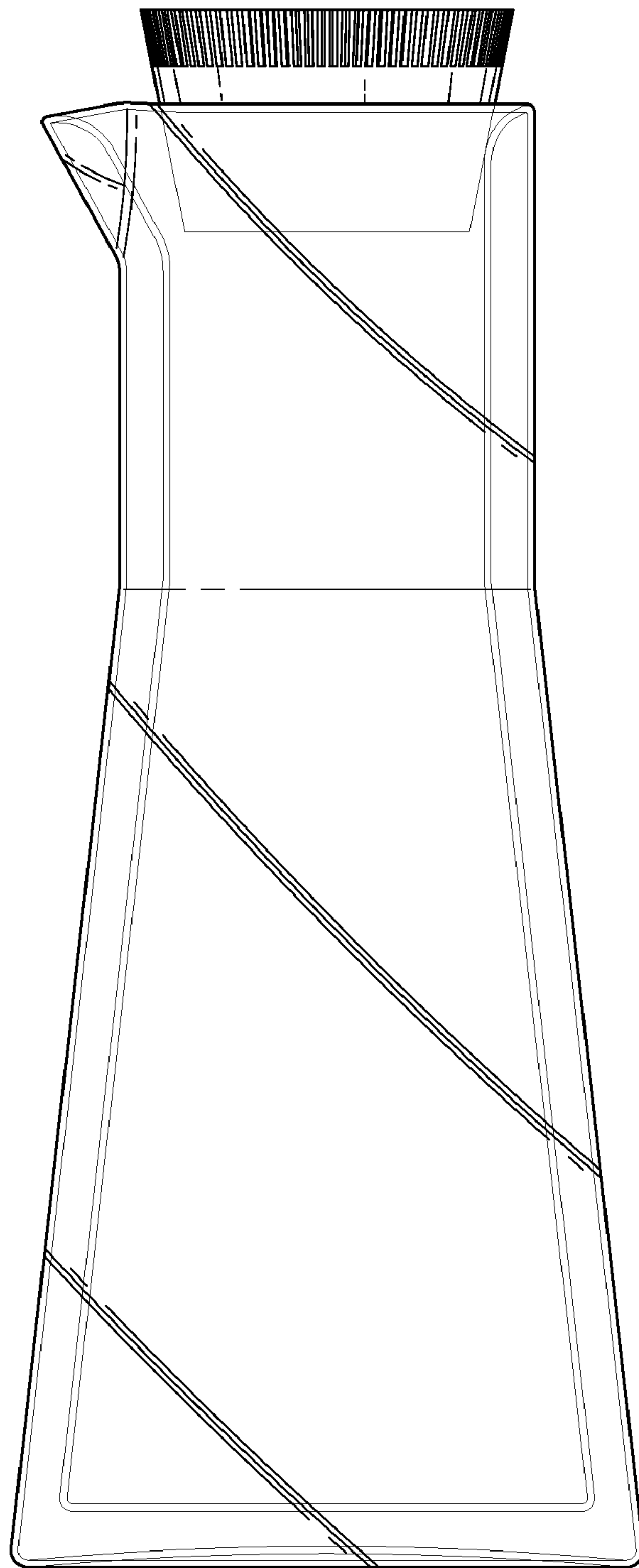


FIG. 2

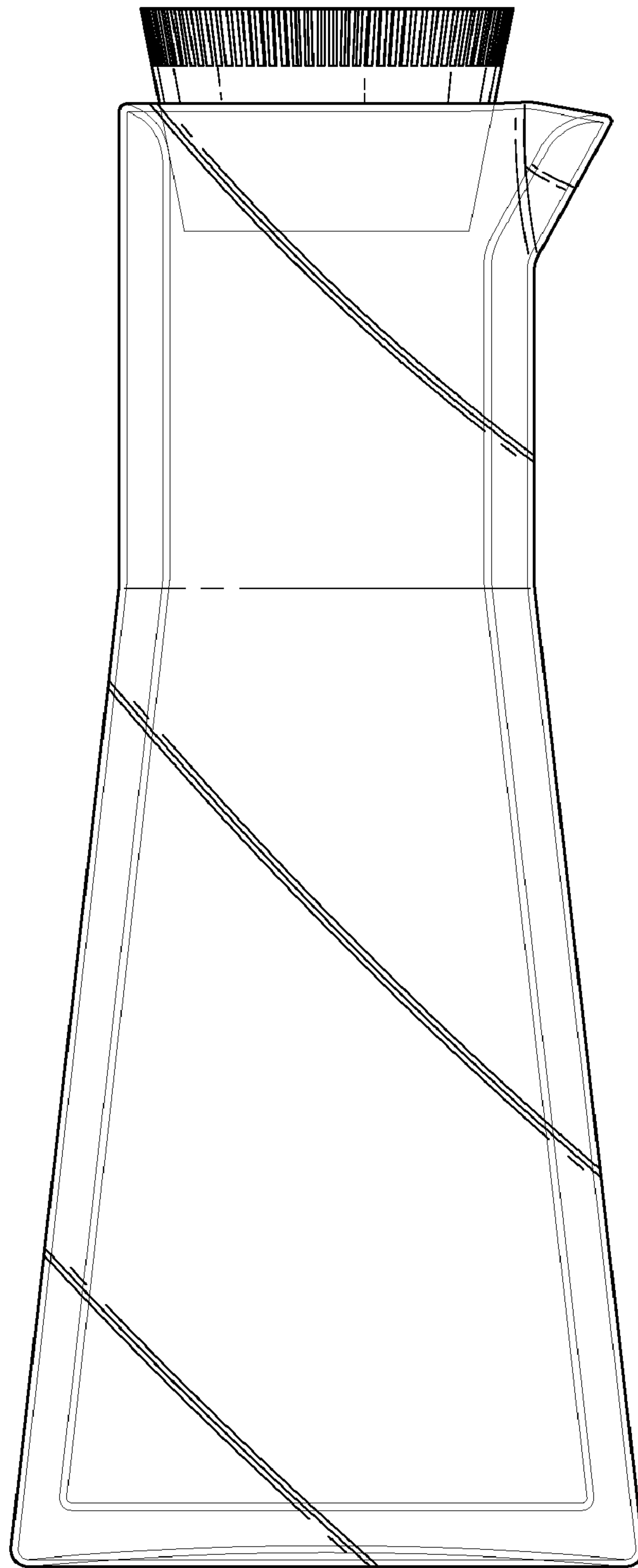


FIG. 3

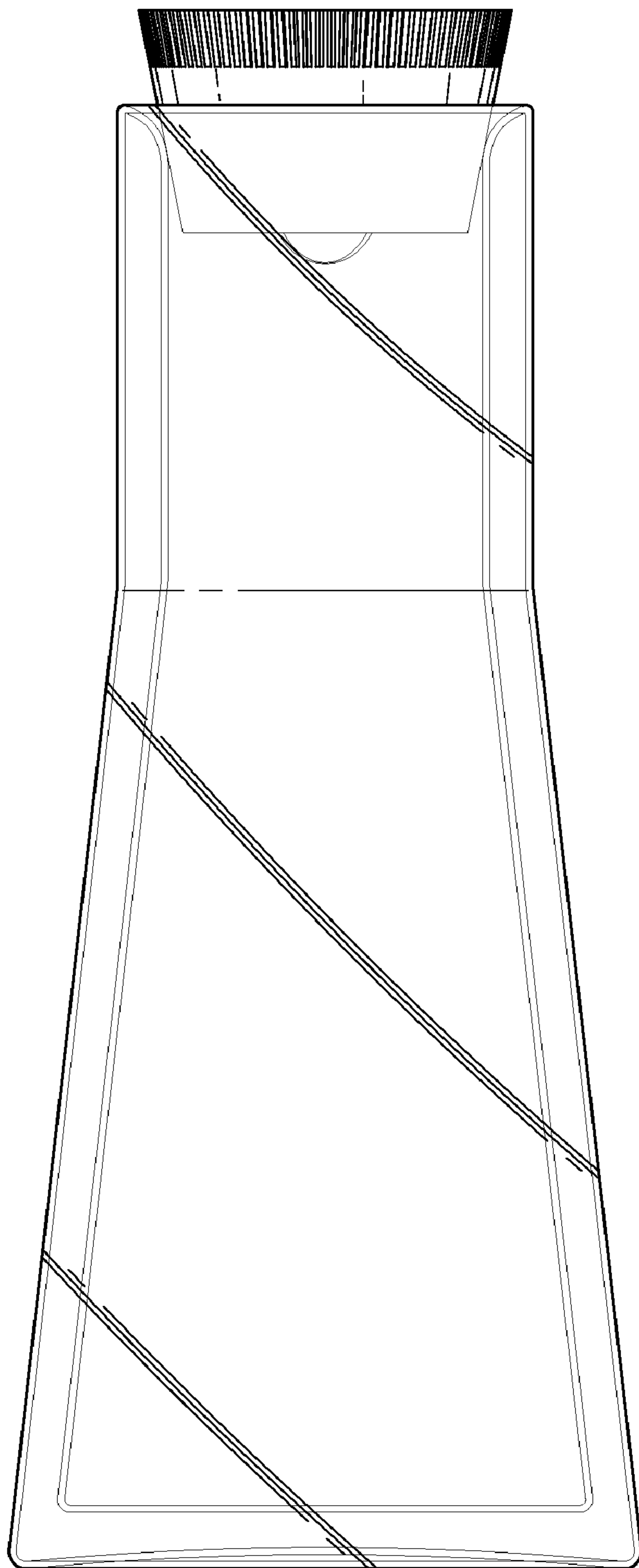


FIG. 4

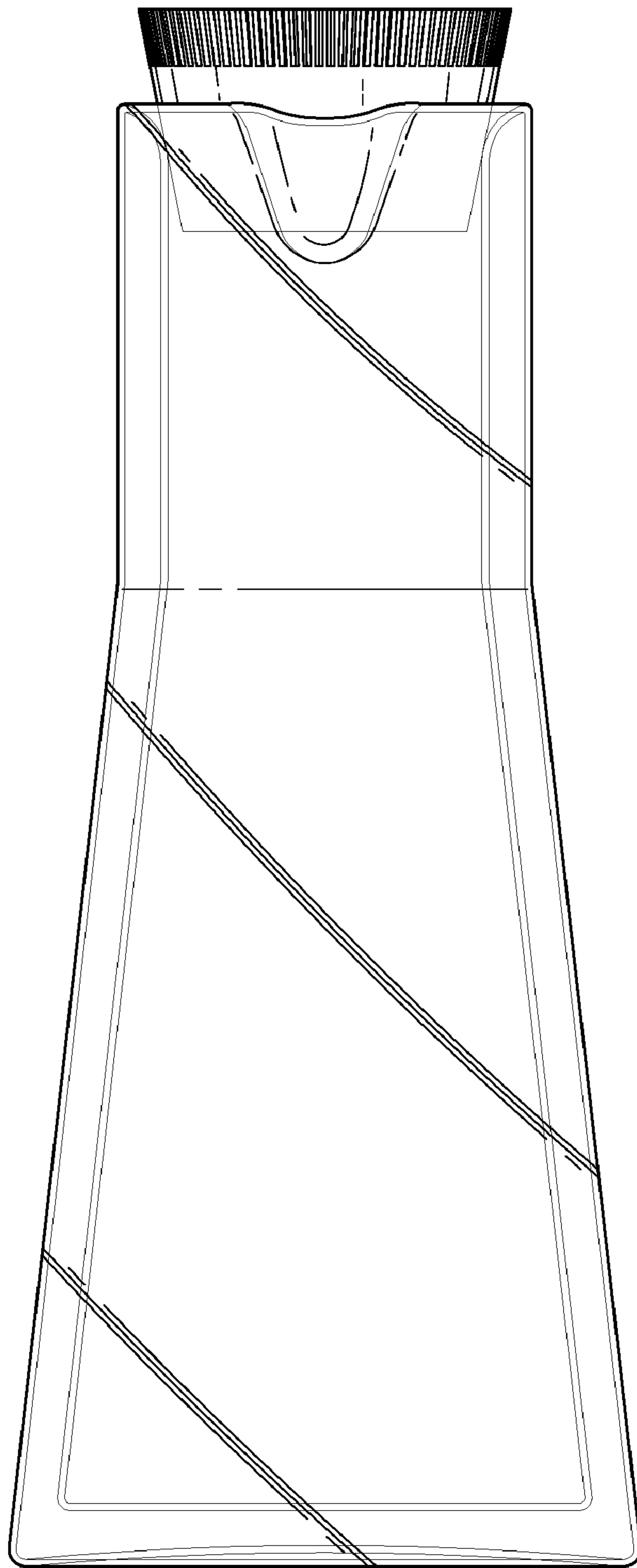


FIG. 5



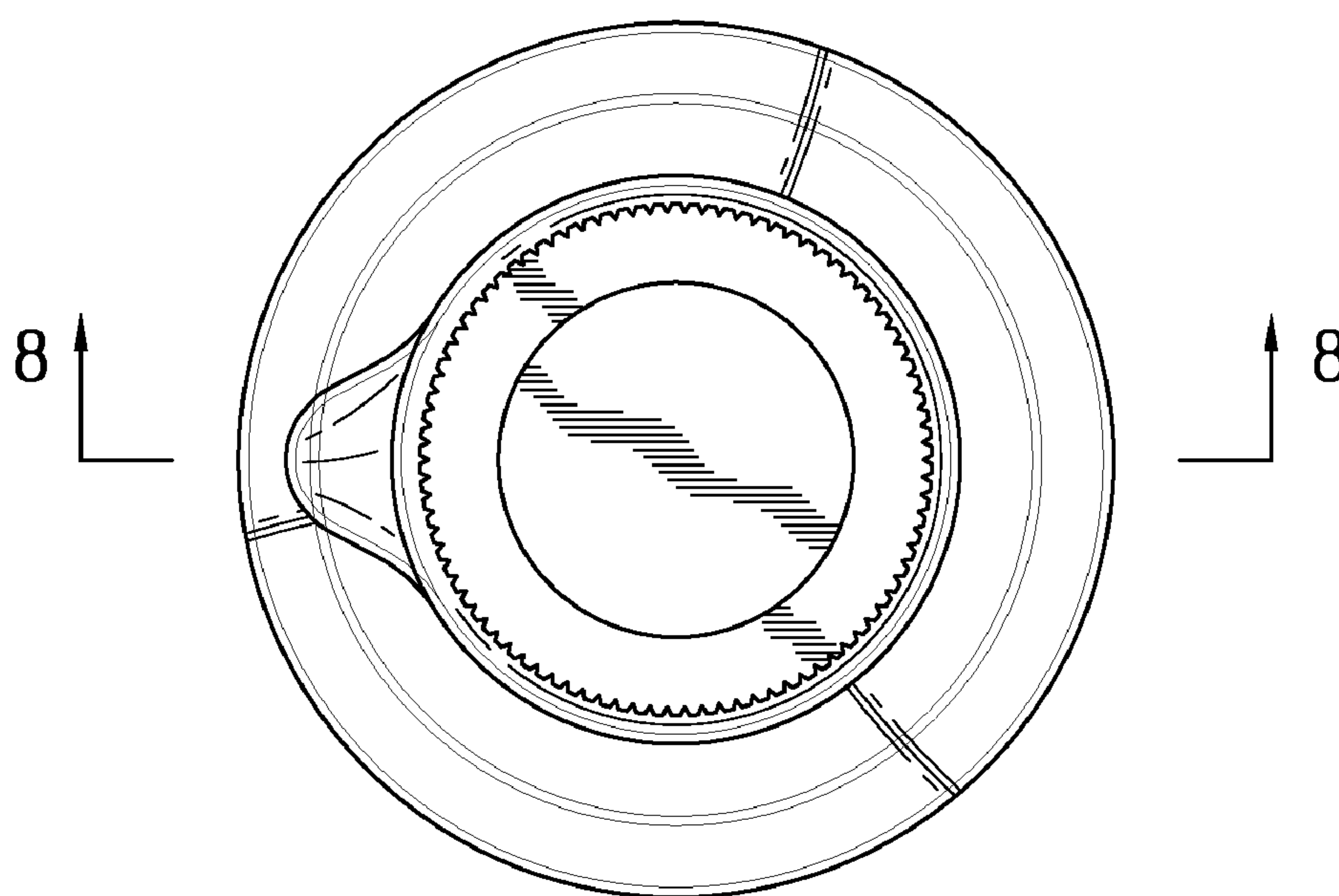
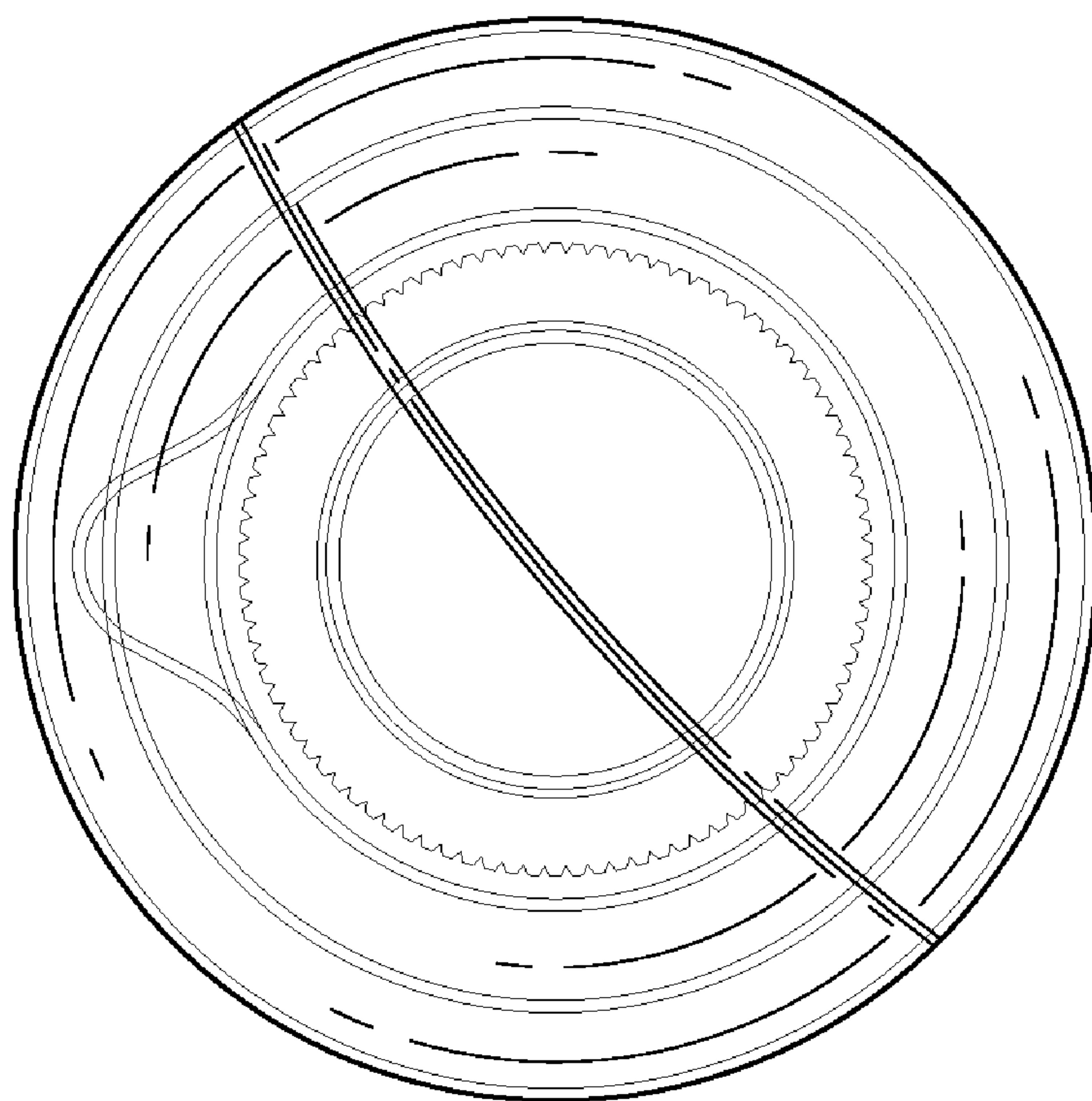


FIG. 6



**FIG. 7**



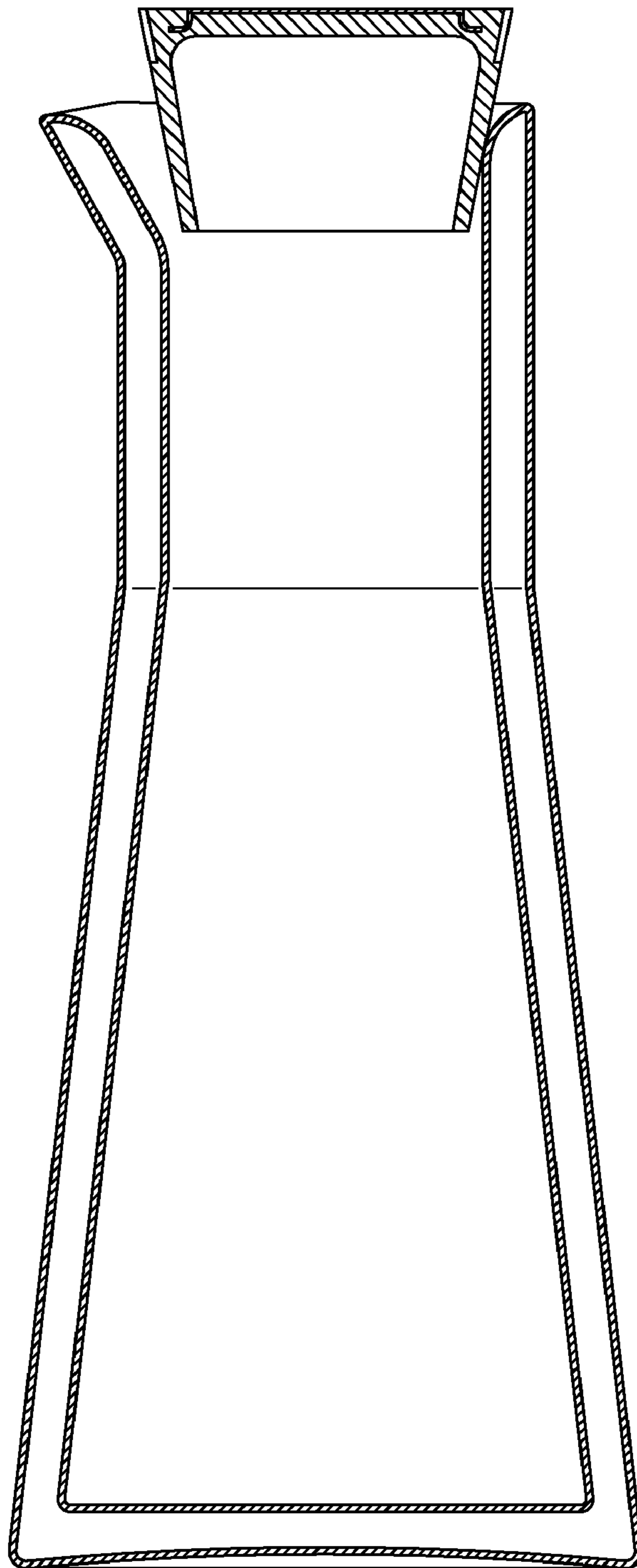


FIG. 8