



US00D555414S

(12) **United States Design Patent**
Lin

(10) **Patent No.:** **US D555,414 S**

(45) **Date of Patent:** **** Nov. 20, 2007**

(54) **COFFEE MAKER**

(75) Inventor: **Yu-Yuan Lin**, Tainan (TW)

(73) Assignee: **Uni-Splendor Corp.**, Tainan (TW)

(**) Term: **14 Years**

(21) Appl. No.: **29/258,133**

(22) Filed: **Apr. 17, 2006**

(51) **LOC (8) Cl.** **07-01**

(52) **U.S. Cl.** **D7/309; D7/306; D7/311**

(58) **Field of Classification Search** D7/300,
D7/309-311, 306-308, 305; 222/146.1,
222/169, 367; 99/284, 280, 293, 298 R,
99/295, 300

See application file for complete search history.

(56) **References Cited**

U.S. PATENT DOCUMENTS

D193,083 S *	6/1962	Hopecraft	D7/311
D449,197 S *	10/2001	Byler	D7/309
D495,190 S *	8/2004	Picozza et al.	D7/309
D499,599 S *	12/2004	Morrison	D7/309
D502,627 S *	3/2005	Cahen	D7/306
D502,628 S *	3/2005	Ledingham et al.	D7/309
D514,865 S *	2/2006	Steiner	D7/309

D514,867 S *	2/2006	Steiner	D7/309
D525,816 S *	8/2006	Felty	D7/309
D533,007 S *	12/2006	Felty	D7/309
D544,286 S *	6/2007	Cahen	D7/306

* cited by examiner

Primary Examiner—M. N. Pandozzi

(74) *Attorney, Agent, or Firm*—Alan Kamrath; Kamrath & Associates P.A.

(57) **CLAIM**

The ornamental design for a coffee maker, as shown and described.

DESCRIPTION

FIG. 1 is a perspective view of a coffee maker showing my new design;

FIG. 2 is a front side elevational view thereof;

FIG. 3 is a rear side elevational view thereof;

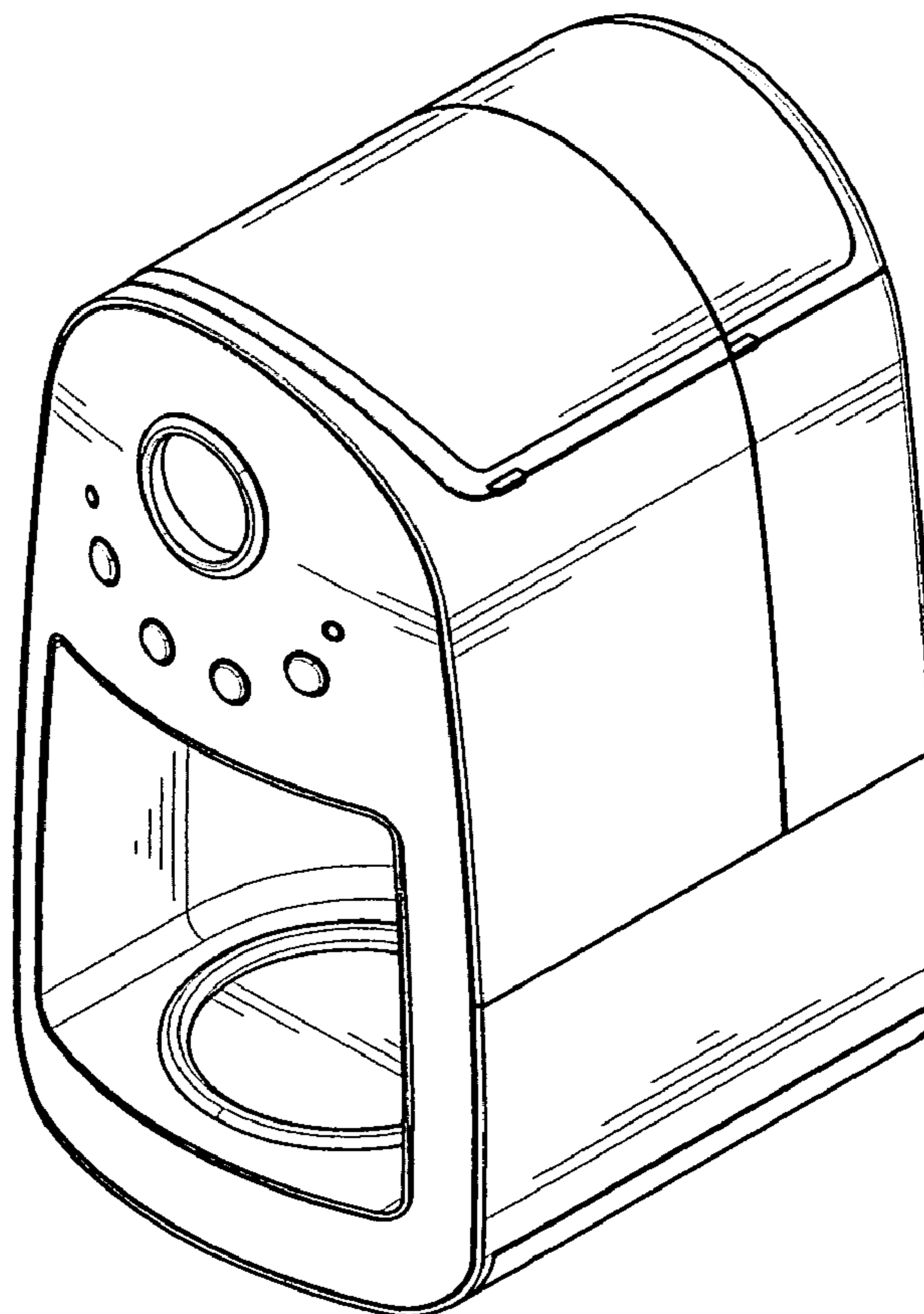
FIG. 4 is a left side elevational view thereof;

FIG. 5 is a right side elevational view thereof;

FIG. 6 is a top plan view thereof; and,

FIG. 7 is a bottom plan view thereof.

1 Claim, 4 Drawing Sheets



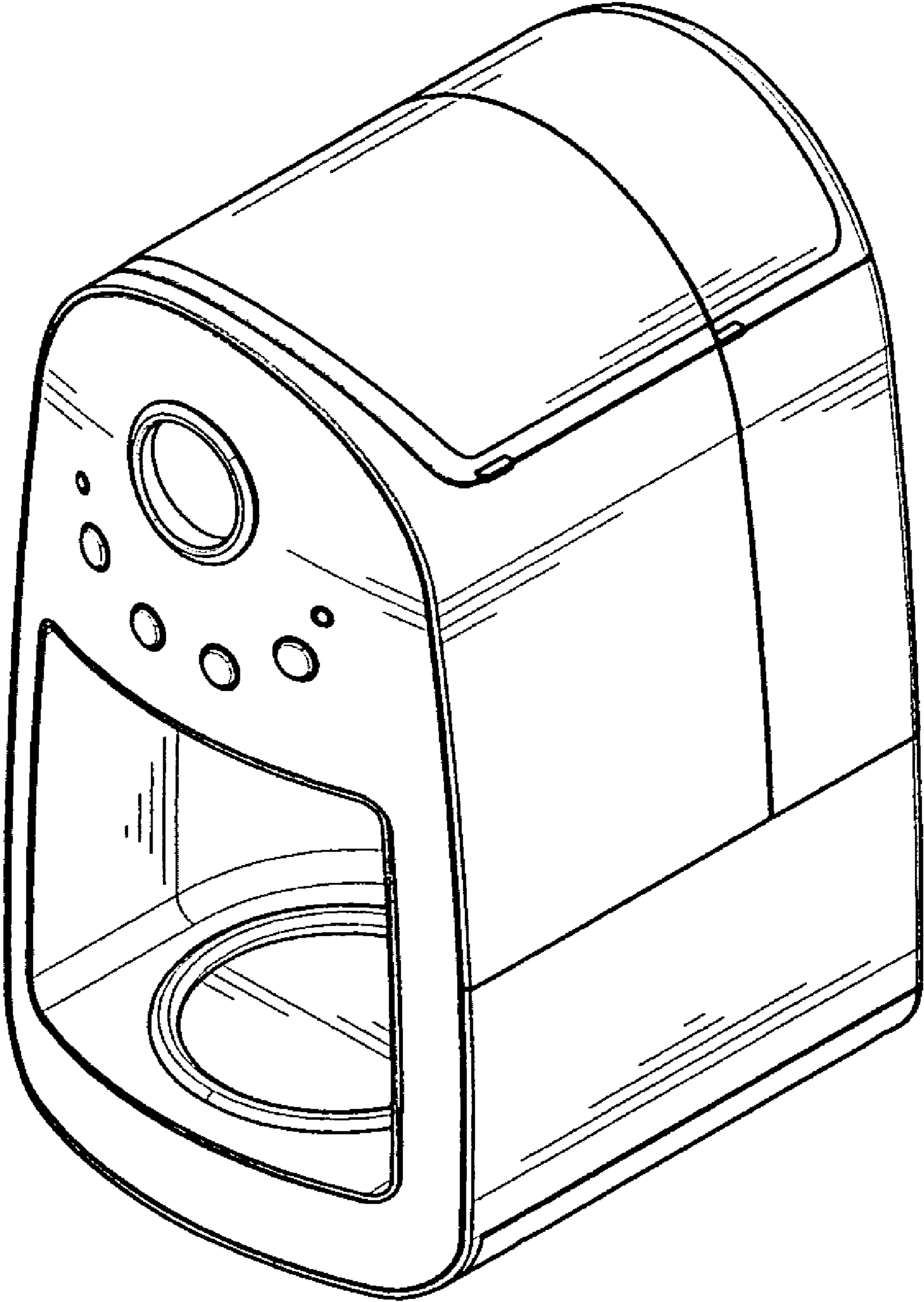


FIG. 1

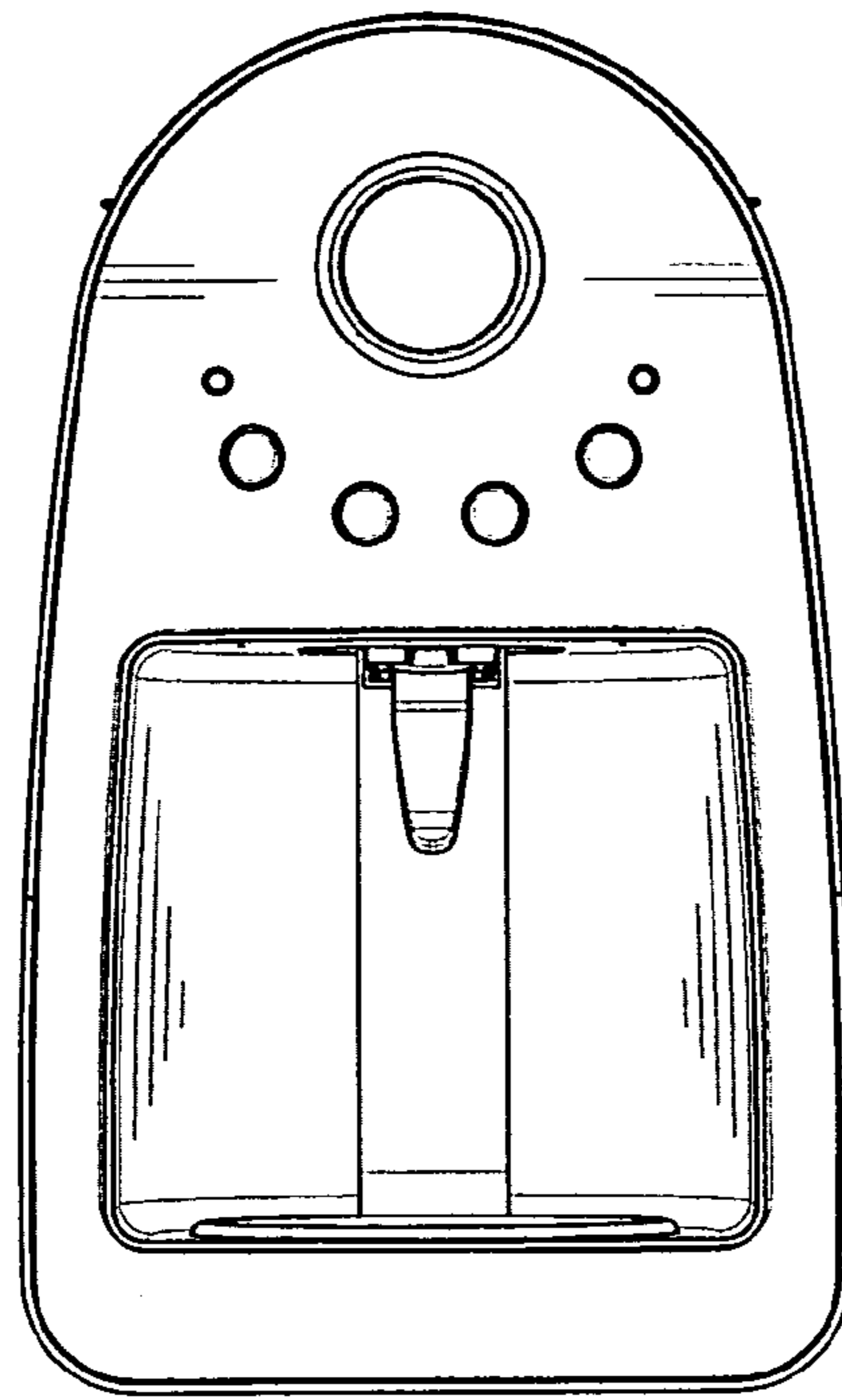


FIG. 2

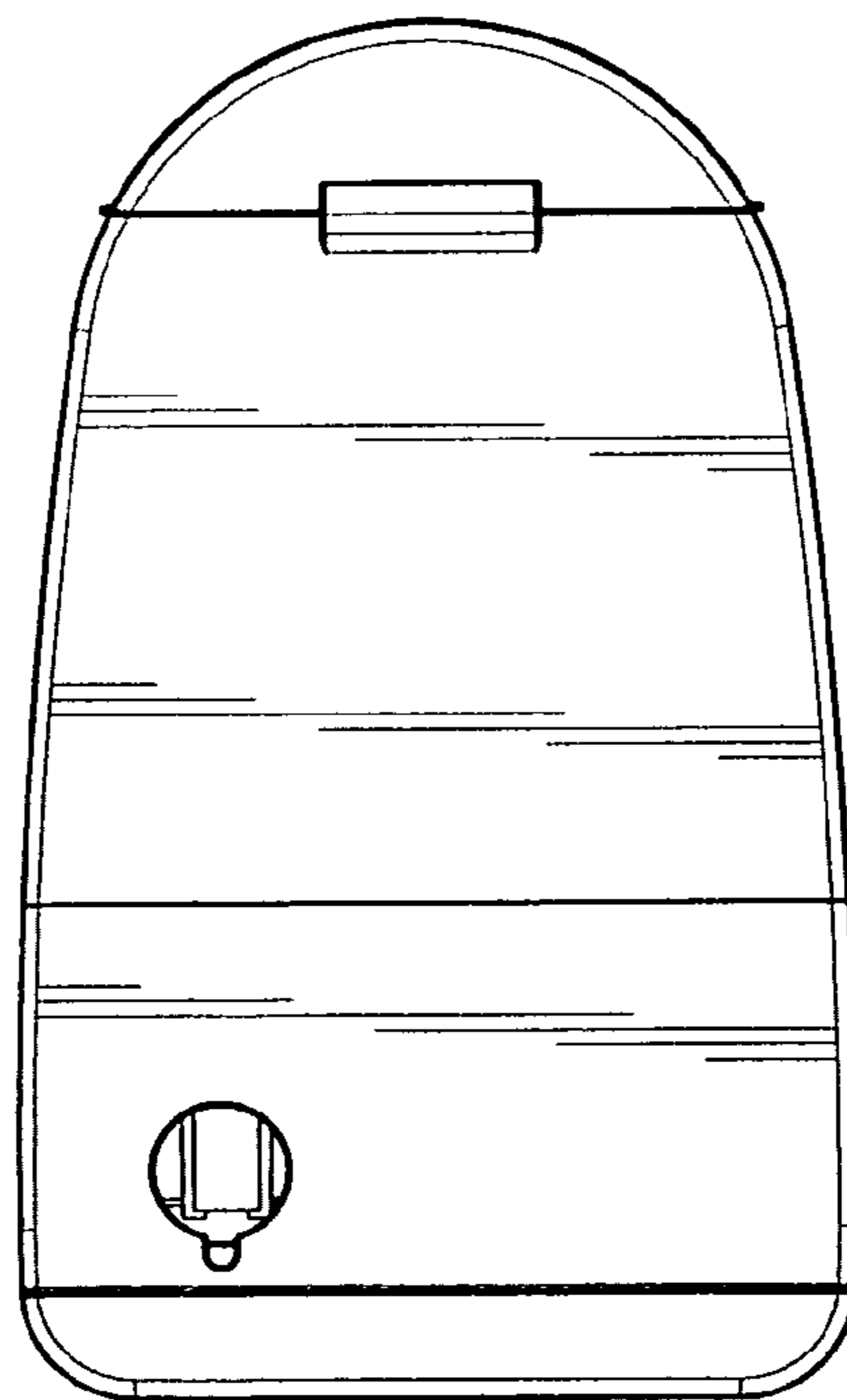


FIG. 3

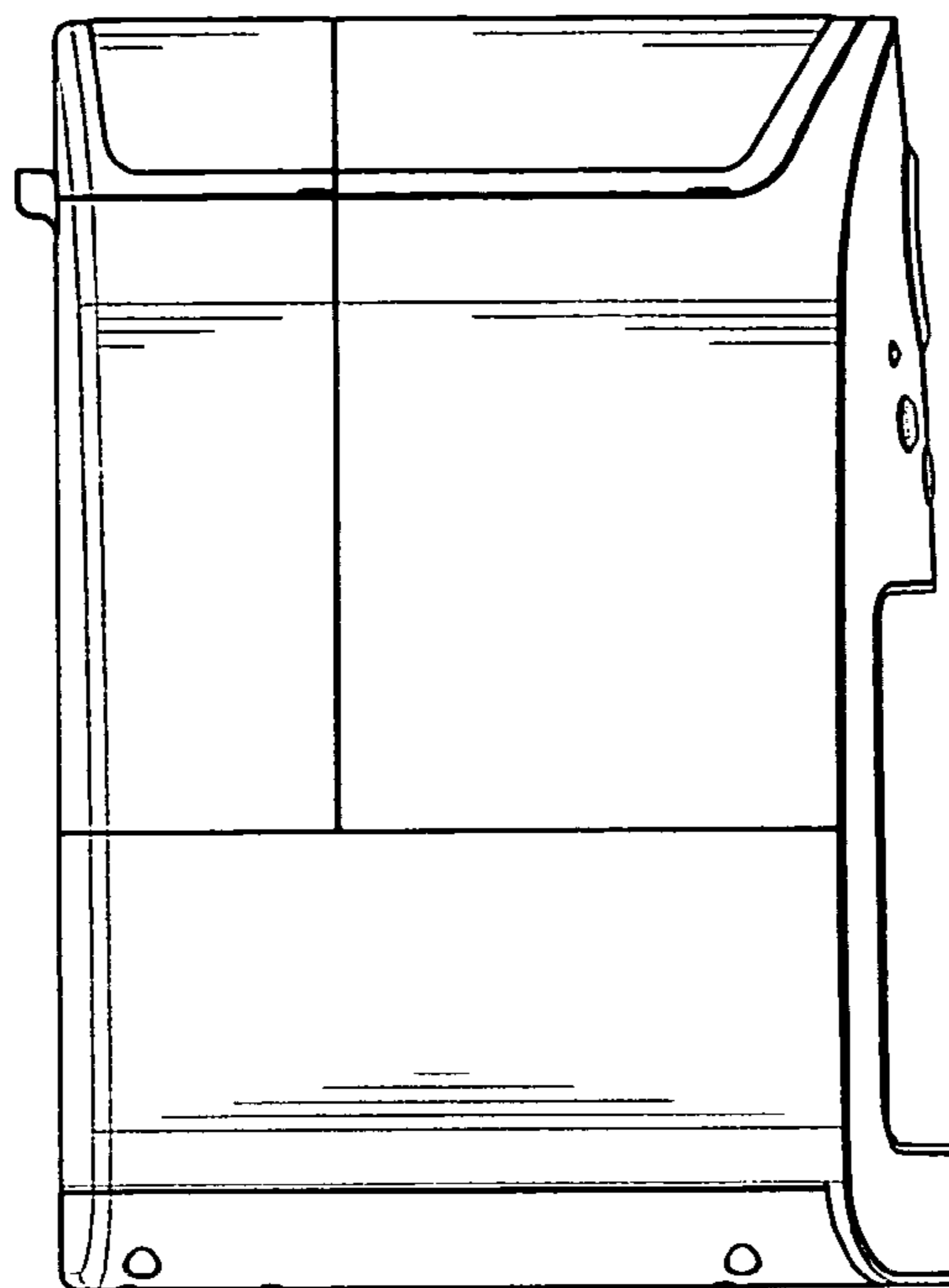


FIG. 4

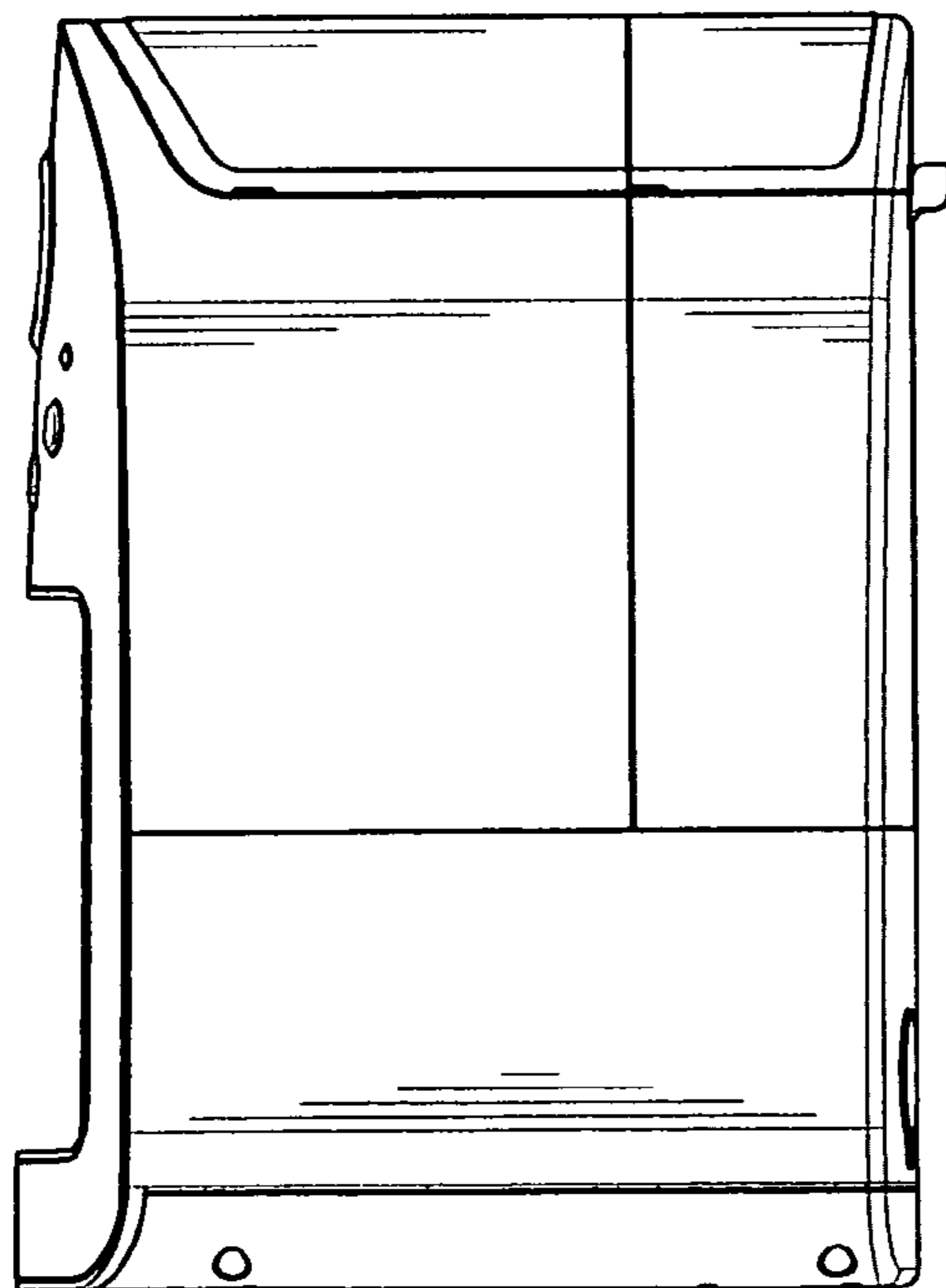


FIG. 5

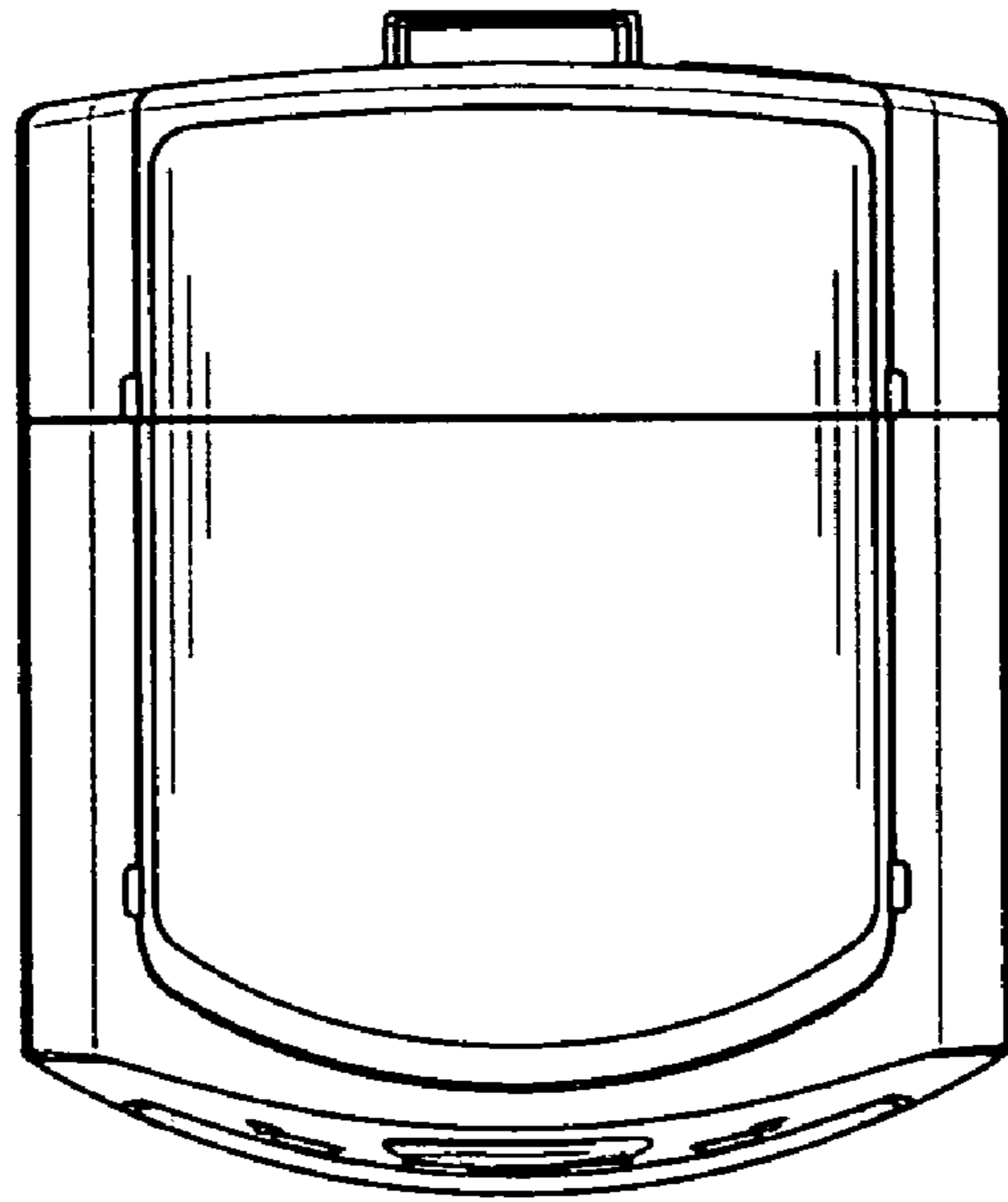


FIG. 6

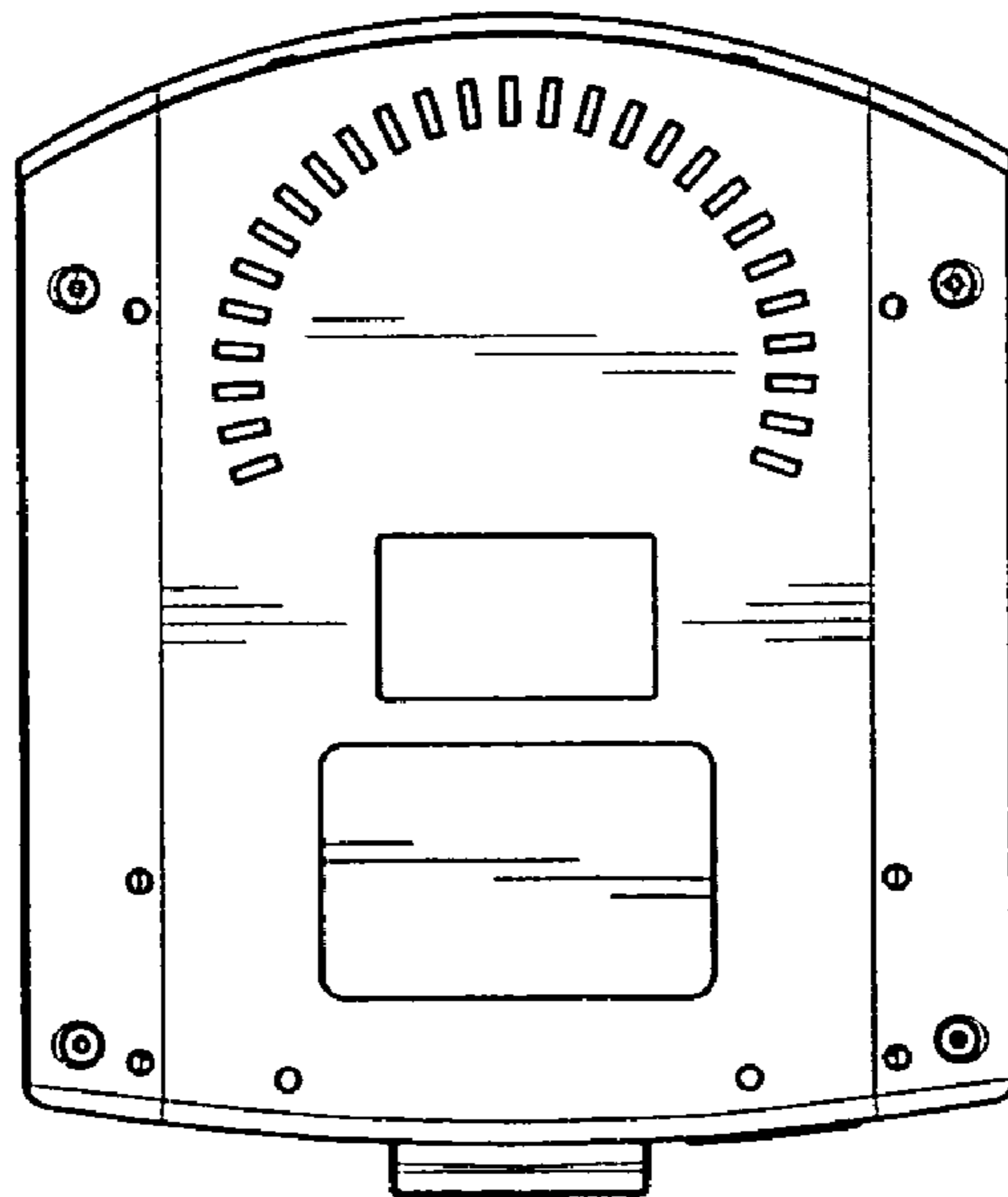


FIG. 7