



US00D555412S

(12) **United States Design Patent**  
**Van Elk et al.**

(10) **Patent No.:** **US D555,412 S**  
(45) **Date of Patent:** **\*\* Nov. 20, 2007**

(54) **COFFEE BREWING APPARATUS**

D535,513 S \* 1/2007 Zimmermann ..... D7/309

(75) Inventors: **Alfred Hendrik Van Elk**, Zoetermeer (NL); **Marinus Burcht Holwerda**, Arnhem (NL)

(73) Assignees: **Martex Holland B.V.**, Veenendaal (NL); **Electrical & Electrical Ltd.**, Hong Kong (CN); **Coval Art Tec Limited**, Limassol (CY)

(\*\*) Term: **14 Years**

(21) Appl. No.: **29/239,656**

(22) Filed: **Sep. 30, 2005**

(30) **Foreign Application Priority Data**

Aug. 10, 2005 (EM) ..... 000385414

(51) **LOC (8) Cl.** ..... **07-01**

(52) **U.S. Cl.** ..... **D7/309; D7/311**

(58) **Field of Classification Search** ..... D7/309–311,  
D7/306–308; D20/4, 8; 99/279, 300, 304,  
99/305

See application file for complete search history.

(56) **References Cited**

**U.S. PATENT DOCUMENTS**

D163,805 S *	7/1951	Johnson	.....	D20/4
D211,773 S *	7/1968	Schroeder	.....	D15/85
D255,529 S *	6/1980	Dziekonski	.....	D7/309
D293,179 S *	12/1987	Balisteri	.....	D6/474
D337,915 S *	8/1993	Kahlcke	.....	D7/308
D355,562 S *	2/1995	DeFelip	.....	D7/309
D373,281 S *	9/1996	Simmons	.....	D7/309
D377,576 S *	1/1997	Amiel	.....	D7/309
D378,884 S *	4/1997	Guadalupi	.....	D7/392
5,862,738 A *	1/1999	Warne	.....	99/281
D437,525 S *	2/2001	Strohmeier	.....	D7/397
D452,106 S *	12/2001	Seiffert	.....	D7/305
D454,161 S *	3/2002	Sandor et al.	.....	D20/8
D498,637 S *	11/2004	Heilstedt et al.	.....	D7/306

**FOREIGN PATENT DOCUMENTS**

EM	000136239-0001	5/2004
EM	000136239-0002	5/2004
EM	000136239-0003	5/2004
EM	000136239-0004	5/2004
EM	000136239-0005	5/2004
EM	000136239-0006	5/2004
EM	000136239-0007	5/2004
EM	000136239-0008	5/2004
EM	000361720-0001	8/2005

\* cited by examiner

*Primary Examiner*—M. N. Pandozzi

(74) *Attorney, Agent, or Firm*—Steven M. Koehler; Westman, Champlin & Kelly, P.A.

(57) **CLAIM**

The ornamental design for a coffee brewing apparatus, as shown and described.

**DESCRIPTION**

FIG. 1 is a perspective view of a third embodiment of a coffee brewing apparatus;

FIG. 2 is a right elevational view of the coffee brewing apparatus of FIG. 1;

FIG. 3 is a left elevational view of the coffee brewing apparatus of FIG. 1;

FIG. 4 is a front elevational view of the coffee brewing apparatus of FIG. 1;

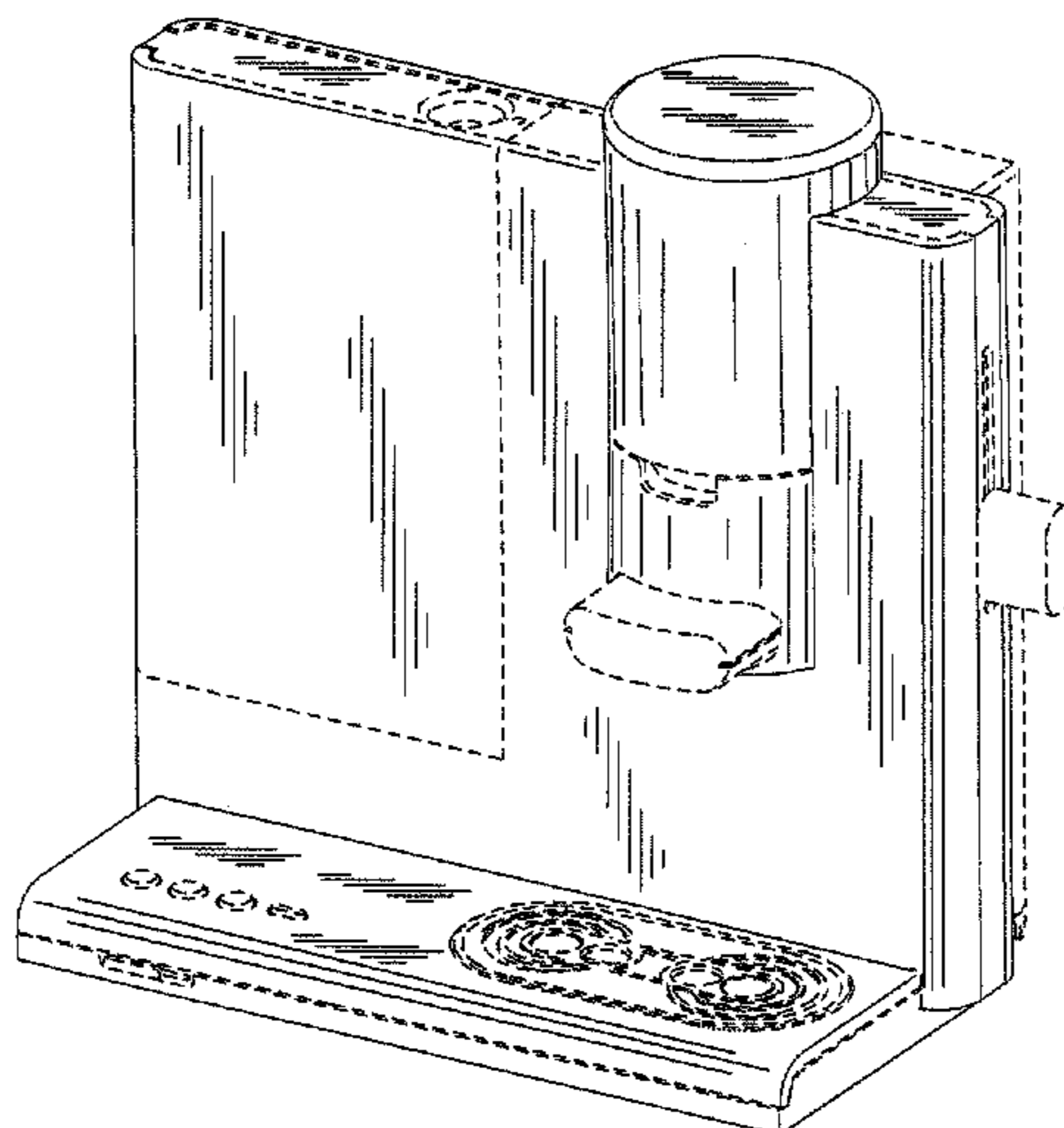
FIG. 5 is a rear elevational view of the coffee brewing apparatus of FIG. 1;

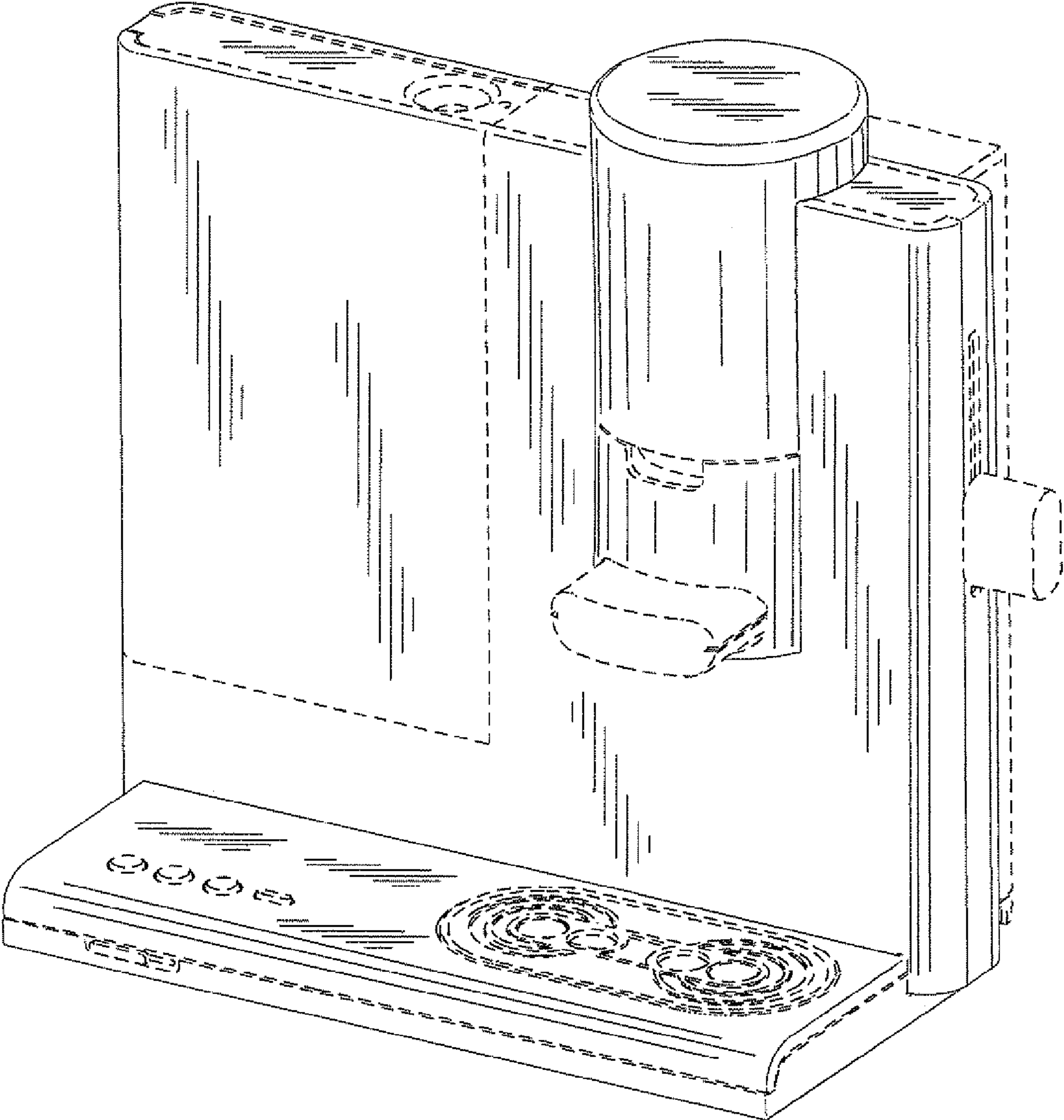
FIG. 6 is a top plan view of the coffee brewing apparatus of FIG. 1; and,

FIG. 7 is a bottom plan view of the coffee brewing apparatus of FIG. 1.

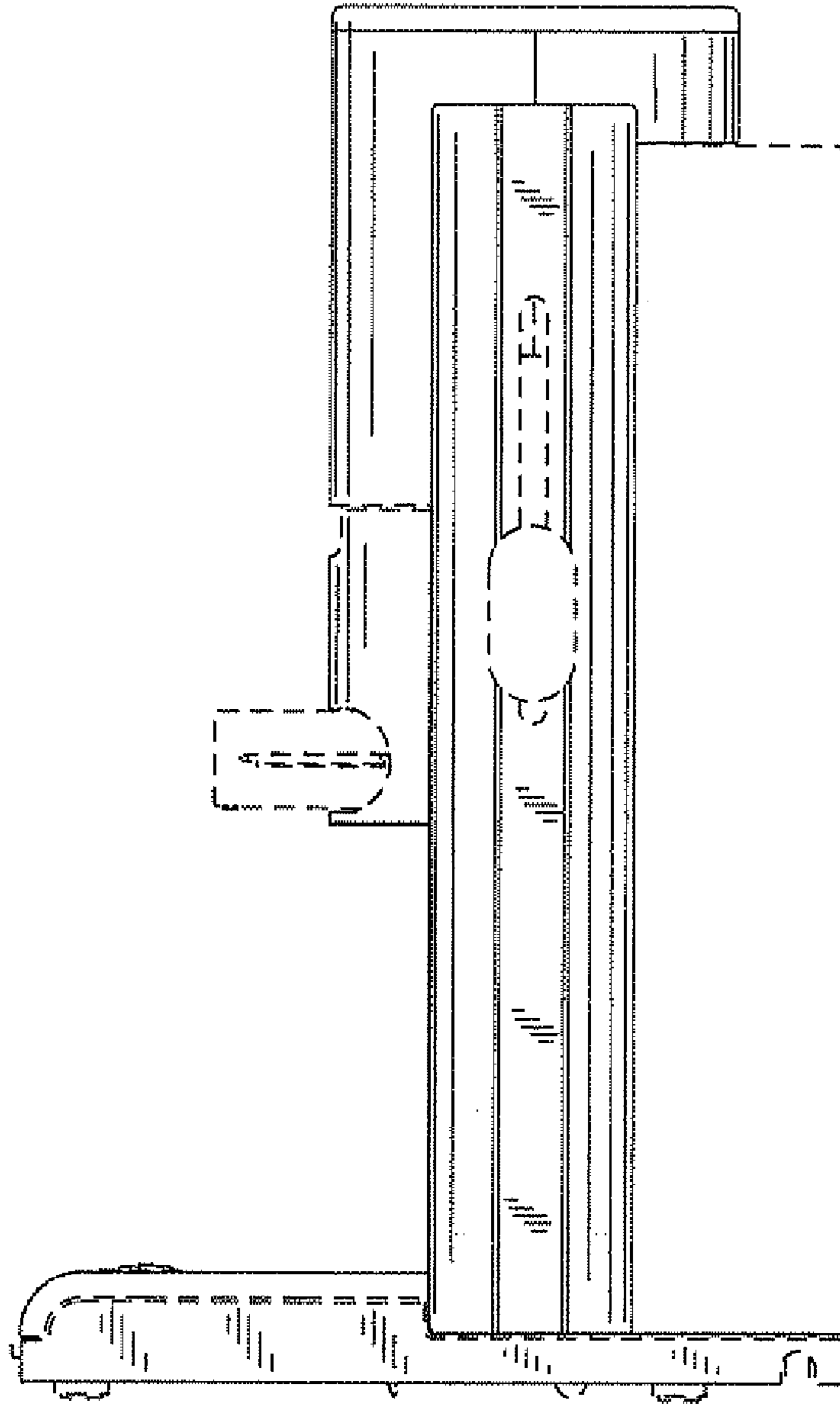
The broken lines in the drawings are for illustrative purposes only and form no part of the claimed design.

**1 Claim, 6 Drawing Sheets**

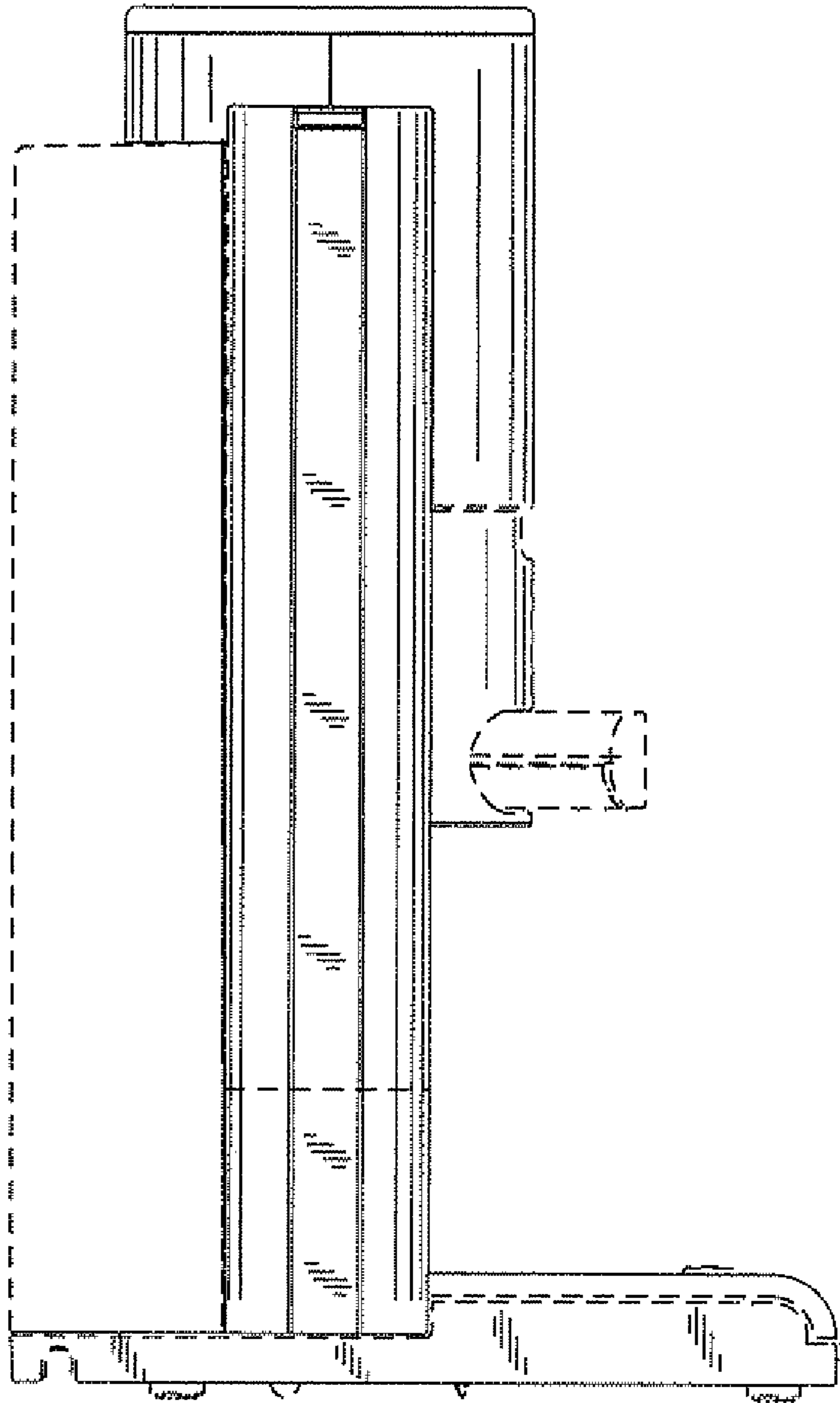




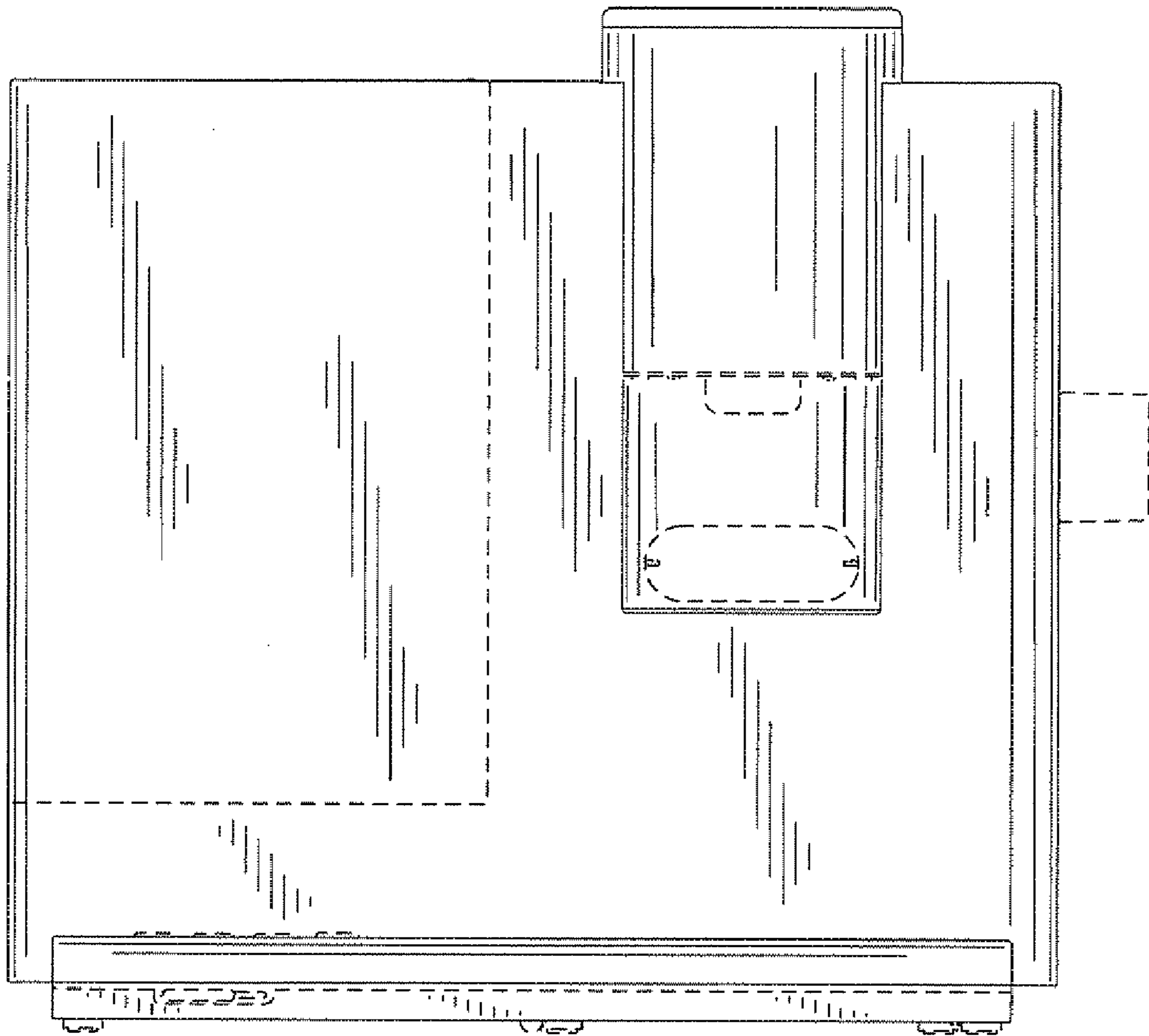
*Fig. 1*



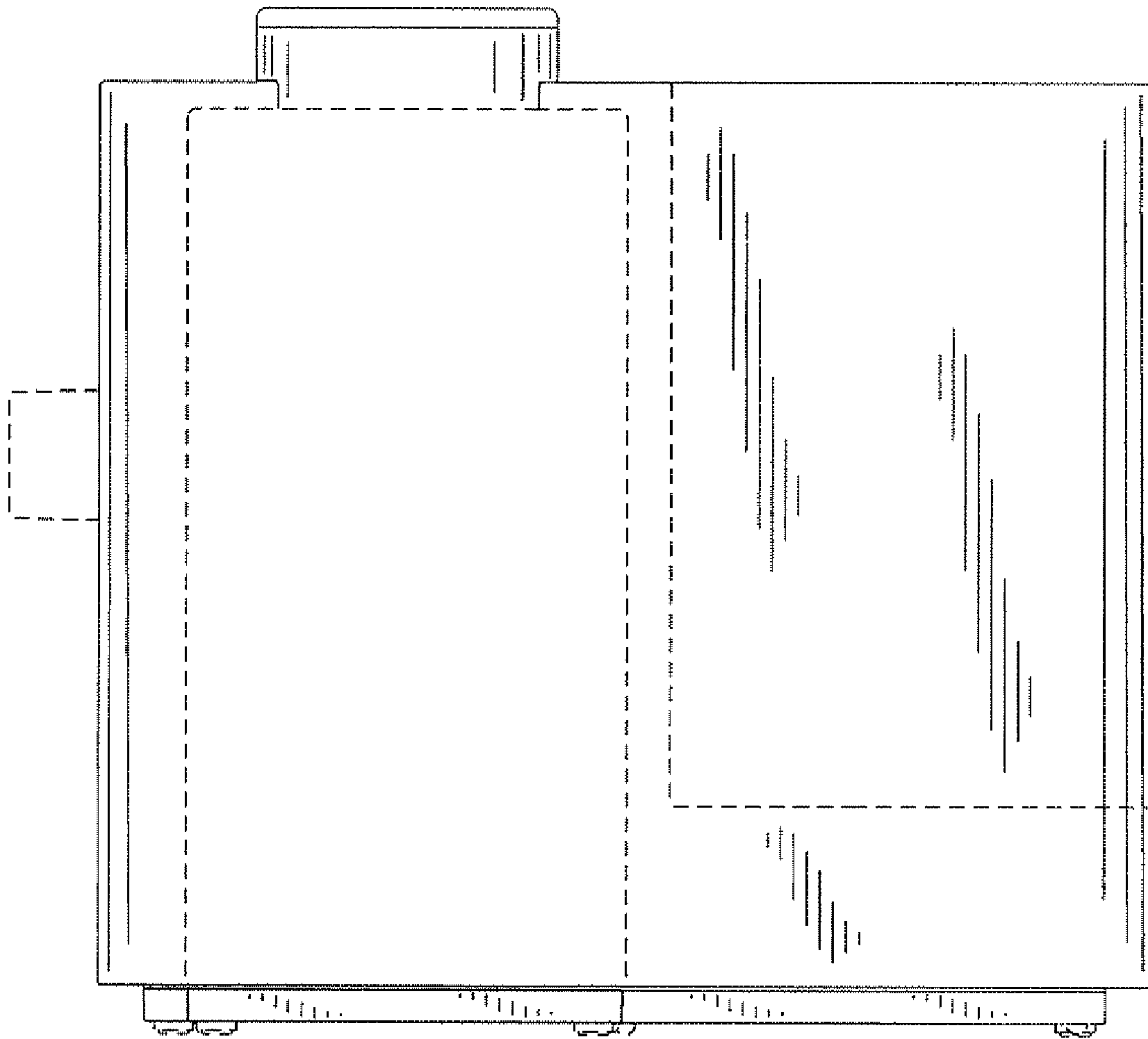
*Fig. 2*



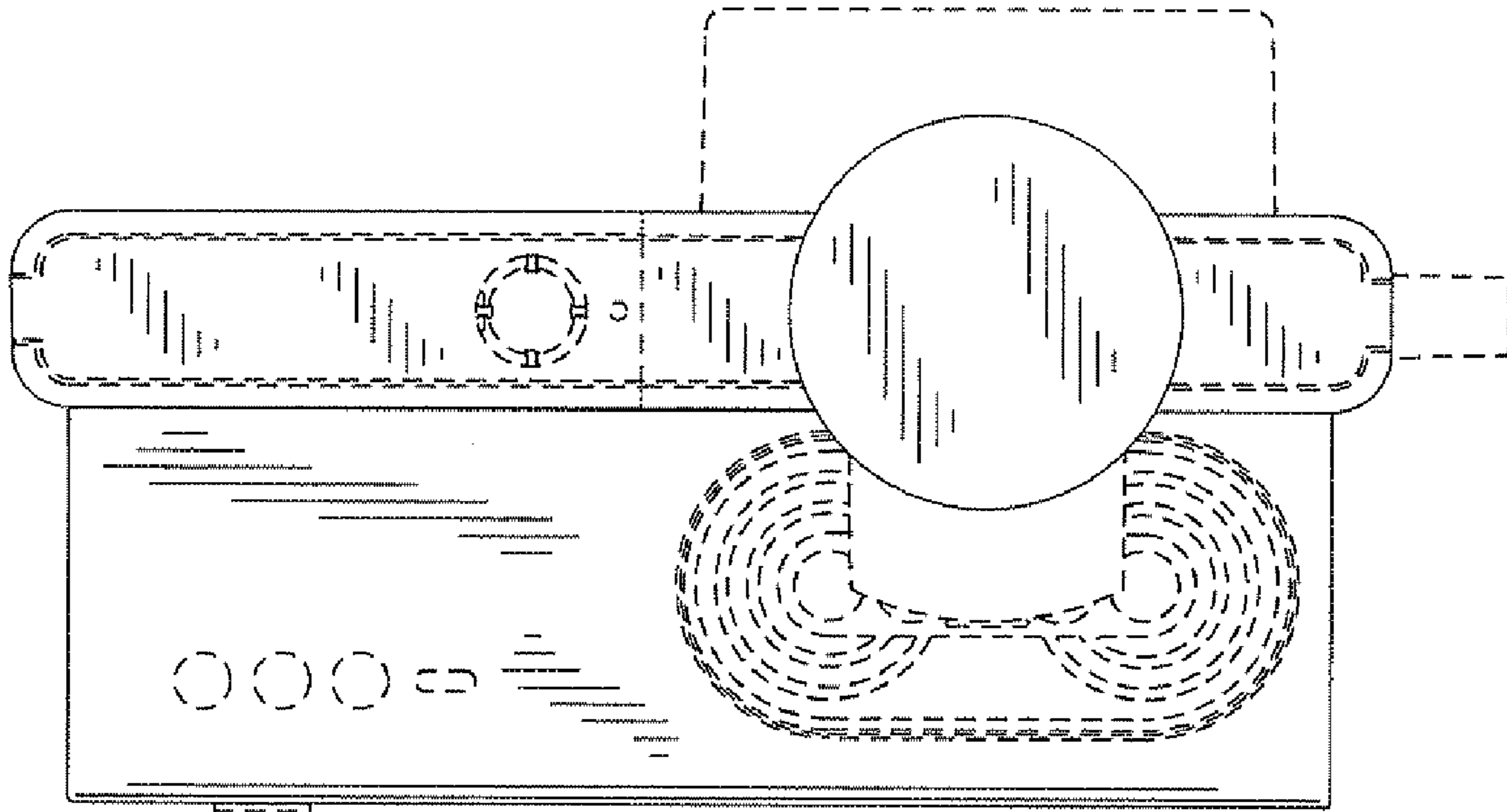
*Fig. 3*



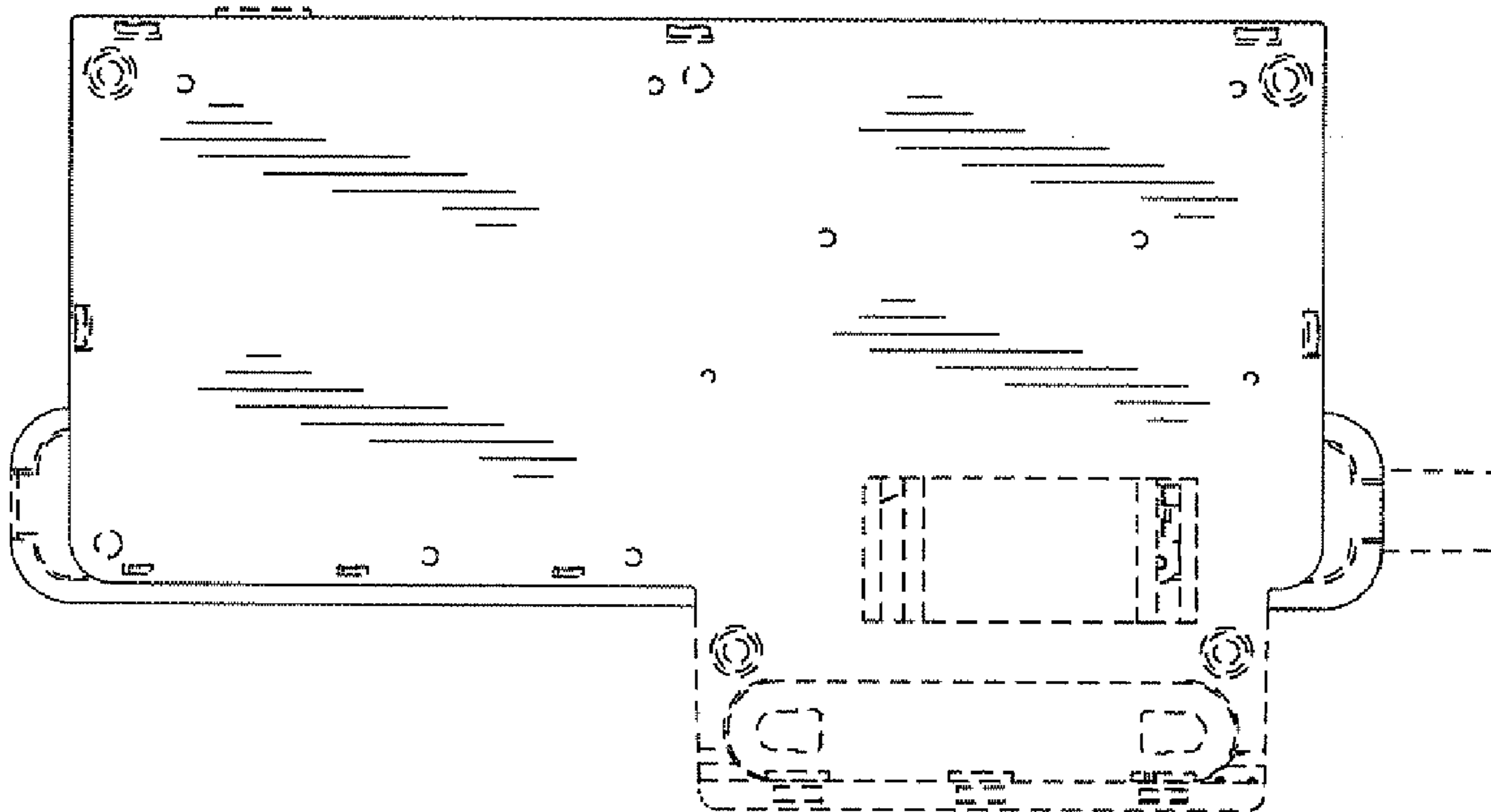
*Fig. 4*



*Fig. 5*



*Fig. 6*



*Fig. 7*