



US00D555410S

(12) **United States Design Patent**  
**Sheedy**

(10) **Patent No.:** **US D555,410 S**

(45) **Date of Patent:** **\*\* Nov. 20, 2007**

(54) **DRINKING STRAW**

(76) Inventor: **Paul Daniel Sheedy**, 22 Hillside Avenue, Woodford Green, Essex (GB) IG8 7QL

(\*\*) Term: **14 Years**

(21) Appl. No.: **29/276,084**

(22) Filed: **Jan. 15, 2007**

(30) **Foreign Application Priority Data**

Jul. 17, 2006 (GB) ..... 3025390

(51) **LOC (8) Cl.** ..... **07-06**

(52) **U.S. Cl.** ..... **D7/300.2**

(58) **Field of Classification Search** ..... D7/300.2;  
215/229, 388, 389; 239/16, 24-33  
See application file for complete search history.

(56) **References Cited**

**U.S. PATENT DOCUMENTS**

1,916,646	A *	7/1933	Tycko	.....	239/33
2,544,594	A	3/1951	Goldfarb		
3,315,405	A	4/1967	Hoffer		
3,332,622	A	7/1967	Lombard		
3,782,028	A	1/1974	Kelly		
4,134,494	A *	1/1979	Wong	.....	215/388
4,252,273	A	2/1981	Karterman		
4,579,281	A	4/1986	Karterman		
D290,213	S *	6/1987	Imotani	.....	D7/300.2
D294,671	S	3/1988	Koziol		
5,048,709	A *	9/1991	Alverson	.....	215/229
5,427,315	A *	6/1995	Lipson	.....	239/33

D359,873	S *	7/1995	Proman et al.	.....	D7/300.2
6,579,141	B2	6/2003	Bayliss		
D494,002	S *	8/2004	Killips	.....	D7/300.2
D496,209	S *	9/2004	Killips	.....	D7/300.2
D496,552	S *	9/2004	Killips	.....	D7/300.2
2003/0218076	A1 *	11/2003	Farnsworth et al.	.....	239/33
2005/0247801	A1 *	11/2005	Sheedy	.....	239/16

**FOREIGN PATENT DOCUMENTS**

BE	1010996	A3	3/1999
DE	8709001		12/1988

\* cited by examiner

*Primary Examiner*—Holly H. Baynham

*Assistant Examiner*—Cynthia M. Chin

(74) *Attorney, Agent, or Firm*—Marian J. Furst

(57) **CLAIM**

The ornamental design for a drinking straw, as shown and described.

**DESCRIPTION**

FIG. 1 is a perspective view of a drinking straw in accordance with the present invention;

FIG. 2 is a perspective view of the drinking straw of FIG. 1, shown separately for the clarity of illustration;

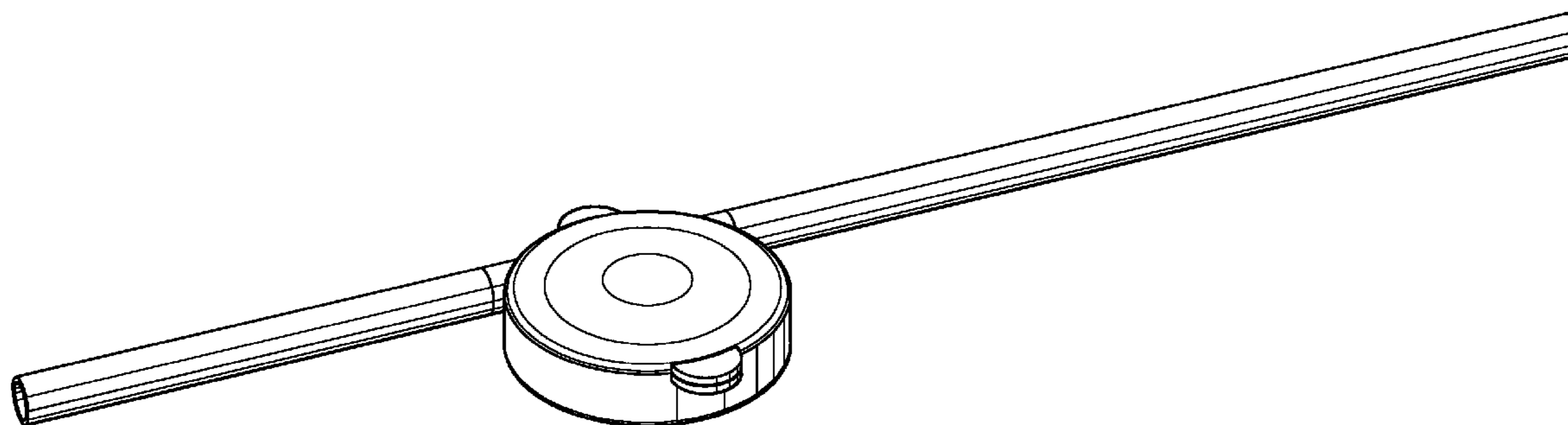
FIG. 3 is a plan view of the drinking straw of FIG. 1;

FIG. 4 is an end view of the drinking straw of FIG. 1;

FIG. 5 is a side view of the drinking straw of FIG. 1; and,

FIG. 6 is an opposite side view of the drinking straw of FIG. 2.

**1 Claim, 3 Drawing Sheets**



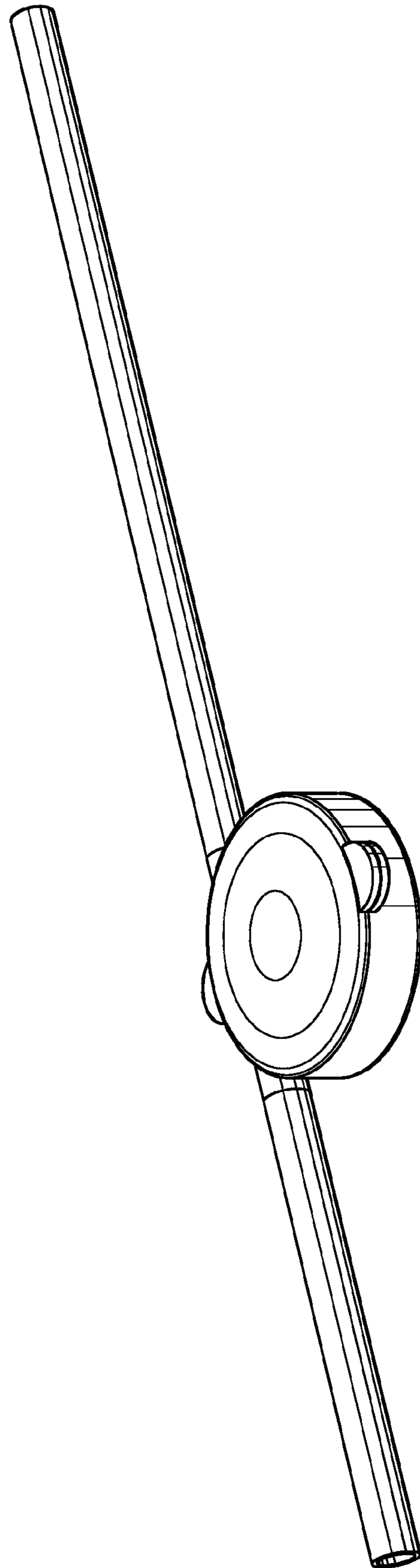


Fig. 1

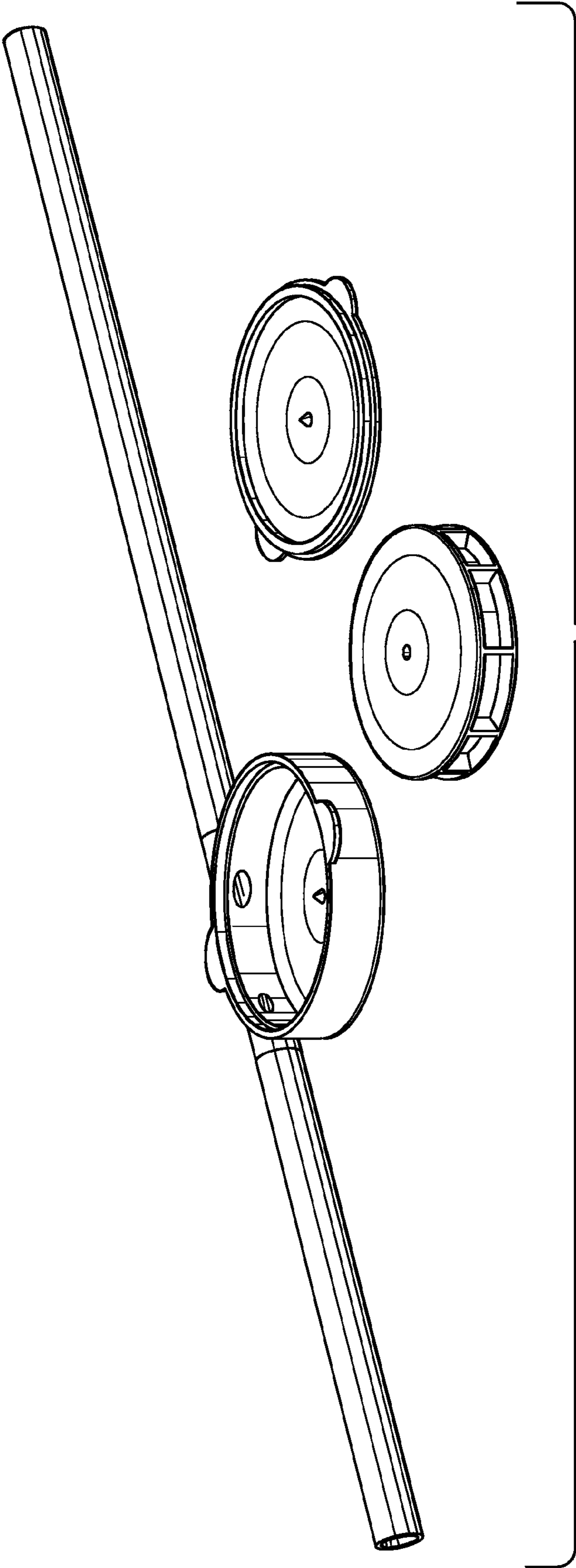


Fig. 2

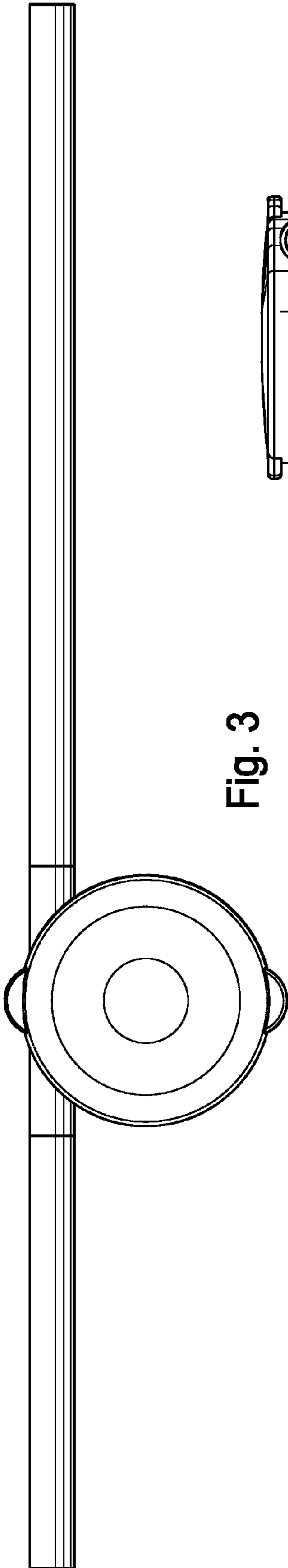


Fig. 3

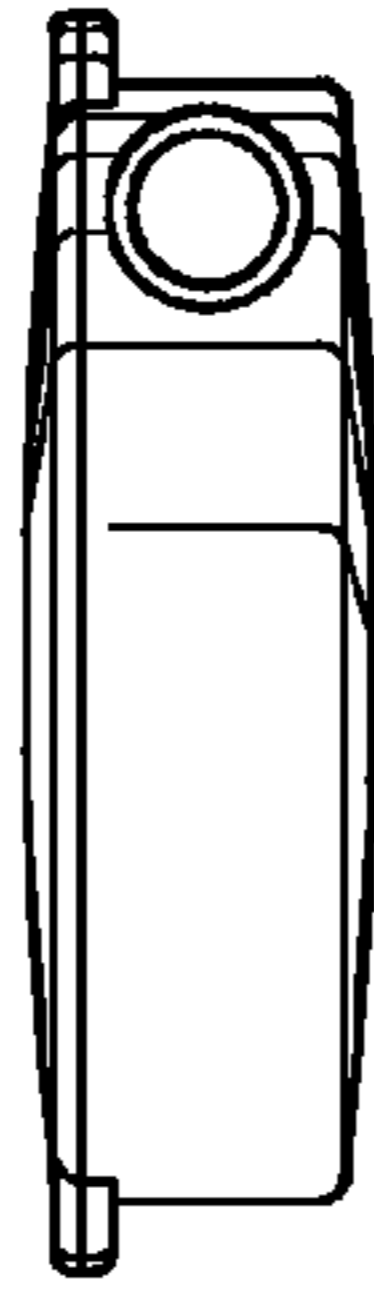


Fig. 4

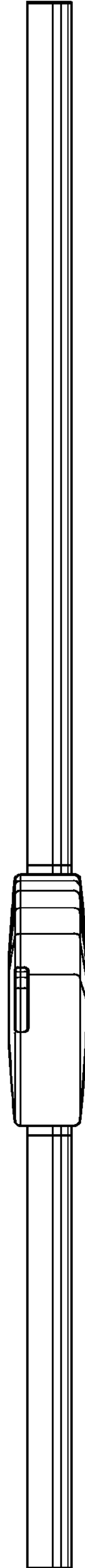


Fig. 5

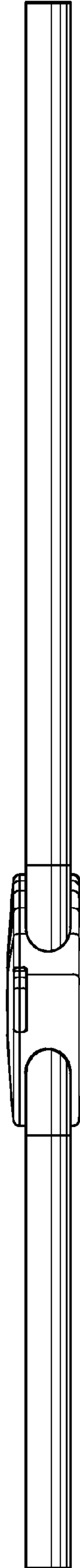


Fig. 6