



US00D555406S

(12) **United States Design Patent**
Burt

(10) **Patent No.:** **US D555,406 S**

(45) **Date of Patent:** **** Nov. 20, 2007**

(54) **MAGNETICALLY HELD HOUSEHOLD
DISPLAY AND STORAGE DEVICE FOR
MENUS, RECIPES, NOTES AND THE LIKE**

(57) **CLAIM**

The ornamental design for a magnetically held household display and storage device for menus, recipes, notes and the like, as shown and described.

(76) **Inventor:** **Kim Burt**, 1975 Michigan Ave., Salt Lake City, UT (US) 84108

(**) **Term:** **14 Years**

DESCRIPTION

(21) **Appl. No.:** **29/261,229**

(22) **Filed:** **Jun. 9, 2006**

(51) **LOC (8) Cl.** **06-04**

(52) **U.S. Cl.** **D6/567**

(58) **Field of Classification Search** D6/553,
D6/567; D19/75, 78, 86, 90; 211/13.1, 41.1,
211/41.12, 42, 45

See application file for complete search history.

(56) **References Cited**

U.S. PATENT DOCUMENTS

D353,735 S *	12/1994	English	D6/567
D391,990 S *	3/1998	Wolff	D19/78
D410,164 S *	5/1999	Rashid	D6/567
D419,301 S *	1/2000	Hampshire	D6/567
D422,828 S *	4/2000	Kanfer et al.	D6/567
D535,842 S *	1/2007	Wood	D6/567

* cited by examiner

Primary Examiner—Brian N Vinson

(74) *Attorney, Agent, or Firm*—Lynn G. Foster

FIG. 1 is a perspective view of a magnetically held household display and storage device for menus, recipes, notes and the like showing my new design, with the broken line disclosure of menu cards, recipe cards and note paper being for illustrative purposes only and forming no part of the claimed design;

FIG. 2 is a front elevational view thereof;

FIG. 3 is a rear elevational view thereof;

FIG. 4 is a top view thereof;

FIG. 5 is a bottom view thereof;

FIG. 6 is a left side elevational view thereof;

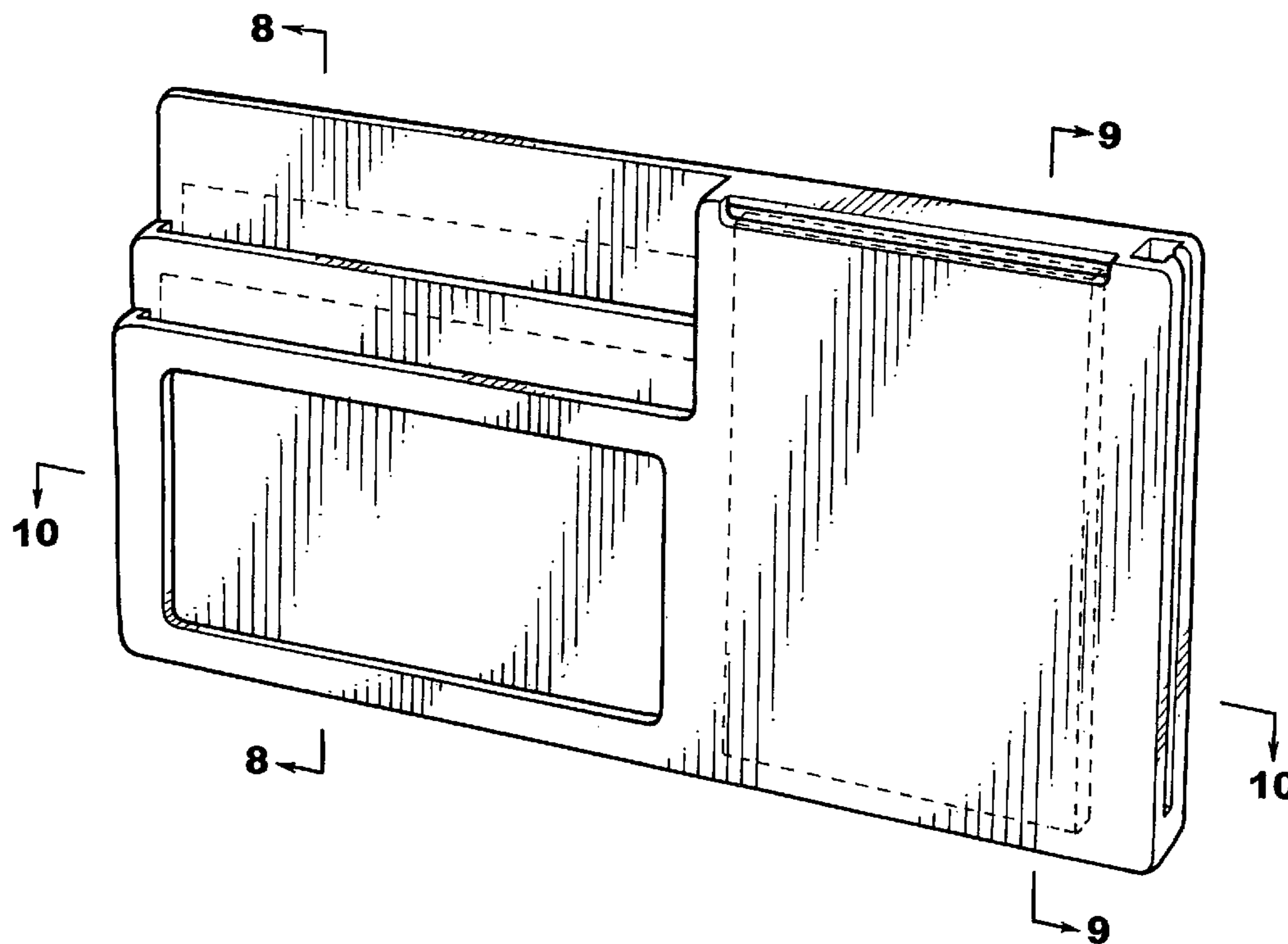
FIG. 7 is a right side elevational view thereof;

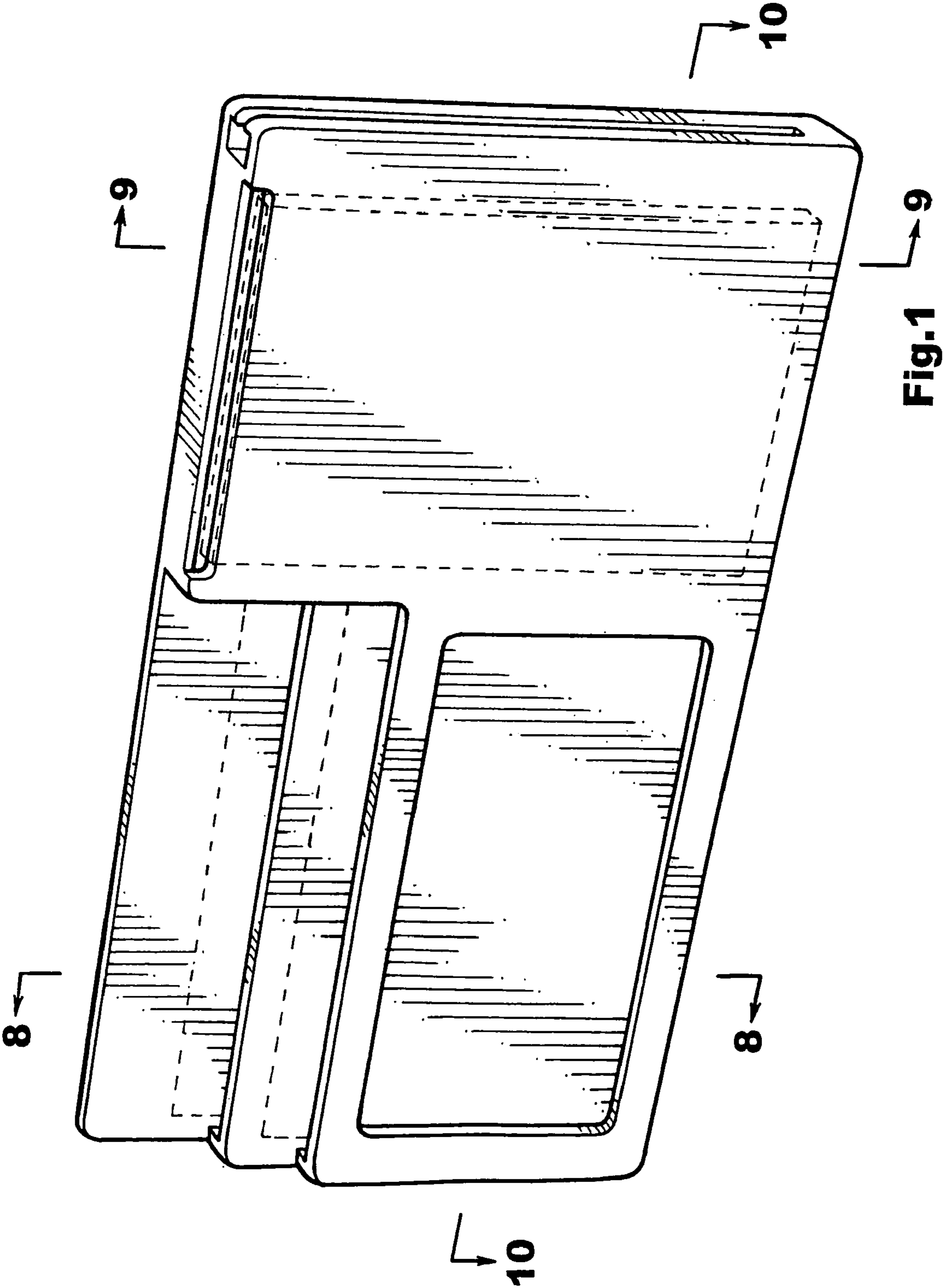
FIG. 8 is a cross sectional view thereof, taken along line 8—8 of FIG. 1;

FIG. 9 is a cross sectional view thereof, taken along line 9—9 of FIG. 1; and,

FIG. 10 is a cross sectional view thereof, taken along lines 10—10 of FIG. 1.

1 Claim, 3 Drawing Sheets





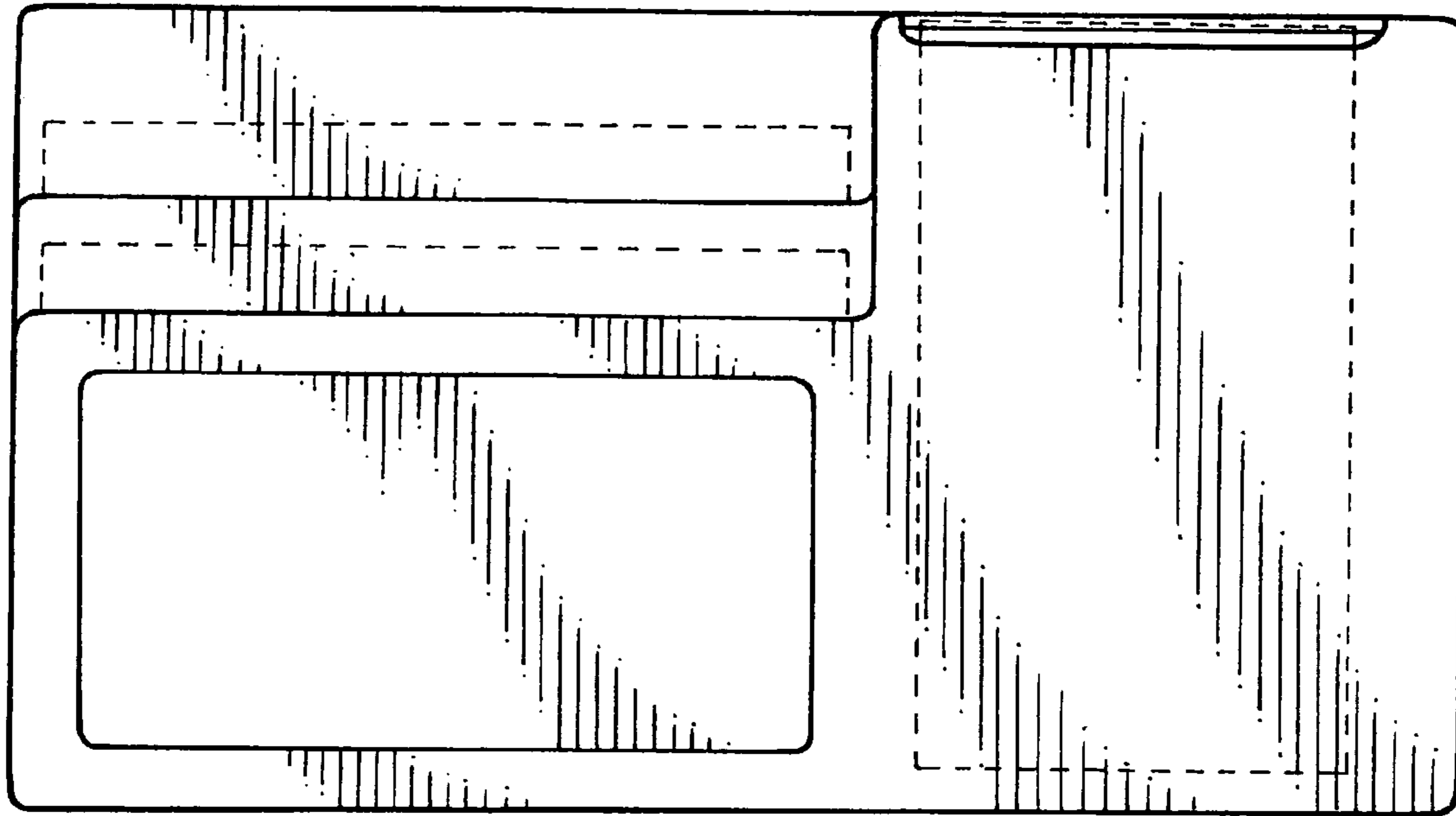


Fig.2

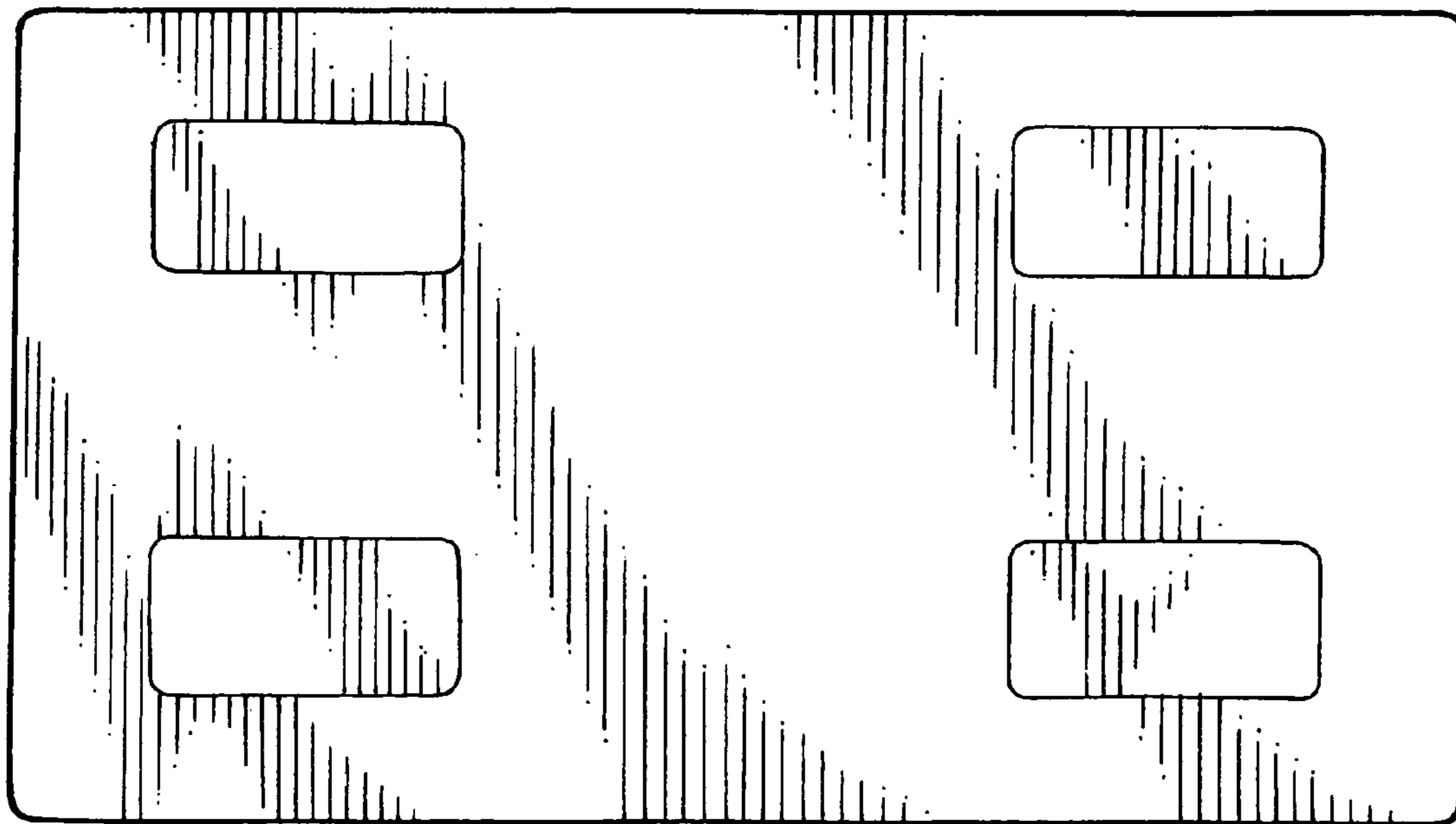


Fig.3

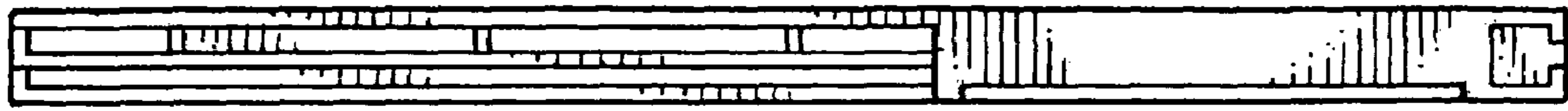


Fig.4



Fig.5



Fig.6



Fig.7



Fig.8



Fig.9

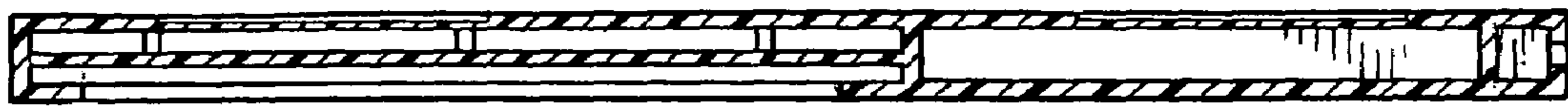


Fig.10