



US00D555405S

(12) **United States Design Patent**
Bueno

(10) **Patent No.:** **US D555,405 S**

(45) **Date of Patent:** **** Nov. 20, 2007**

(54) **HOLDER OF DENTAL BRUSHES WITH TOOTH PASTE SQUEEZER**

(76) **Inventor:** **Jorge L. Bueno**, 7870 NW. 194 Ter., Hialeah, FL (US) 33015

(**) **Term:** **14 Years**

(21) **Appl. No.:** **29/264,505**

(22) **Filed:** **Aug. 14, 2006**

(51) **LOC (8) Cl.** **23-02**

(52) **U.S. Cl.** **D6/530**

(58) **Field of Classification Search** D6/530,
D6/541, 527-528, 534, 524; 206/362, 362.1,
206/362.2, 362.3, 277; 222/101, 102, 105;
248/309.1

See application file for complete search history.

(56) **References Cited**

U.S. PATENT DOCUMENTS

D293,532 S *	1/1988	Sussman	D6/530
D340,161 S *	10/1993	Regidor	D6/530
D355,804 S *	2/1995	Crivelli	D6/530
5,566,842 A *	10/1996	Dennis	211/87.01
D430,439 S *	9/2000	Jackson	D6/530

* cited by examiner

Primary Examiner—Brian N Vinson

(57) **CLAIM**

The ornamental design for a holder of dental brushes with tooth paste squeezer, as shown and described.

DESCRIPTION

FIG. 1 is an isometric view from the top and rear side of a holder of dental brushes with tooth paste squeezer, showing my new design;

FIG. 2 is an isometric view from the top illustrating the front side view thereof;

FIG. 3 is an isometric view from the top thereof. The broken lines showing of a tooth paste tube and dental brushes are for illustrative purposes only and form no part of the claimed design;

FIG. 4 is a top view thereof;

FIG. 5 is a bottom view thereof;

FIG. 6 is a side elevational view thereof;

FIG. 7 is a side elevational view from the other side thereof;

FIG. 8 is a rear elevational view thereof; and,

FIG. 9 is a front elevational view thereof.

1 Claim, 5 Drawing Sheets

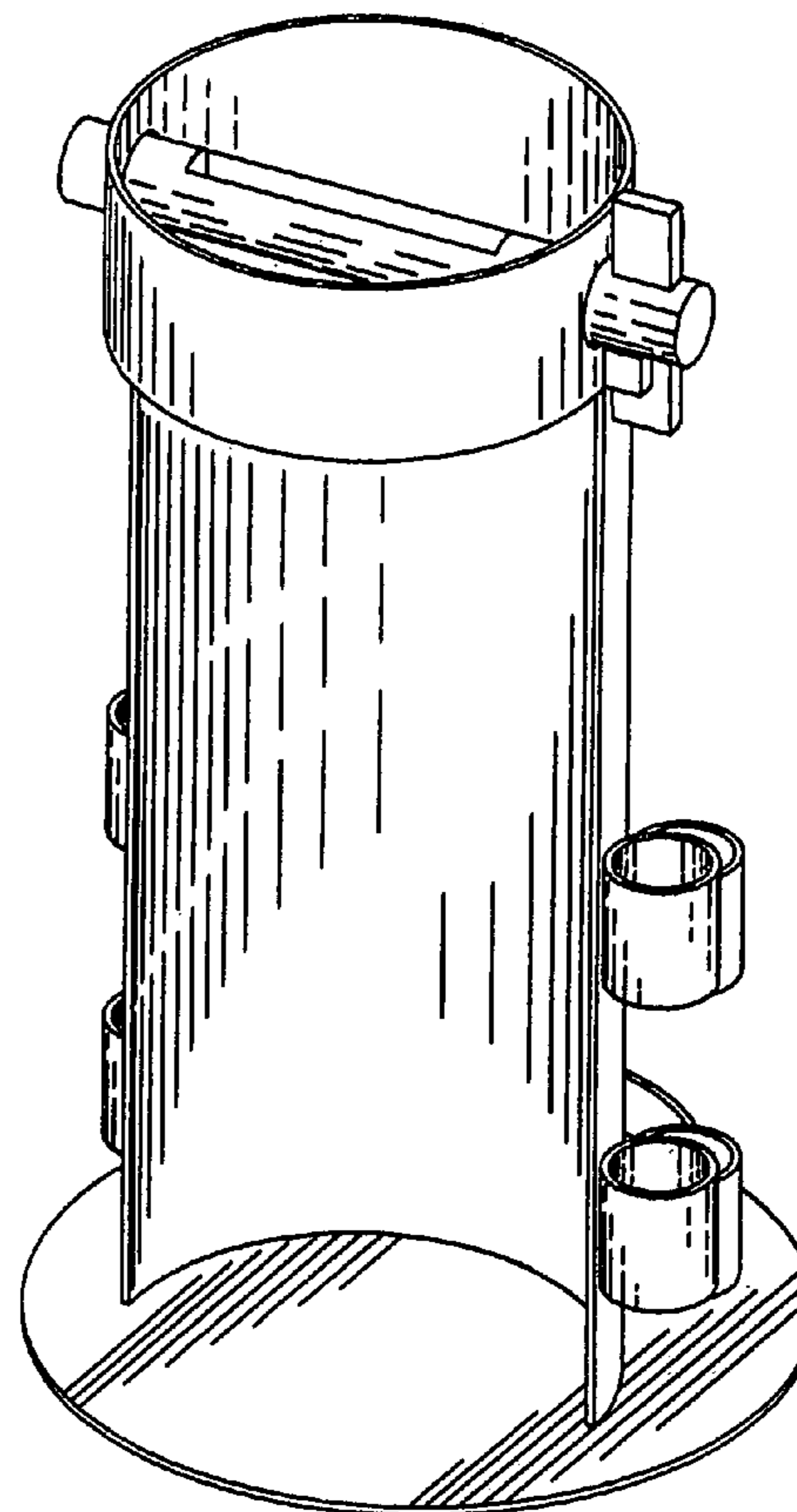
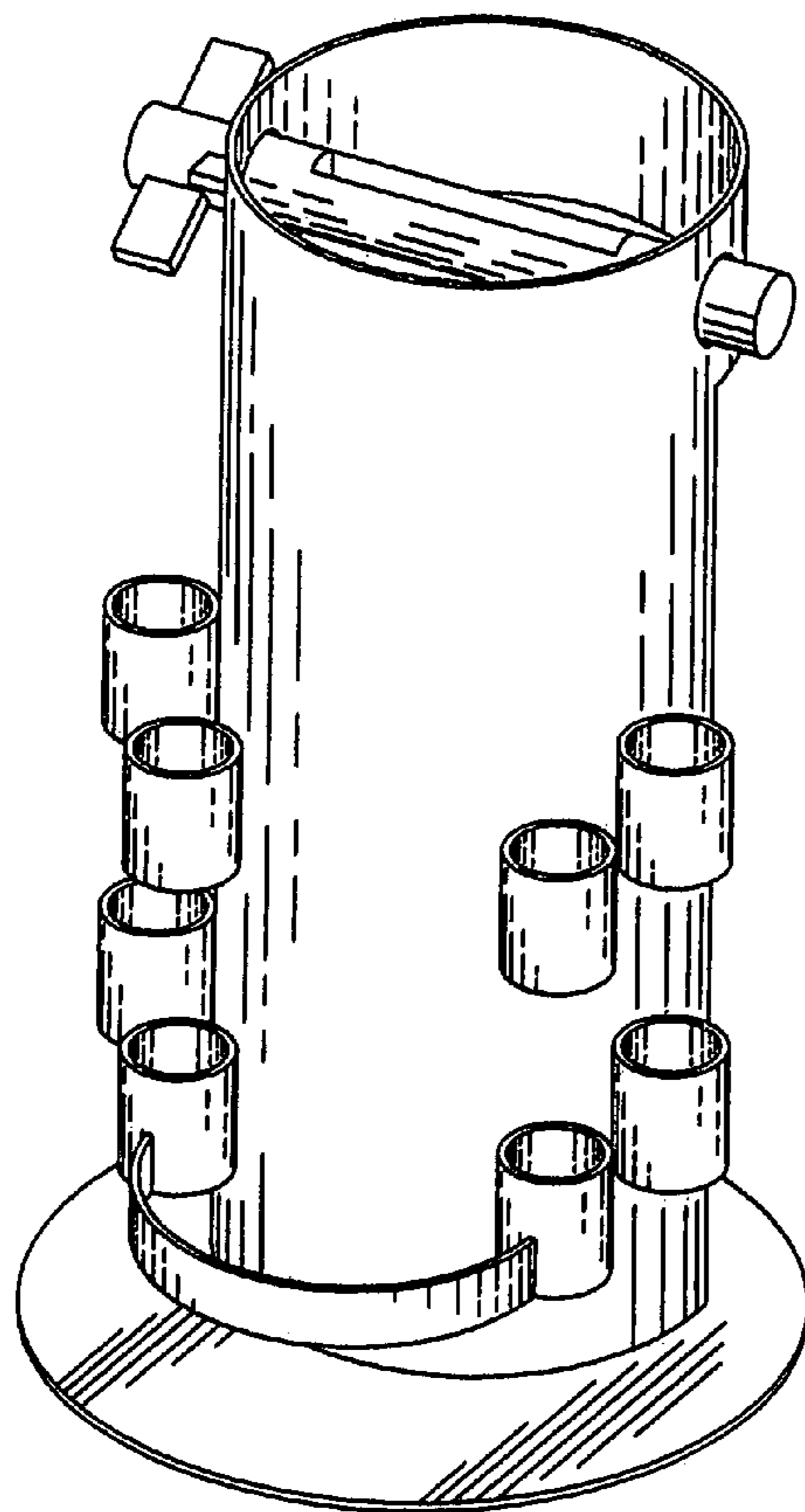


Fig 2

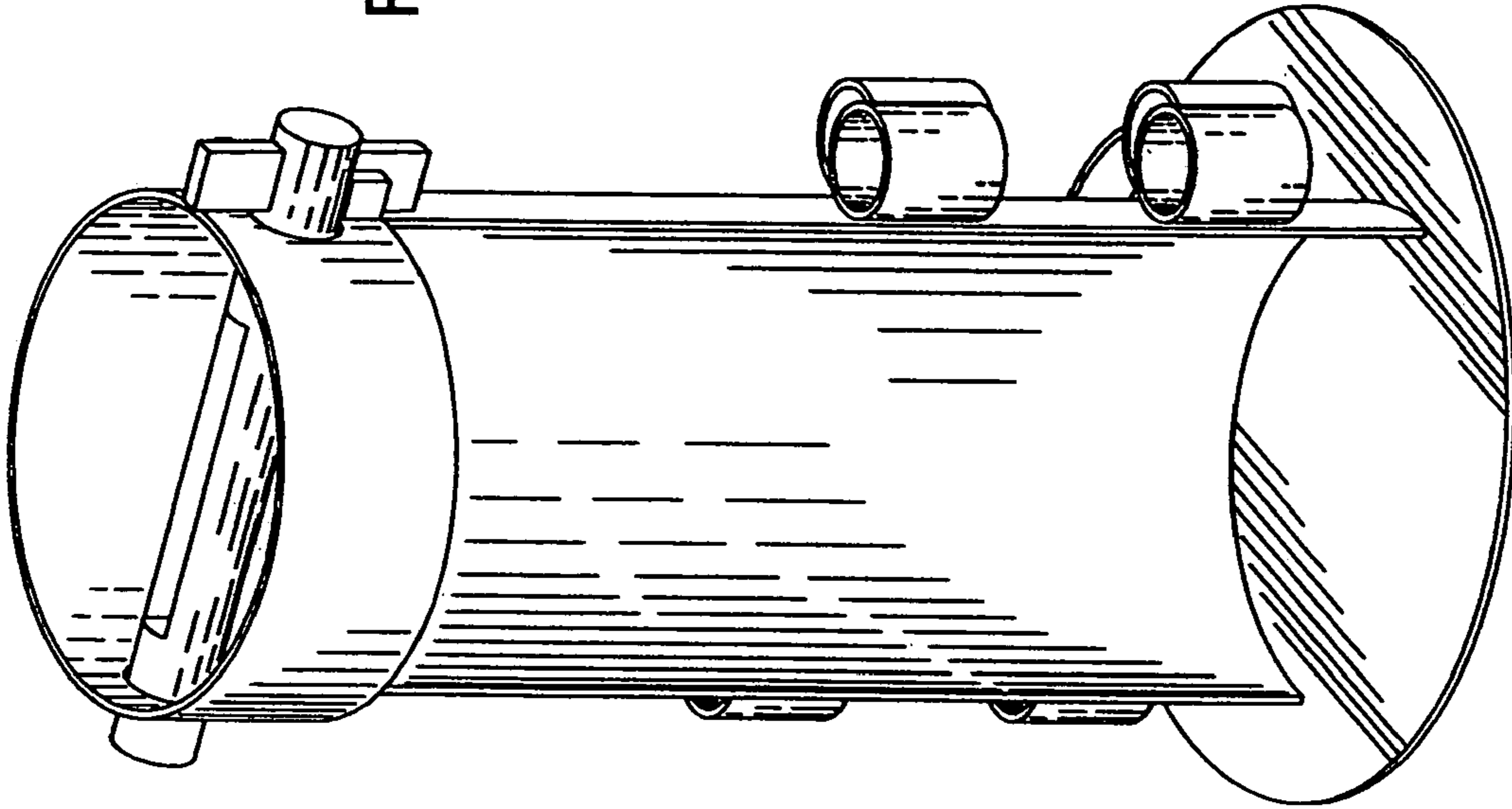
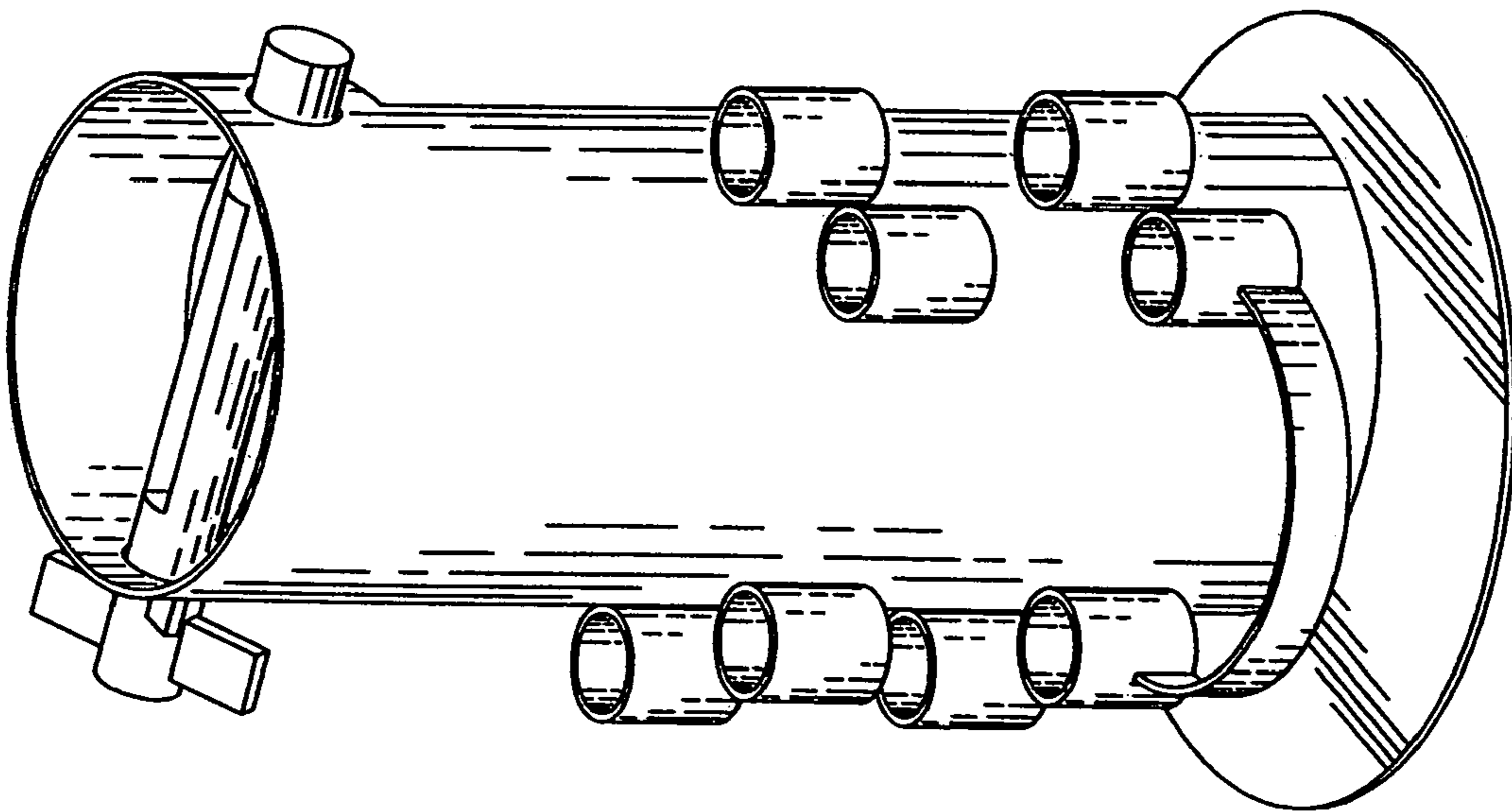


Fig 1



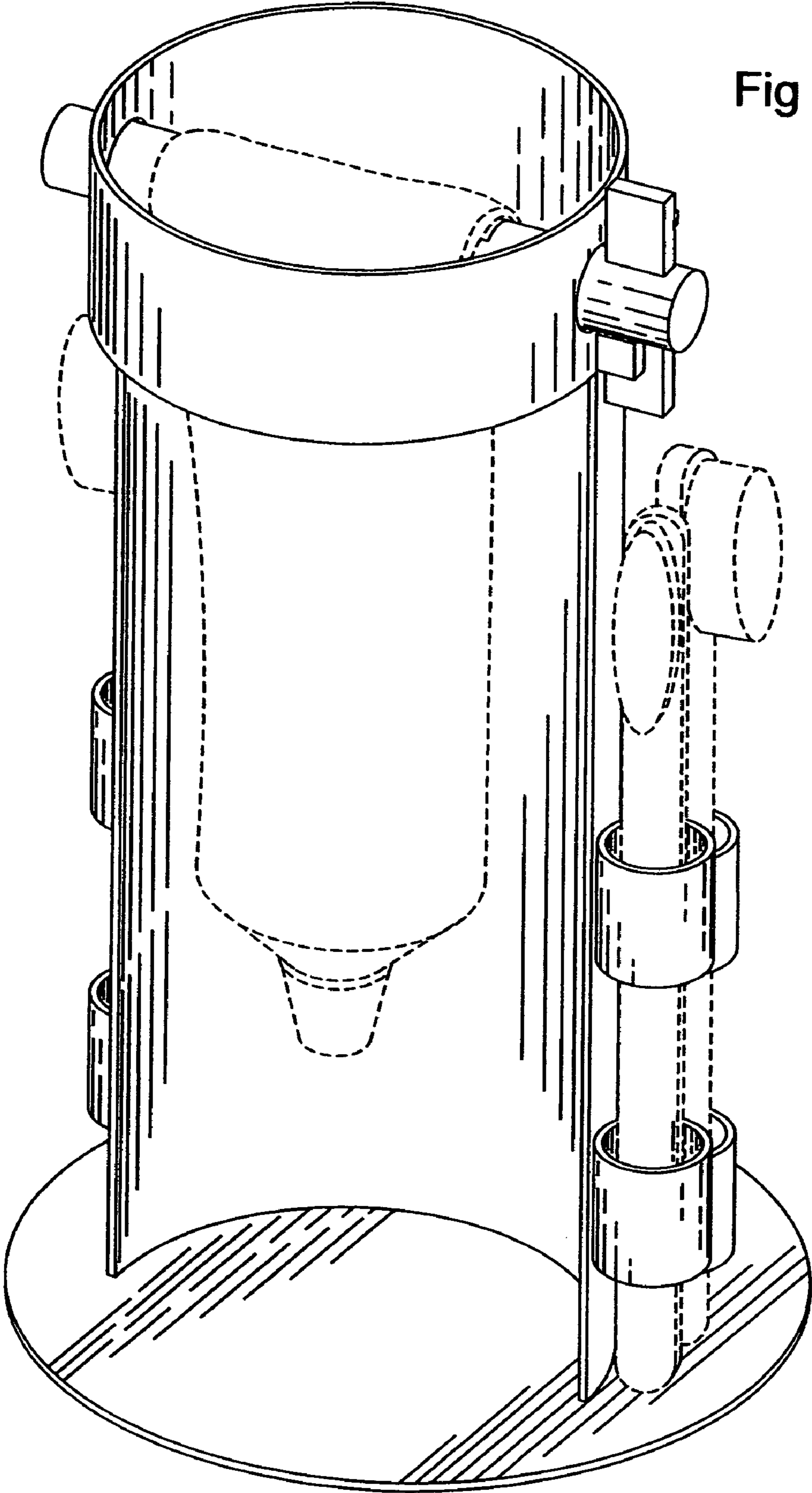


Fig 3

Fig 4

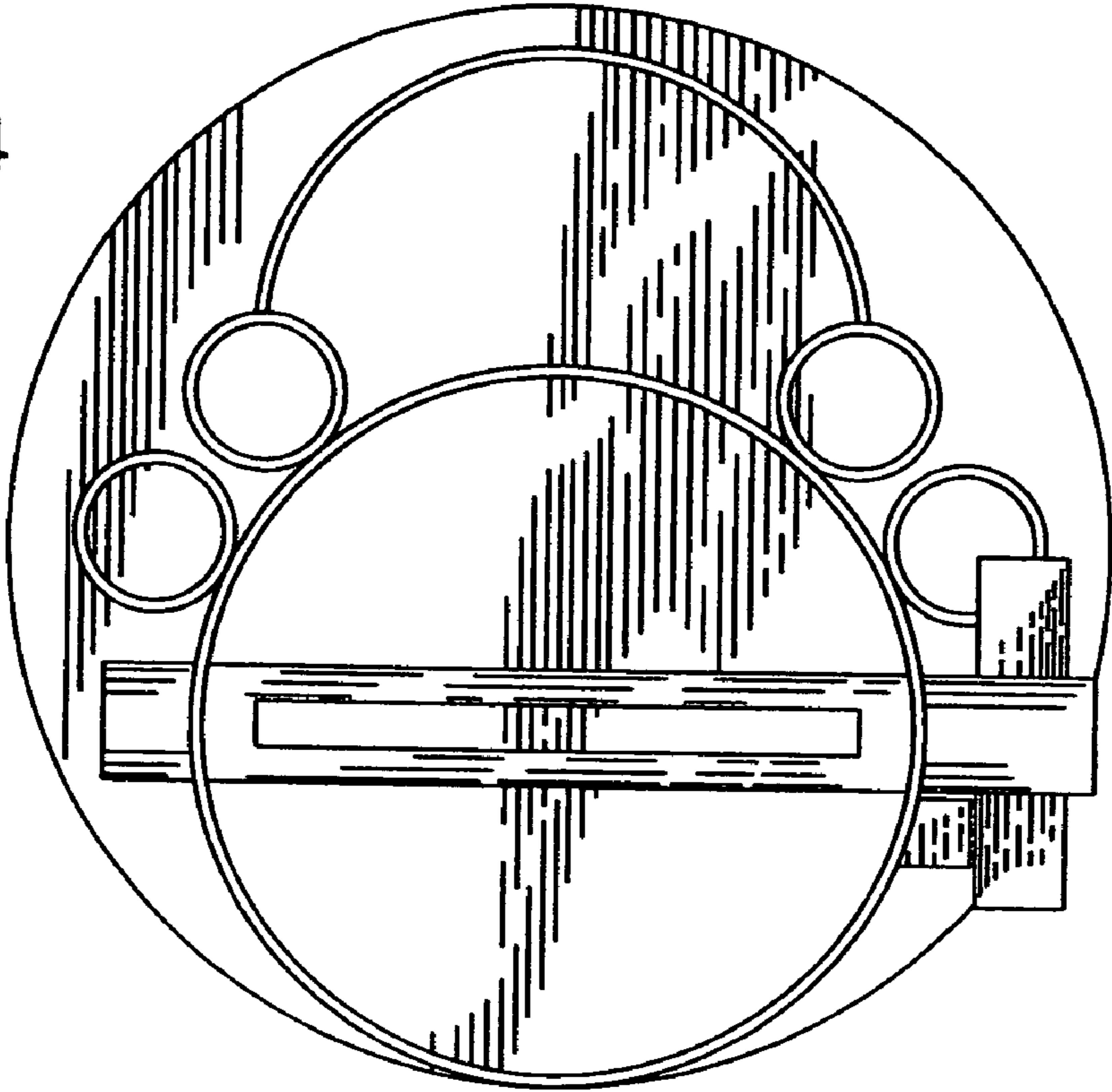
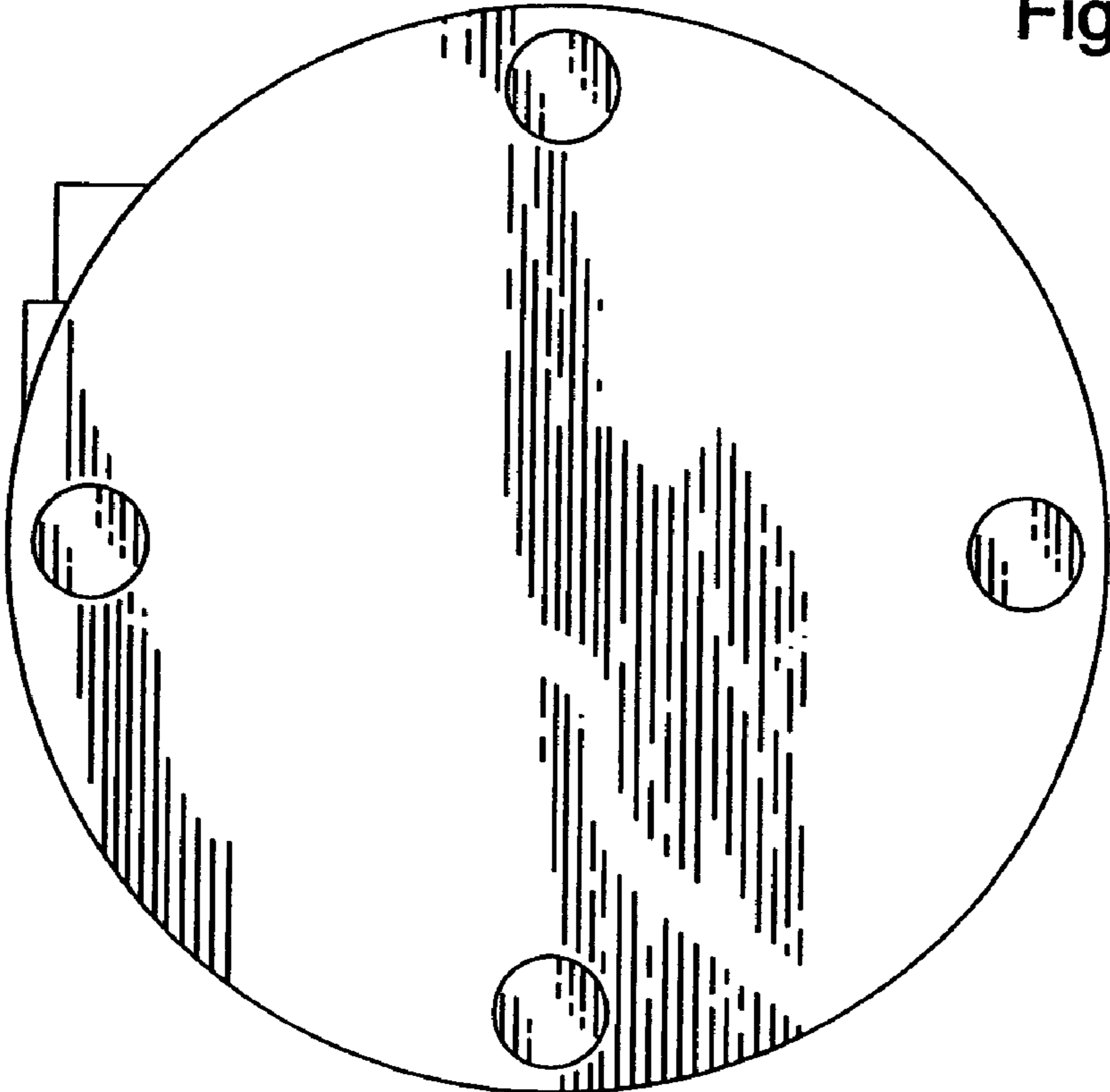
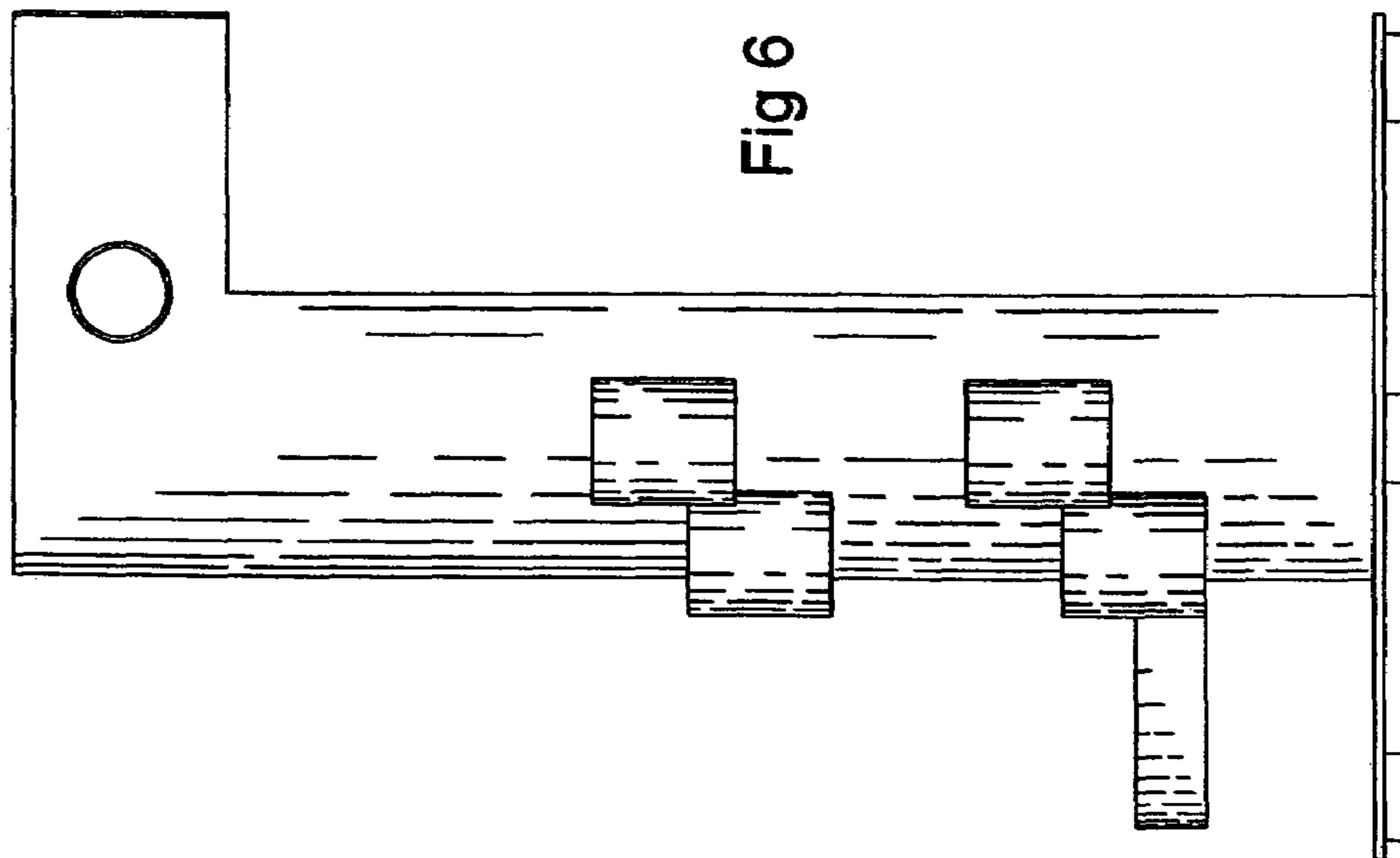
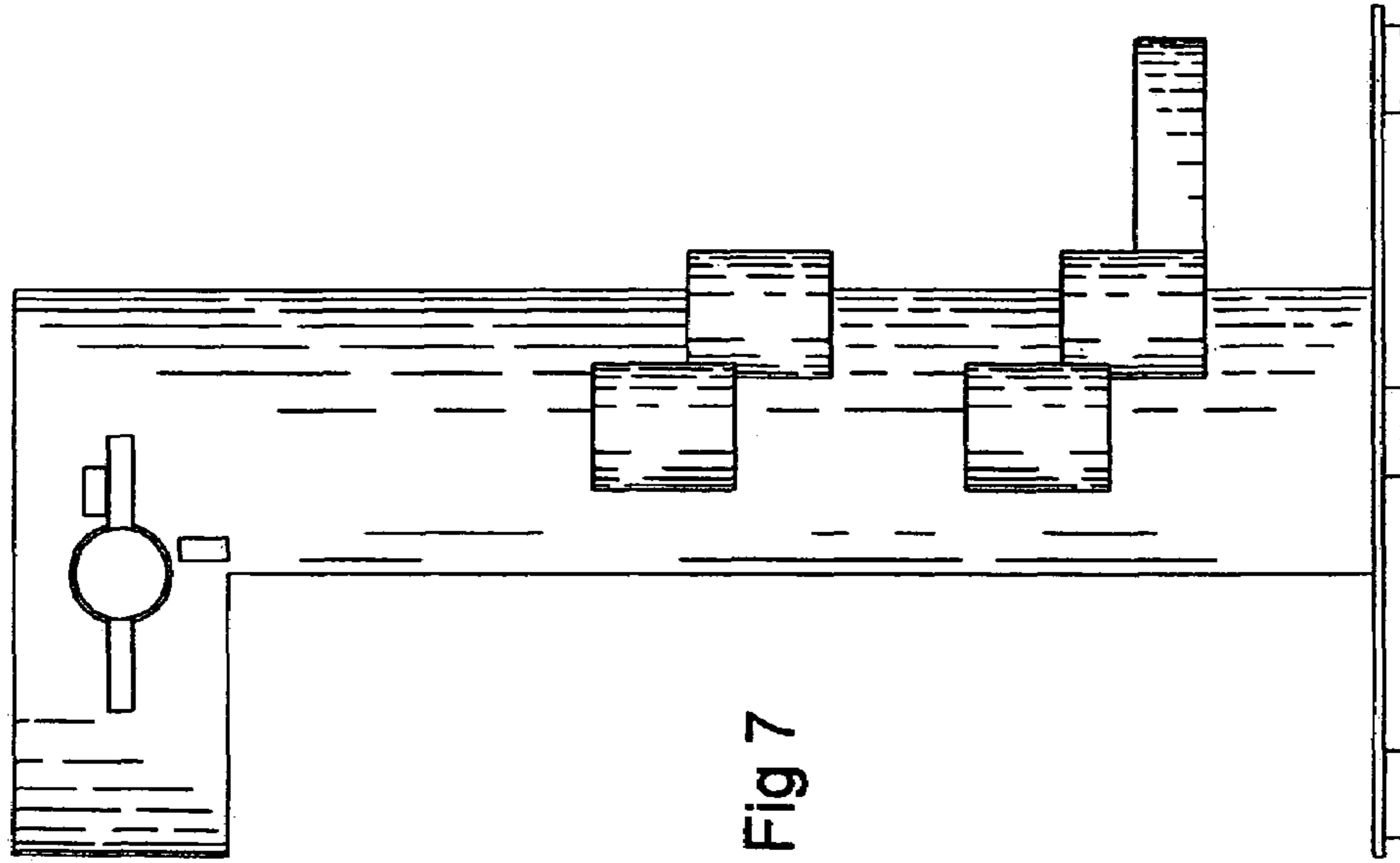


Fig 5





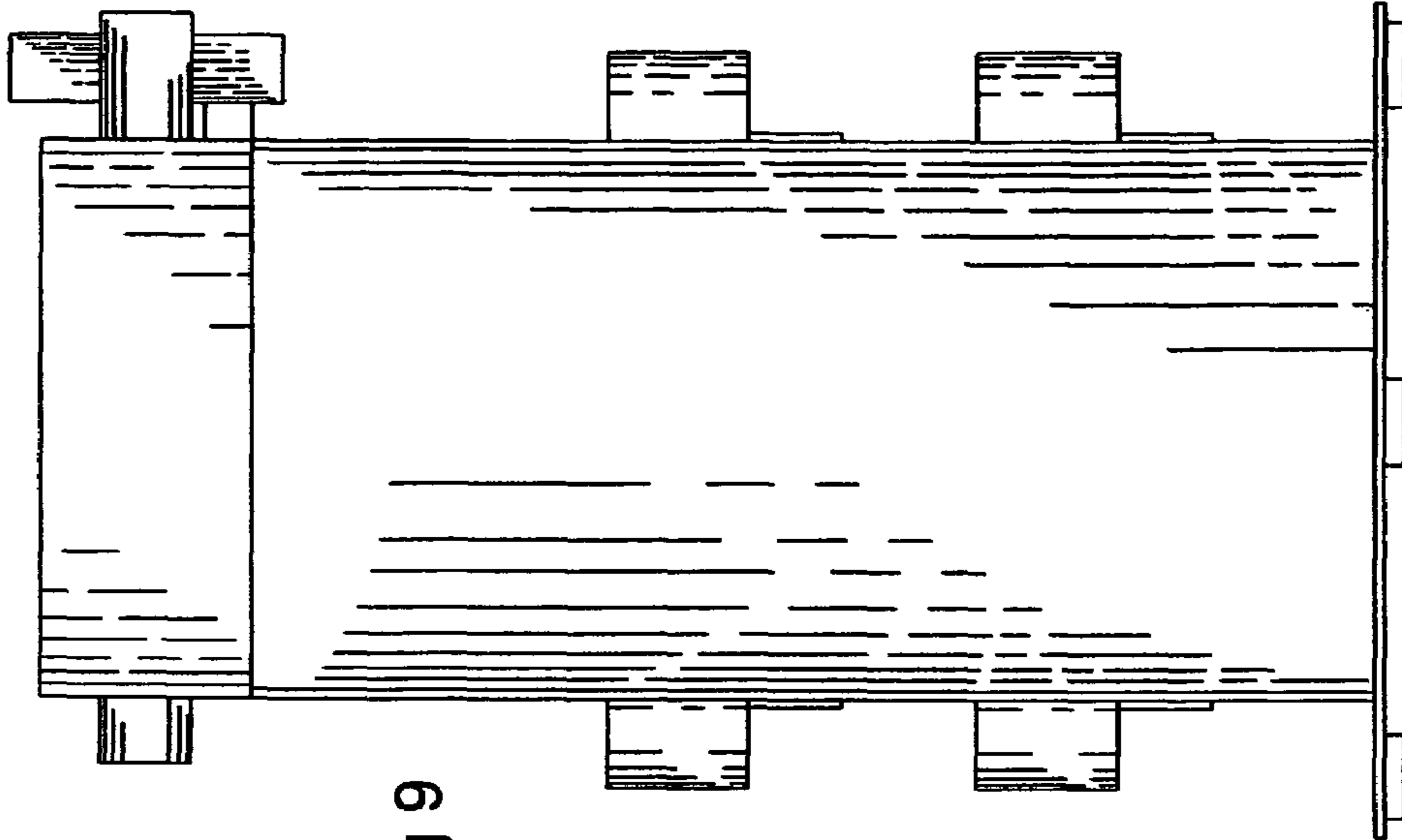


Fig 9

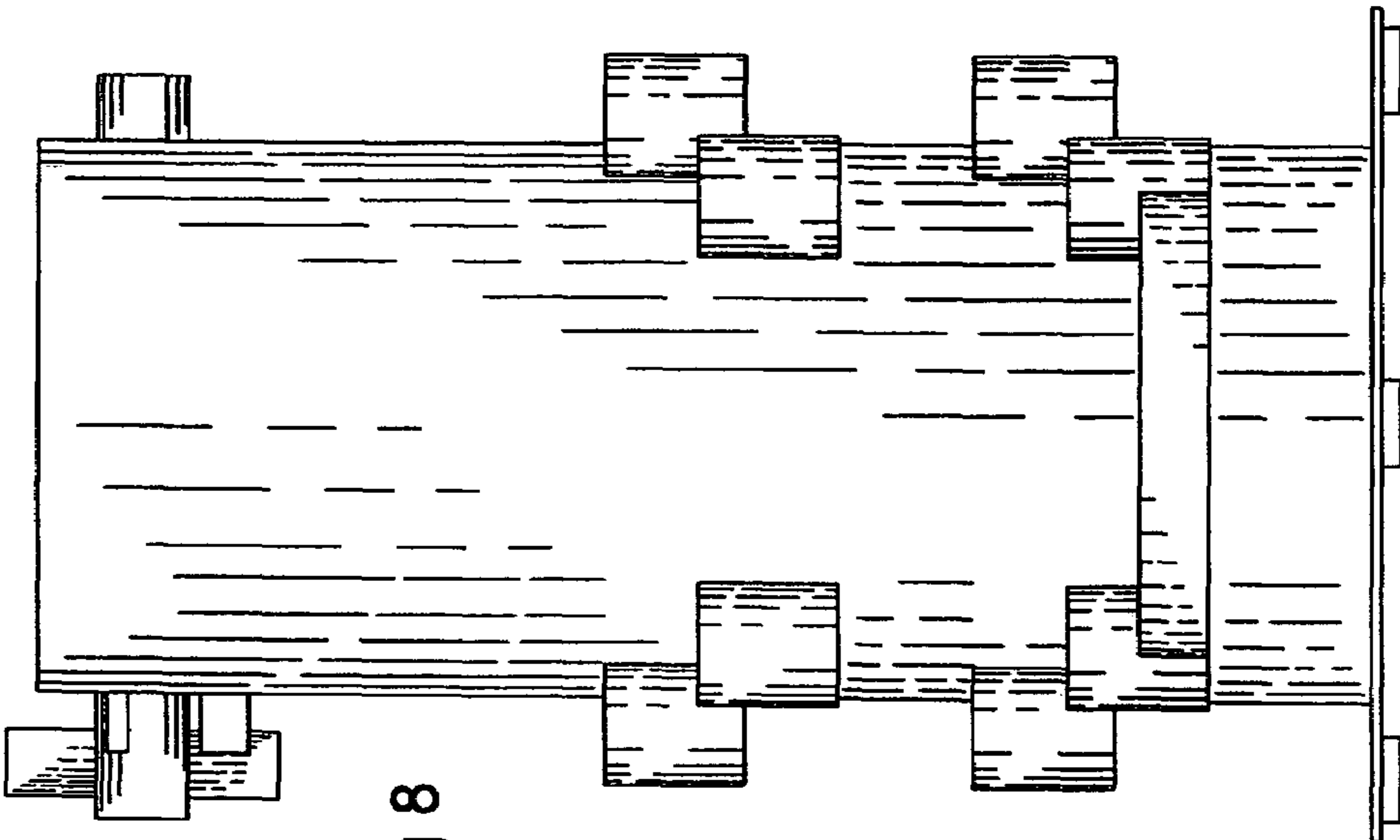


Fig 8