



US00D555403S

(12) **United States Design Patent** (10) **Patent No.:** **US D555,403 S**
Arrosagaray (45) **Date of Patent:** **** Nov. 20, 2007**

(54) **CONICALLY-SHAPED GLASS FOR AN OUTSIDE WEDGE-STYLE DISPLAY CASE**

(75) Inventor: **Al Arrosagaray**, Rancho Cucamonga, CA (US)

(73) Assignee: **Husmann Corporation**, Bridgeton, MO (US)

(**) Term: **14 Years**

(21) Appl. No.: **29/252,986**

(22) Filed: **Jan. 31, 2006**

(51) **LOC (8) Cl.** **06-04**

(52) **U.S. Cl.** **D6/509**

(58) **Field of Classification Search** D6/509, D6/332, 470-472; 257/710; 428/178, 180; 60/226.2; 296/84.1, 90, 96.11, 96.12; D12/182-183; D25/52, 54, 13, 18, 19, 21; D15/83-84
 See application file for complete search history.

(56) **References Cited**

U.S. PATENT DOCUMENTS

2,166,577	A *	7/1939	Beckius	52/169.1
D129,258	S *	9/1941	James	D6/471
D174,892	S *	6/1955	Baehre	D25/19
2,869,749	A *	1/1959	Arne et al.	220/565
3,011,602	A *	12/1961	Ensrud et al.	428/180
D199,709	S *	12/1964	Harrison	D6/472
D224,001	S *	6/1972	Barkley	D25/19
D231,630	S *	5/1974	Sherry	D26/85
4,068,421	A *	1/1978	Marovich	52/81.4
D251,068	S *	2/1979	Mills	D25/19
D251,503	S *	4/1979	Truitt, Jr.	D25/1
D260,587	S *	9/1981	Perlmutter	D25/16
D264,995	S *	6/1982	Gearhart	D25/11
4,808,234	A *	2/1989	McKay et al.	134/21
5,105,262	A *	4/1992	Grider	257/710
D350,657	S *	9/1994	LaVaute et al.	D6/472
D351,298	S *	10/1994	Gelinas	D6/472
5,507,143	A *	4/1996	Luttgeharm et al.	60/226.2
5,589,814	A *	12/1996	Smith, Jr.	340/426.26
D399,176	S *	10/1998	Bramstedt	D12/182

5,857,815	A *	1/1999	Bailey et al.	409/201
5,885,714	A *	3/1999	Demeester	428/441
D413,459	S *	9/1999	Evdokimoff	D6/472
6,200,664	B1 *	3/2001	Figge et al.	428/178
D484,990	S *	1/2004	Ecker	D25/54
D529,731	S *	10/2006	McCabe	D6/434
D530,104	S *	10/2006	Saffell et al.	D6/332
7,125,462	B2 *	10/2006	Disteldorf	156/101
D533,199	S *	12/2006	Ugarte	D15/89

* cited by examiner

Primary Examiner—Cathron C. Brooks

Assistant Examiner—Kelley A. Donnelly

(74) *Attorney, Agent, or Firm*—Michael Best & Friedrich LLP

(57) **CLAIM**

I claim the ornamental design for a conically-shaped glass for an outside wedge-style display case, as shown and described.

DESCRIPTION

FIG. 1 is a perspective view of a conically-shaped glass for an outside wedge-style display case.

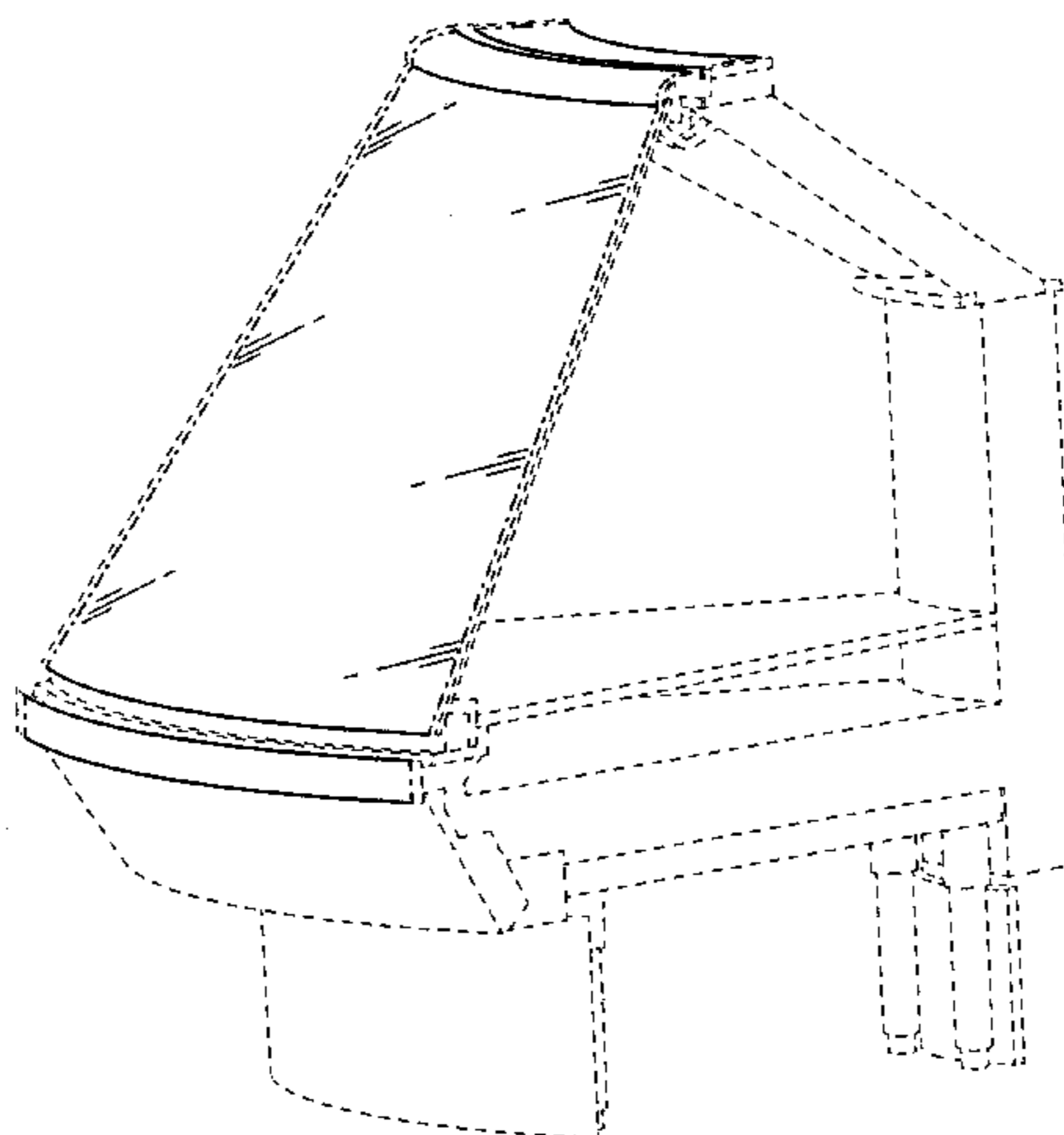
FIG. 2 is a side view of the conically-shaped glass for an outside wedge-style display case shown in FIG. 1.

FIG. 3 is a front view of the conically-shaped glass for an outside wedge-style display case shown in FIG. 1; and,

FIG. 4 is a top view of the conically-shaped glass for an outside wedge-style display case shown in FIG. 1.

The broken line showing of the environment is for illustrative purposes only and forms no part of the claimed design. The opposite side view of the side view illustrated in FIG. 2 is a mirror image of the side view illustrated in FIG. 2. The claimed conically-shaped glass is transparent. The boundary lines showing the boundary between the claimed design and the unclaimed portions of the design are for illustrative purposes only and form no part of the claimed design. The boundary lines are represented by alternating dashes and dots.

1 Claim, 3 Drawing Sheets



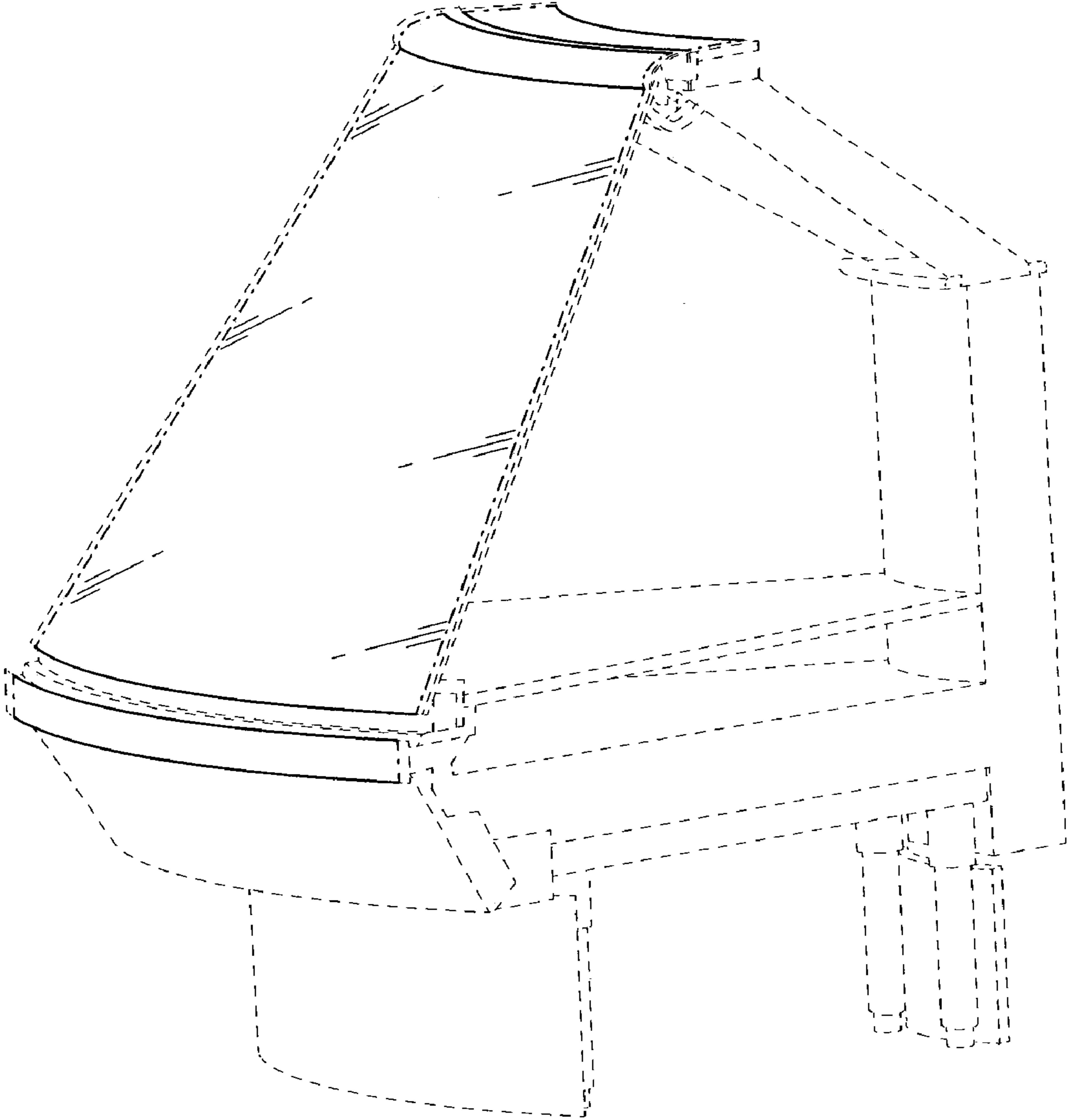


FIG. 1

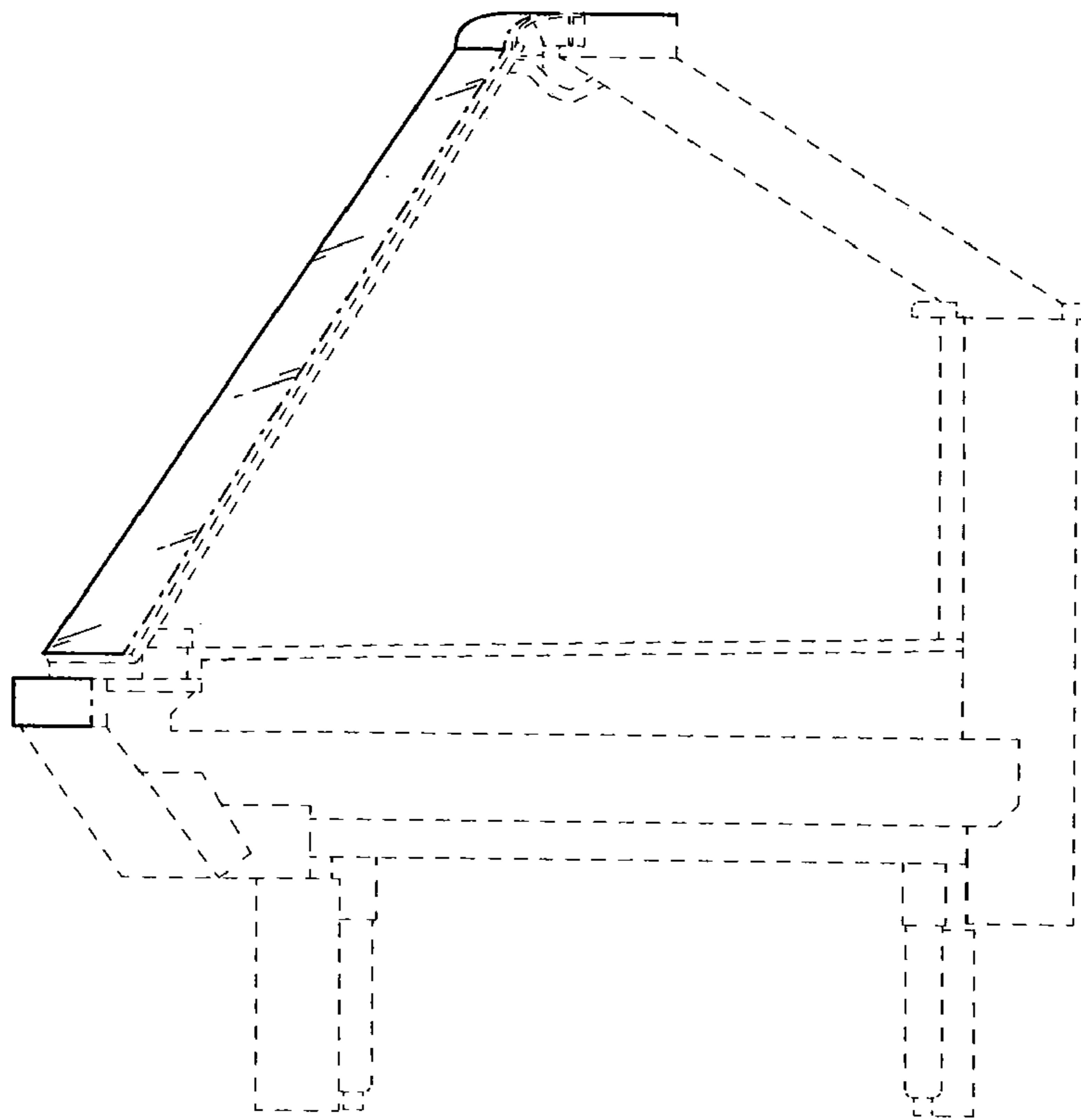
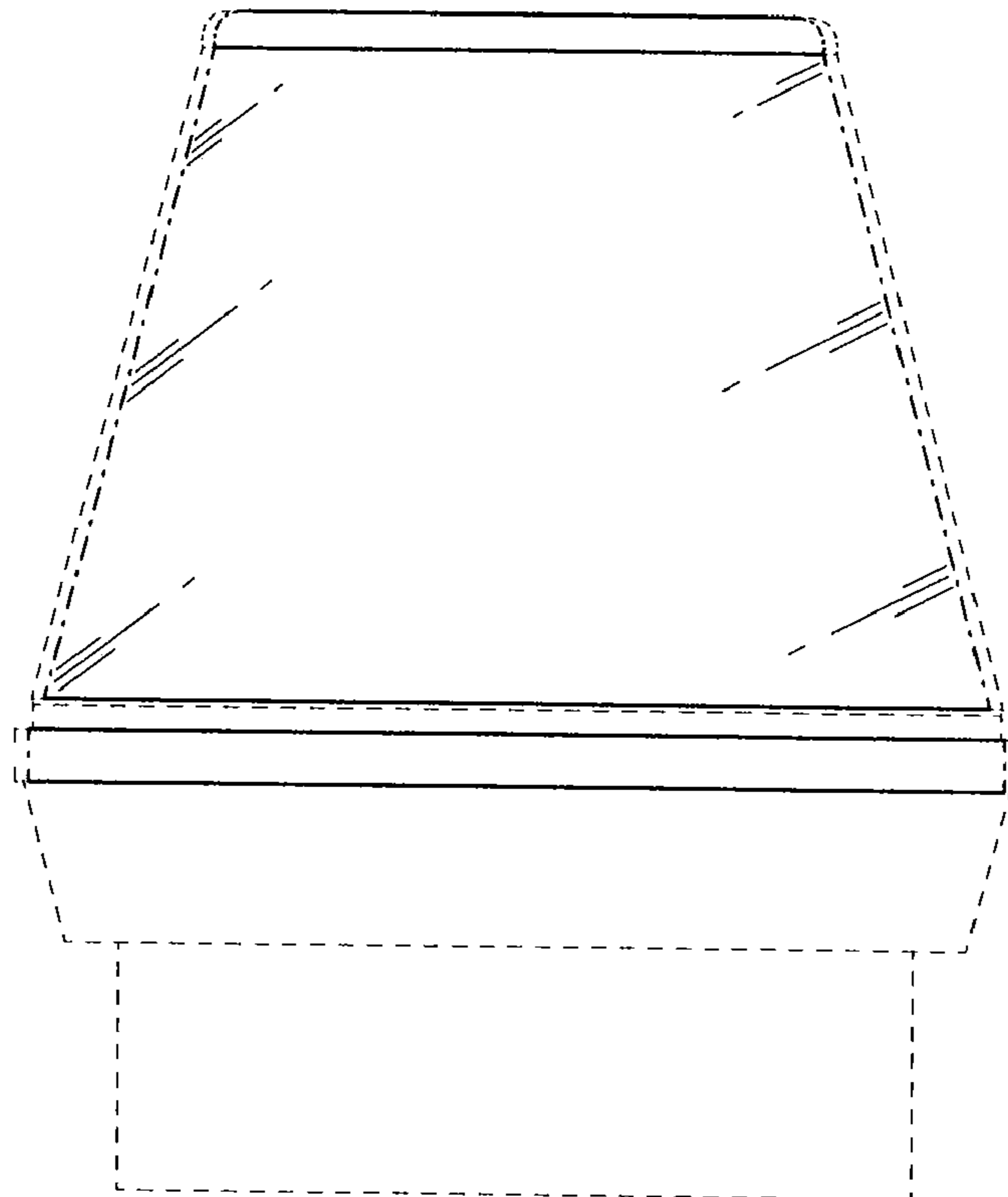


FIG. 2

FIG. 3



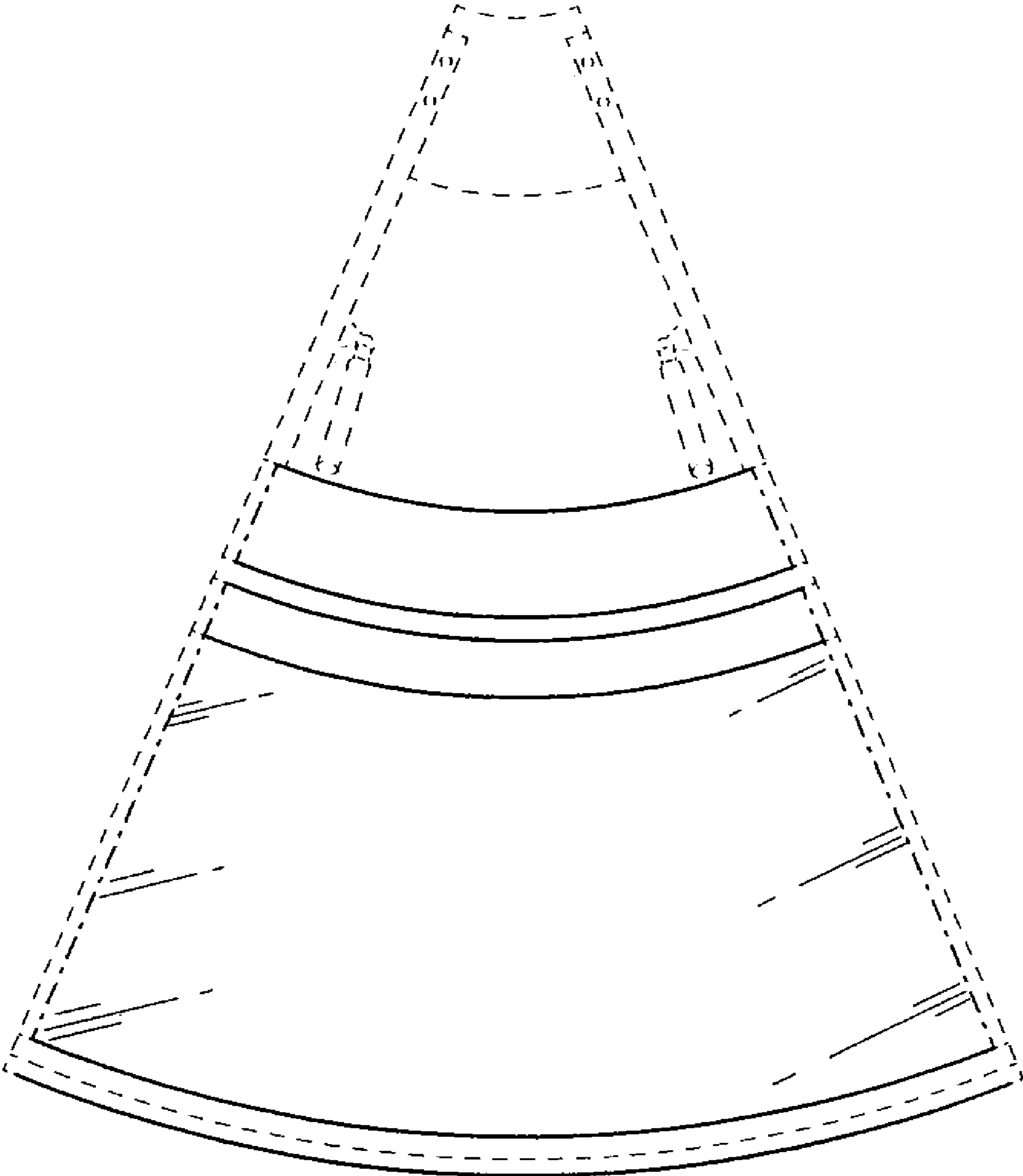


FIG. 4