



US00D555401S

(12) **United States Design Patent** (10) **Patent No.:** **US D555,401 S**
Adams (45) **Date of Patent:** **** Nov. 20, 2007**

(54) **STACKING SIDE TABLE**

(75) Inventor: **William E. Adams**, Portersville, PA
(US)

(73) Assignee: **Adams Mfg. Corp.**, Portersville, PA
(US)

(**) Term: **14 Years**

(21) Appl. No.: **29/261,294**

(22) Filed: **Jun. 12, 2006**

(51) **LOC (8) Cl.** **06-03**

(52) **U.S. Cl.** **D6/484**

(58) **Field of Classification Search** D6/480-489,
D6/495-499, 511, 429; D21/397; 108/150,
108/153.1, 155, 156, 157.1, 161; 248/188,
248/188.1, 188.8

See application file for complete search history.

D335,788 S * 5/1993 Grosfillex D6/484
D335,980 S 6/1993 Grosfillex
D341,279 S 11/1993 Goetz
D343,204 S * 1/1994 Schramer et al. D21/397
D355,315 S 2/1995 Walters
D359,406 S * 6/1995 Crawford et al. D6/484
D367,787 S 3/1996 VanSkiver et al.
D376,281 S * 12/1996 Robertson D6/484
D401,787 S * 12/1998 Zarker et al. D6/480
D490,254 S 5/2004 Stanton
D534,744 S * 1/2007 Bibi D6/484

* cited by examiner

Primary Examiner—Janice E. Seeger

(74) *Attorney, Agent, or Firm*—Buchanan Ingersoll &
Rooney PC

(57) **CLAIM**

The ornamental design for a stacking side table, as shown
and described.

(56) **References Cited**

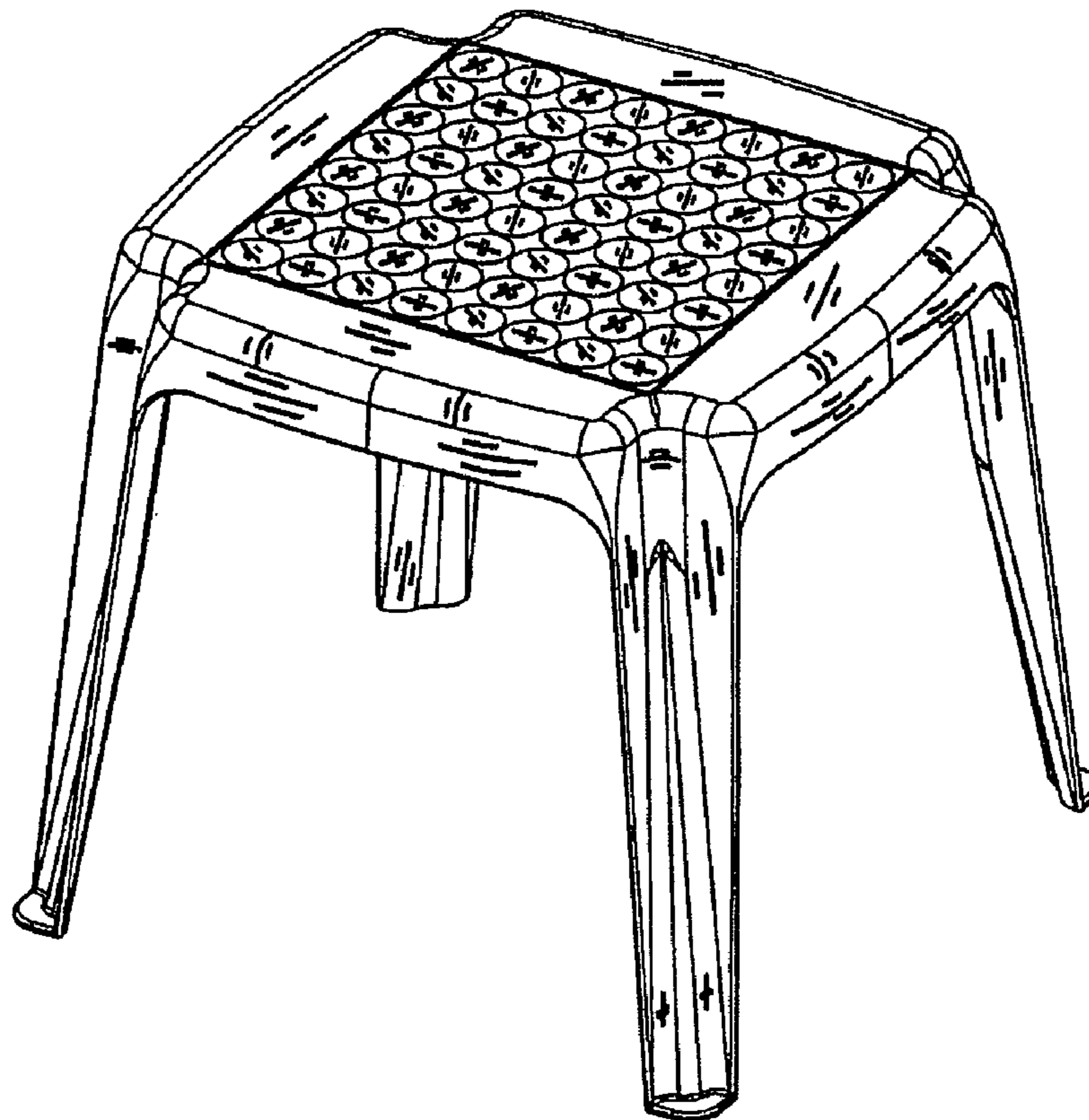
U.S. PATENT DOCUMENTS

D215,858 S 11/1969 Hamilton et al.
D224,494 S 8/1972 Kerman
4,065,125 A * 12/1977 Chan 473/14
D303,885 S 10/1989 Goetz
D317,839 S 7/1991 Pino
D335,053 S 4/1993 Morin

DESCRIPTION

FIG. 1 is a perspective view of my stacking side table;
FIG. 2 is a top view thereof;
FIG. 3 is a side view thereof; and,
FIG. 4 is a bottom view thereof.

1 Claim, 2 Drawing Sheets



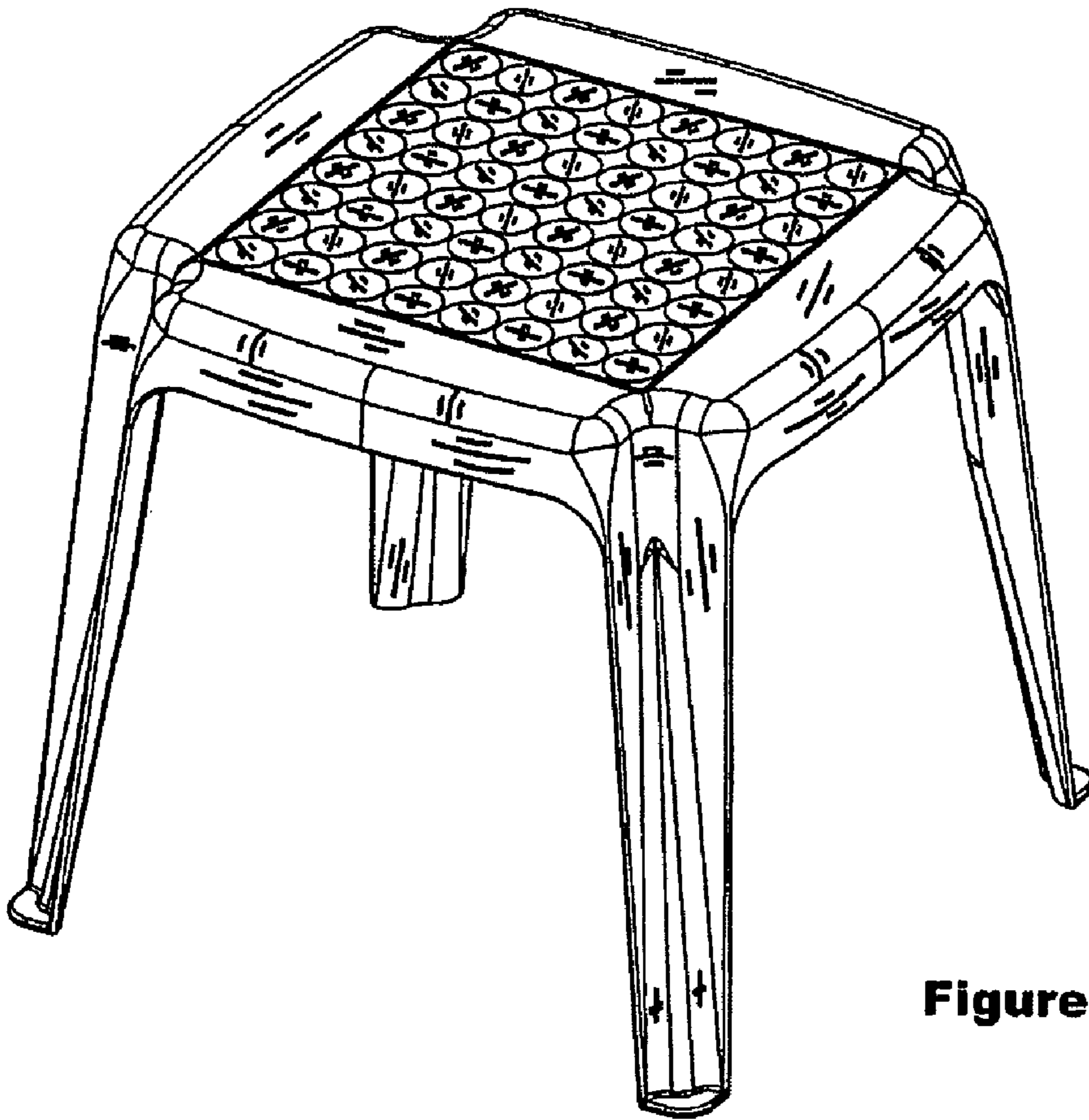


Figure 1

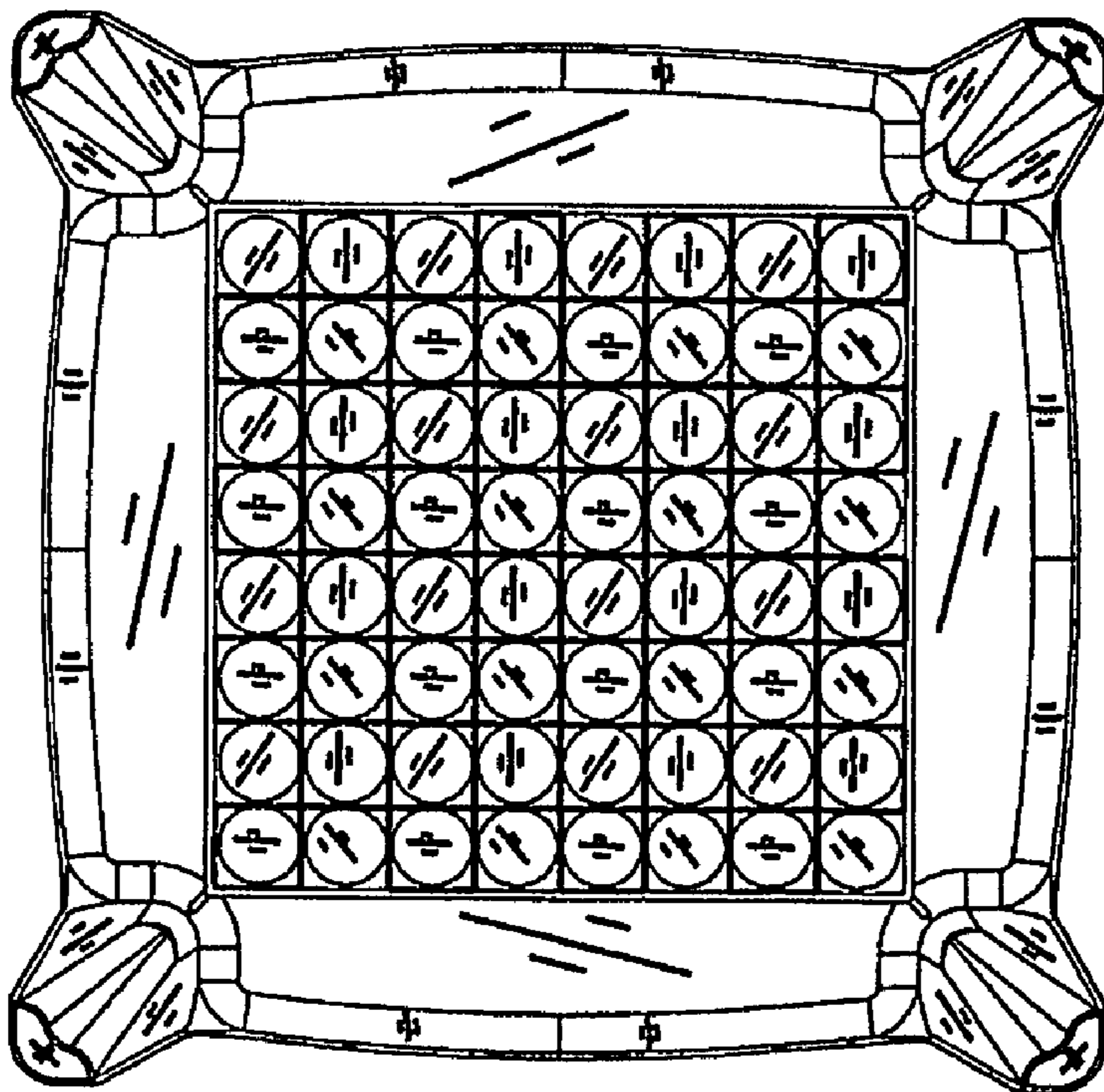


Figure 2

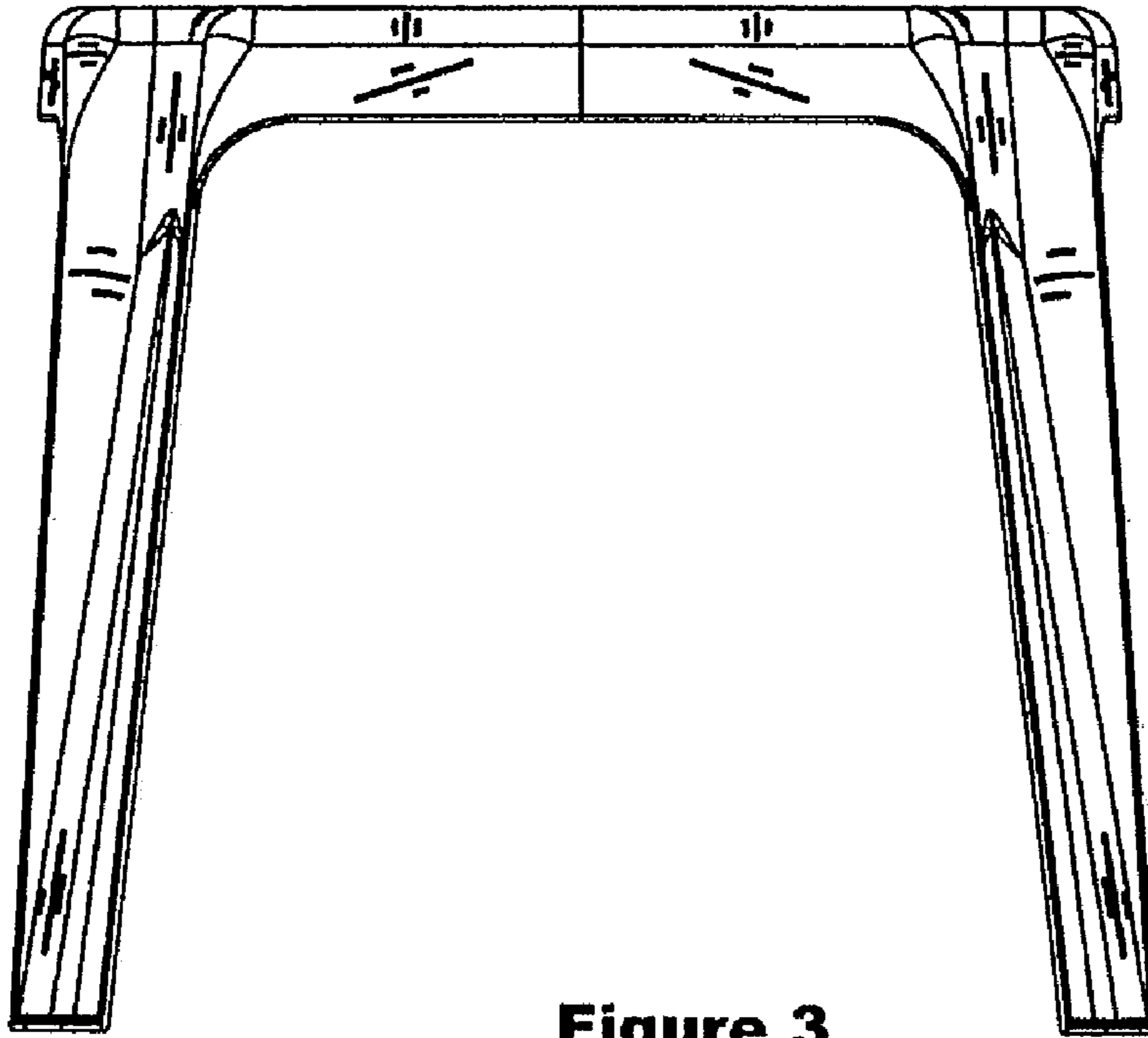


Figure 3

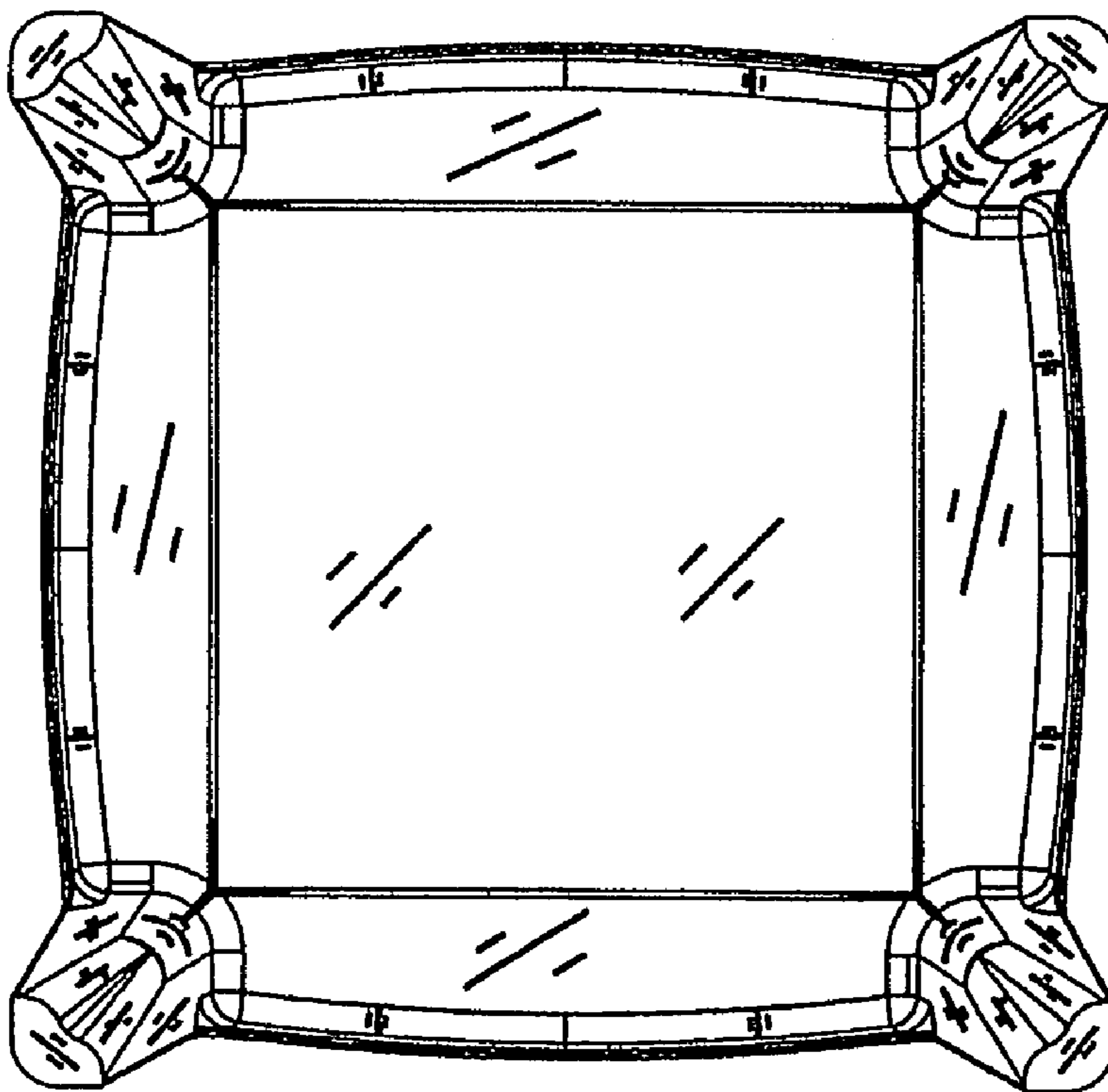


Figure 4