



US00D555400S

(12) **United States Design Patent**
Kowalik

(10) **Patent No.:** **US D555,400 S**

(45) **Date of Patent:** **** Nov. 20, 2007**

(54) **DESK**

(75) Inventor: **Daniel Kowalik**, Deerfield, IL (US)

(73) Assignee: **Bretford Manufacturing, Inc.**,
Franklin Park, IL (US)

(**) Term: **14 Years**

(21) Appl. No.: **29/258,577**

(22) Filed: **Apr. 24, 2006**

(51) **LOC (8) Cl.** **06-03**

(52) **U.S. Cl.** **D6/483**

(58) **Field of Classification Search** D6/480-489,
D6/495-499, 429, 511; 108/144.11, 147.19,
108/147.21, 153.1, 155, 157.1, 161, 116,
108/117, 120, 125, 129, 130; 248/188, 188.1,
248/188.8

See application file for complete search history.

(56) **References Cited**

U.S. PATENT DOCUMENTS

1,293,952	A *	2/1919	Shirley	D6/427
D152,330	S *	1/1949	Dillon	D6/477
D480,583	S *	10/2003	Risdall	D6/483
D486,017	S *	2/2004	Stanton	D6/484
6,823,802	B2 *	11/2004	Butts, Jr.	108/25
D523,663	S *	6/2006	Risdall	D6/480

* cited by examiner

Primary Examiner—Janice E. Seeger

(74) *Attorney, Agent, or Firm*—John C. Gorecki

(57) **CLAIM**

The ornamental design for a desk, as shown and described.

DESCRIPTION

FIG. 1 is a front perspective view of a desk embodying my novel design;

FIG. 2 is an elevational view of the front of the desk of FIG. 1;

FIG. 3 is an elevational view of the left side of the desk of FIG. 1;

FIG. 4 is an elevational view of the right side of the desk of FIG. 1;

FIG. 5 is an elevational view of the rear of the desk of FIG. 1;

FIG. 6 is a rear perspective view of the desk of FIG. 1;

FIG. 7 is a plan view of the bottom of the desk of FIG. 1;

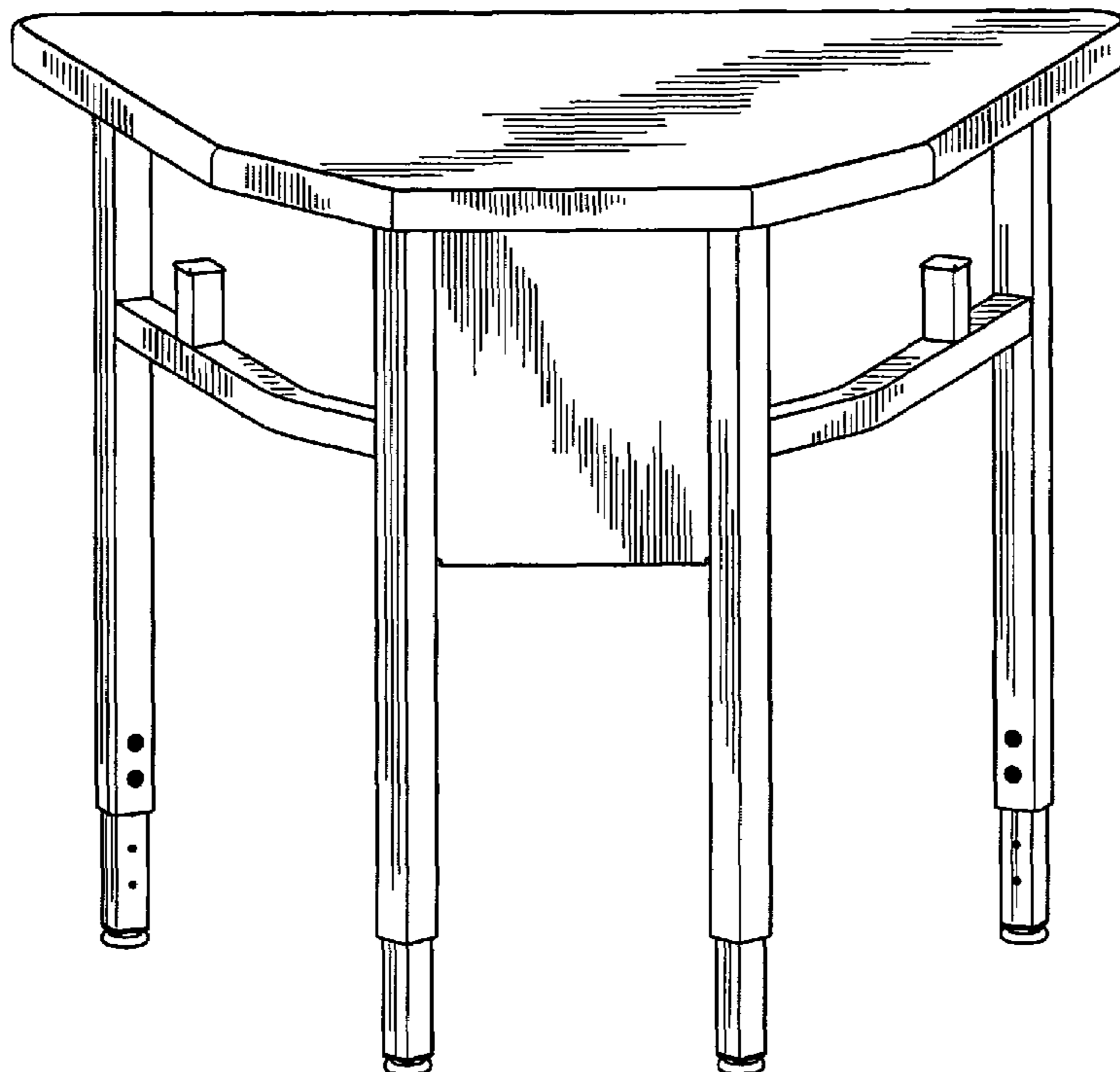
FIG. 8 is a plan view of the top of the desk of FIG. 1;

FIG. 9 is a top plan view showing the desk in a huddle arrangement with seven of the same desks; and,

FIG. 10 is a top plan view showing the desk in a huddle arrangement with three of the same desks.

The broken lines shown in the drawings are for environmental purposes only and form no part of the claimed design.

1 Claim, 10 Drawing Sheets



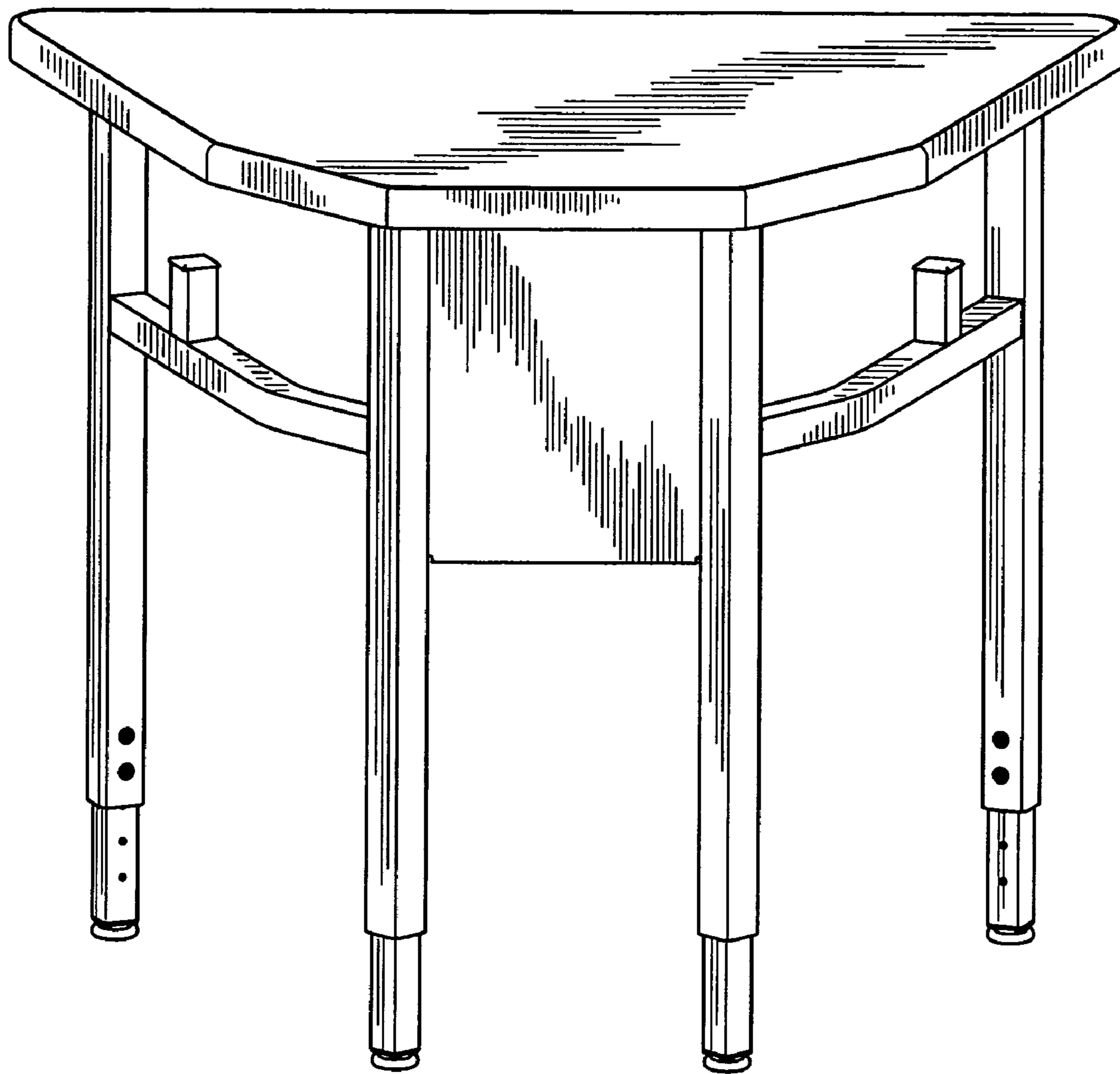


FIG. 1

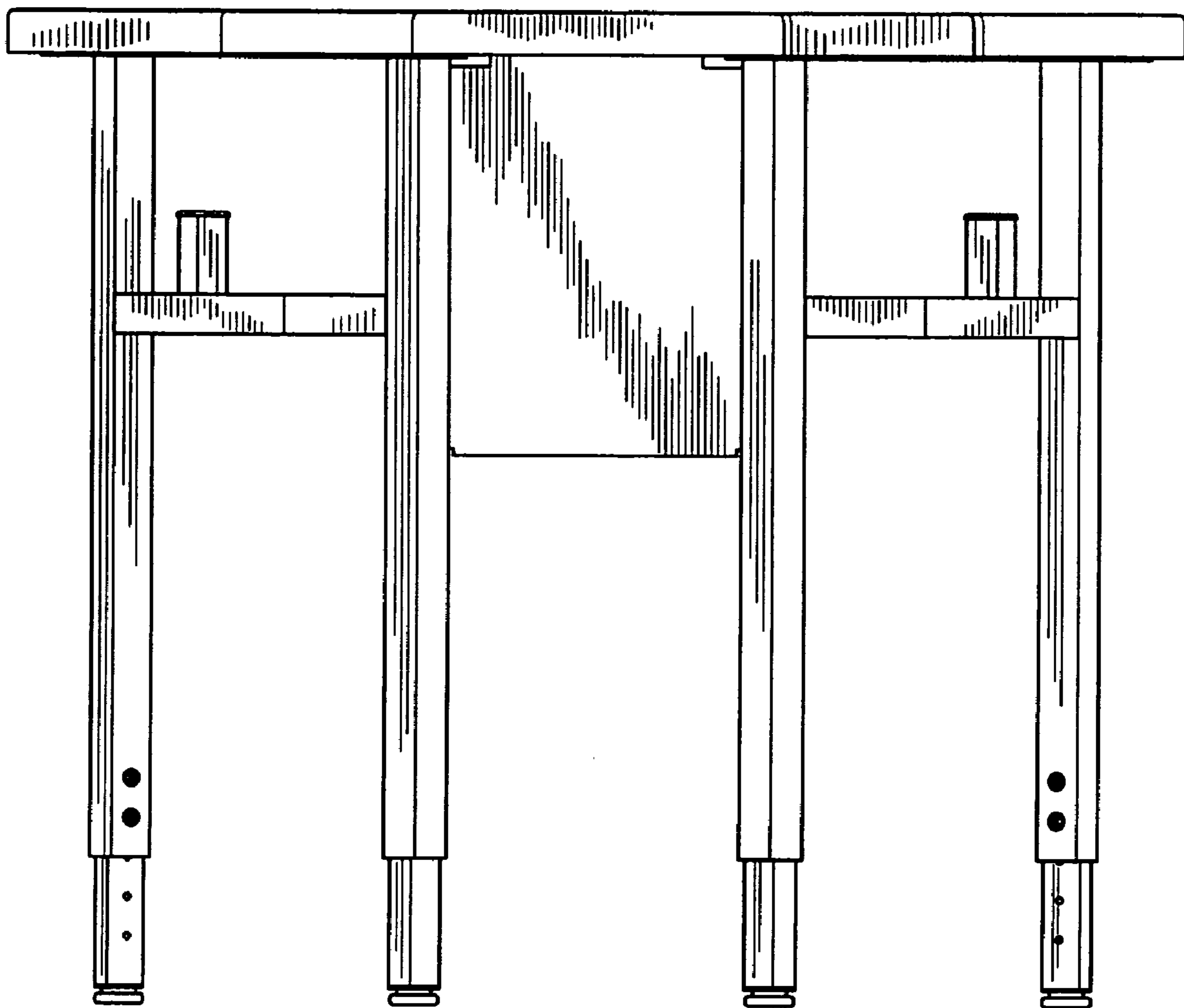


FIG. 2

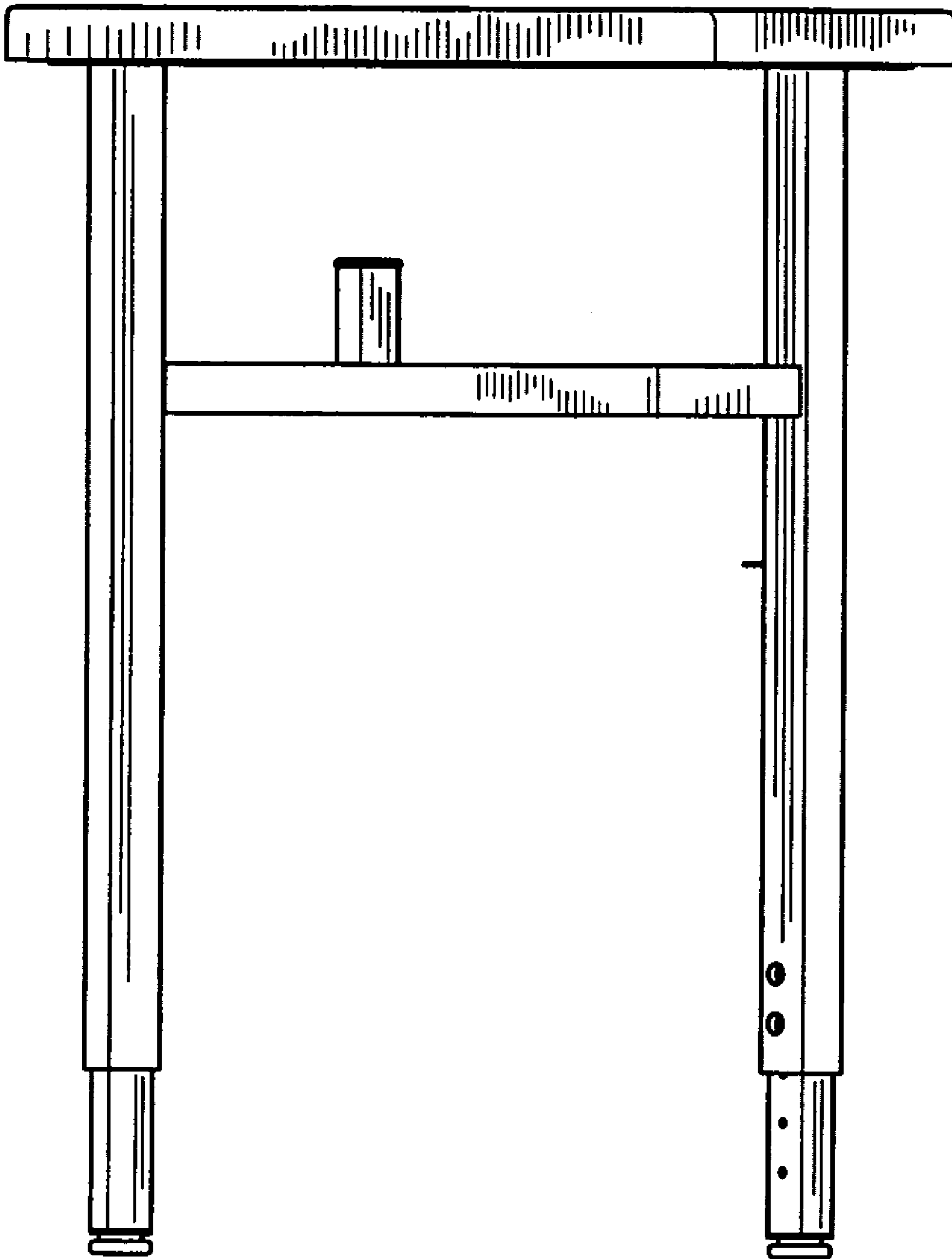


FIG. 3

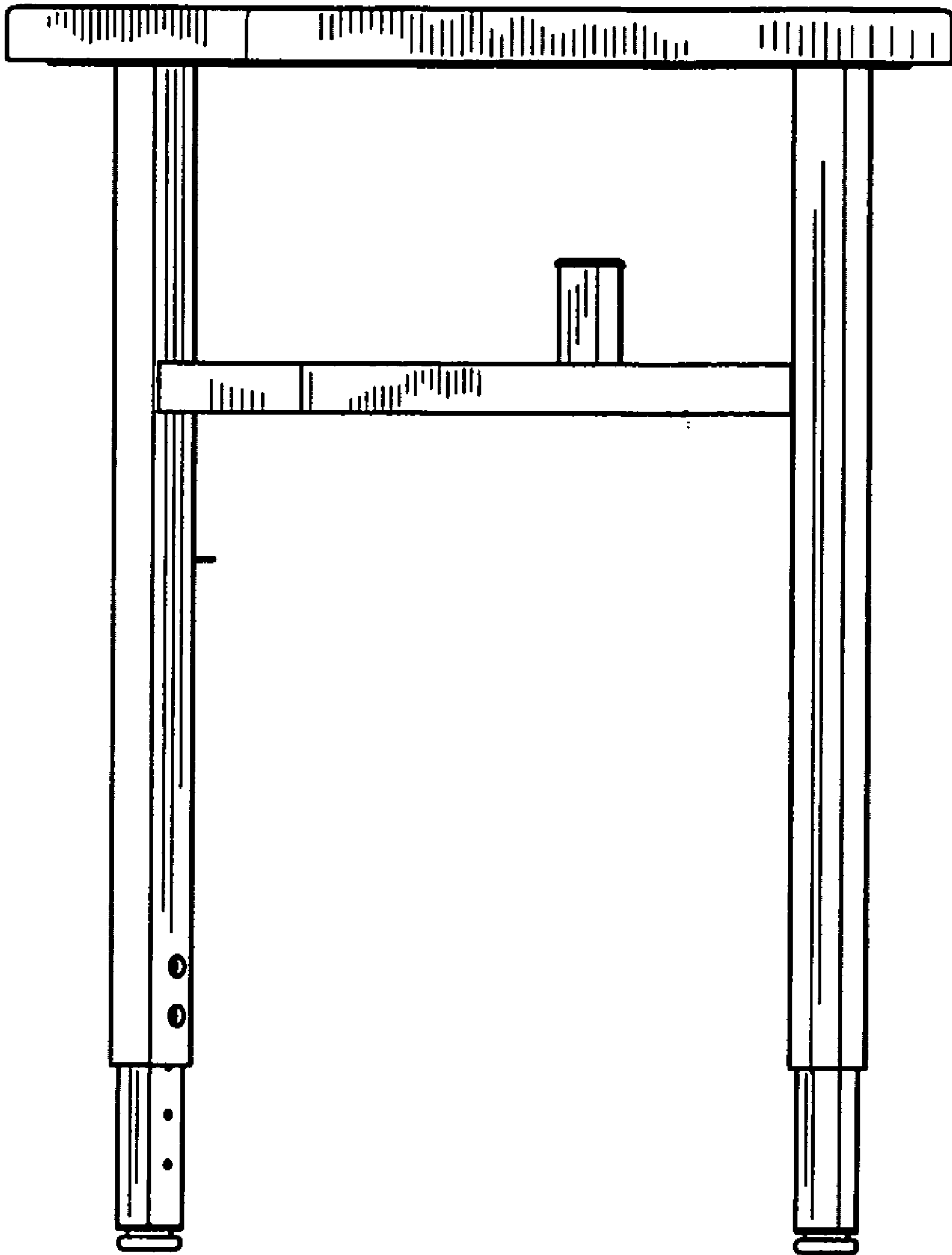


FIG. 4

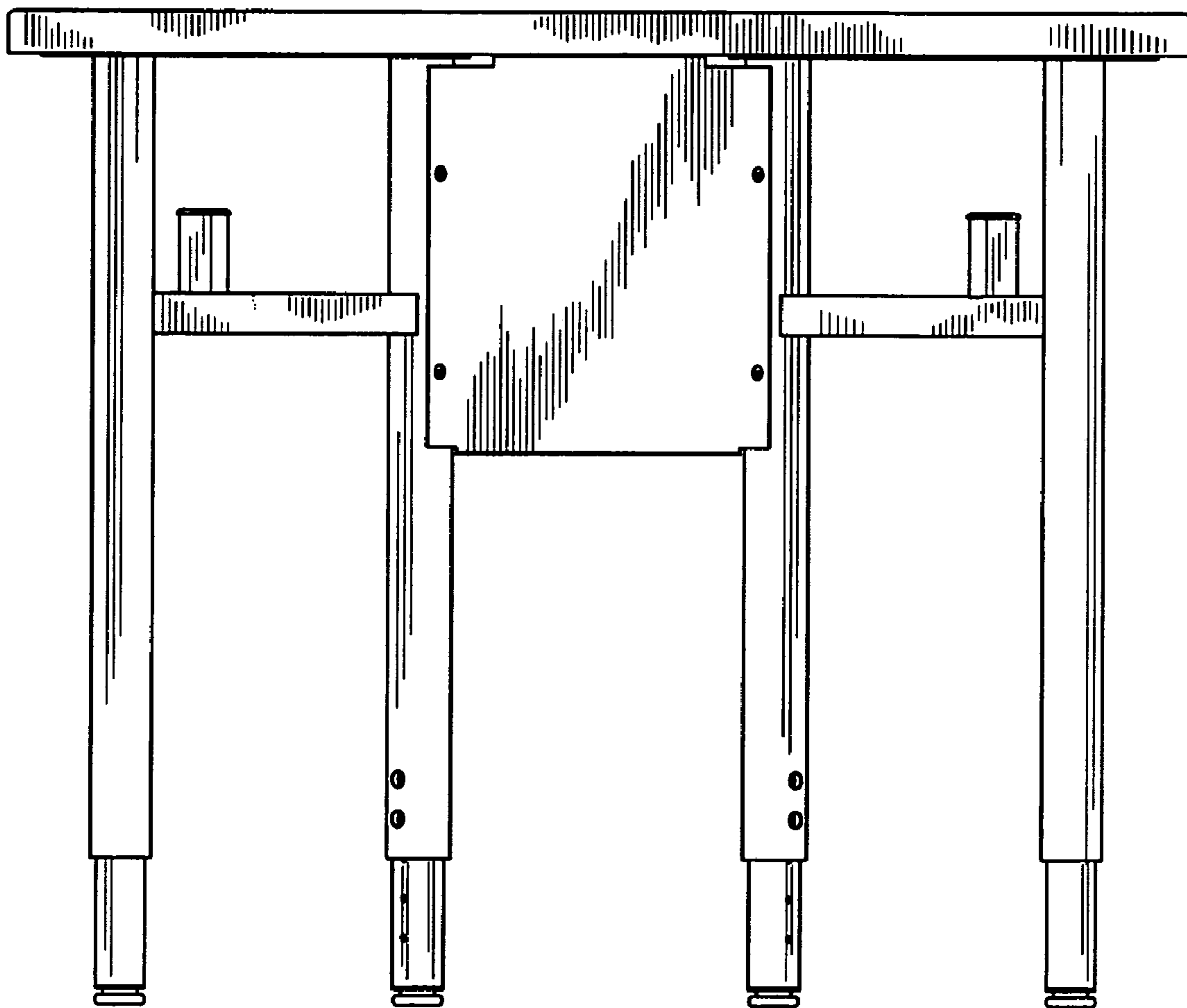


FIG. 5

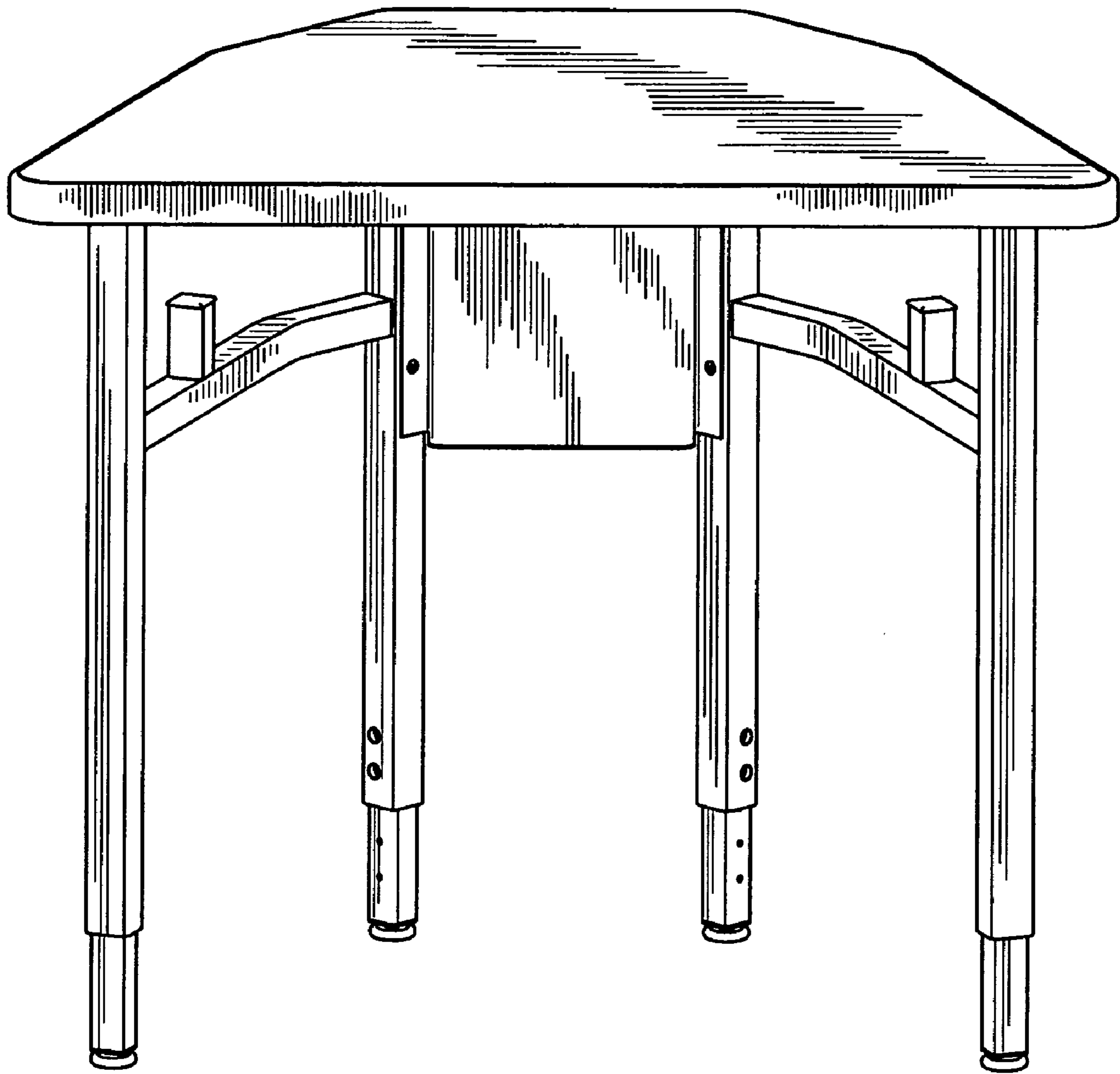


FIG. 6

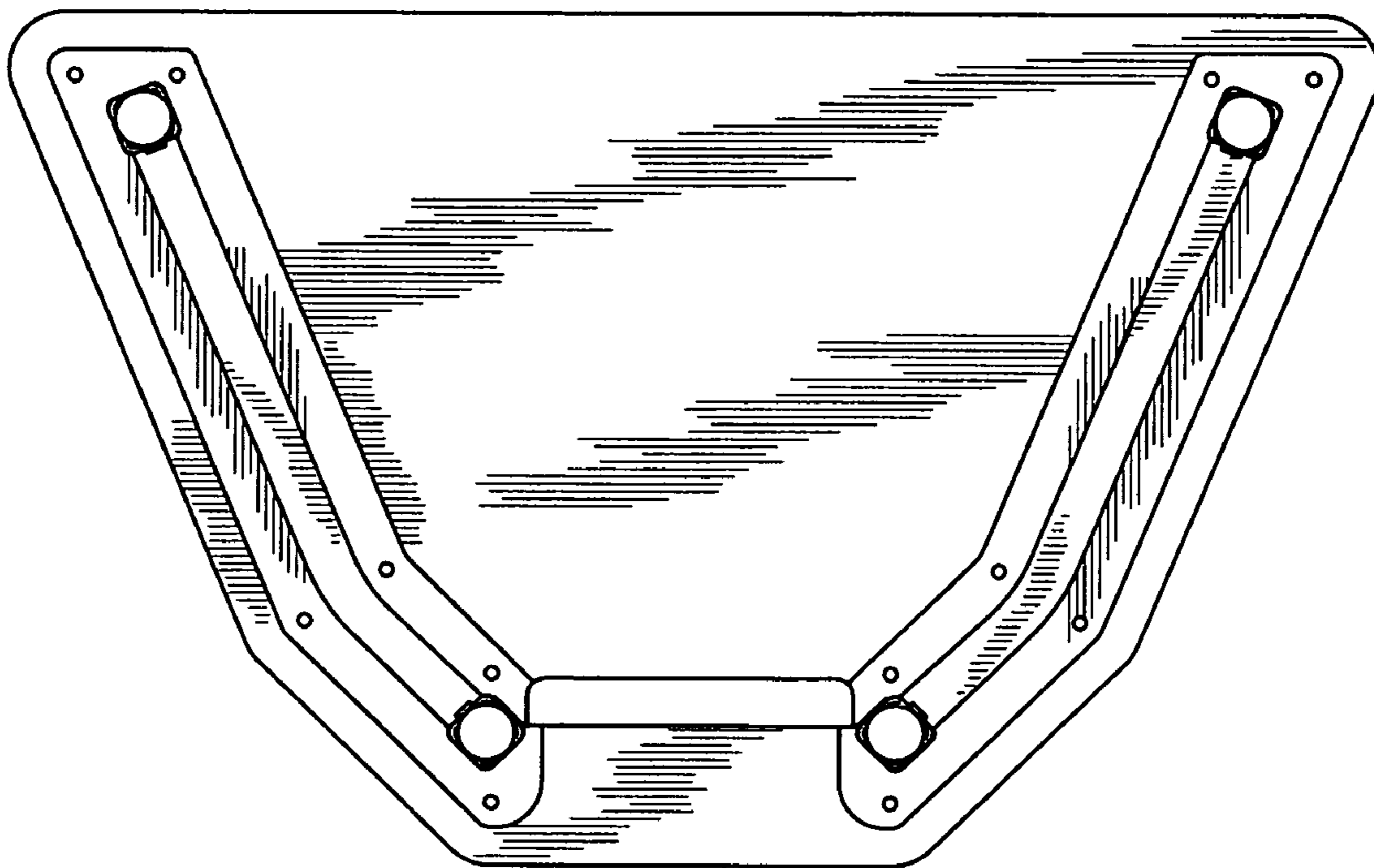


FIG. 7

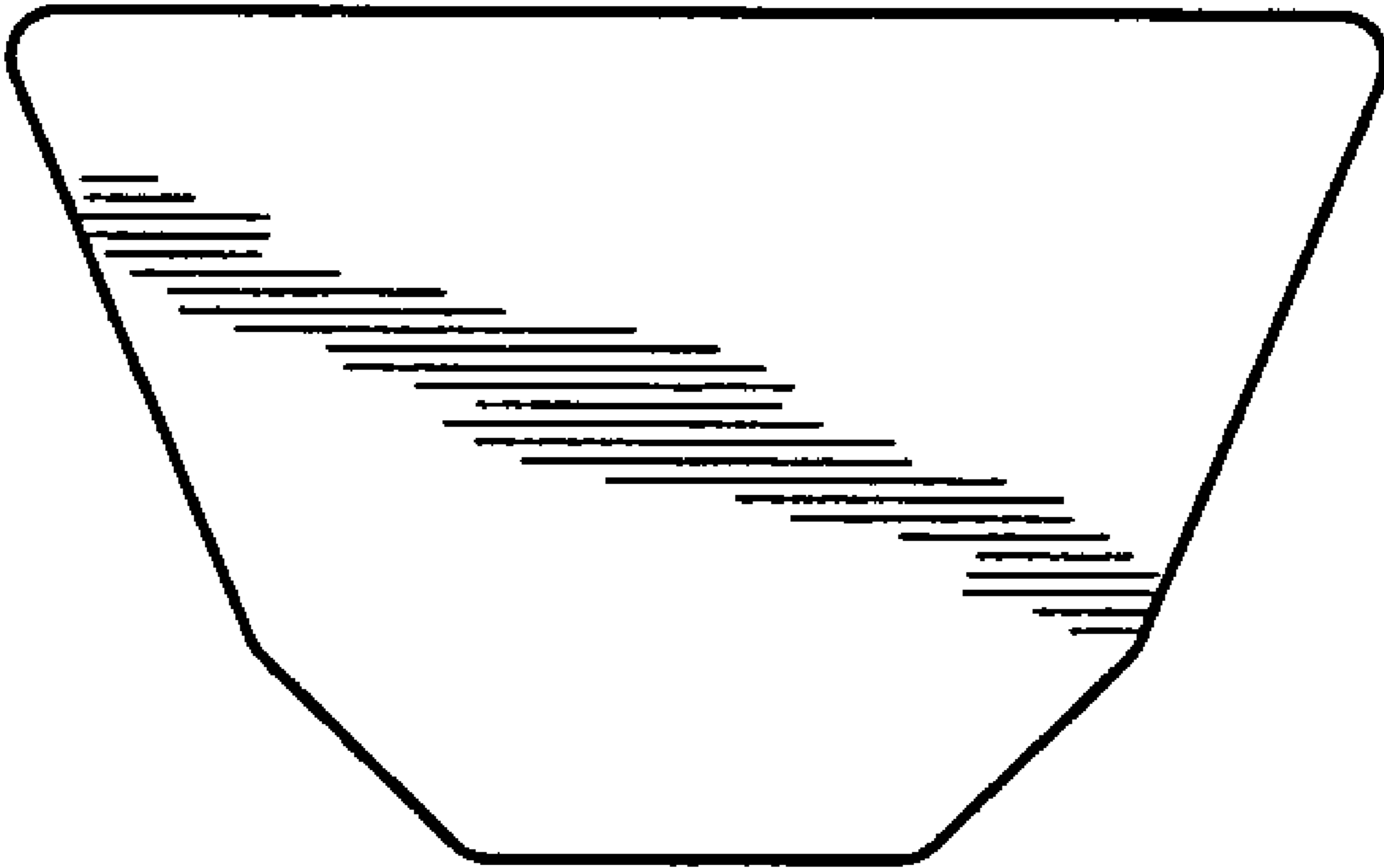


FIG. 8

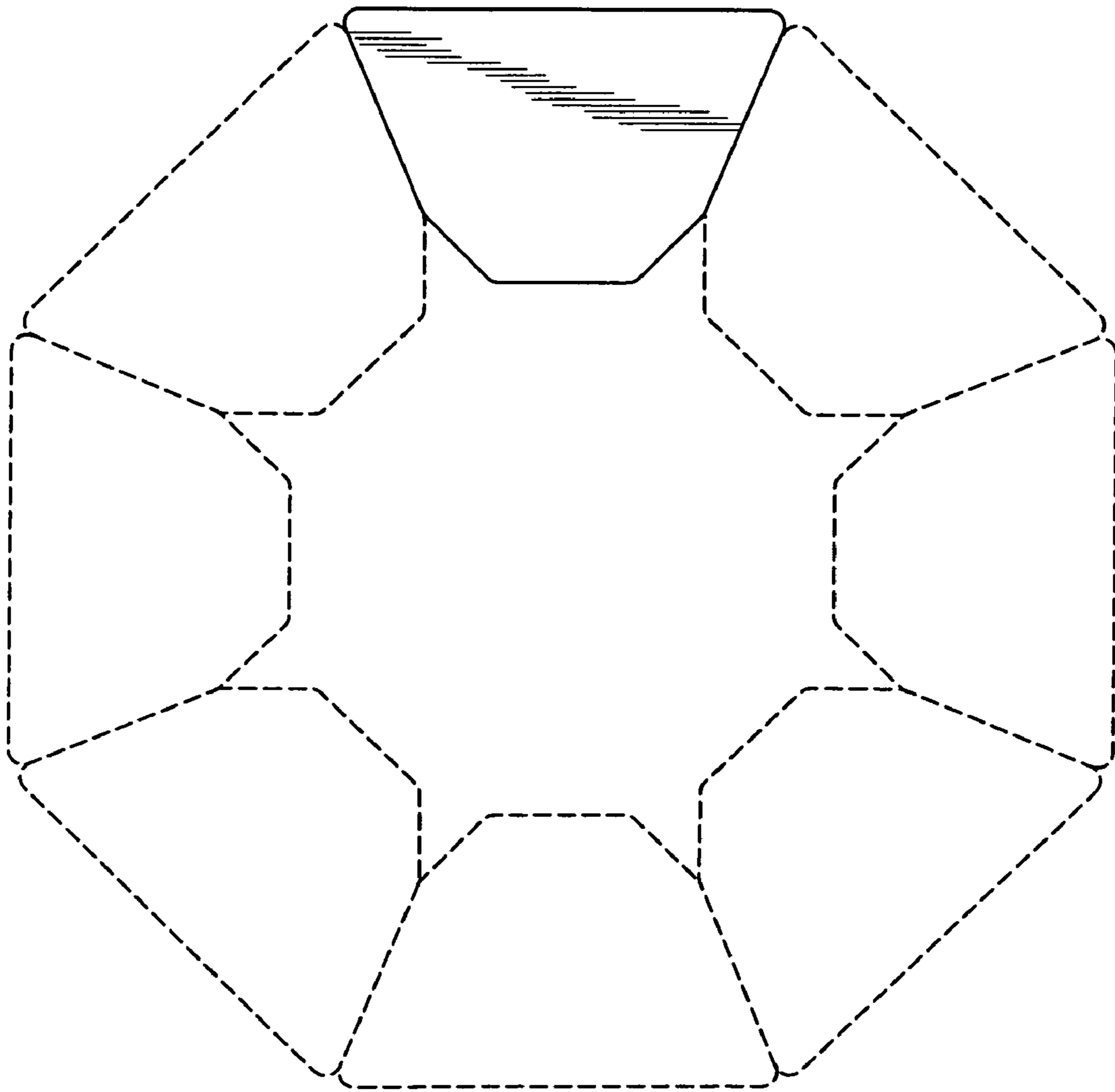


FIG. 9

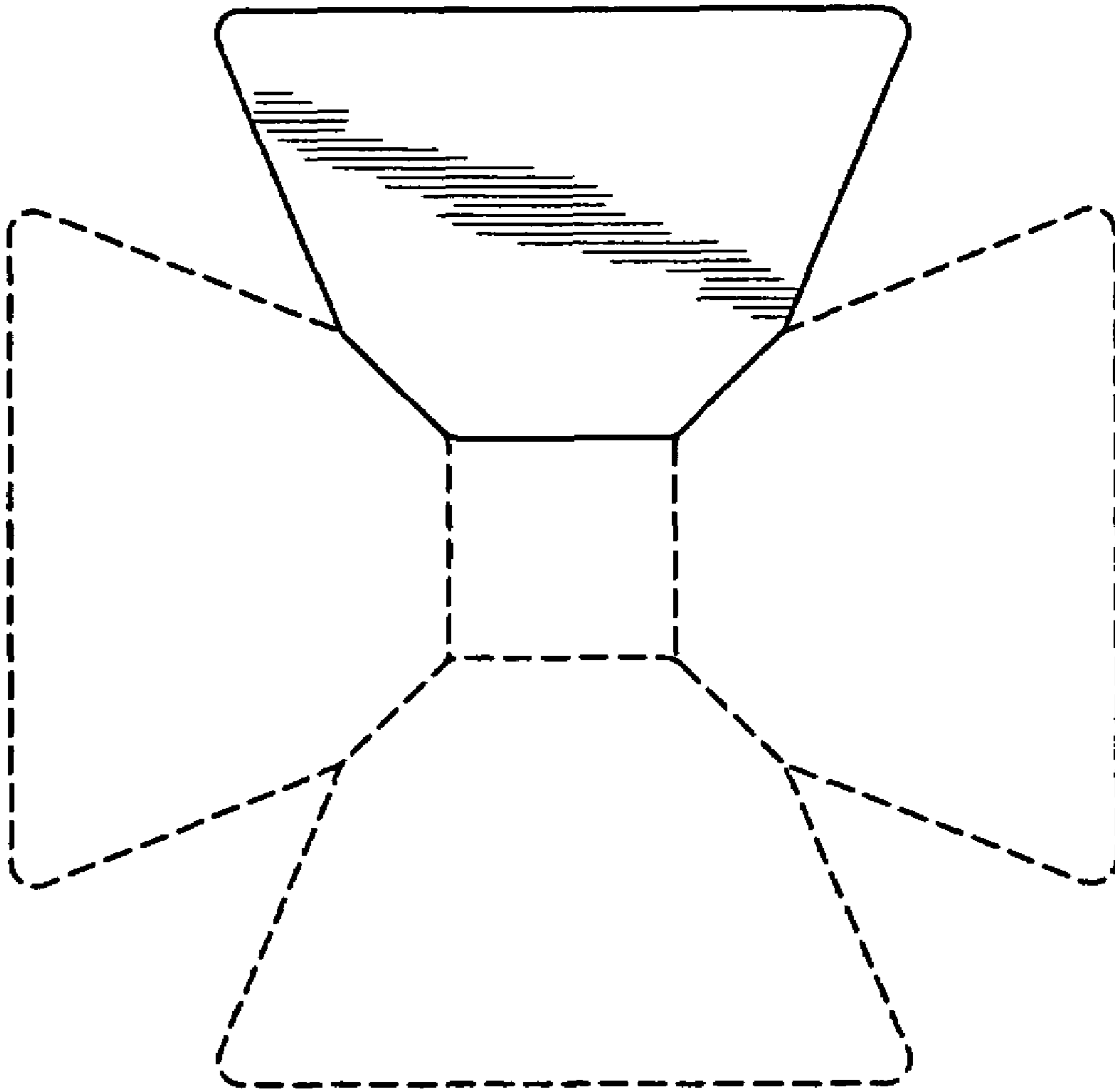


FIG. 10