



US00D555399S

(12) **United States Design Patent**
Tsai

(10) **Patent No.:** **US D555,399 S**

(45) **Date of Patent:** **** Nov. 20, 2007**

(54) **STORAGE CUBE**

(75) **Inventor:** **Ritter Tsai**, No. 31, Kuang Fu Road,
Erh Lin Town, Changhua Hsien (TW)

(73) **Assignees:** **Ritter Tsai**, Erh Lin Town (TW);
Edifice Co., Ltd, Taipei (TW)

(**) **Term:** **14 Years**

(21) **Appl. No.:** **29/248,197**

(22) **Filed:** **Aug. 2, 2006**

(51) **LOC (8) Cl.** **06-04**

(52) **U.S. Cl.** **D6/478**

(58) **Field of Classification Search** D6/477-479,
D6/473-474, 475-476, 396-397, 465, 514;
211/188, 34, 187, 153, 189, 194; 312/108,
312/140, 297, 111, 265.1, 265.2, 265.5, 117;
108/60-61, 64, 90

See application file for complete search history.

(56) **References Cited**

U.S. PATENT DOCUMENTS

3,913,289	A *	10/1975	Recker	312/140
4,470,647	A *	9/1984	Bishoff et al.	312/111
4,844,566	A *	7/1989	Moore et al.	312/108
5,466,057	A *	11/1995	Blankenburg	312/108
5,715,956	A *	2/1998	Yoshida	211/182
5,749,477	A *	5/1998	Chang	211/40
D396,581	S *	8/1998	Schubert	D6/478

D455,292	S *	4/2002	Hardy et al.	D6/449
6,669,036	B1 *	12/2003	Yang et al.	211/181.1
D506,613	S *	6/2005	Gusdorf	D3/304
7,048,346	B2 *	5/2006	Saravis	312/111
7,128,379	B1 *	10/2006	LaBonia et al.	312/351
2006/0207657	A1 *	9/2006	Chen	211/188

* cited by examiner

Primary Examiner—Cathron C. Brooks
Assistant Examiner—Kelley A. Donnelly

(74) *Attorney, Agent, or Firm*—Alan Kamrath; Kamrath &
Associate PA

(57) **CLAIM**

The ornamental design for storage cube, as shown and described.

DESCRIPTION

FIG. 1 is a perspective view of a storage cube showing my new design, with one of the corner elements show at an enlarged scale;

FIG. 2 is a front view thereof;

FIG. 3 is a rear view thereof;

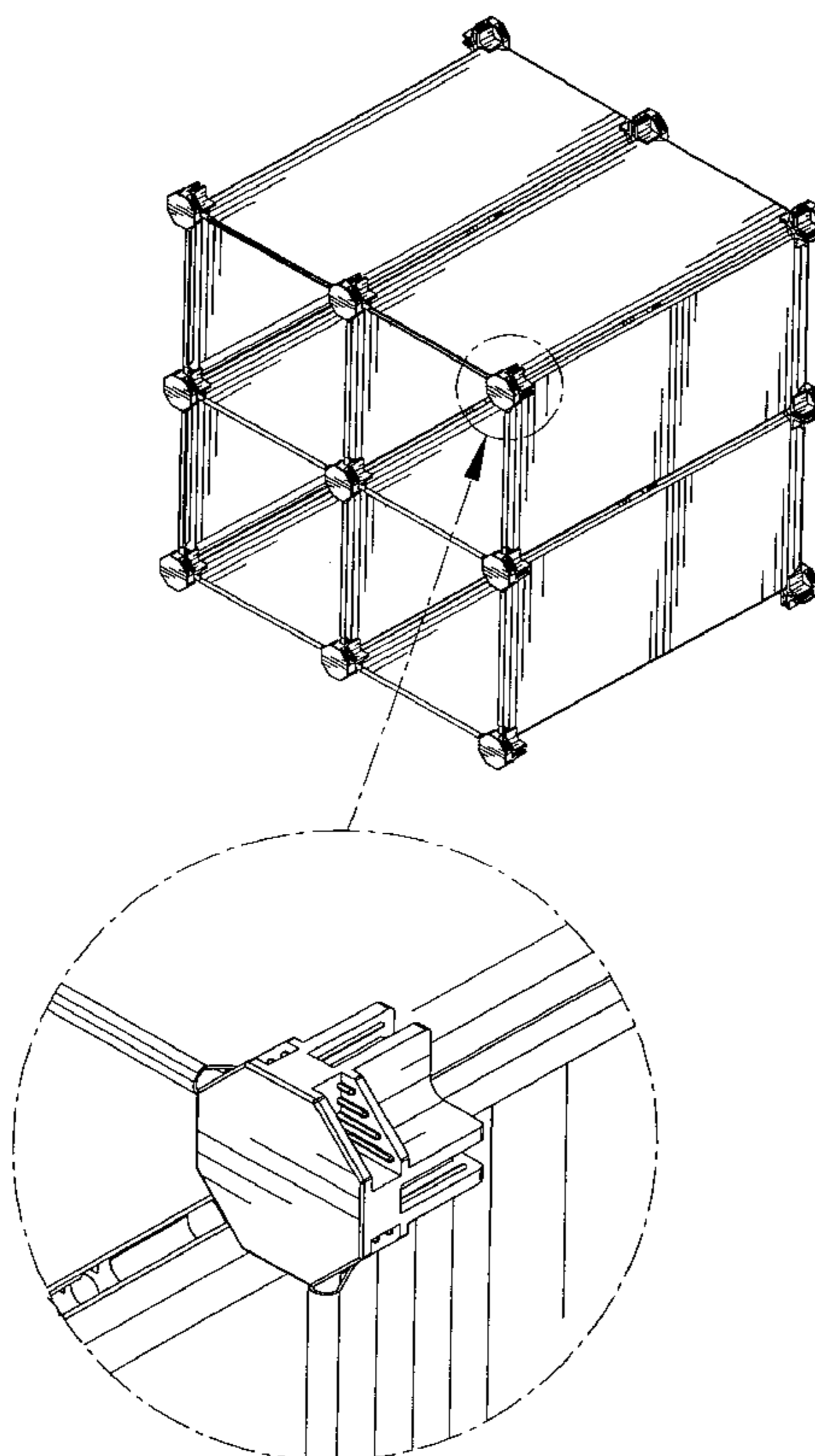
FIG. 4 is a left view thereof;

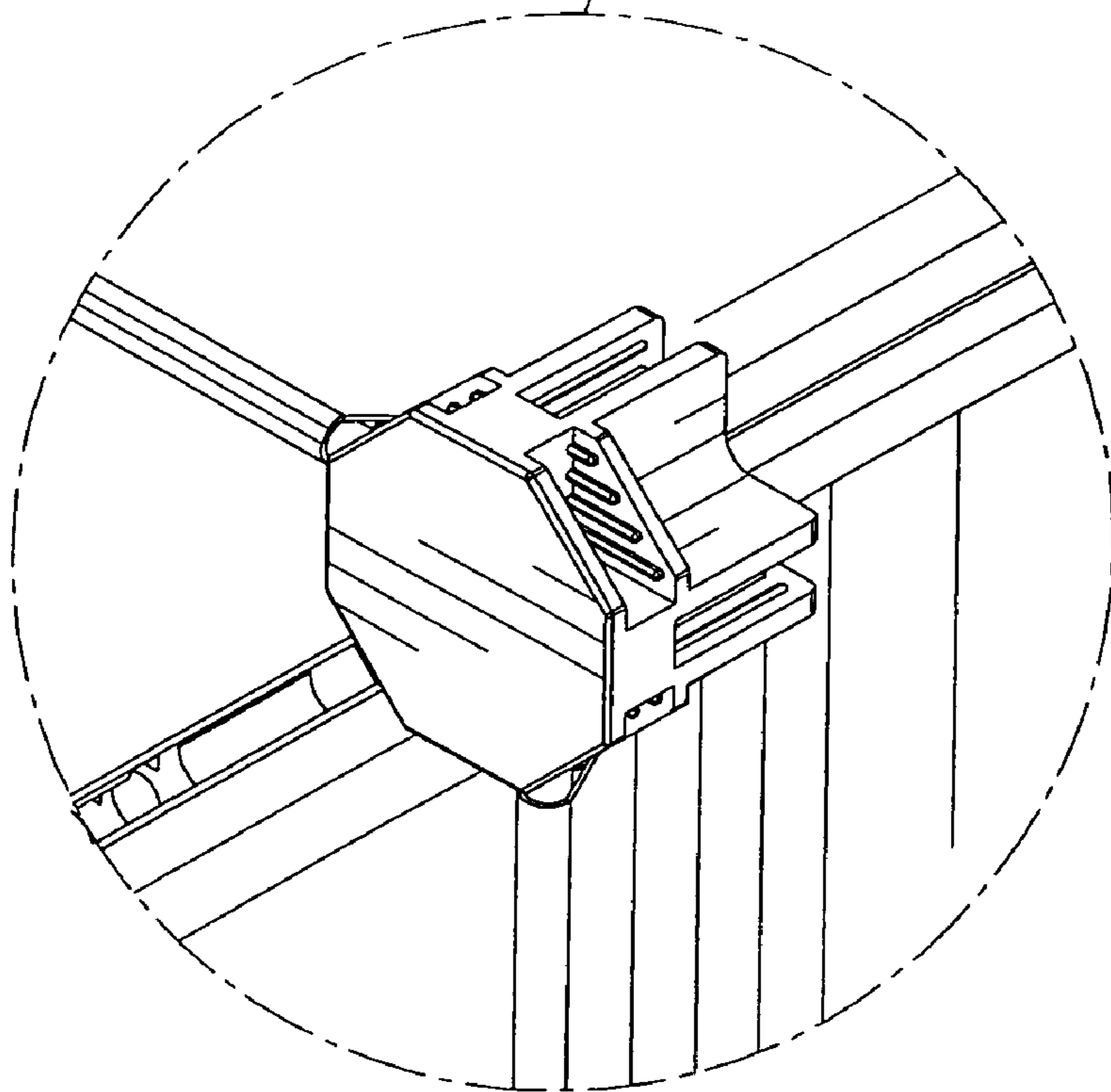
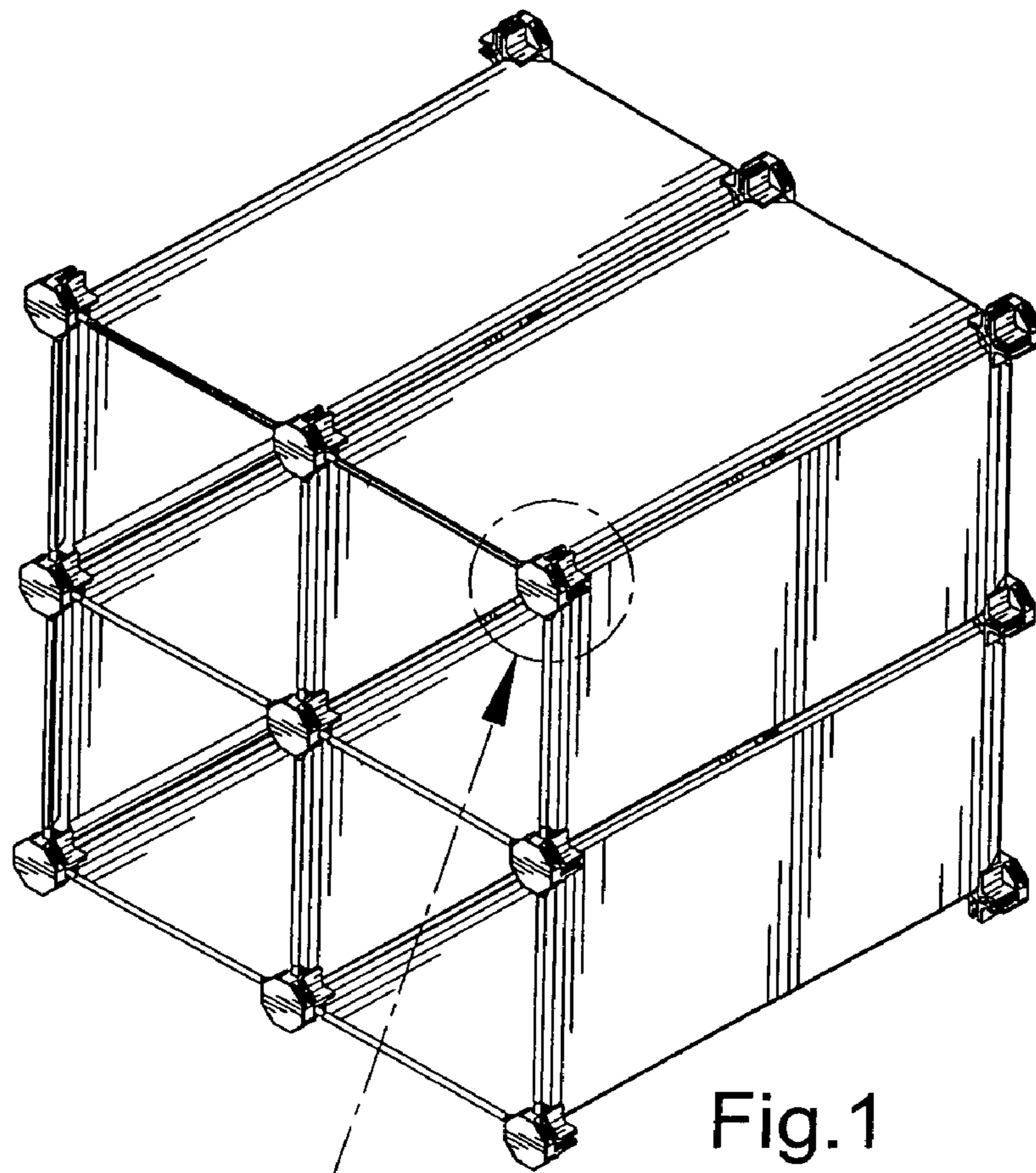
FIG. 5 is a right view thereof;

FIG. 6 is a top view thereof; and,

FIG. 7 is a bottom view thereof.

1 Claim, 4 Drawing Sheets





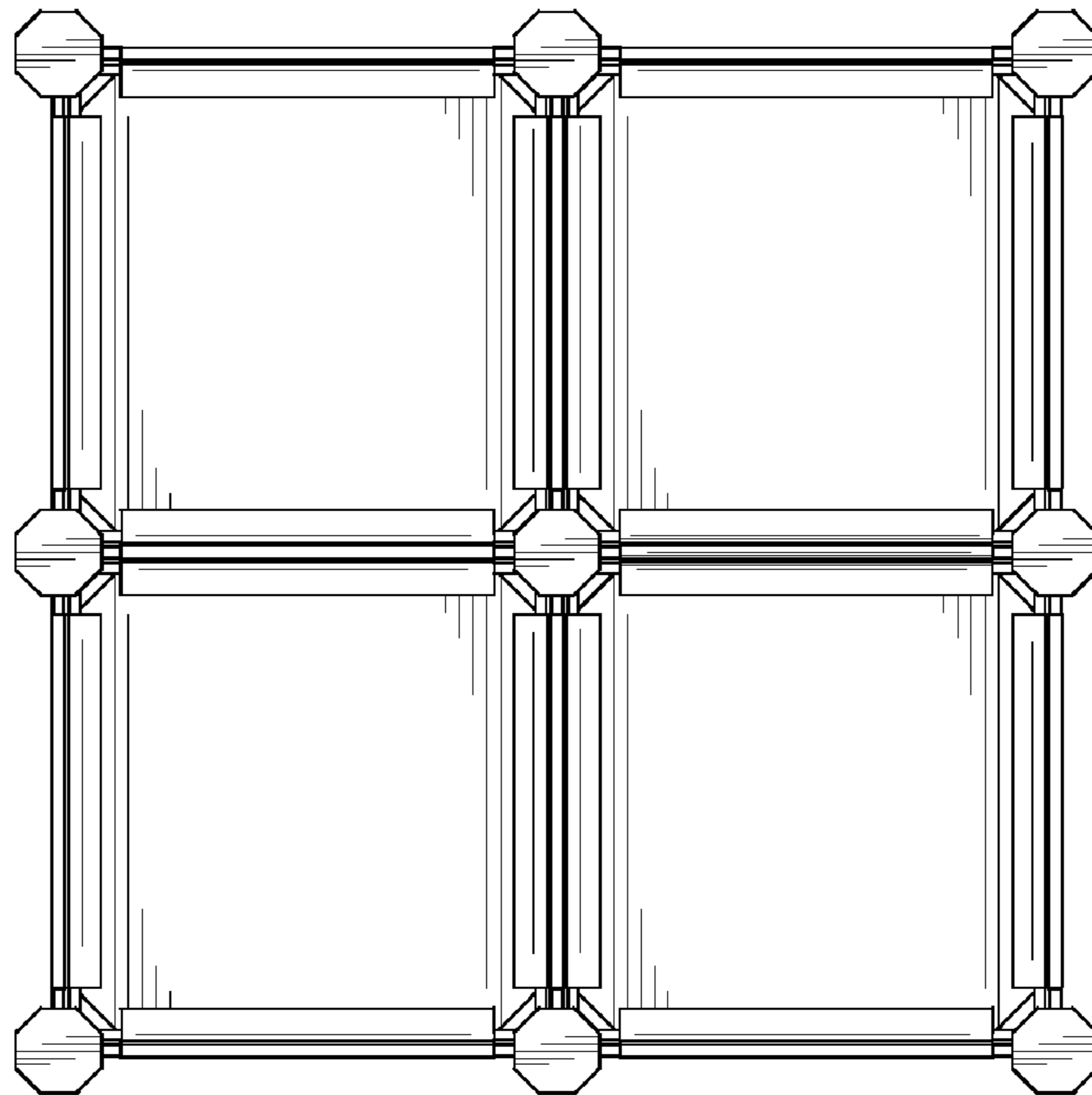


Fig.2

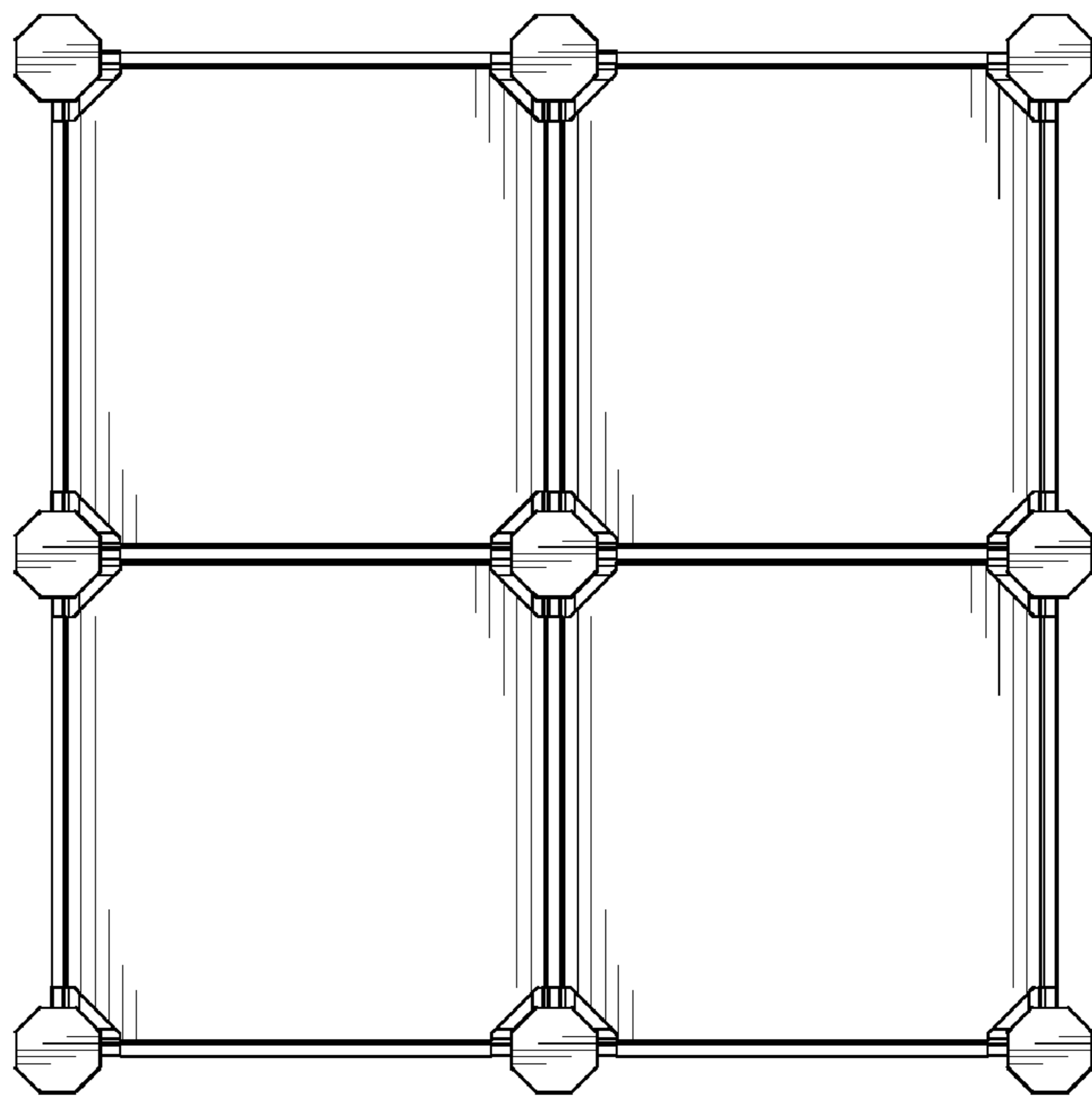


Fig.3

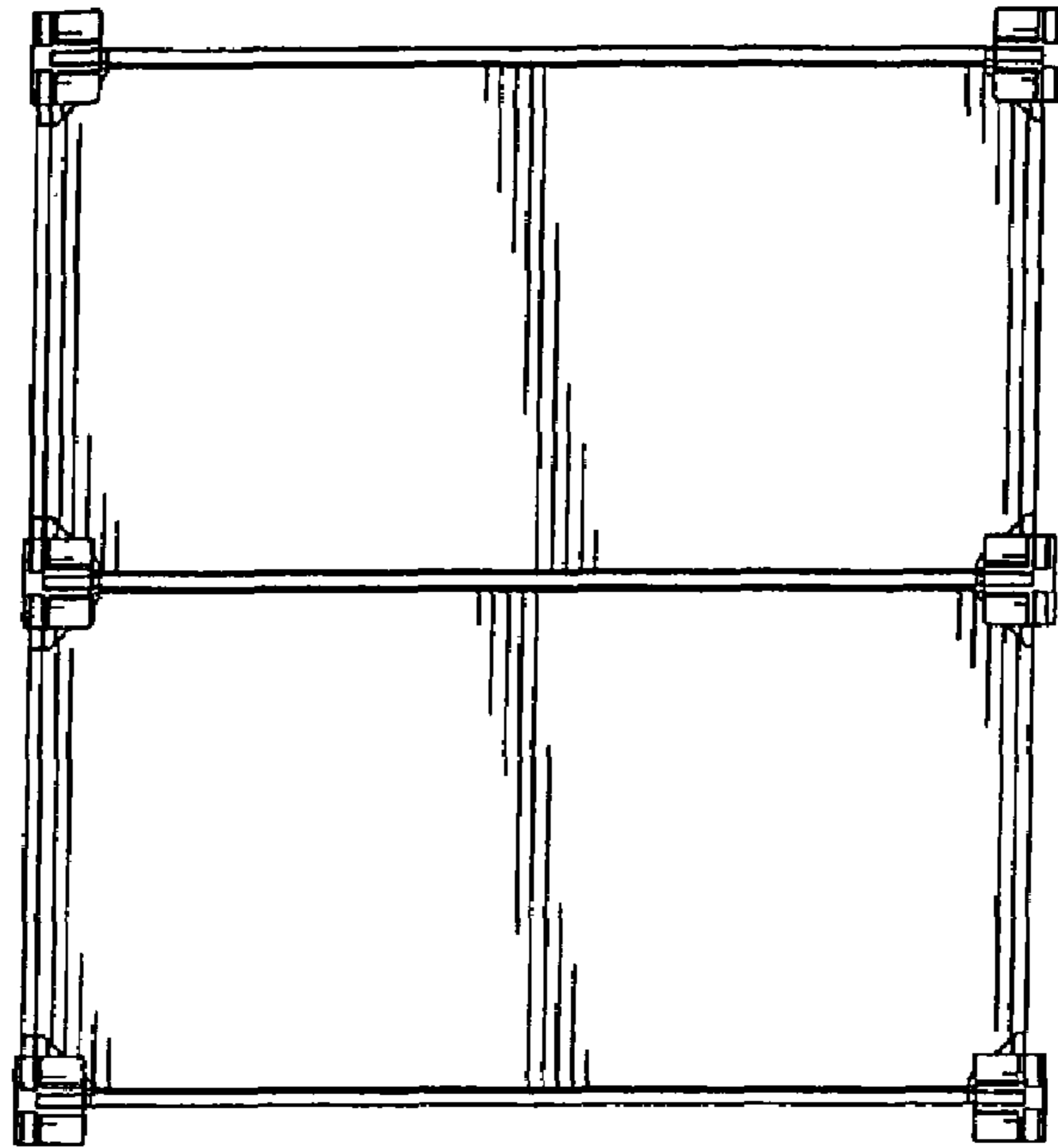


Fig.4

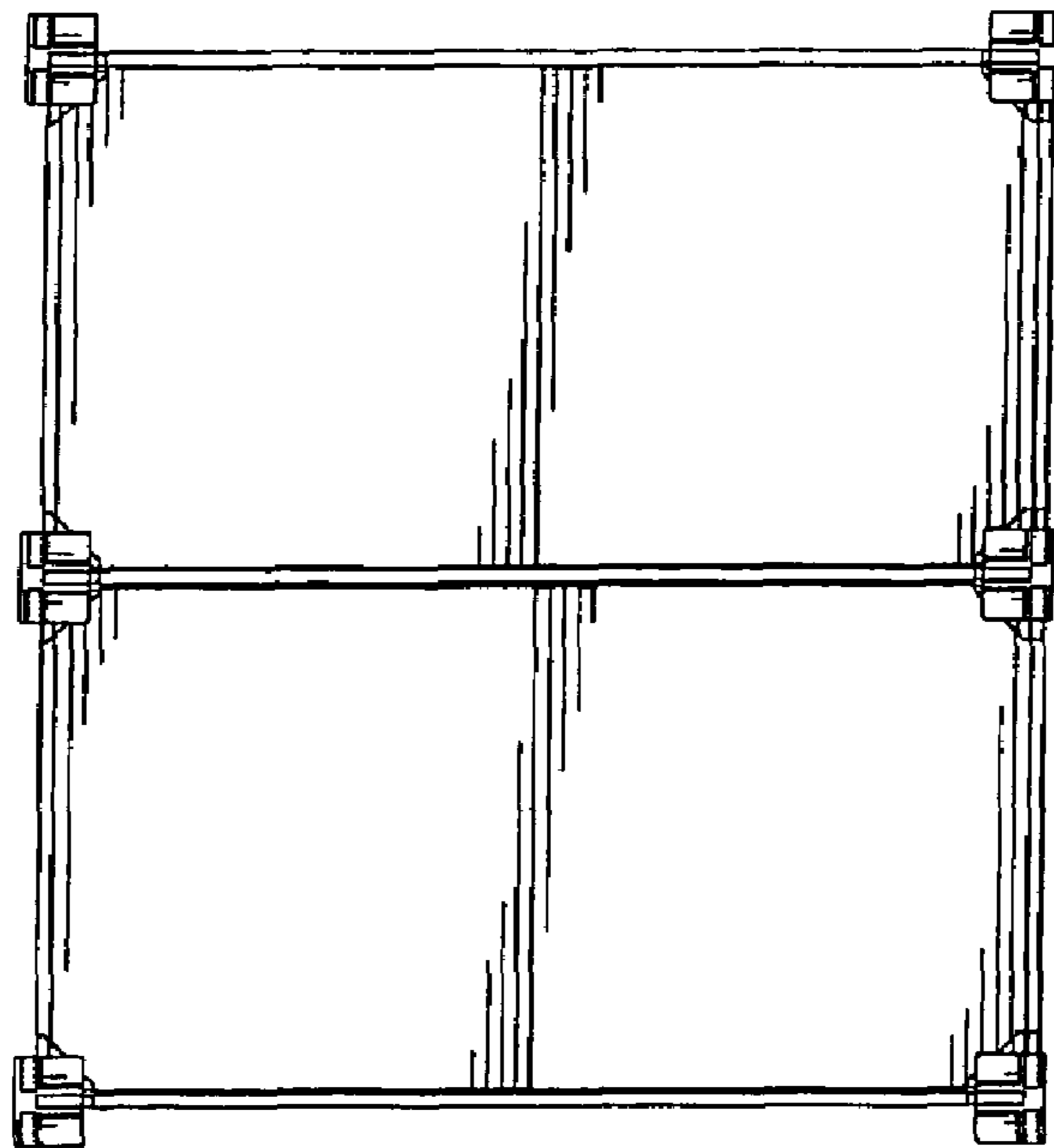


Fig.5

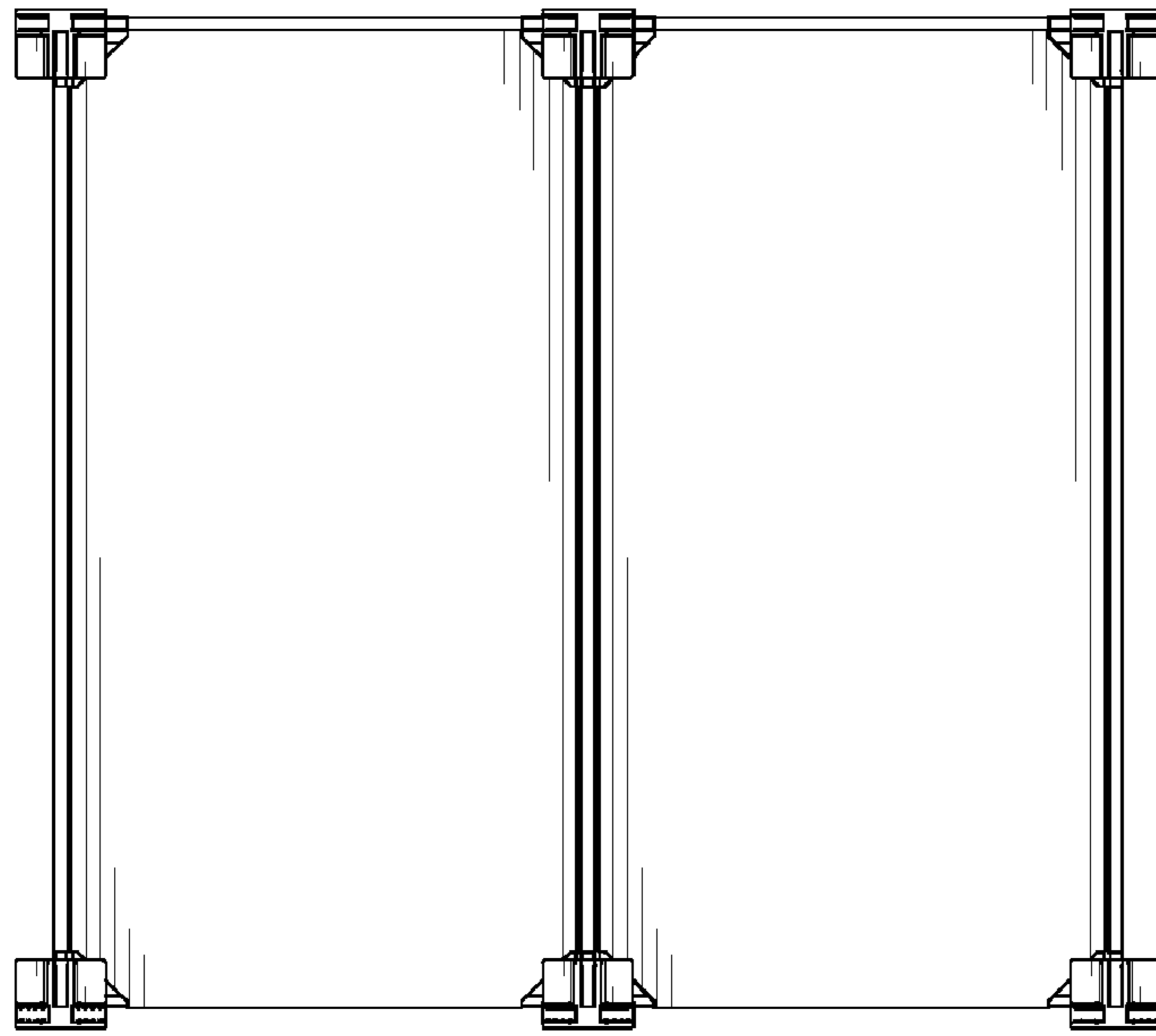


Fig.6

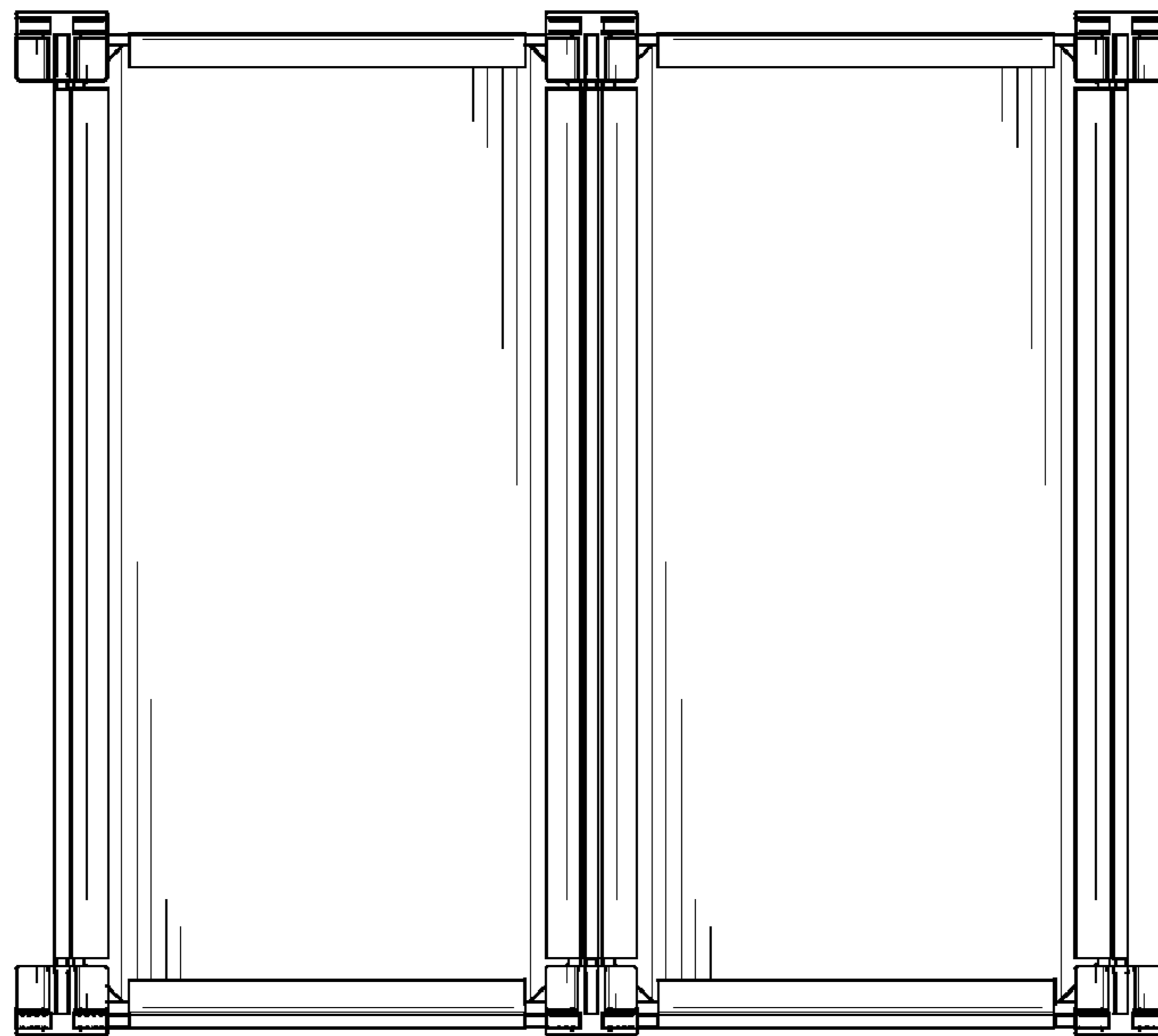


Fig.7

UNITED STATES PATENT AND TRADEMARK OFFICE
CERTIFICATE OF CORRECTION

PATENT NO. : Des. 555,399 S
APPLICATION NO. : 29/248197
DATED : November 20, 2007
INVENTOR(S) : Ritter Tsai

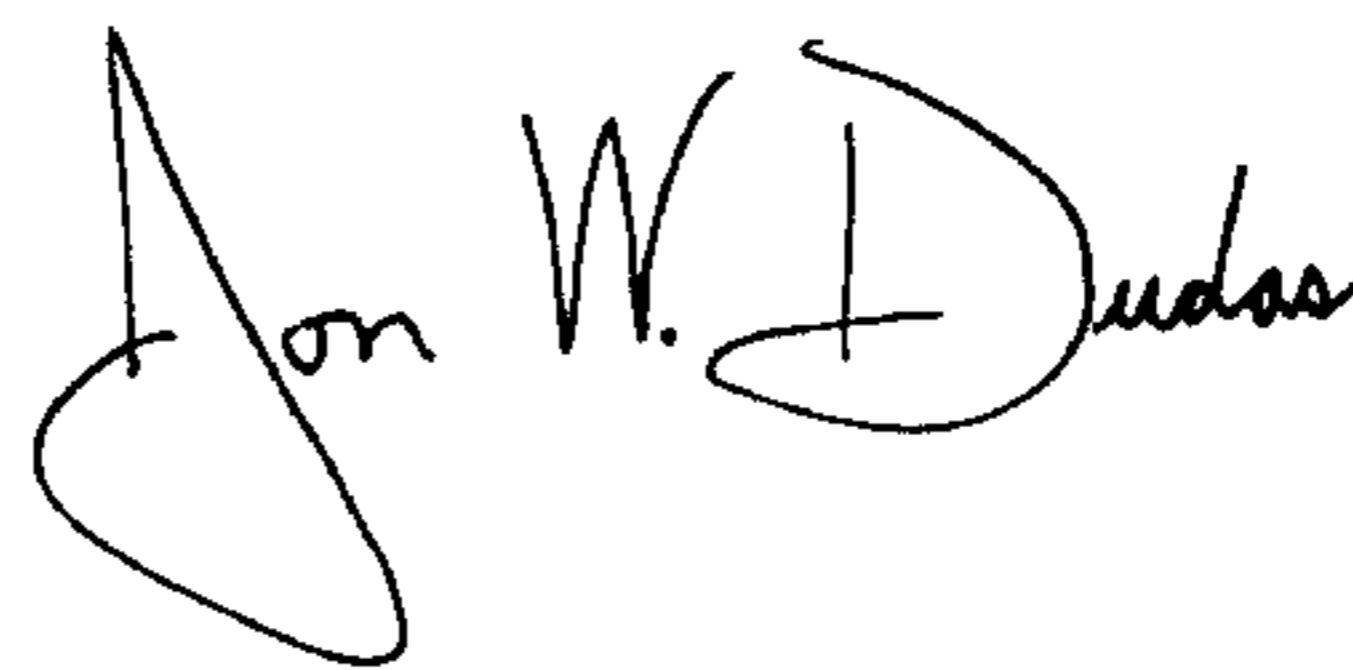
Page 1 of 1

It is certified that error appears in the above-identified patent and that said Letters Patent is hereby corrected as shown below:

On the title page, item (73) Assignees:, please delete "Ritter Tsai, Erh Lin Town" and substitute -- Huei Tyng Enterprise Co., Ltd., Fang Yuan Hsiang --.

Signed and Sealed this

Twenty-sixth Day of August, 2008

A handwritten signature in black ink that reads "Jon W. Dudas". The signature is written in a cursive style with a large, looped initial "J".

JON W. DUDAS

Director of the United States Patent and Trademark Office