



US00D555397S

(12) **United States Design Patent** (10) **Patent No.:** **US D555,397 S**
Yalif (45) **Date of Patent:** **** Nov. 20, 2007**

(54) AUDIO VIDEO SHELVING UNIT	D477,159 S	7/2003	Niitsu
	D477,292 S	7/2003	Inoue et al.
(75) Inventor: Jonathan Yalif , Red Bank, NJ (US)	D483,966 S	12/2003	Forlenza et al.
	D485,539 S	1/2004	Goto et al.
(73) Assignee: Bell'O International Corp. ,	D498,617 S	11/2004	Murphy et al.
Morganville, NJ (US)	D499,582 S *	12/2004	McDiarmid D6/470
(**) Term: 14 Years	D506,329 S	6/2005	Sexton
	D516,840 S	3/2006	deCarolis
(21) Appl. No.: 29/264,370	D518,664 S	4/2006	Villalobos et al.
	D522,773 S *	6/2006	Becker D6/470
	D528,827 S *	9/2006	Becker D6/470

(22) Filed: **Aug. 8, 2006**

(51) **LOC (8) Cl.** **06-04**
(52) **U.S. Cl.** **D6/470; D6/446**
(58) **Field of Classification Search** D6/432,
D6/436, 437-439, 444-448, 441, 470, 477-479;
312/114, 204, 224, 278-279
See application file for complete search history.

(56) **References Cited**

U.S. PATENT DOCUMENTS

D46,248 S *	8/1914	Curtiss	D6/470
D236,054 S	7/1975	Ginat		
D347,753 S *	6/1994	Pauer et al.	D6/470
D361,453 S	8/1995	Sussman		
D371,259 S	7/1996	Herbst		
D375,004 S	10/1996	Josefsson		
5,584,595 A	12/1996	Gantitano et al.		
D378,175 S	2/1997	Hamami		
D402,486 S	12/1998	Wada et al.		
D405,630 S	2/1999	Wohlford		
D441,217 S	5/2001	Pepin et al.		
D451,307 S	12/2001	Dong		
D467,099 S	12/2002	Antonioni		
D472,073 S	3/2003	de Carolis		
D472,074 S	3/2003	de Carolis		
D472,075 S	3/2003	de Carolis		

OTHER PUBLICATIONS

Bell'O 2005-2006 Product Catalog.

* cited by examiner

Primary Examiner—Cathron C. Brooks
Assistant Examiner—Kelley A. Donnelly
(74) *Attorney, Agent, or Firm*—Lerner, David, Littenberg,
Krumholz & Mentlik, LLP

(57) **CLAIM**

The ornamental design for audio video shelving unit, as shown and described.

DESCRIPTION

FIG. 1 is a top perspective view of the audio video shelving unit;
FIG. 2 is a front plan view thereof;
FIG. 3 is a rear view thereof;
FIG. 4 right side view thereof (the left side being a mirror image of the right side view); and,
FIG. 5 is a top plan view thereof.

1 Claim, 5 Drawing Sheets

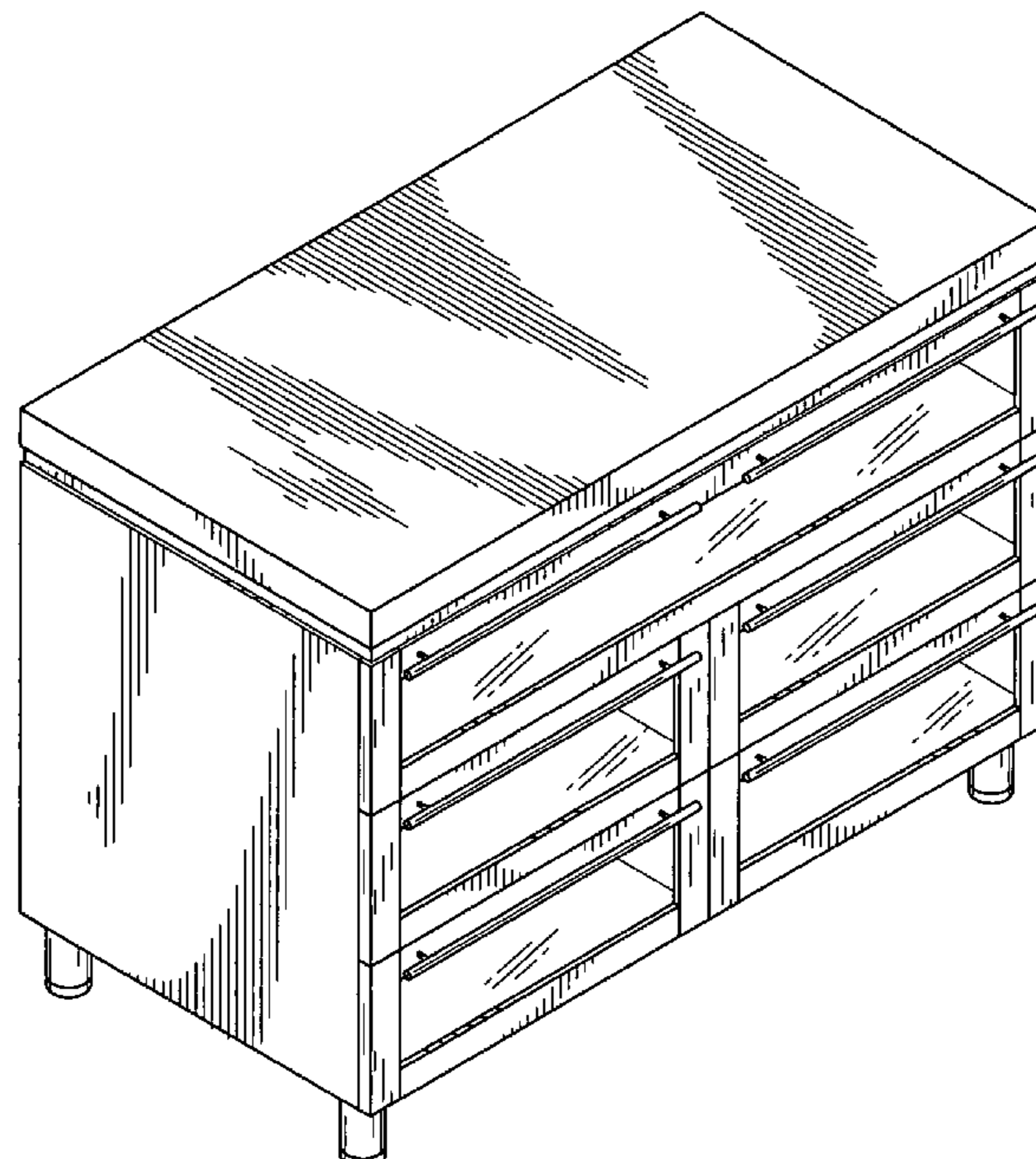


FIG. 1

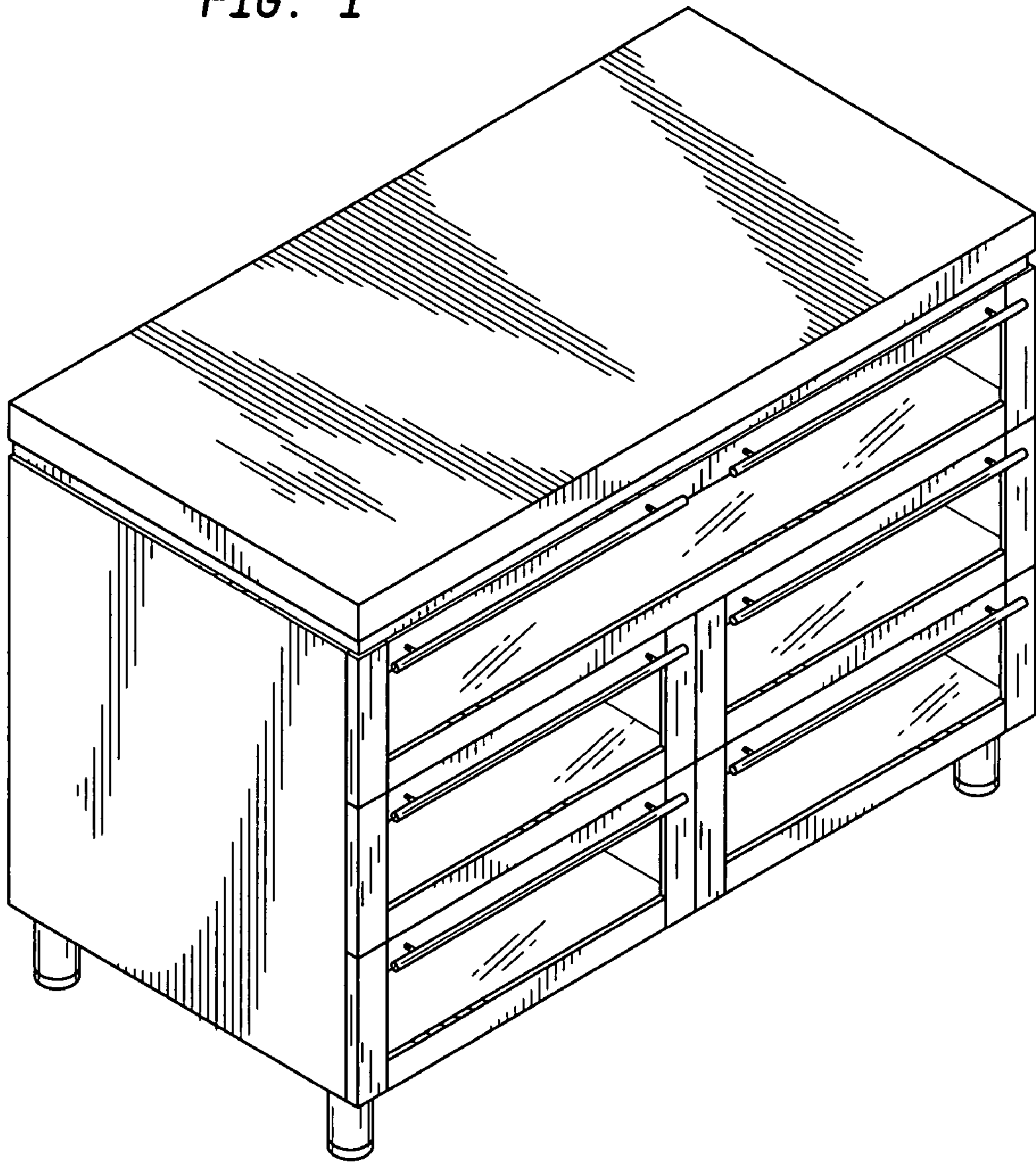


FIG. 2

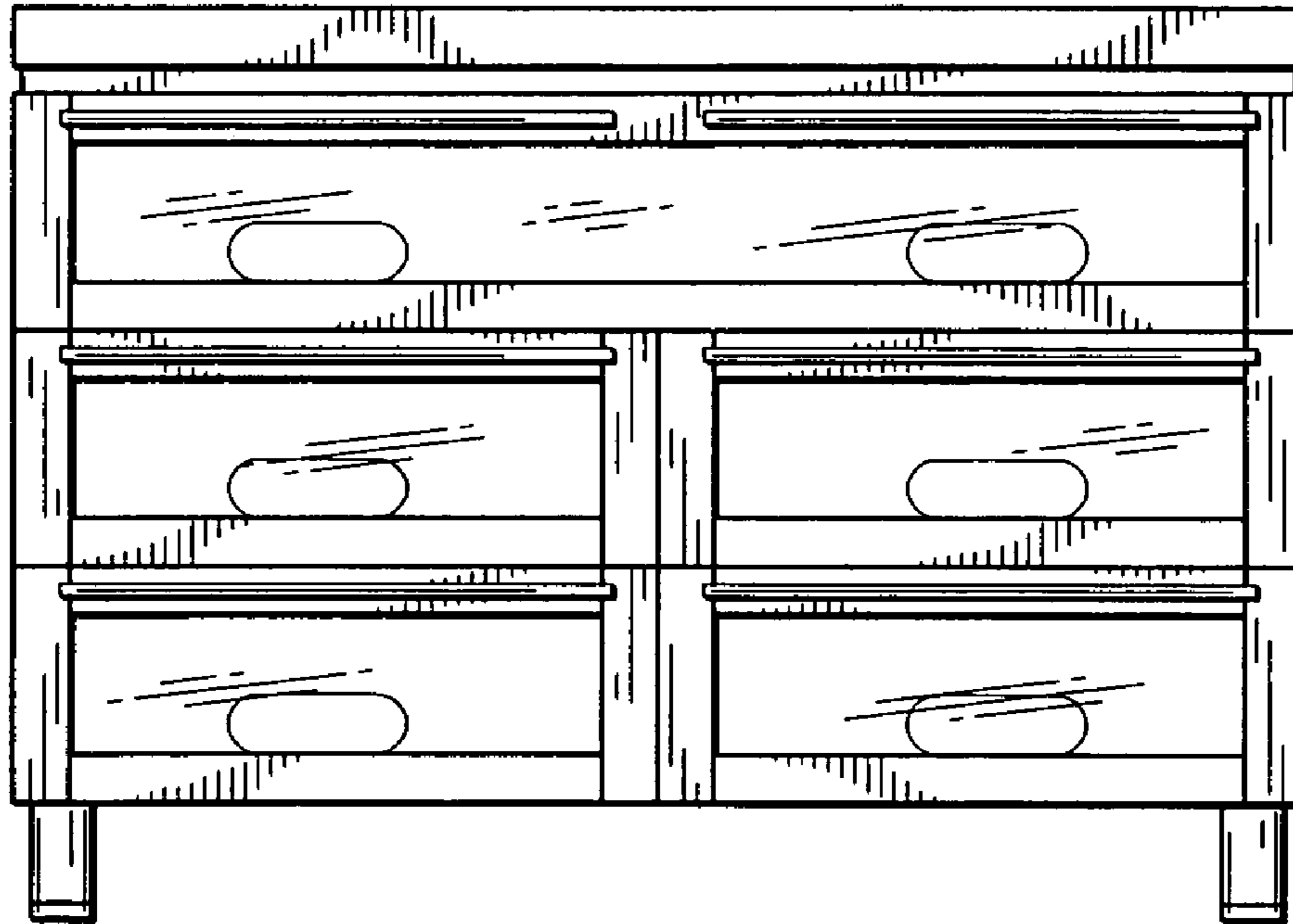


FIG. 3

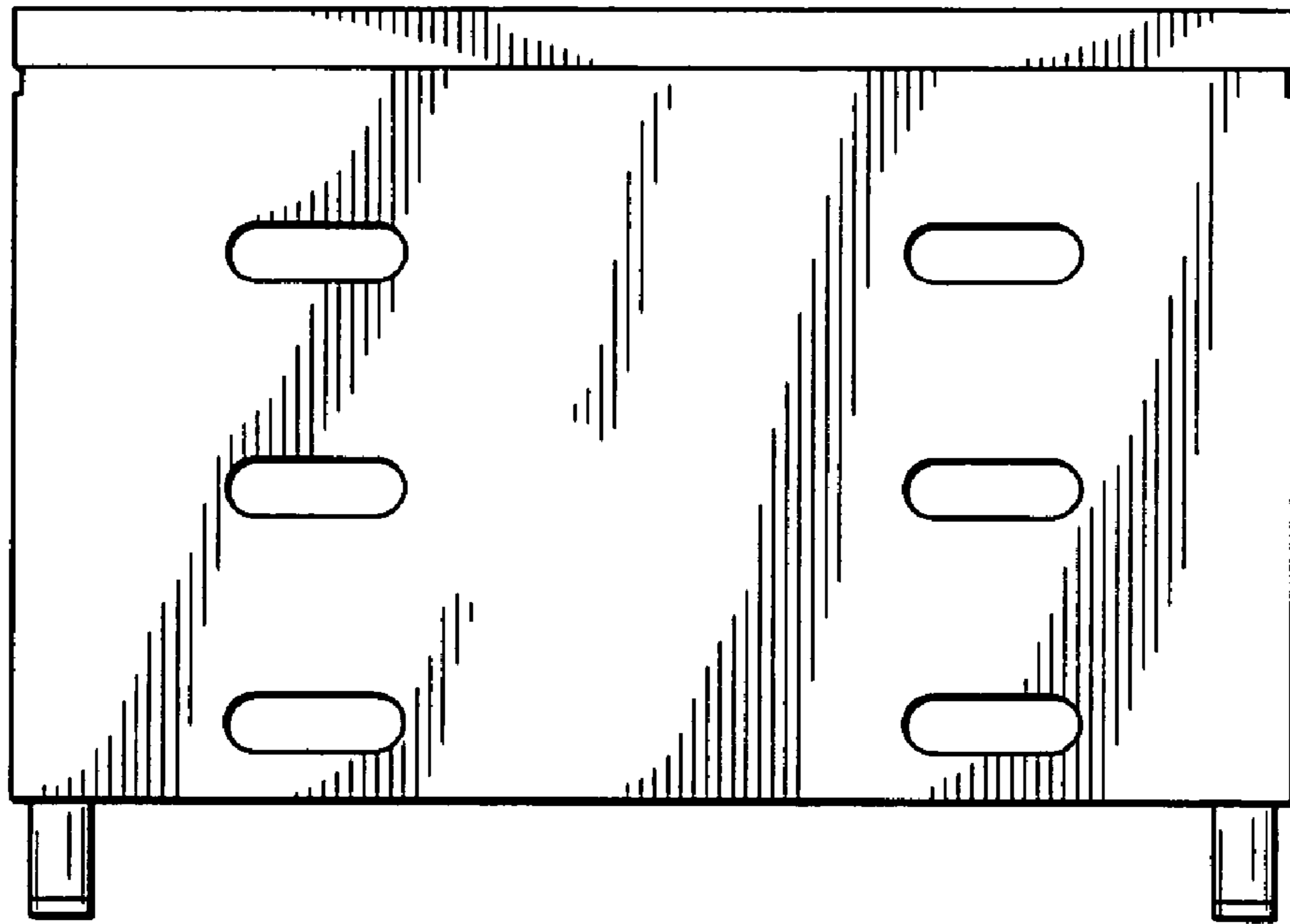


FIG. 4

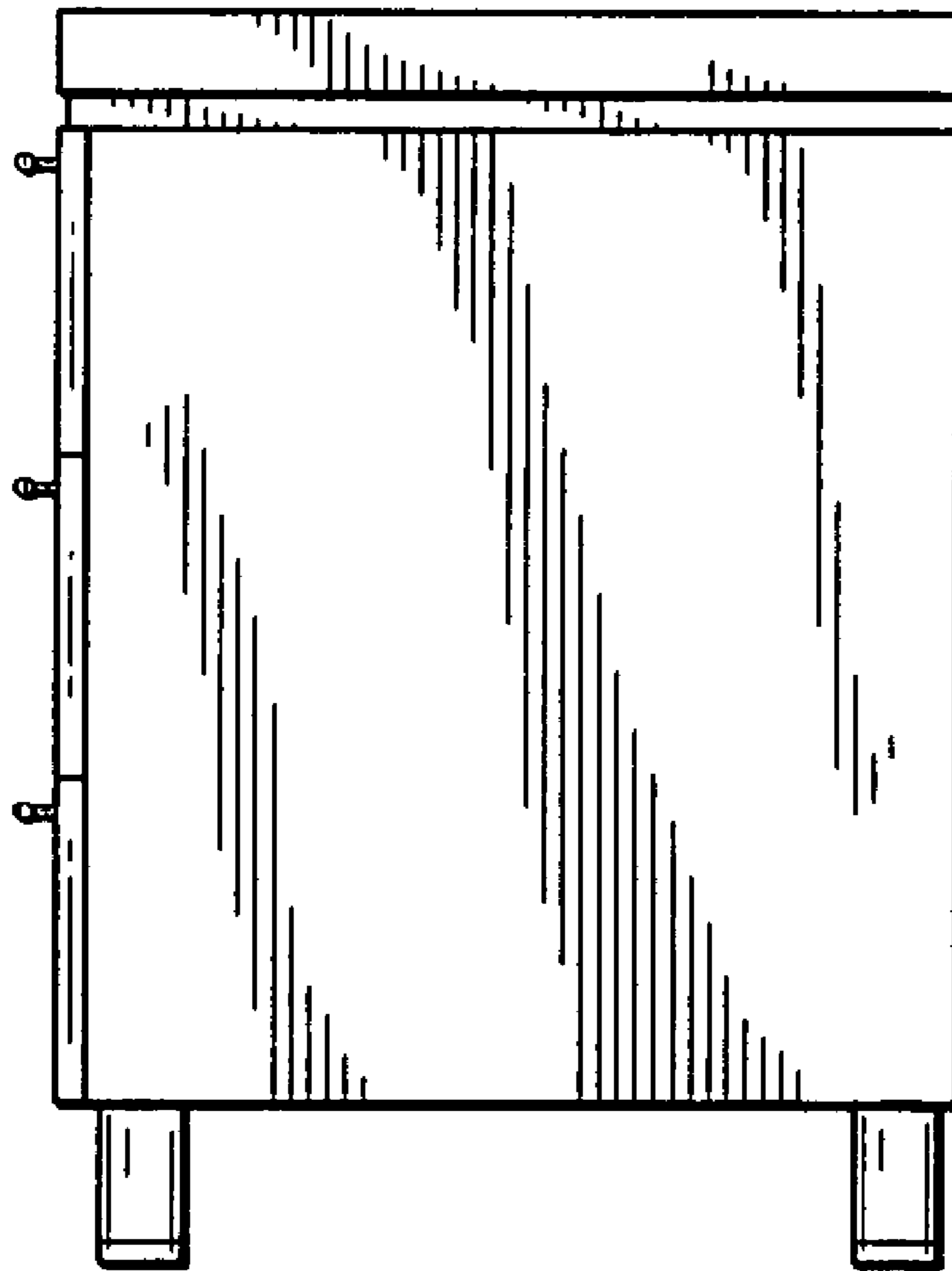


FIG. 5

