



US00D555392S

(12) **United States Design Patent**
Grözinger

(10) **Patent No.:** **US D555,392 S**

(45) **Date of Patent:** **** Nov. 20, 2007**

(54) **DISPLAY AND CONTROL UNIT**

DESCRIPTION

(75) Inventor: **Andreas Grözinger**, Renningen (DE)

FIG. 1 is a front elevational view of a display and control unit showing my new design;

(73) Assignee: **Siemens Aktiengesellschaft**, München (DE)

FIG. 2 is a rear elevational view thereof;

(**) Term: **14 Years**

FIG. 3 is a top plan view thereof;

(21) Appl. No.: **29/277,039**

FIG. 4 is a bottom plan view thereof;

(22) Filed: **Feb. 12, 2007**

FIG. 5 is a right side elevational view thereof;

(51) **LOC (8) Cl.** **06-04**

FIG. 6 is a left side elevational view thereof; and

(52) **U.S. Cl.** **D6/432; D6/470**

FIG. 7 is a perspective view thereof.

(58) **Field of Classification Search** **D6/300,**

FIG. 8 is a front elevational view of a second embodiment of the display and control unit showing my new design;

D6/432, 436, 440, 470, 553, 559, 567, 569;

FIG. 9 is a rear elevational view thereof;

211/104; 206/129; 312/101, 204, 205, 224,

FIG. 10 is a top plan view thereof;

312/225, 226, 227, 242, 245, 249.1

FIG. 11 is a bottom plan view thereof;

See application file for complete search history.

FIG. 12 is a right side elevational view thereof;

FIG. 13 is a left side elevational view thereof; and

FIG. 14 is a perspective view thereof.

(56) **References Cited**

FIG. 15 is a front elevational view of a third embodiment of the display and control unit showing my new design;

U.S. PATENT DOCUMENTS

809,592 A * 1/1906 Watts, Jr. 312/242

FIG. 16 is a rear elevational view thereof;

1,556,353 A * 10/1925 Roedding 206/129

FIG. 17 is a top plan view thereof;

2,166,430 A * 7/1939 Green 312/227

FIG. 18 is a bottom plan view thereof;

4,070,074 A * 1/1978 Rohme 312/245

FIG. 19 is a right side elevational view thereof;

4,076,350 A * 2/1978 Crist 312/242

FIG. 20 is a left side elevational view thereof; and

RE31,409 E * 10/1983 Crist 312/242

FIG. 21 is a perspective view thereof.

D276,964 S * 1/1985 Boland, II D6/470

FIG. 22 is a front elevational view of a fourth embodiment of the display and control unit showing my new design;

D286,484 S * 11/1986 Honermann D6/559

FIG. 23 is a rear elevational view thereof;

D291,037 S * 7/1987 Handler et al. D6/432

FIG. 24 is a top plan view thereof;

(Continued)

FIG. 25 is a bottom plan view thereof;

Primary Examiner—Mimosa De

(74) *Attorney, Agent, or Firm*—Henry M. Feiereisen; Ursula B. Day

FIG. 26 is a right side elevational view thereof;

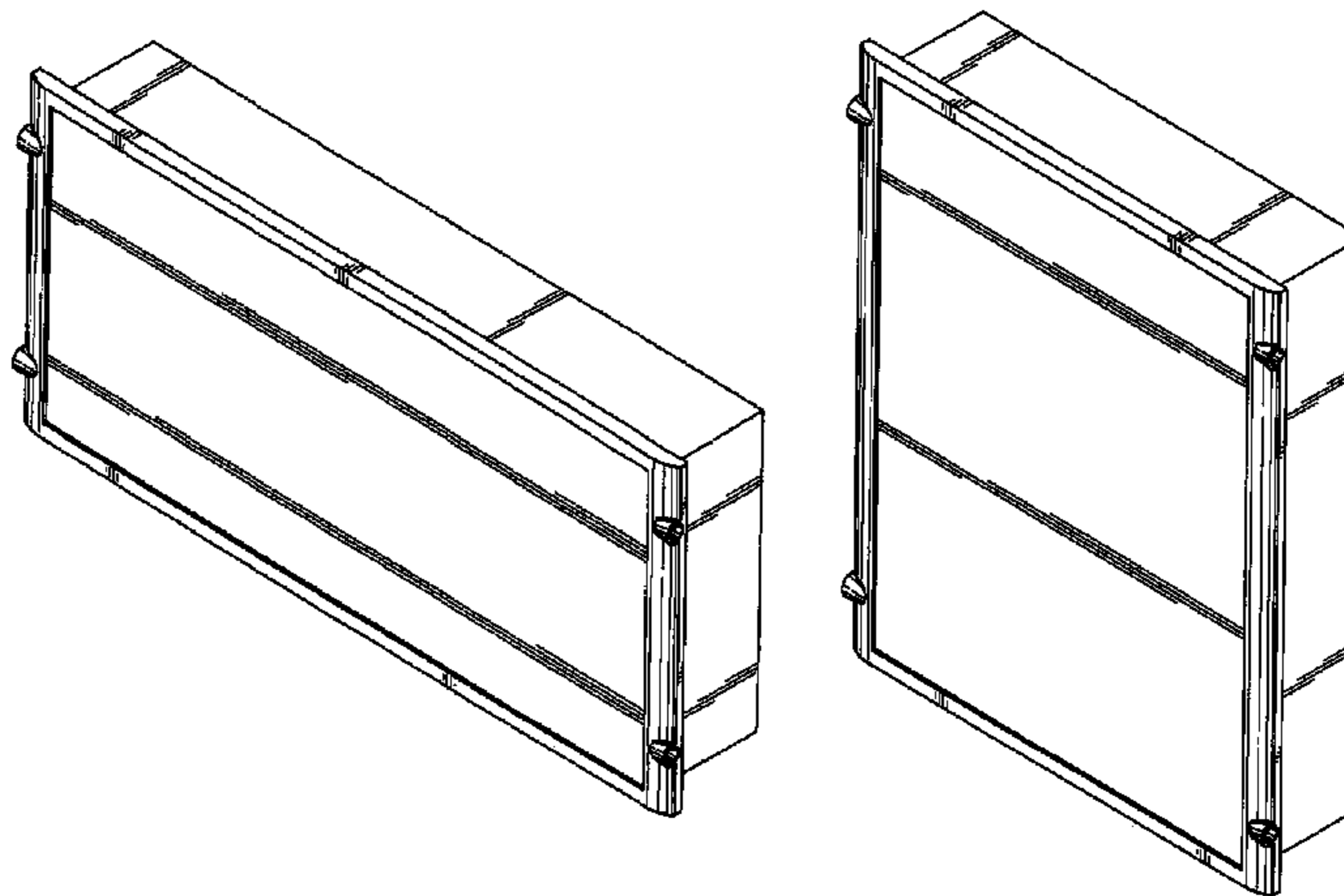
(57) **CLAIM**

FIG. 27 is a left side elevational view thereof; and,

The ornamental design for a display and control unit, as shown and described.

FIG. 28 is a perspective view thereof.

1 Claim, 28 Drawing Sheets



US D555,392 S

Page 2

U.S. PATENT DOCUMENTS

5,163,745	A *	11/1992	Zagata	312/242	D457,768	S *	5/2002	Didehvar et al.	D6/559
5,368,378	A *	11/1994	Curtis	312/204	D497,069	S *	10/2004	Aisley et al.	D6/559
5,484,196	A *	1/1996	Kim	312/242	2003/0090177	A1 *	5/2003	Posvar	312/205
5,860,537	A *	1/1999	Loew	211/104	2006/0119236	A1 *	6/2006	Aisley et al.	312/242
D408,657	S *	4/1999	Koch	D6/470	2007/0013279	A1 *	1/2007	MacMillan et al.	312/242
D421,196	S *	2/2000	Somers	D6/559					

* cited by examiner

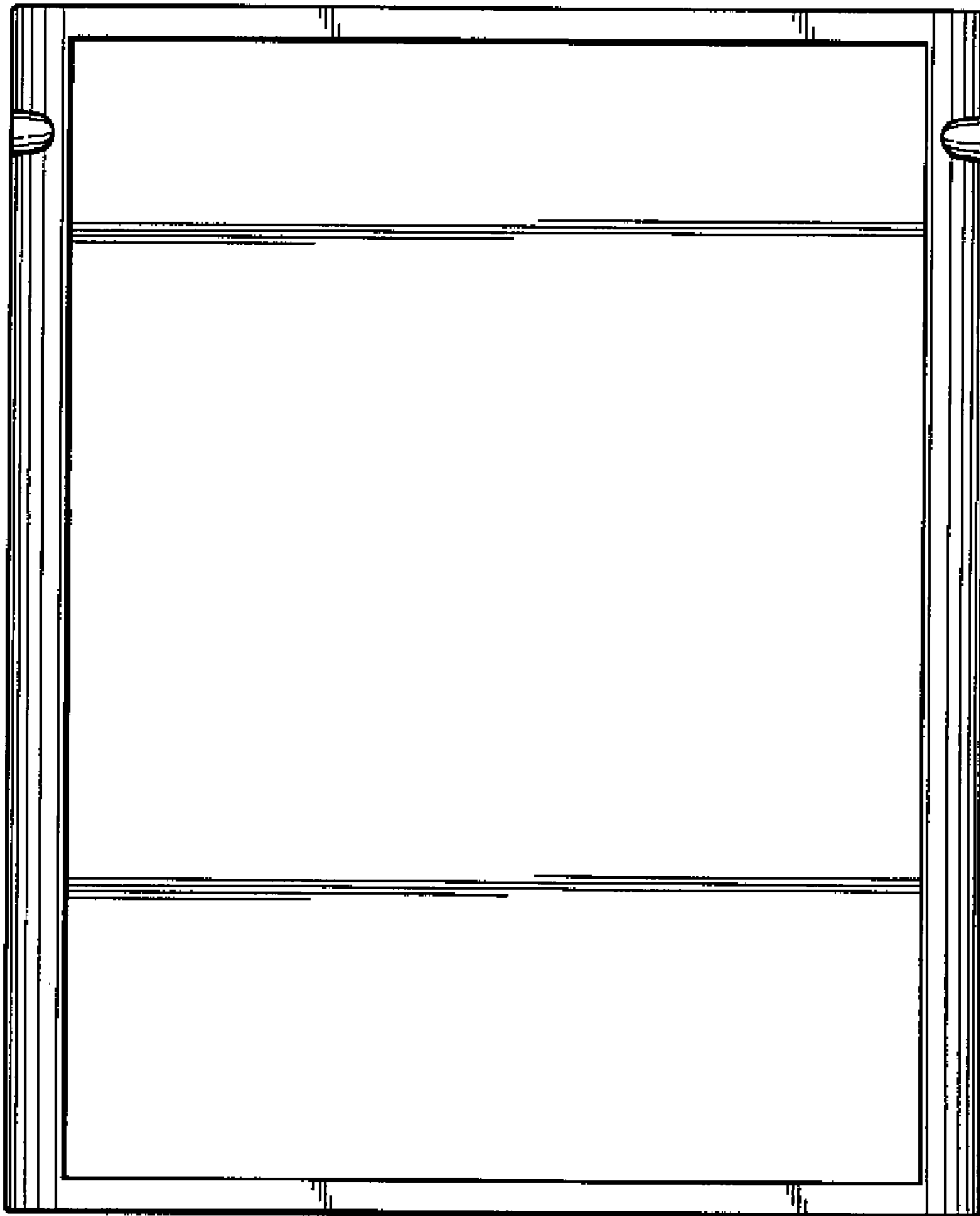


Fig. 1

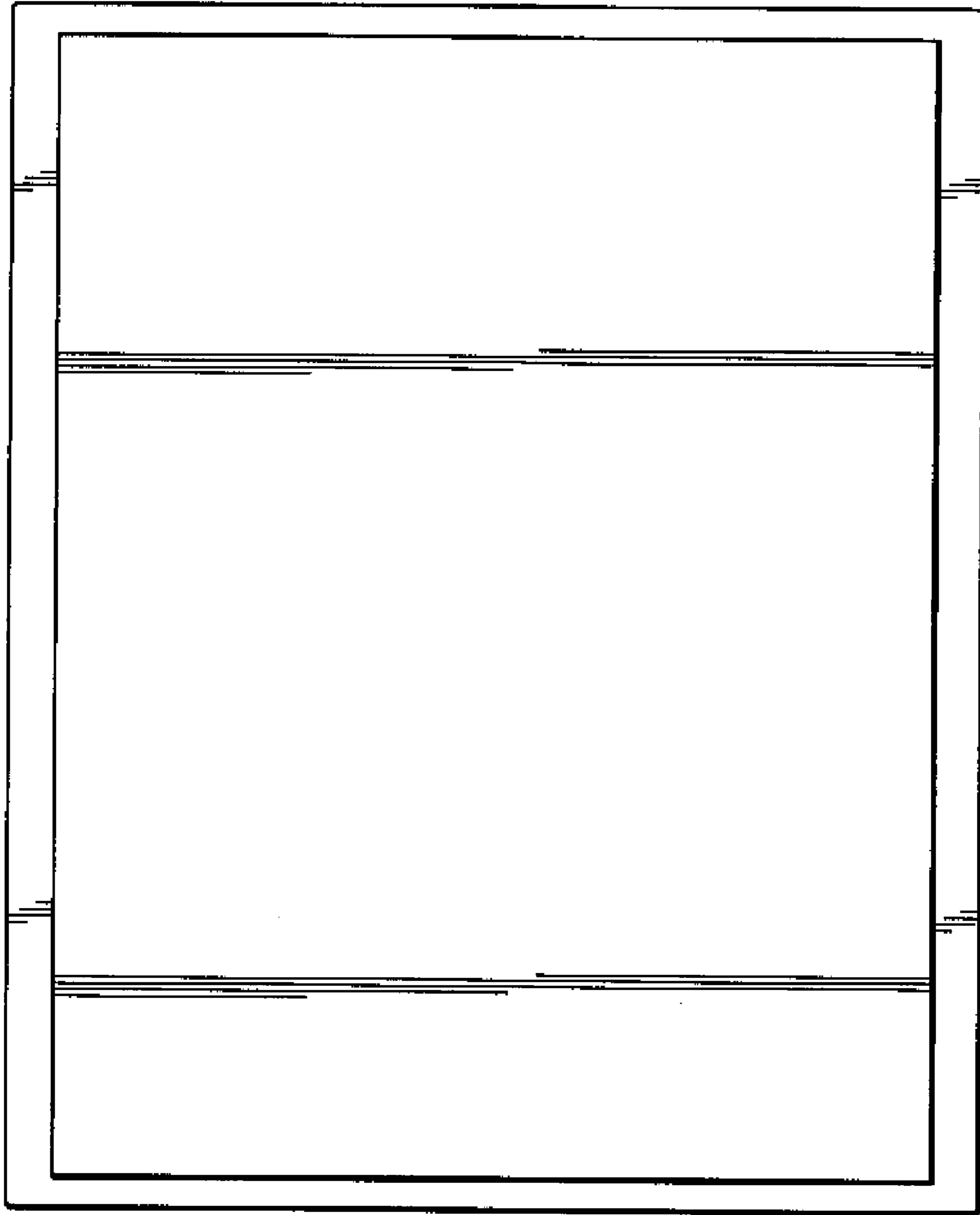


Fig. 2

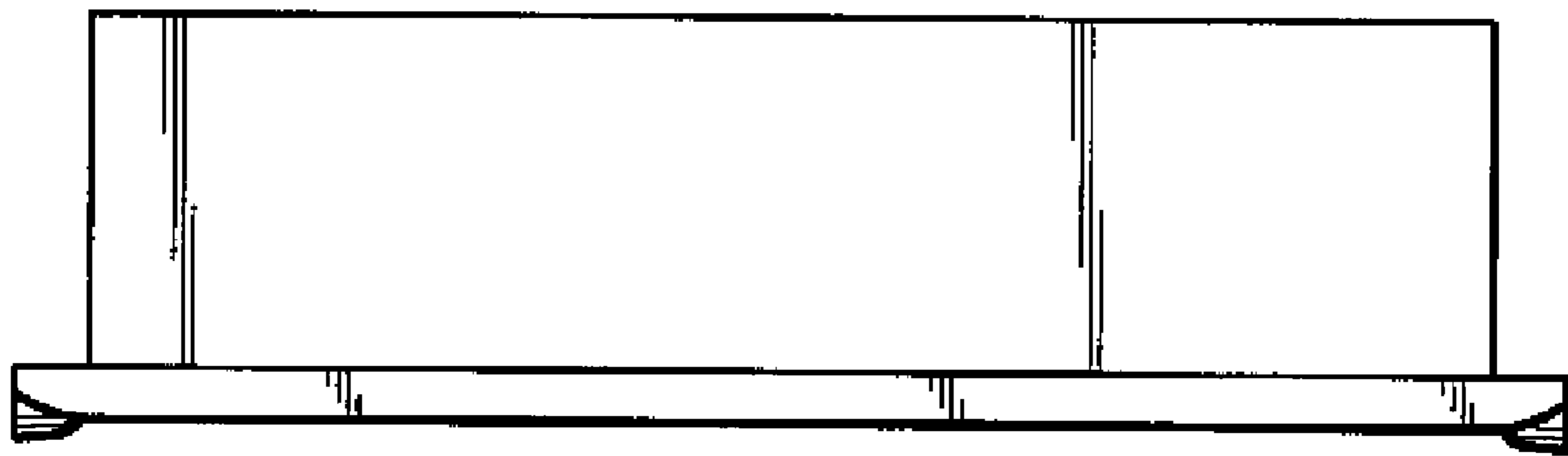


Fig. 3

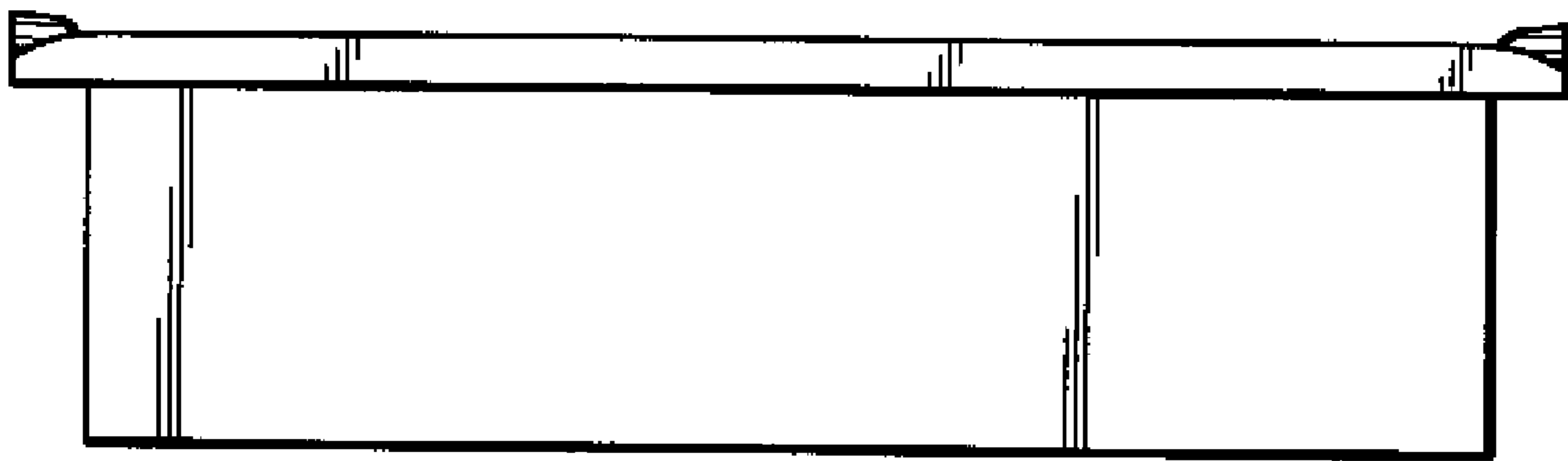


Fig. 4

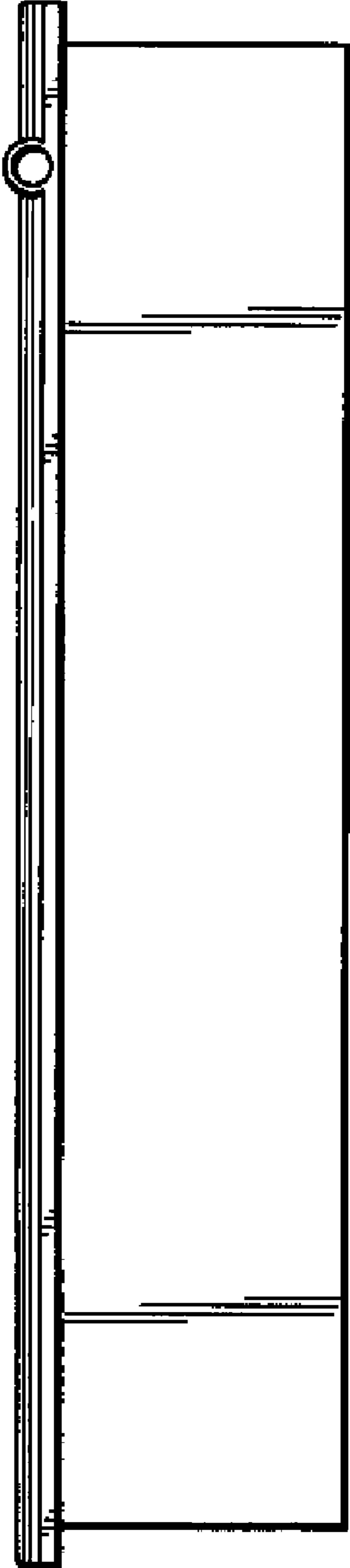


Fig. 5

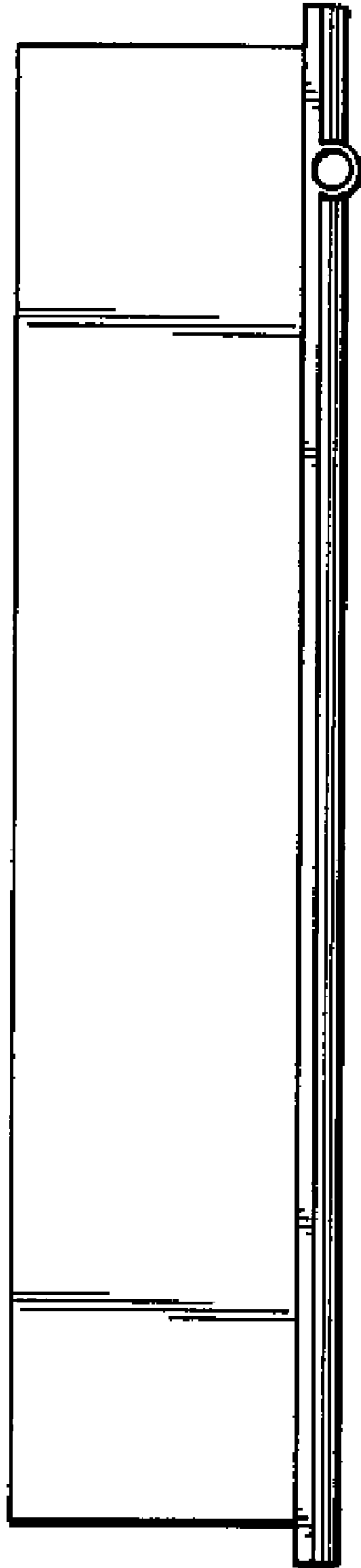


Fig. 6

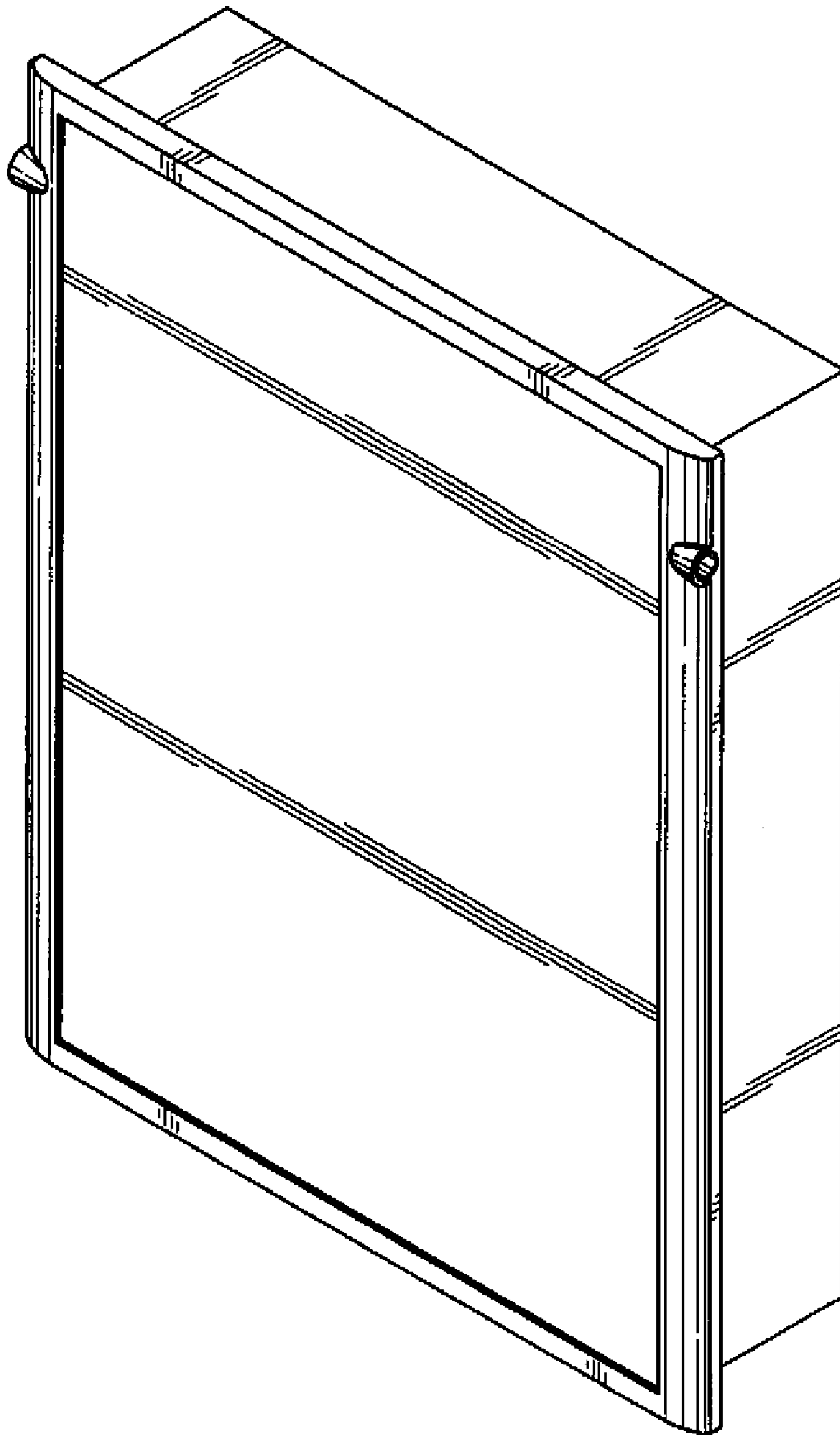


Fig. 7

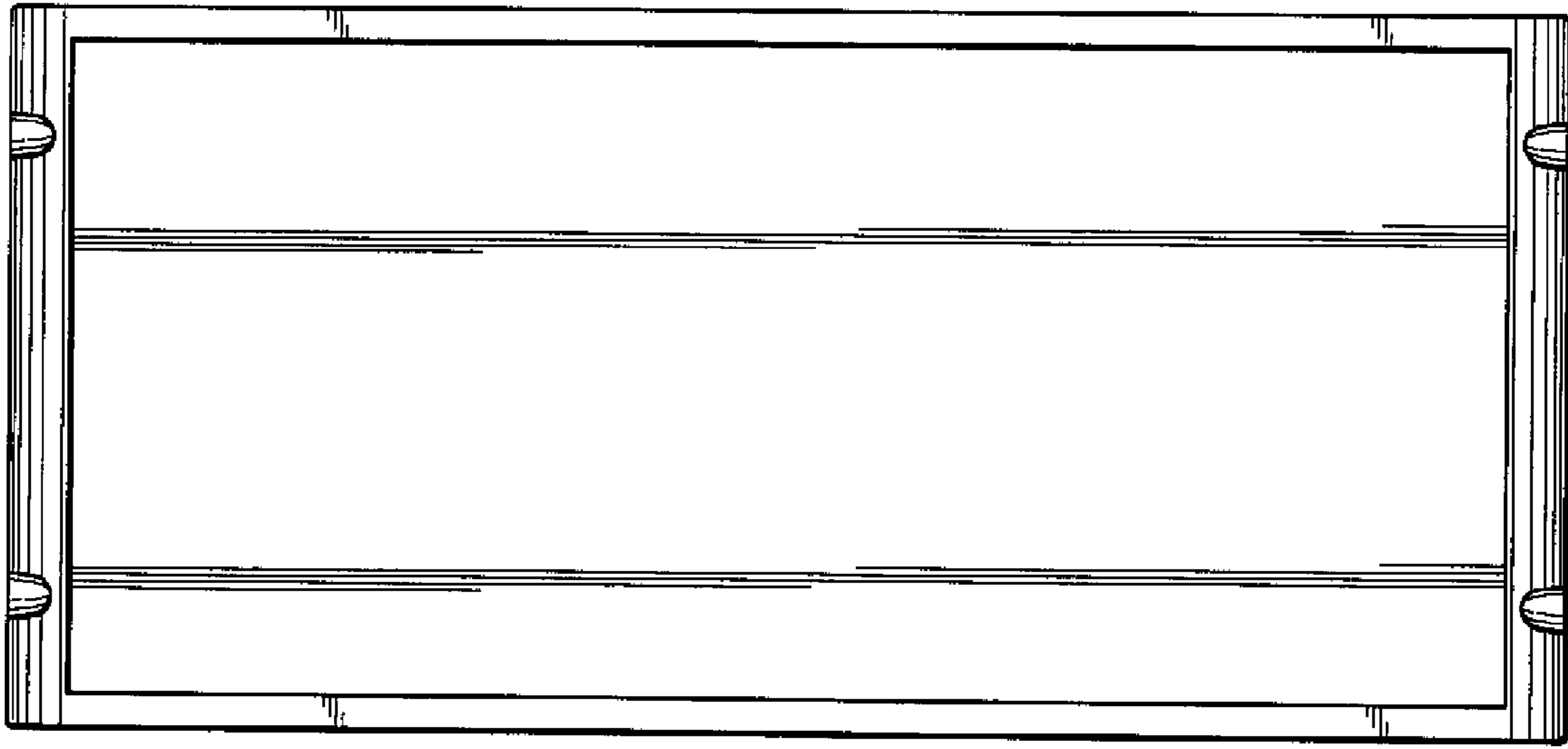


Fig. 8

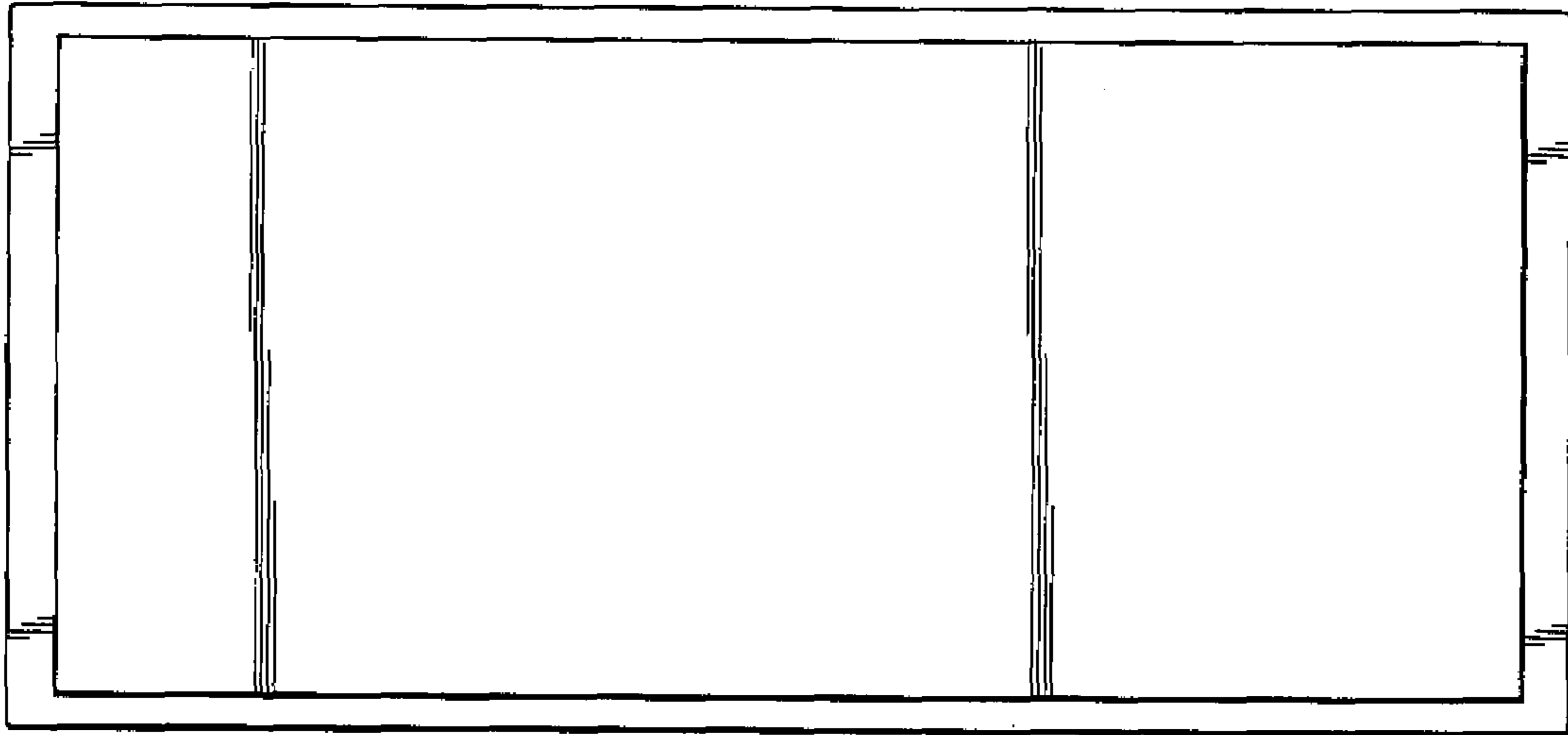


Fig. 9

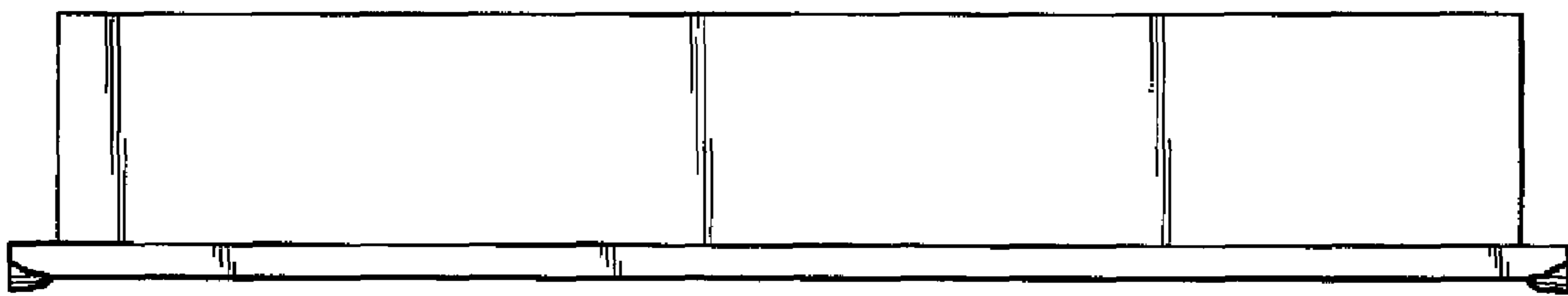


Fig. 10

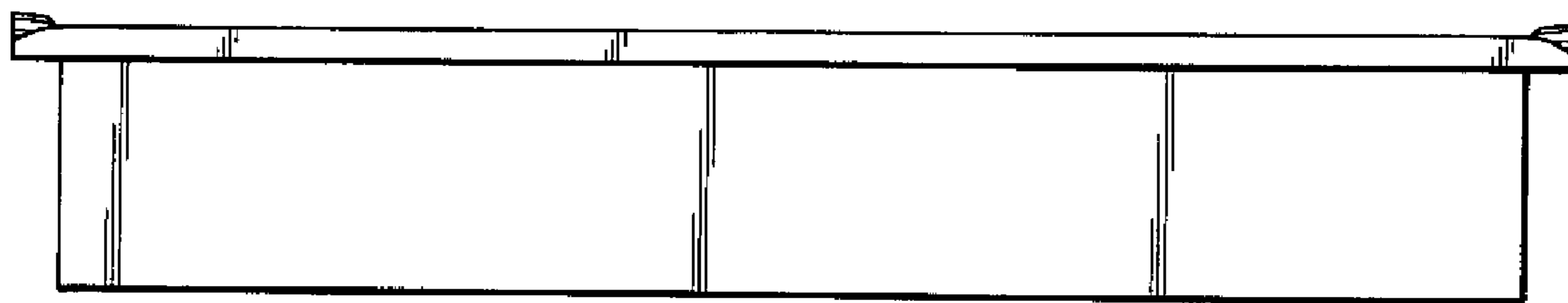


Fig. 11

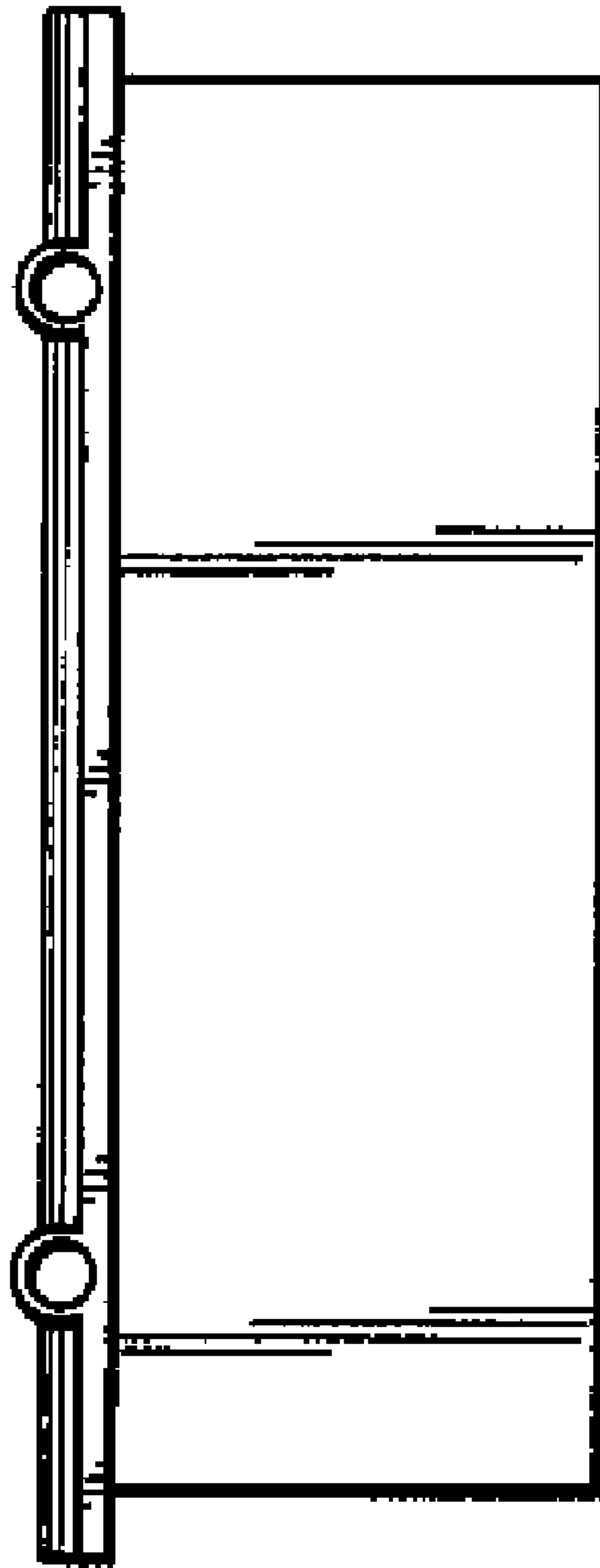


Fig. 12

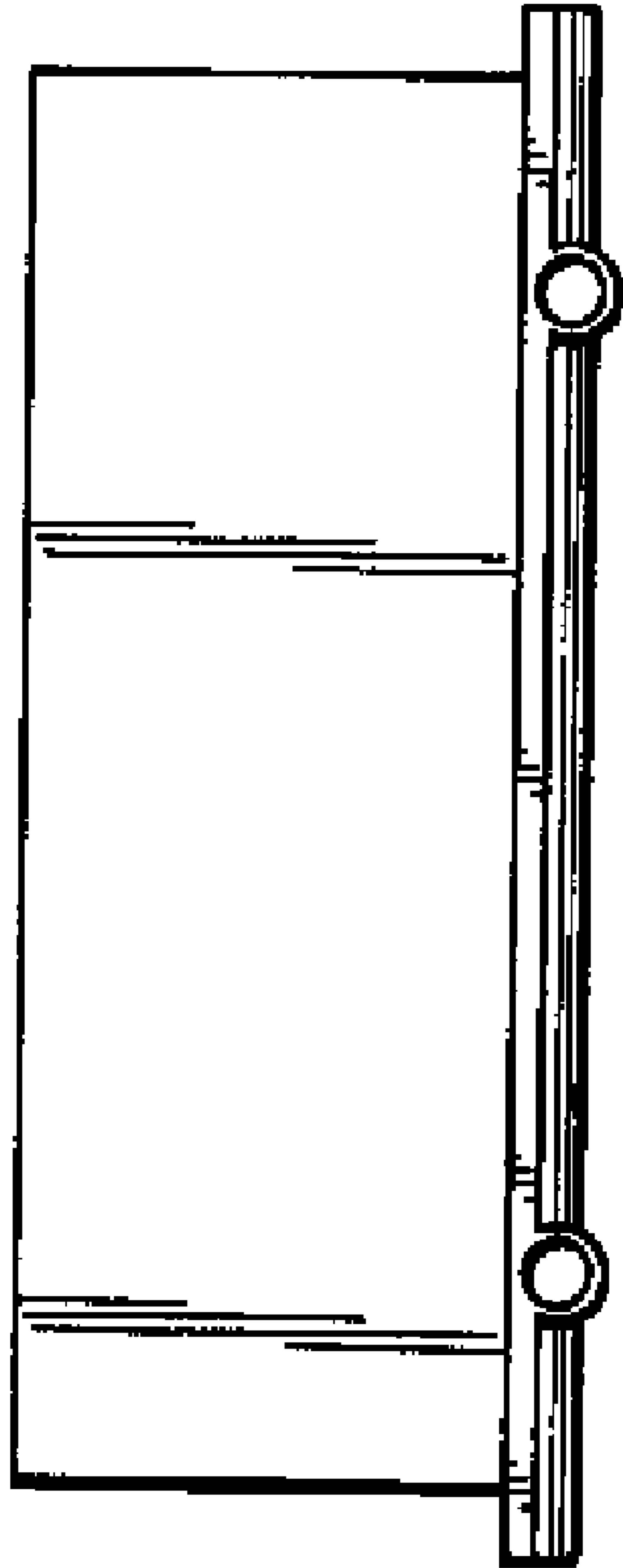


Fig. 13

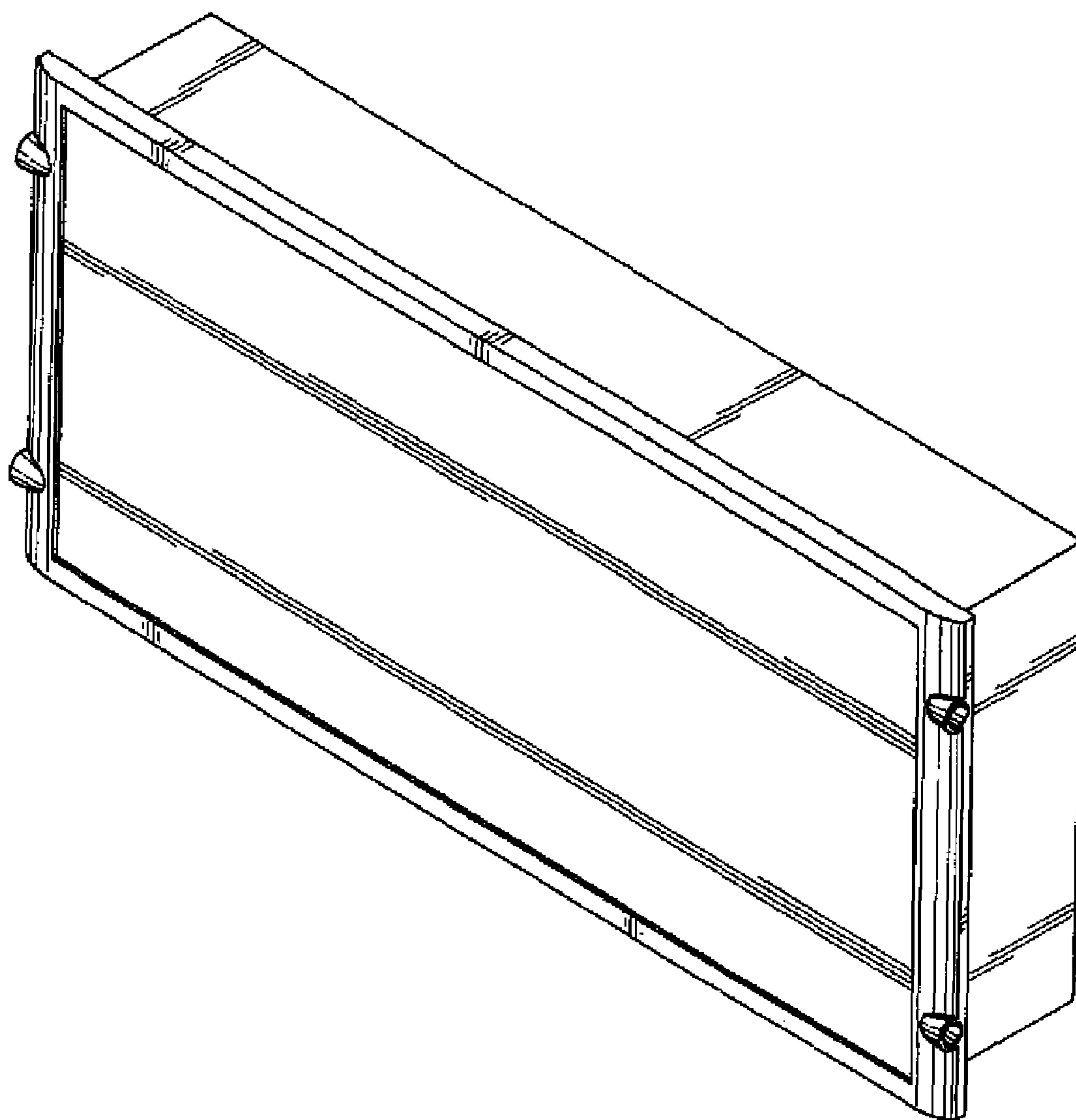


Fig. 14

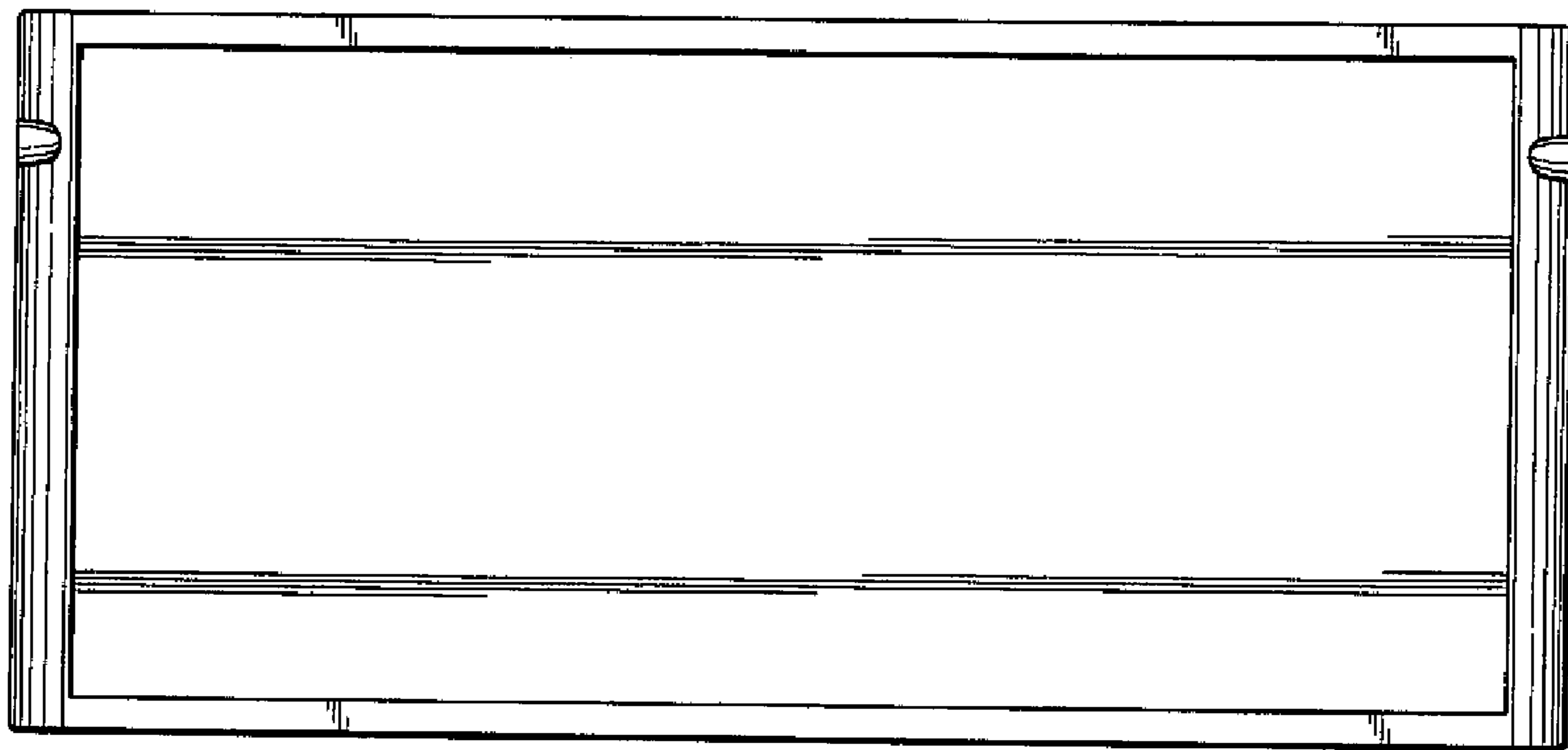


Fig. 15

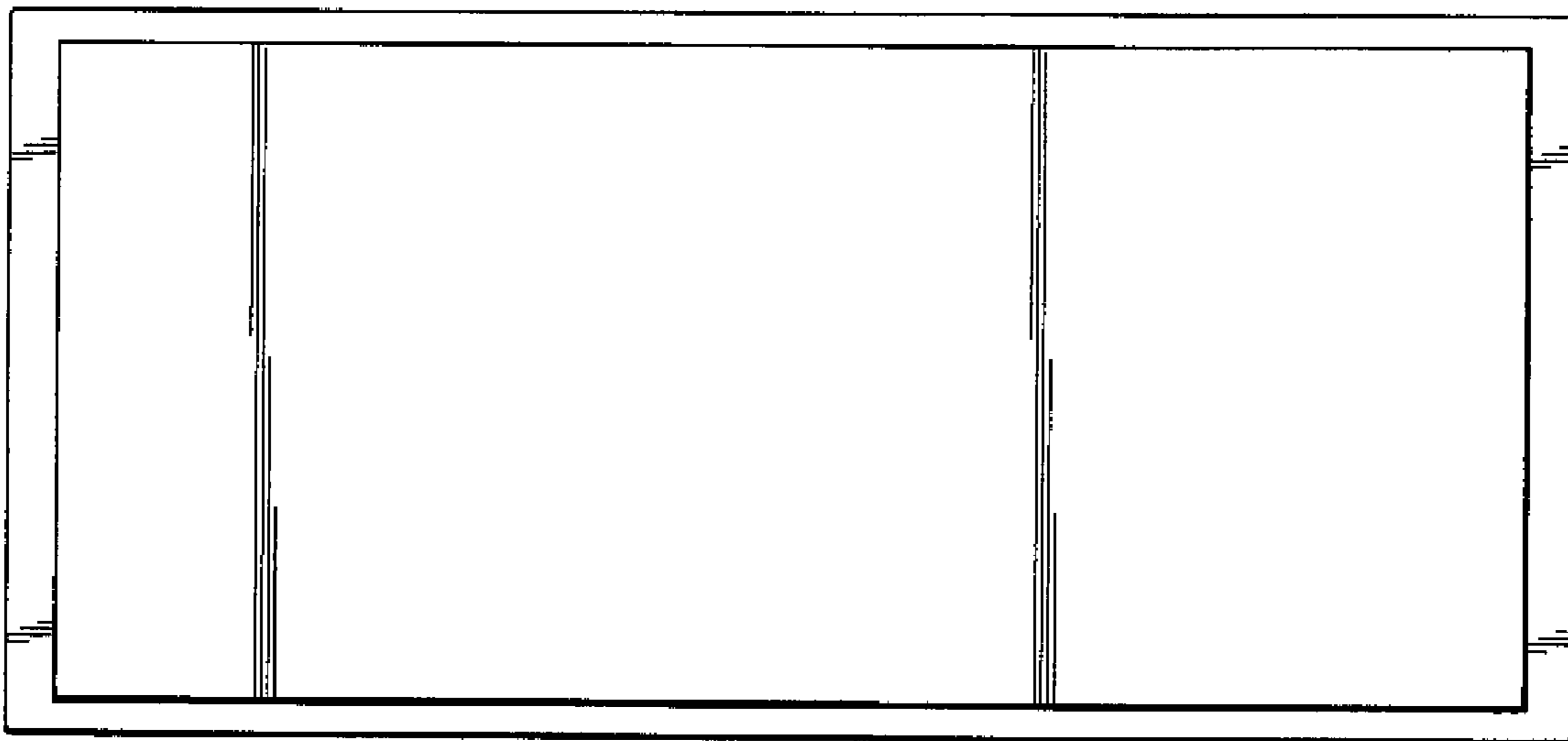


Fig. 16

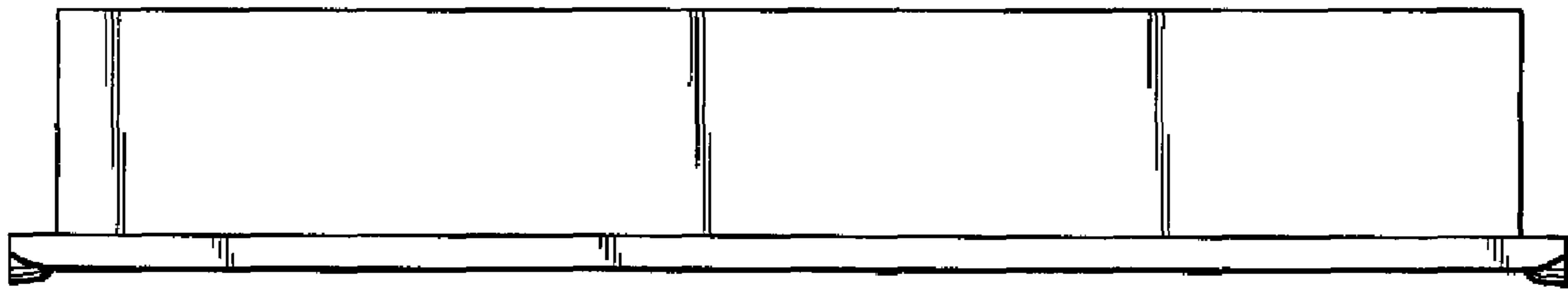


Fig. 17

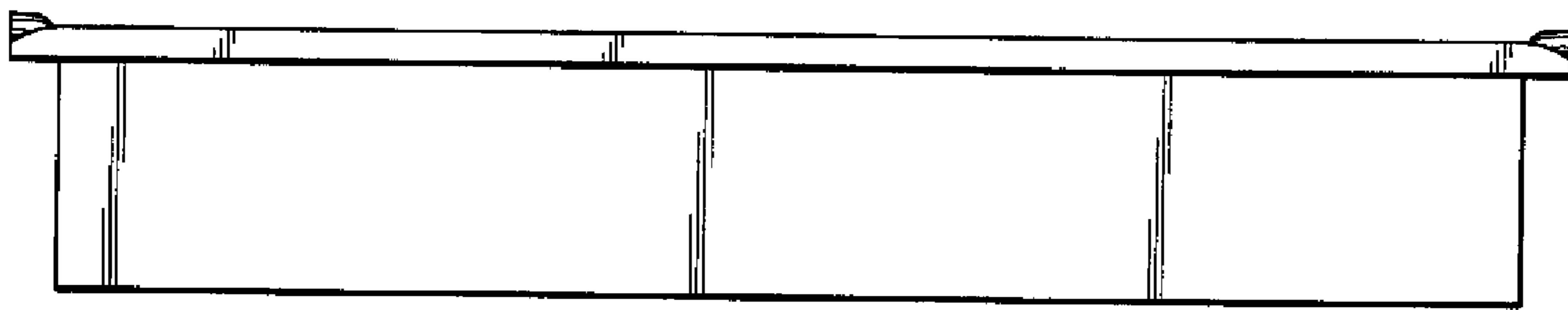


Fig. 18

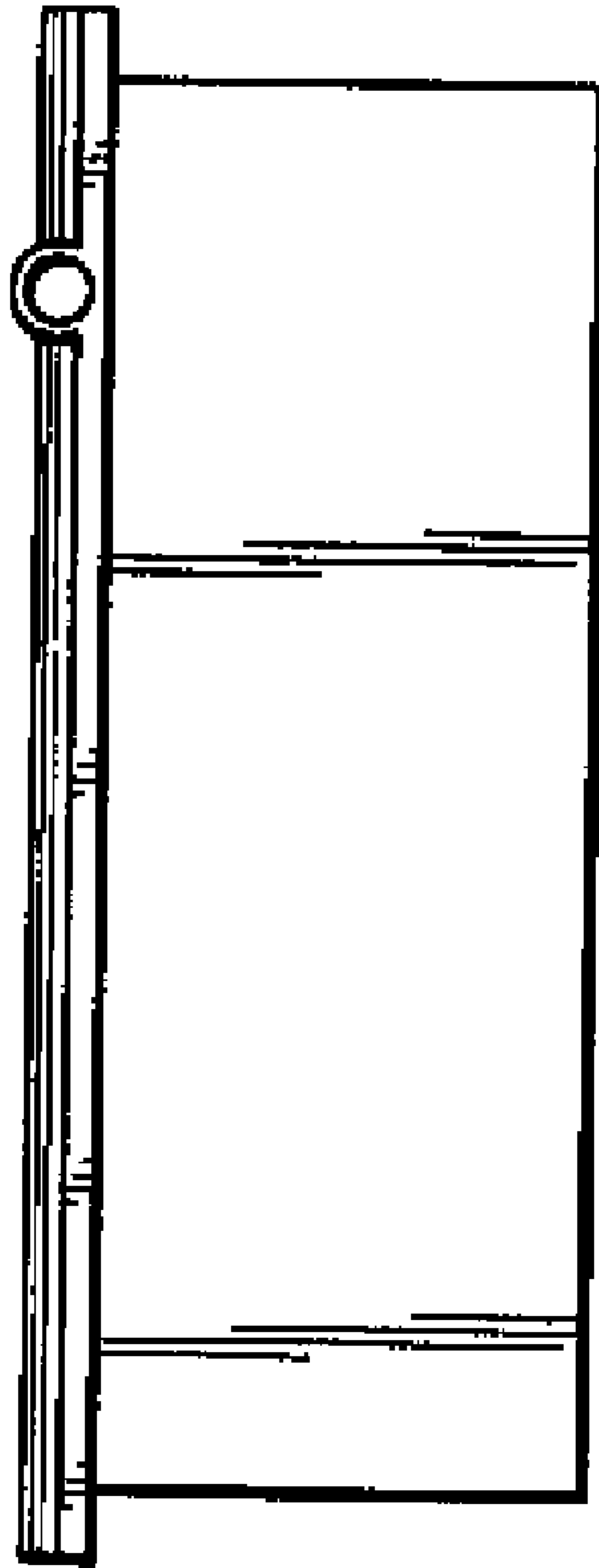


Fig. 19

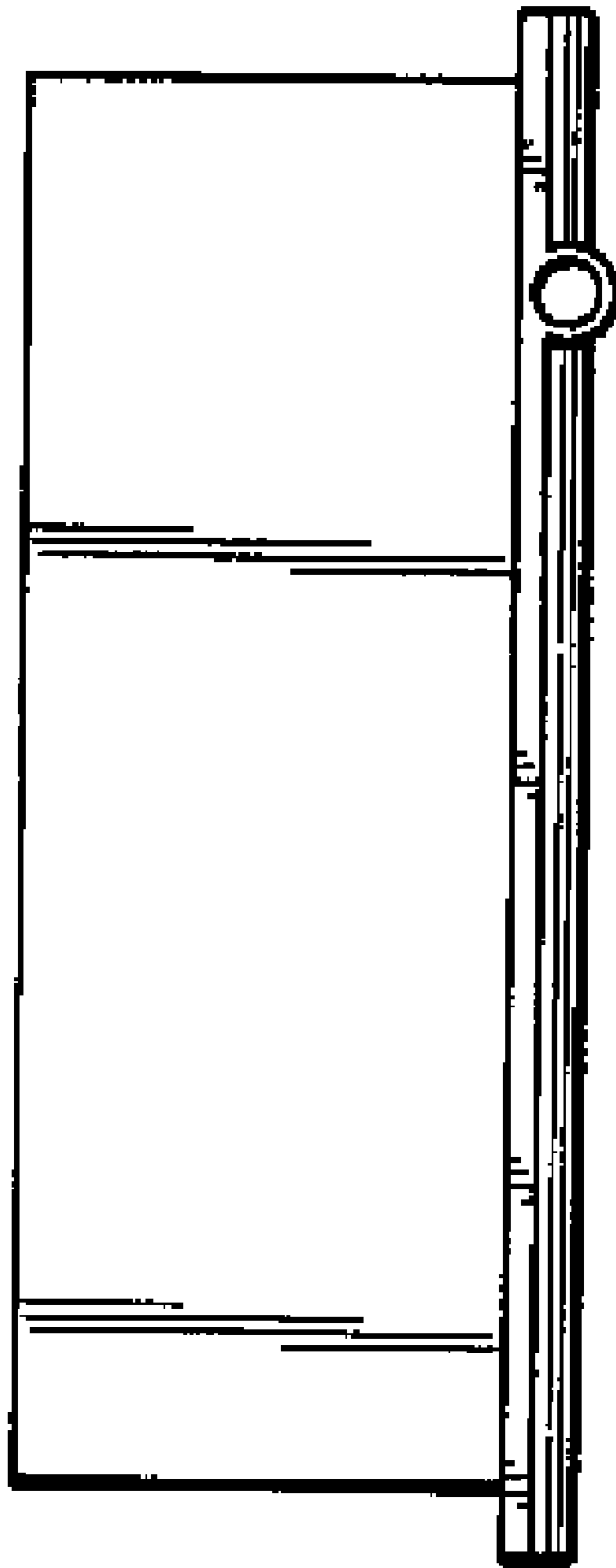


Fig. 20

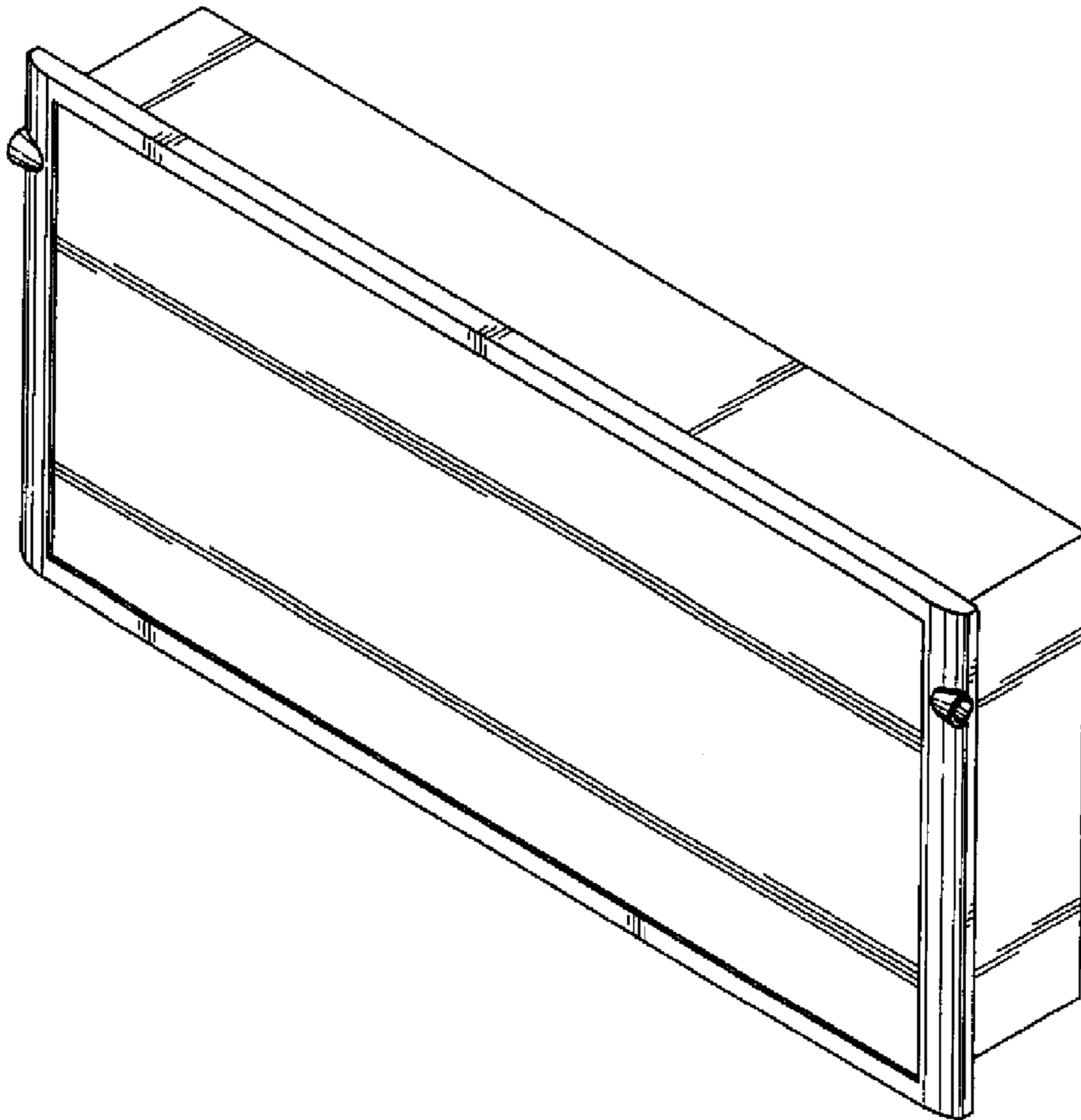


Fig. 21

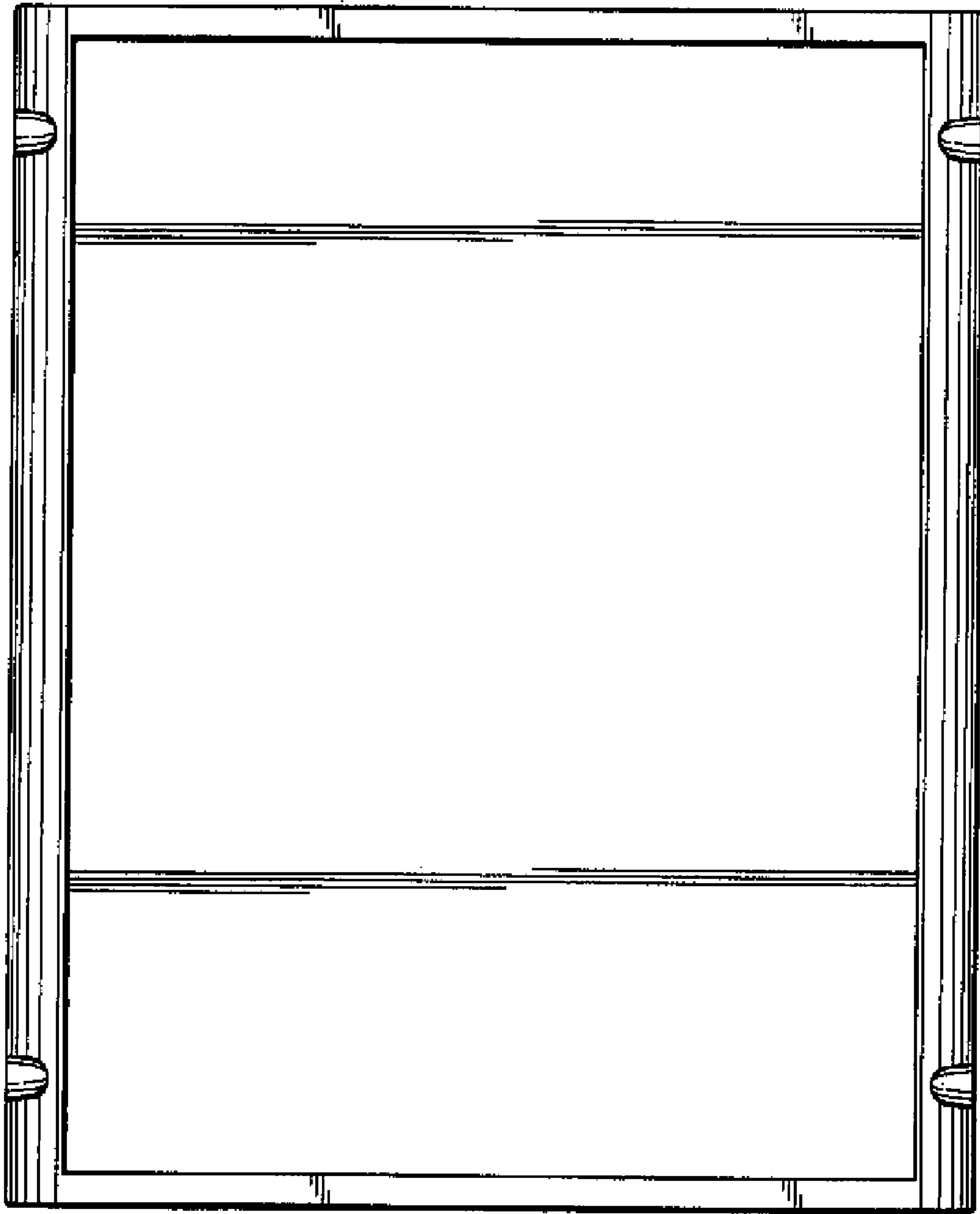


Fig. 22

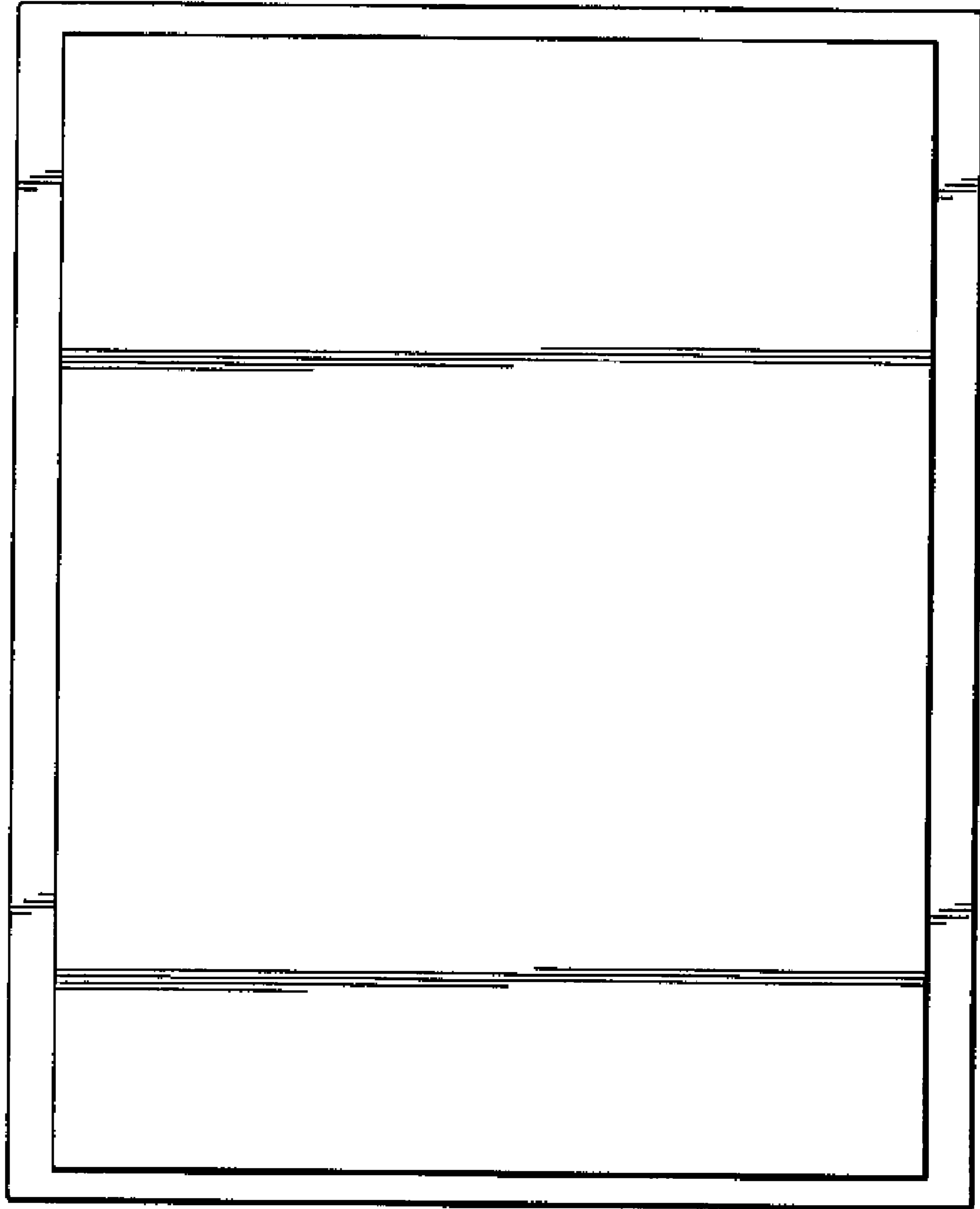


Fig. 23

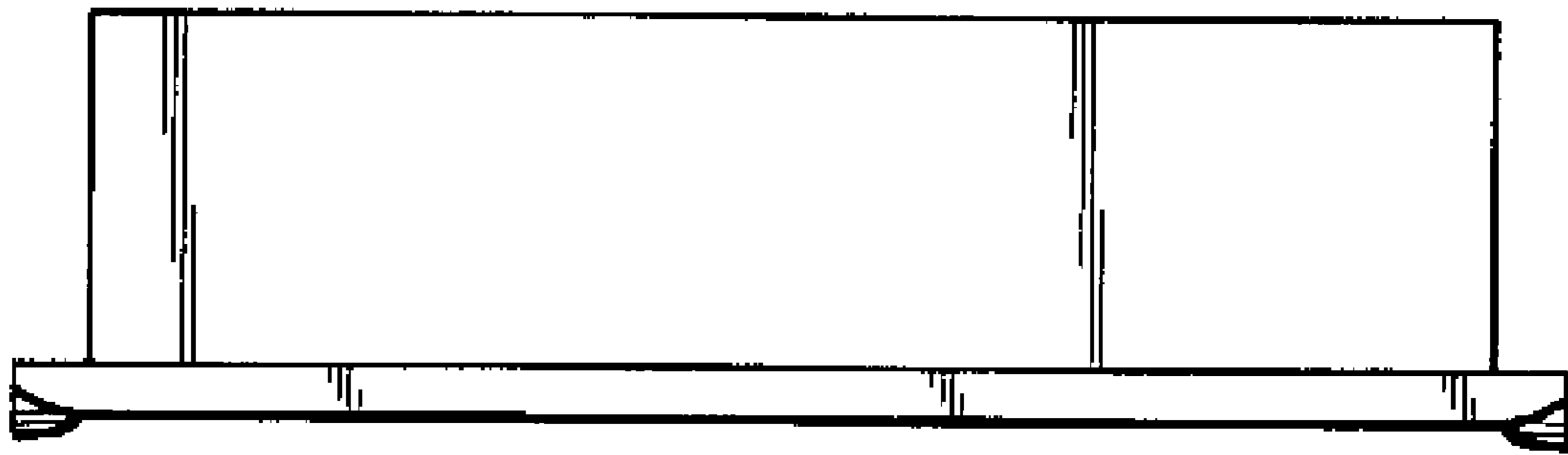


Fig. 24

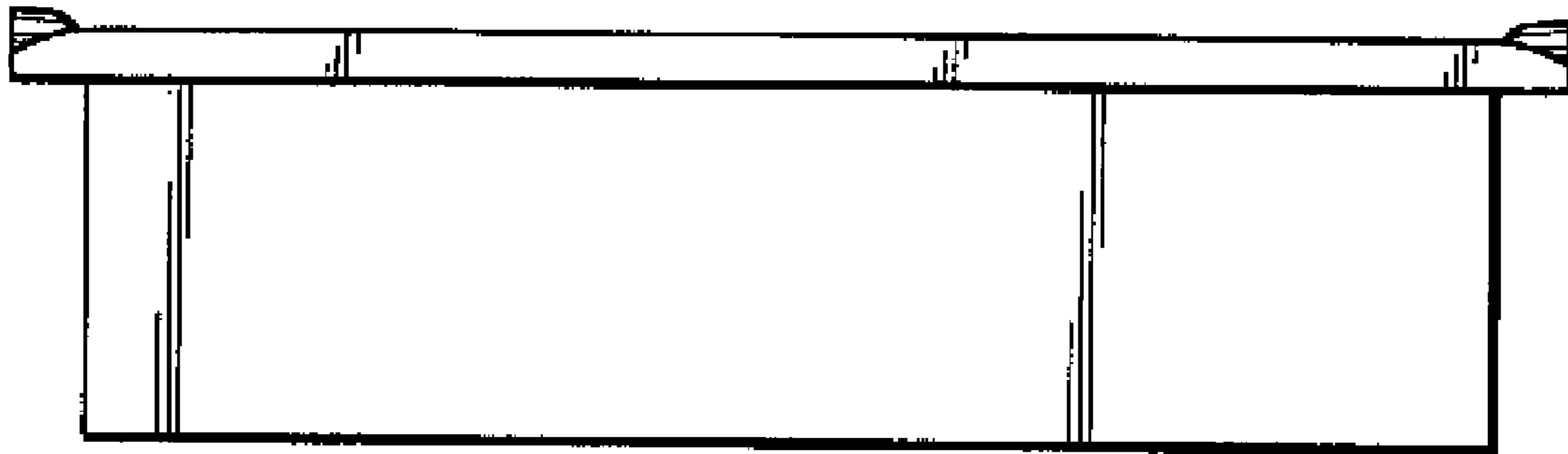


Fig. 25

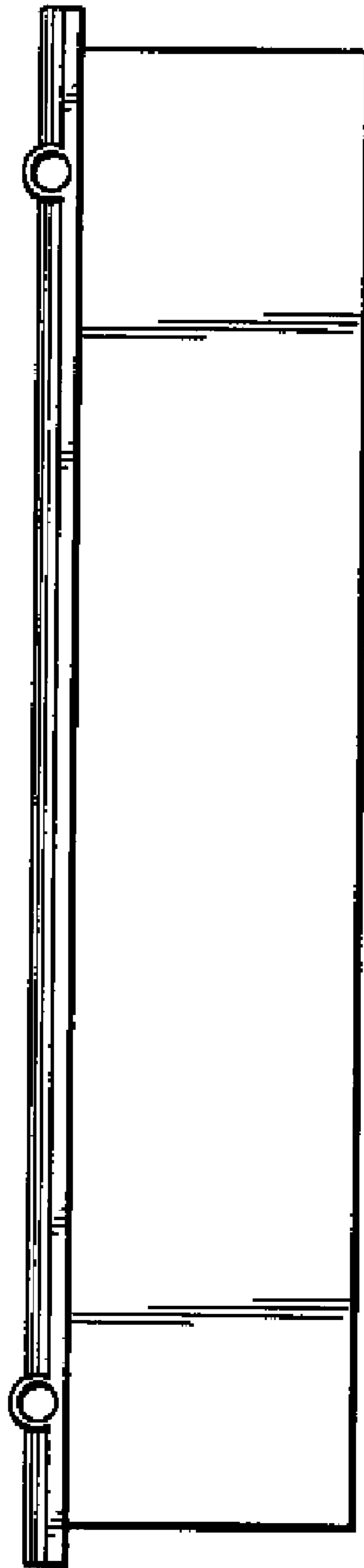


Fig. 26

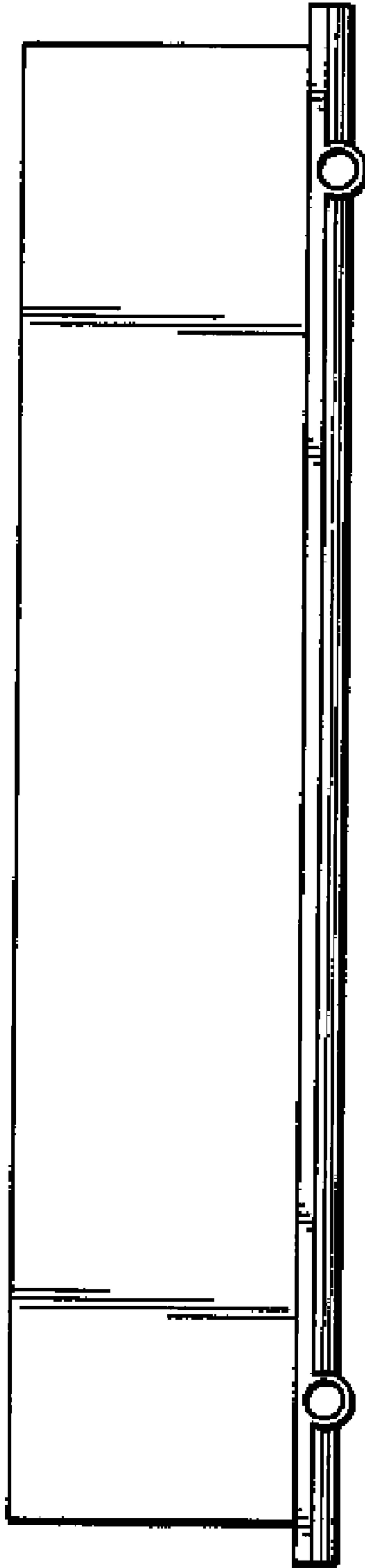


Fig. 27

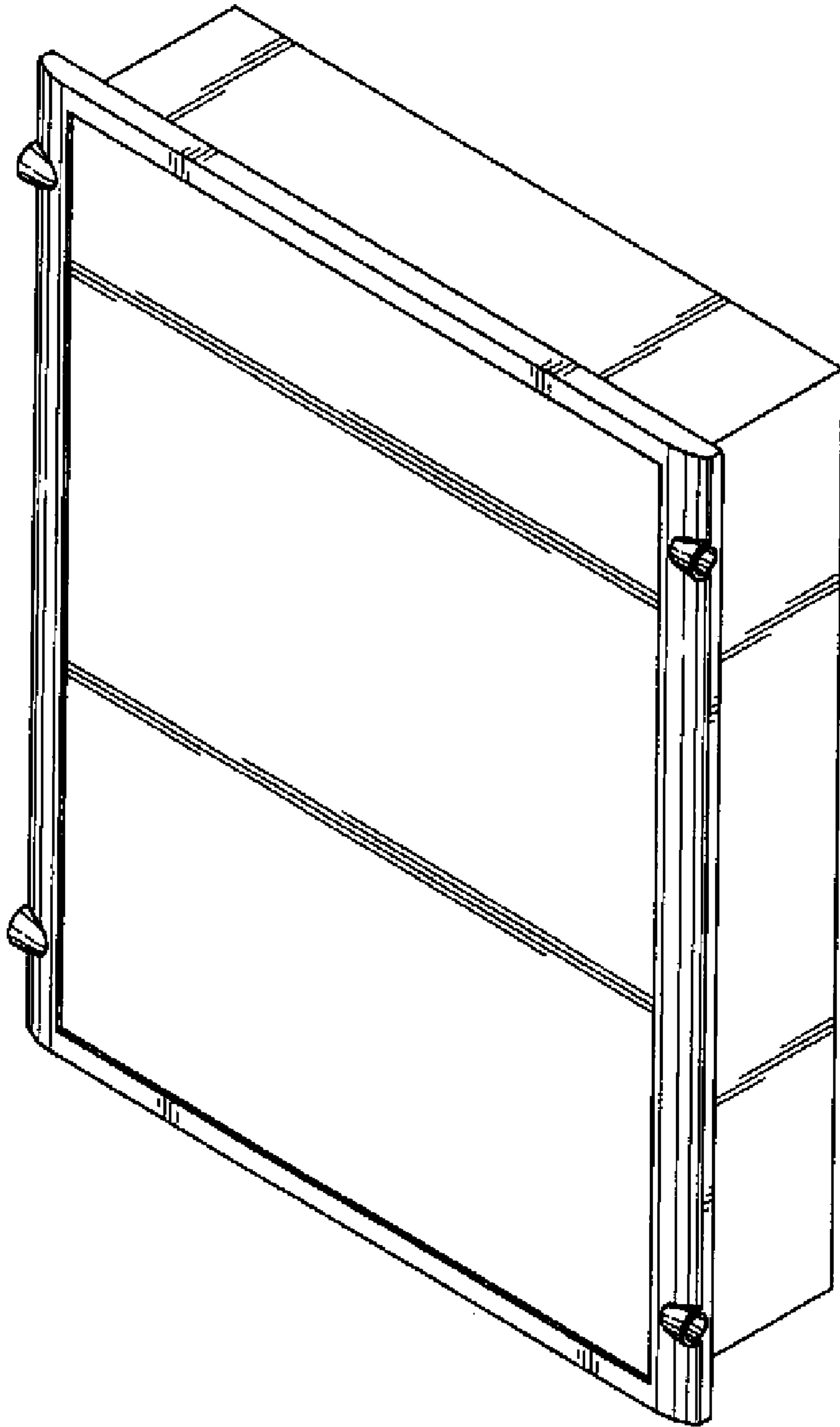


Fig. 28