



US00D555389S

(12) **United States Design Patent**  
**Kershaw**

(10) **Patent No.:** **US D555,389 S**

(45) **Date of Patent:** **\*\* Nov. 20, 2007**

(54) **PLANTER CADDY**

(76) **Inventor:** **Thomas R. Kershaw**, 5626 Riverside Dr., Cape Coral, FL (US) 33904

(\*\*) **Term:** **14 Years**

(21) **Appl. No.:** **29/260,305**

(22) **Filed:** **May 22, 2006**

(51) **LOC (8) Cl.** ..... **06-04**

(52) **U.S. Cl.** ..... **D6/403**

(58) **Field of Classification Search** ..... D6/403-405;  
D7/561; D11/143-146, 152-154; D26/9,  
D26/16, 19; D99/19, 23, 27; 47/32.7, 33,  
47/39, 41.01, 41.1, 41.11, 44-47, 65.5, 65.8,  
47/66.5-66.7, 67, 69, 71

See application file for complete search history.

(56) **References Cited**

**U.S. PATENT DOCUMENTS**

5,094,031 A 3/1992 Lee  
5,321,909 A 6/1994 Loran

D399,788 S \* 10/1998 Wagner ..... D11/164  
5,819,469 A 10/1998 Hsu  
D481,885 S \* 11/2003 Sellers ..... D6/403  
6,655,084 B1 12/2003 Missry  
6,766,615 B2 \* 7/2004 Smead ..... 47/71  
D503,562 S \* 4/2005 Sellers ..... D6/403  
7,024,818 B2 \* 4/2006 Maniscalco et al. .... 47/65.6  
7,114,288 B1 \* 10/2006 Kershaw ..... 47/39  
2006/0218857 A1 \* 10/2006 Kershaw ..... 47/39

\* cited by examiner

*Primary Examiner*—Robert M. Spear  
*Assistant Examiner*—Garth Rademaker

(57) **CLAIM**

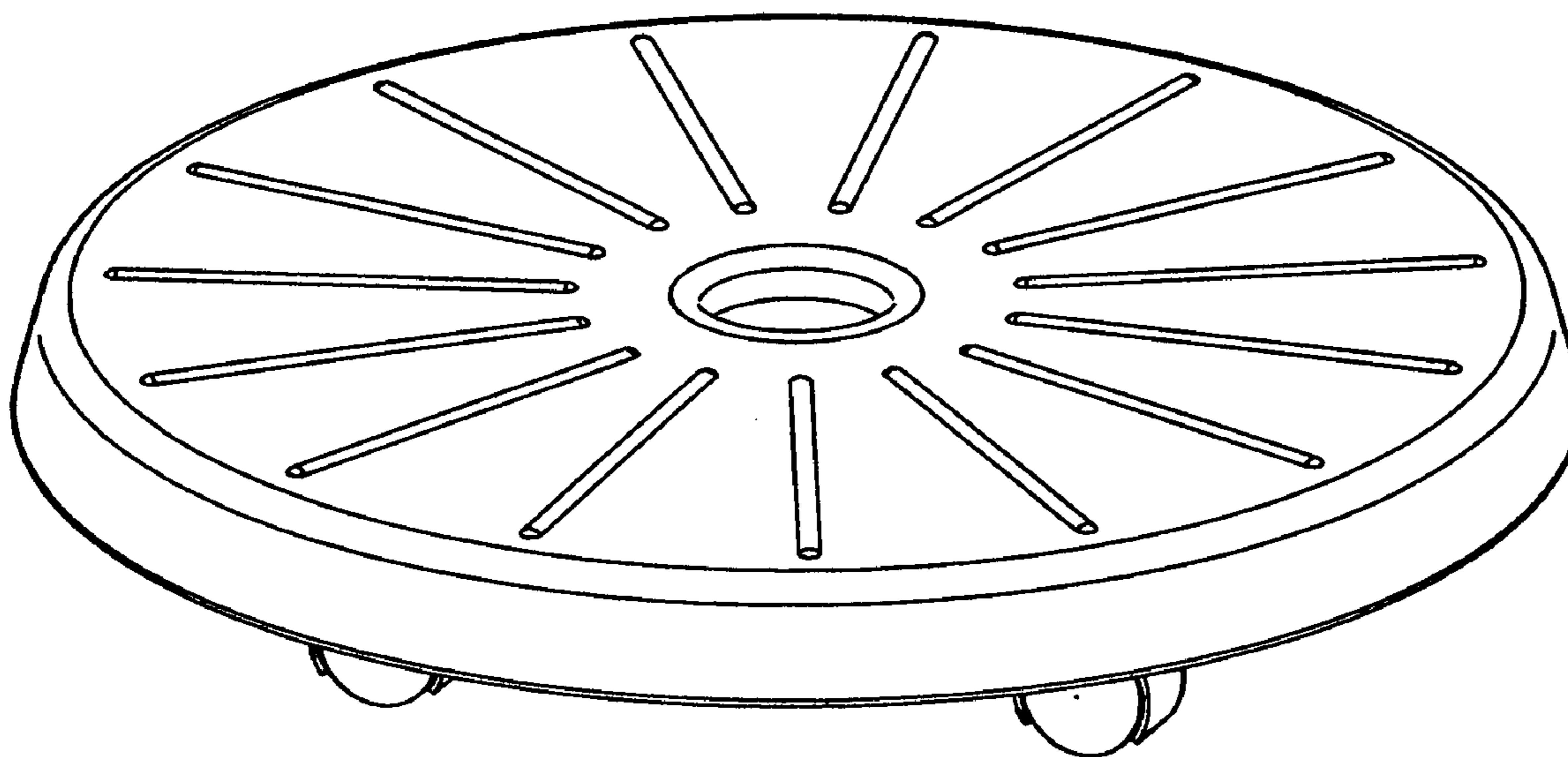
The ornamental design for a planter caddy, as shown and described.

**DESCRIPTION**

FIG. 1 is a top perspective view of a planter caddy, showing my new design; and,

FIG. 2 is a bottom perspective view thereof.

**1 Claim, 1 Drawing Sheet**



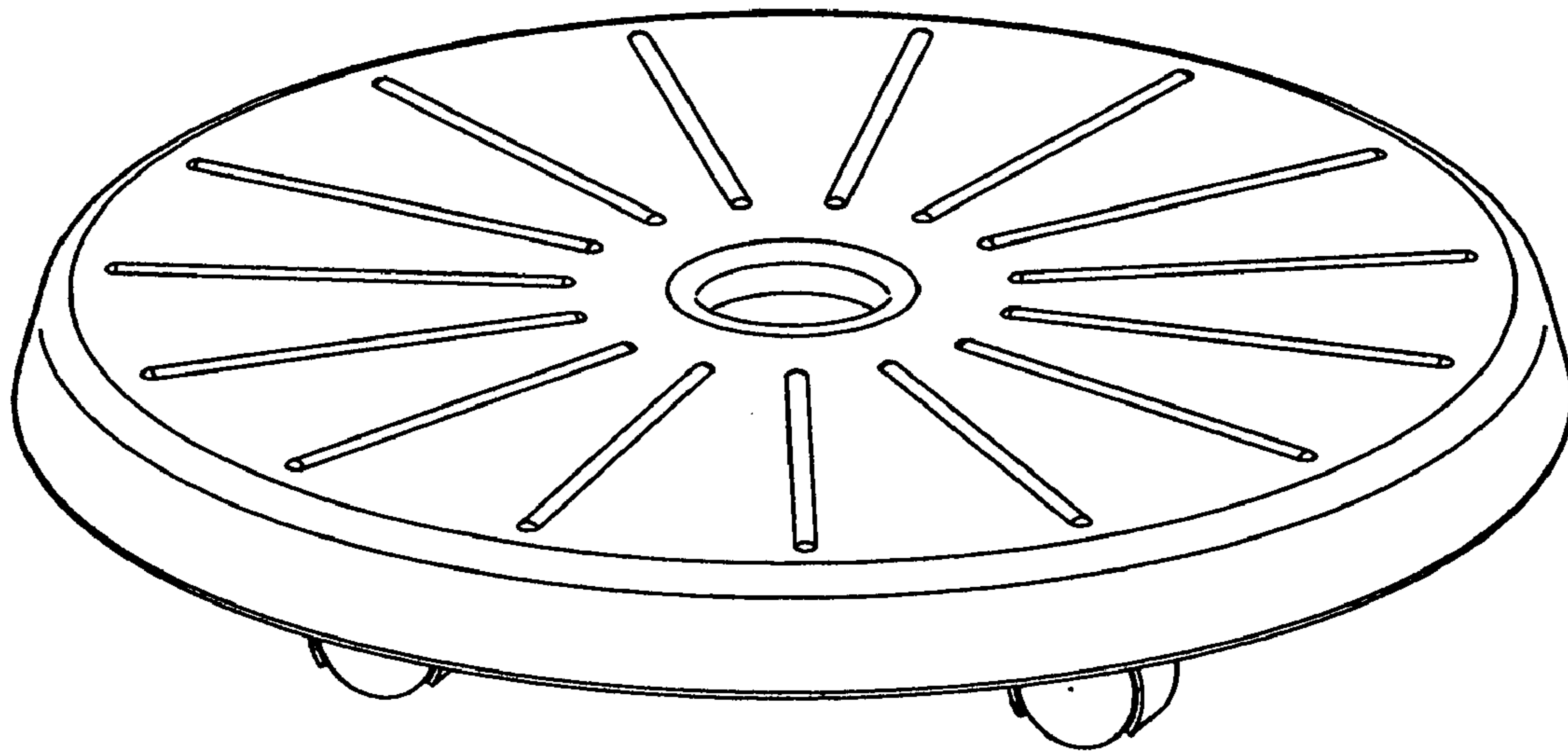


Fig. 1

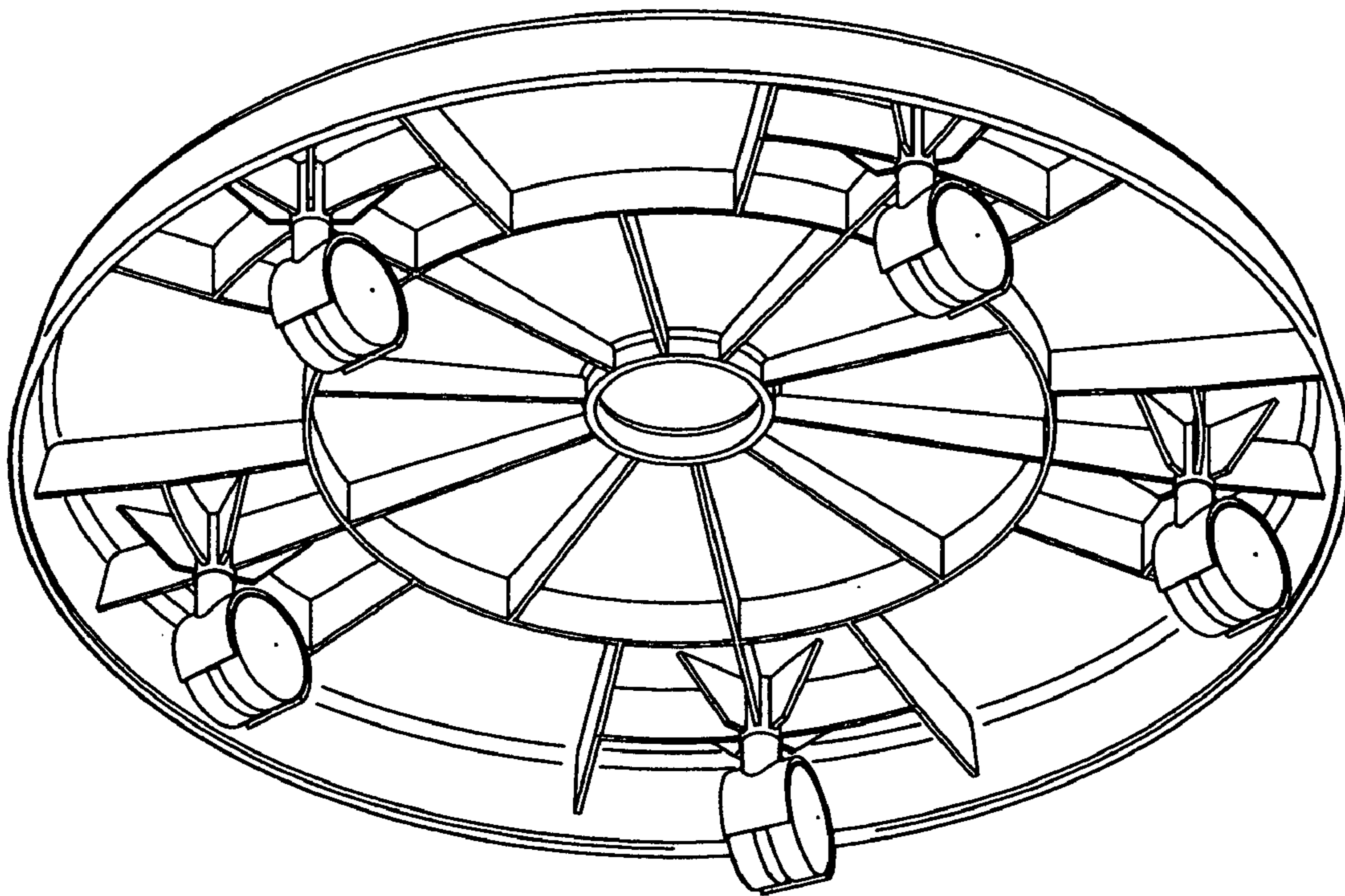


Fig. 2