



US00D555385S

(12) **United States Design Patent**
Lade

(10) **Patent No.:** **US D555,385 S**

(45) **Date of Patent:** **** Nov. 20, 2007**

(54) **SOFA**

(75) Inventor: **Jan Lade**, Ikornnes (NO)

(73) Assignee: **Ekornes ASA**, Ikornnes (NO)

(**) Term: **14 Years**

(21) Appl. No.: **29/258,825**

(22) Filed: **Apr. 27, 2006**

(30) **Foreign Application Priority Data**

Oct. 28, 2005 (NO) 20050621

(51) **LOC (8) Cl.** **06-01**

(52) **U.S. Cl.** **D6/381**

(58) **Field of Classification Search** D6/334-336,
D6/361, 371, 381, 500-502, 492; 297/445.1,
297/446.1, 232, 248; 5/12.1
See application file for complete search history.

(56) **References Cited**

U.S. PATENT DOCUMENTS

D257,300 S *	10/1980	Fisher	D6/377
D284,046 S *	6/1986	Staats et al.	D6/335
D284,240 S *	6/1986	Culler	D6/381
D287,439 S *	12/1986	Culler	D6/381
D288,990 S *	3/1987	Culler	D6/335
D298,389 S *	11/1988	Culler	D6/335
D312,926 S *	12/1990	Gera	D6/335
5,064,244 A *	11/1991	Sproule	297/68
D327,373 S *	6/1992	Warren	D6/335
D334,300 S *	3/1993	Gibson	D6/381
D342,168 S *	12/1993	Gibson	D6/381
5,314,234 A *	5/1994	England	297/248
5,360,255 A *	11/1994	Cook et al.	297/232
D359,394 S *	6/1995	Durling	D6/336
D470,674 S *	2/2003	Friedman	D6/381
D499,267 S *	12/2004	Ricci	D6/381
D499,268 S *	12/2004	Ricci	D6/381
D509,373 S *	9/2005	Nastri	D6/381
D511,422 S *	11/2005	Nastri	D6/381
D522,268 S *	6/2006	Denton	D6/381
D524,569 S *	7/2006	Kevonian	D6/381

D537,264 S *	2/2007	Warren	D6/381
D537,649 S *	3/2007	Lade	D6/381
D538,057 S *	3/2007	Warren	D6/381
2003/0189364 A1 *	10/2003	Friedman	297/232

* cited by examiner

Primary Examiner—Sandra Snapp

(74) *Attorney, Agent, or Firm*—Schneck & Schneck;
Thomas Schneck

(57) **CLAIM**

I claim the ornamental design for a sofa, as shown and described.

DESCRIPTION

This application is related to application Ser. No. 29/258,830 filed Apr. 27, 2006 for sofa.

FIG. 1 is a front perspective view of a first embodiment of my new design;

FIG. 2 is a rear perspective view thereof;

FIG. 3 is a left front elevational view thereof;

FIG. 4 is a right front elevational view thereof;

FIG. 5 is a right back elevational view, the left back elevation being a mirror image thereof;

FIG. 6 is a bottom view thereof;

FIG. 7 is a top view thereof;

FIG. 8 is a front perspective view of a second embodiment of the design of FIG. 1.

FIG. 9 is a rear perspective view thereof;

FIG. 10 is a left front elevational view thereof;

FIG. 11 is a right front elevational view thereof;

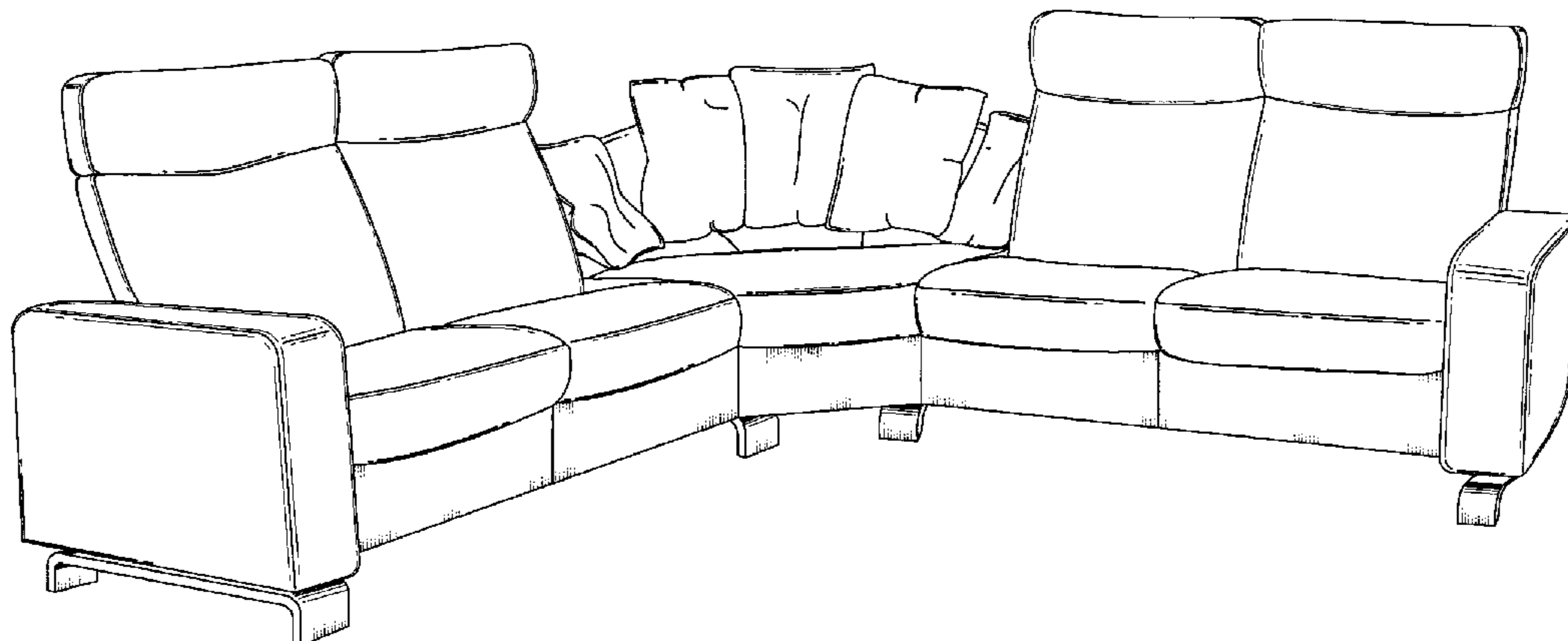
FIG. 12 is a right back elevational view thereof;

FIG. 13 is a left back elevational view thereof;

FIG. 14 is a bottom view thereof; and,

FIG. 15 is a top view thereof.

1 Claim, 8 Drawing Sheets



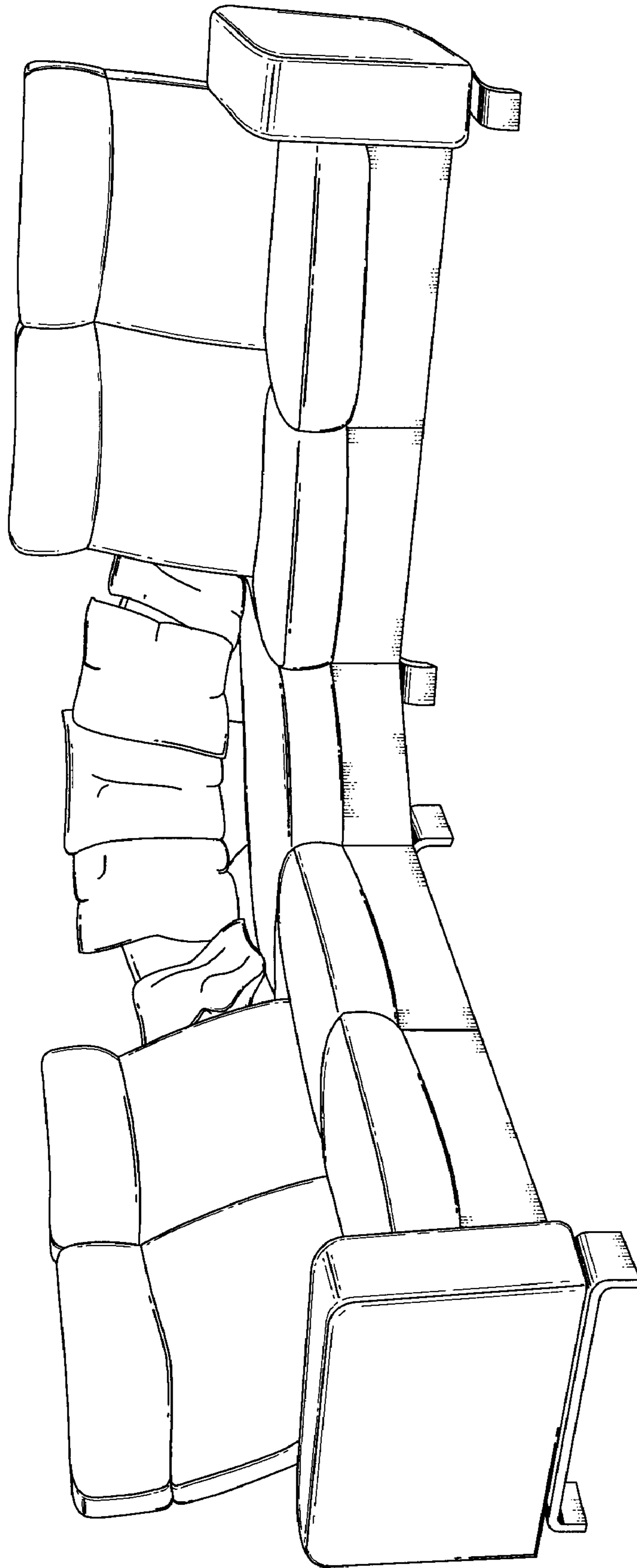


Fig. 1

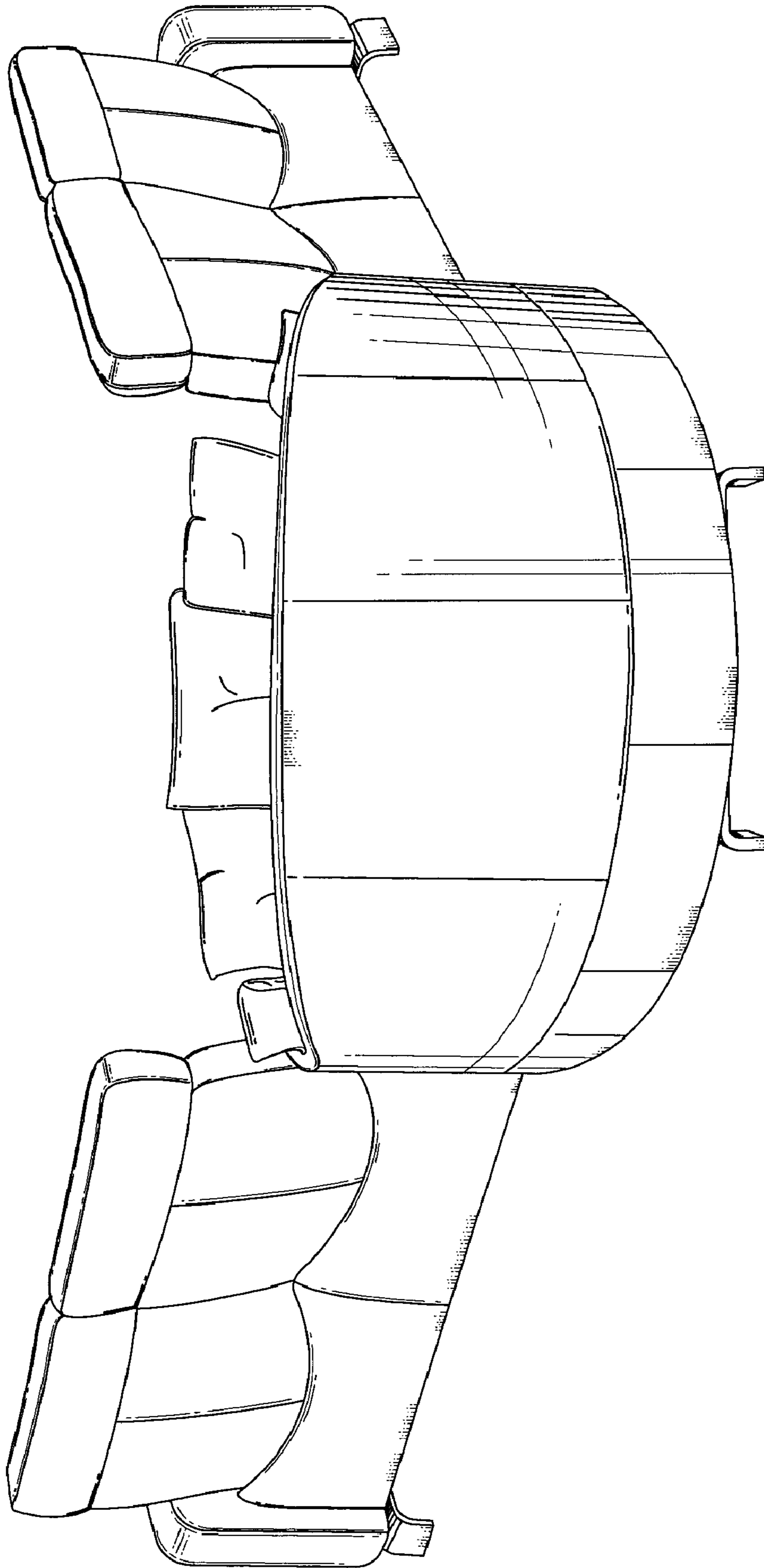


Fig. 2

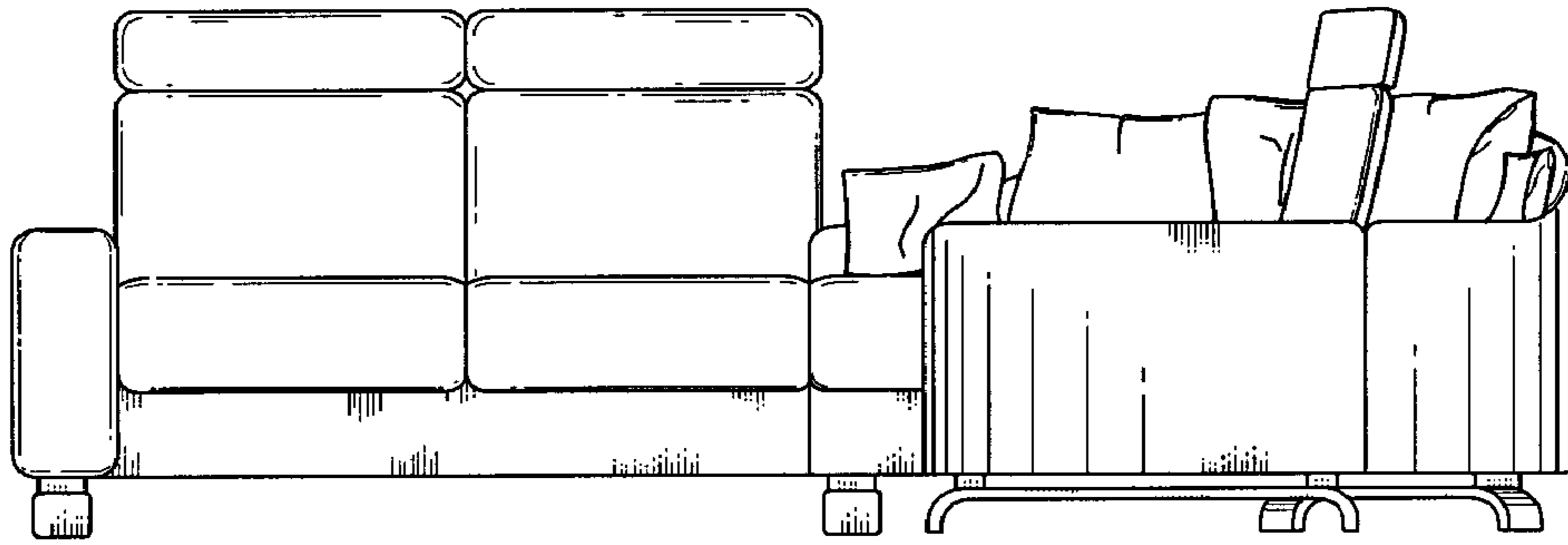


Fig. 3

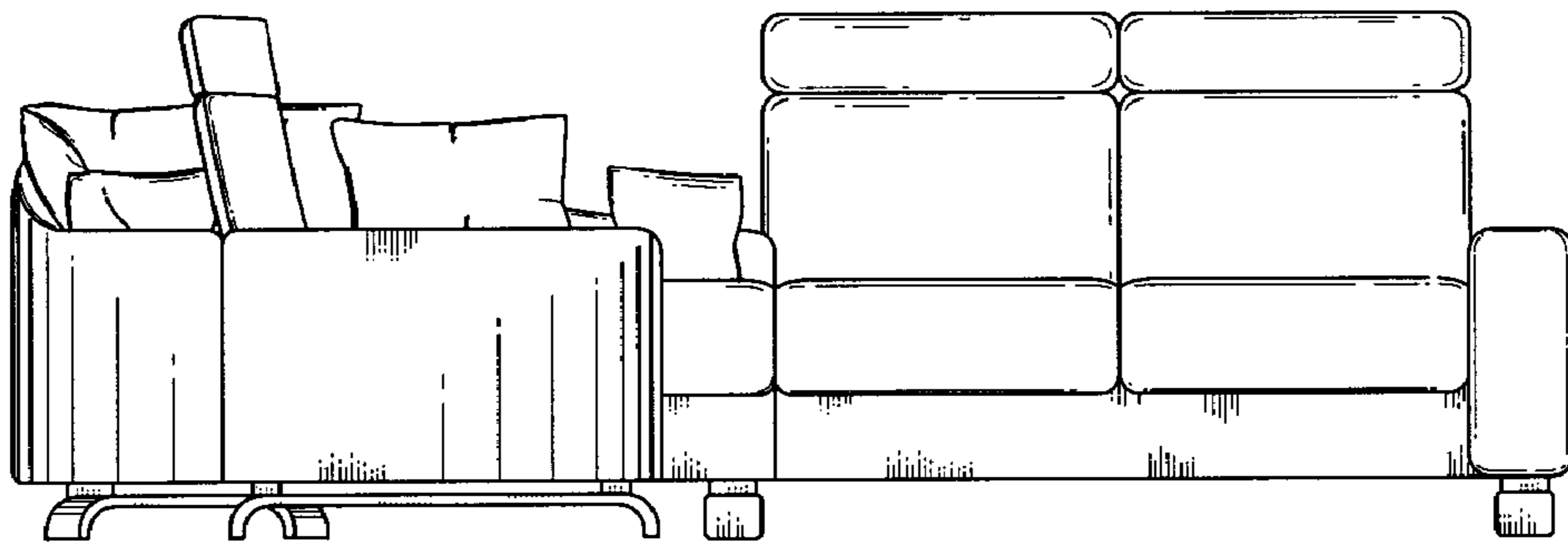


Fig. 4

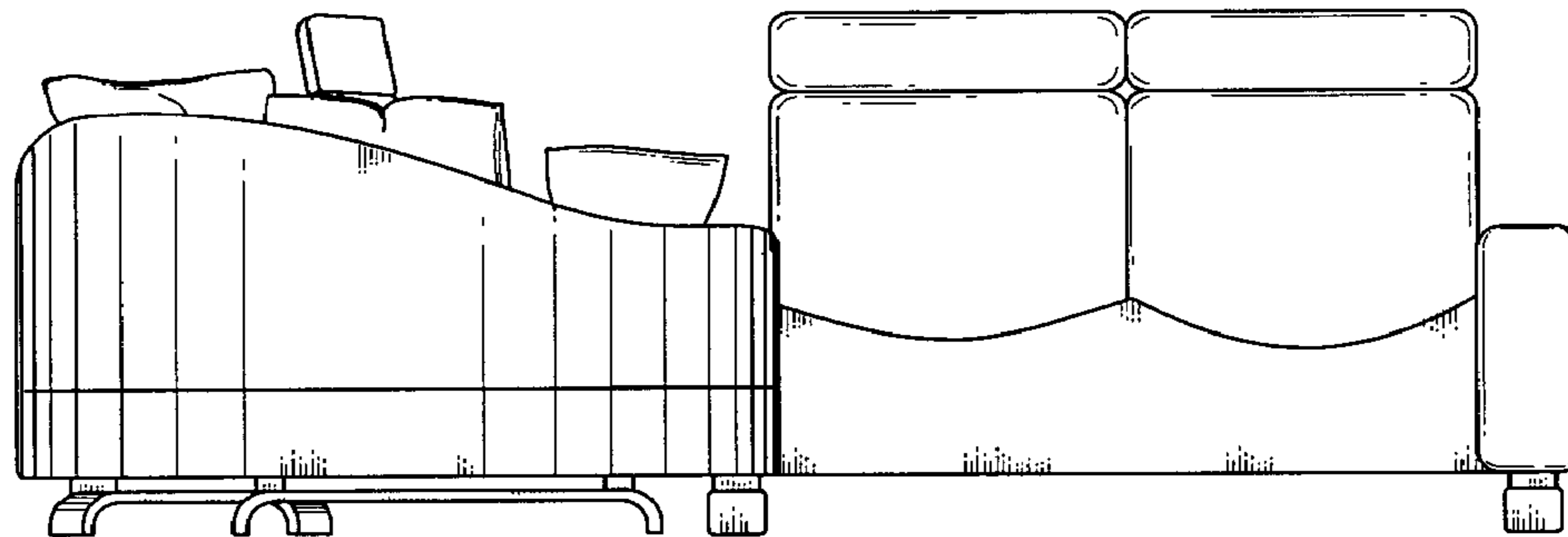


Fig. 5

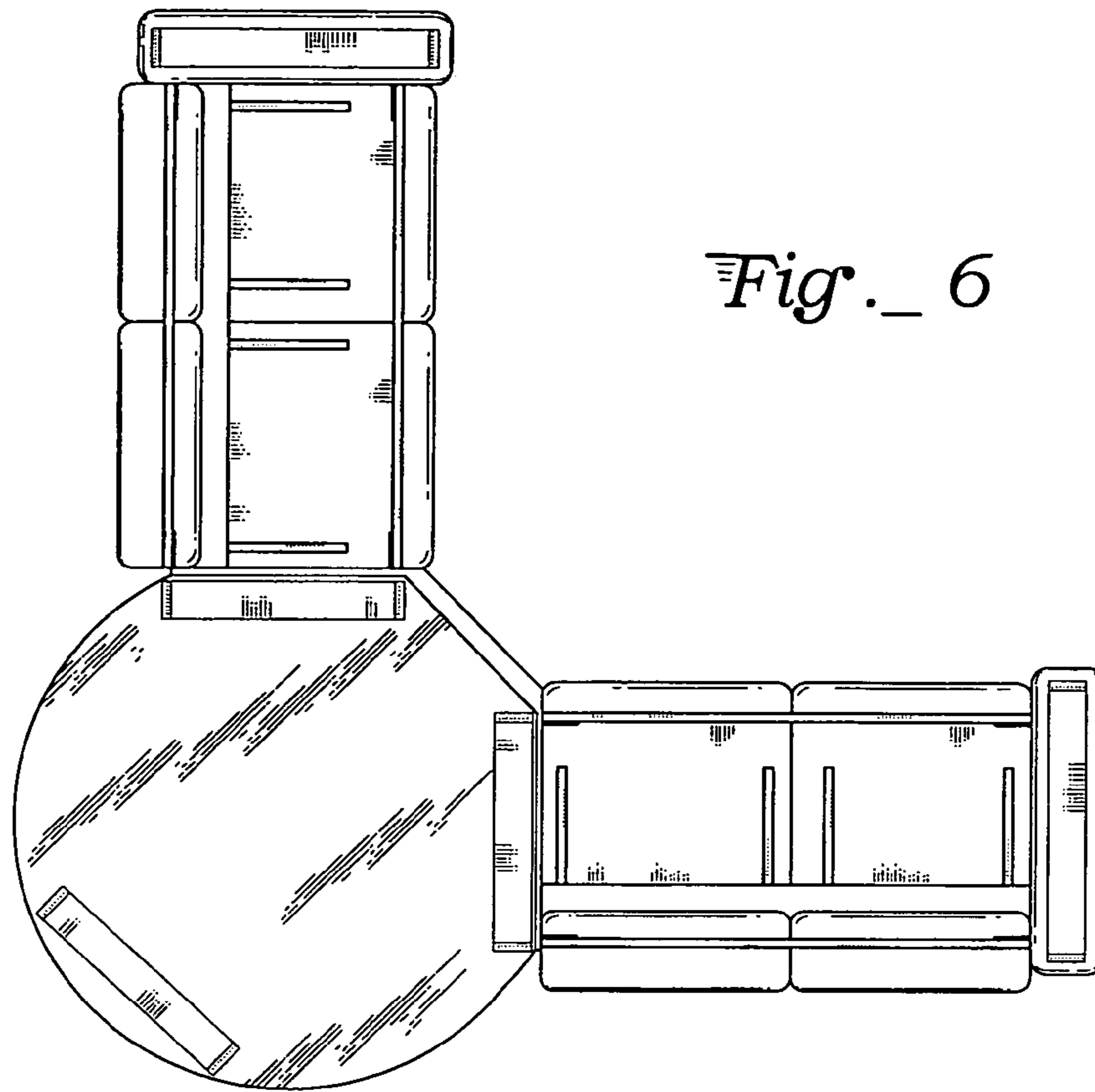


Fig. 6

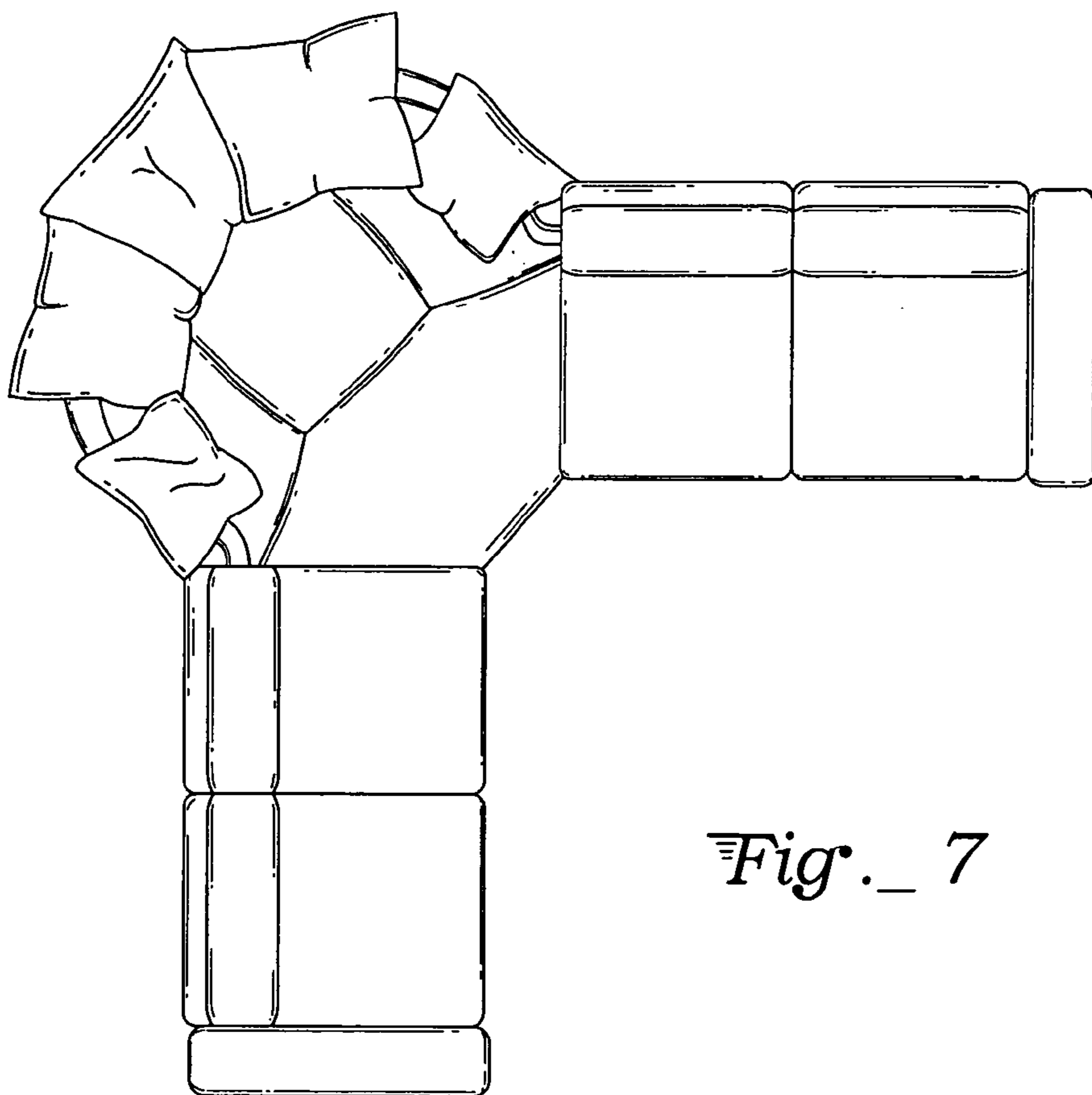


Fig. 7

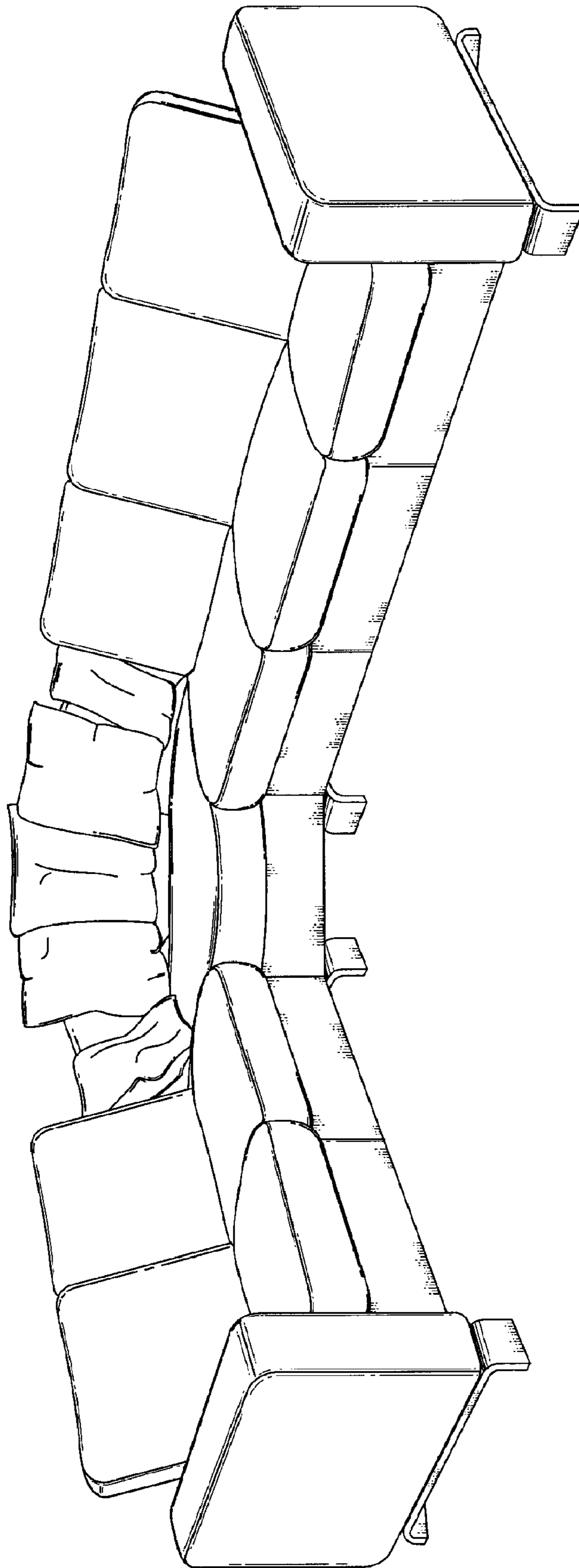


Fig. 8

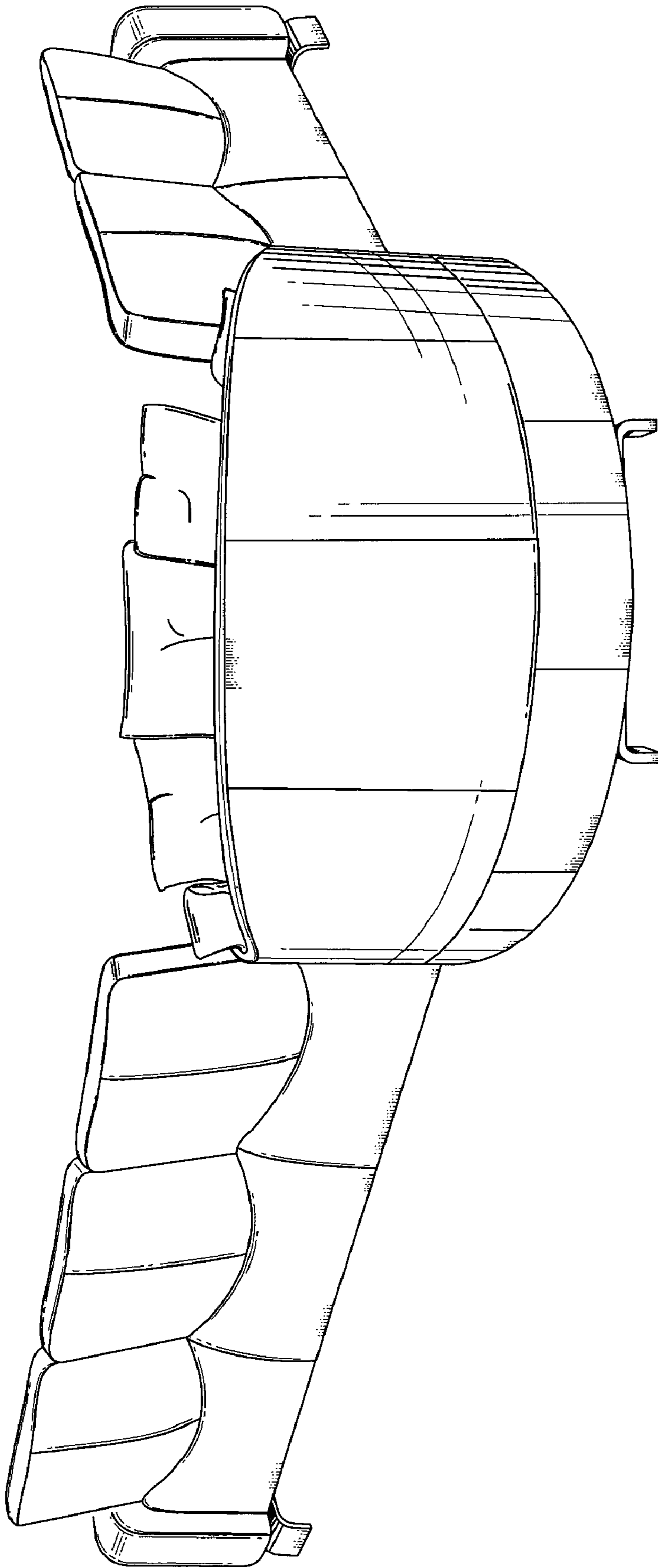


Fig. 9

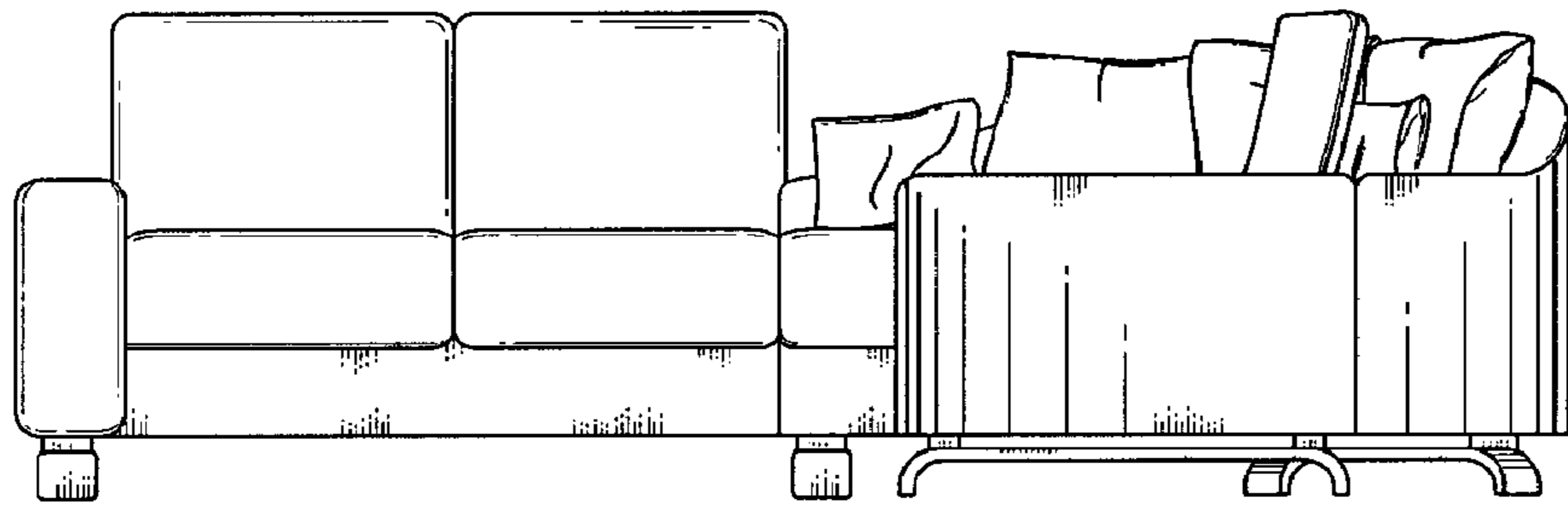


Fig. 10

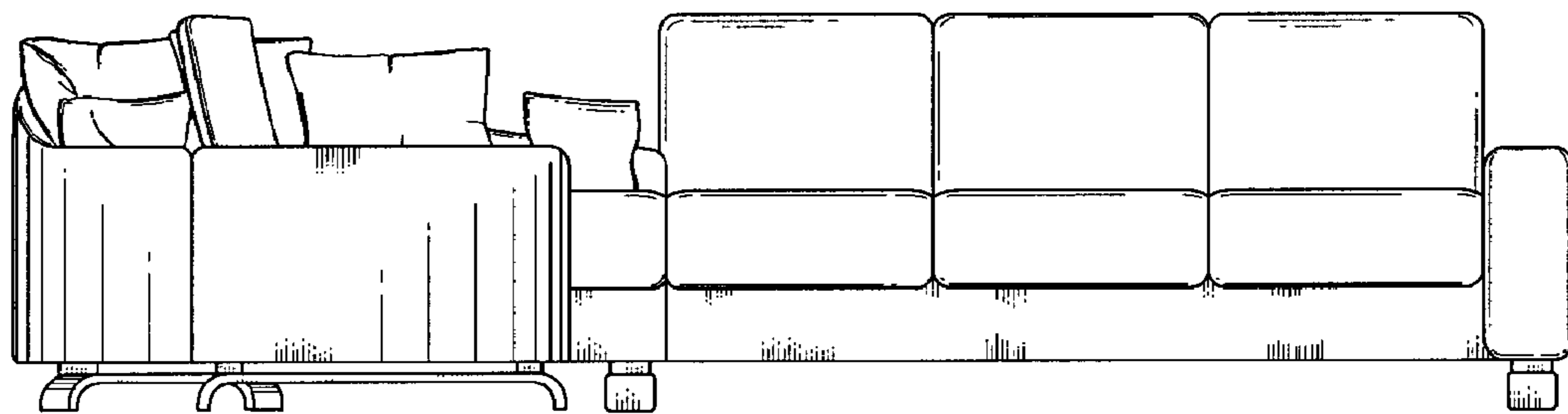


Fig. 11

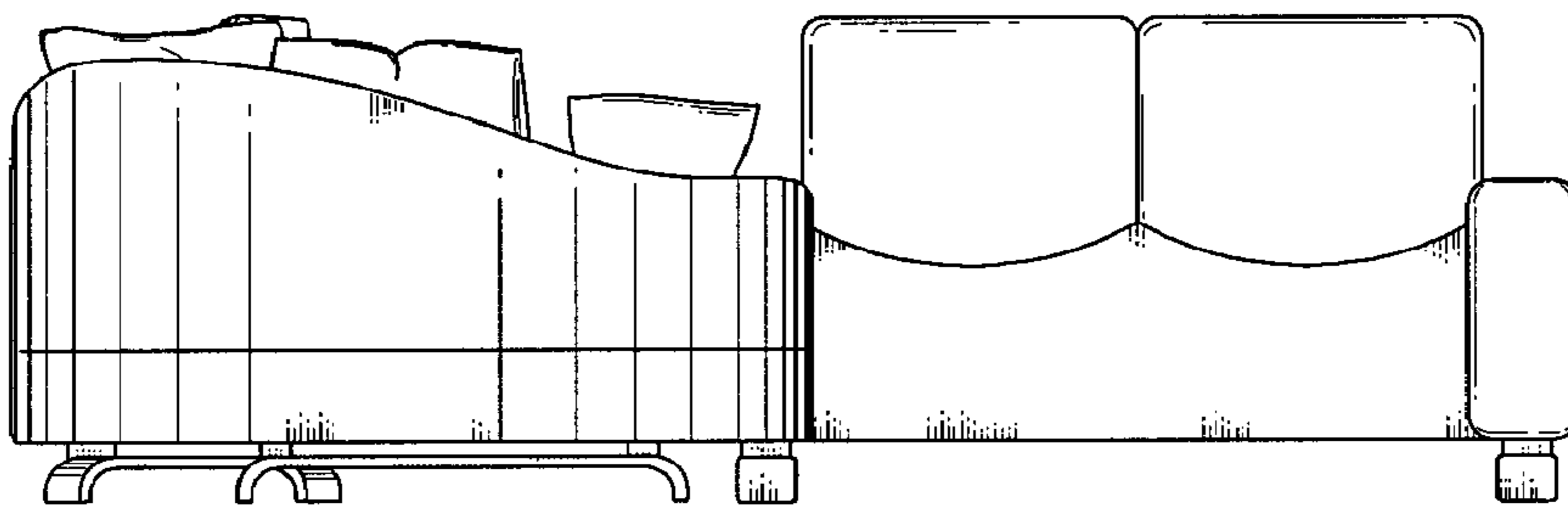


Fig. 12

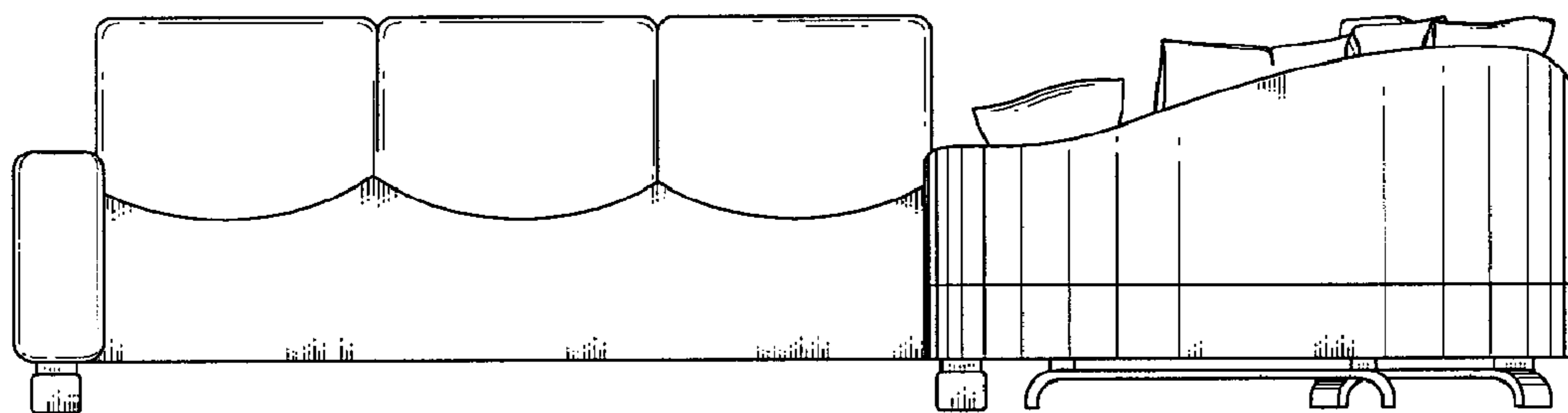


Fig. 13

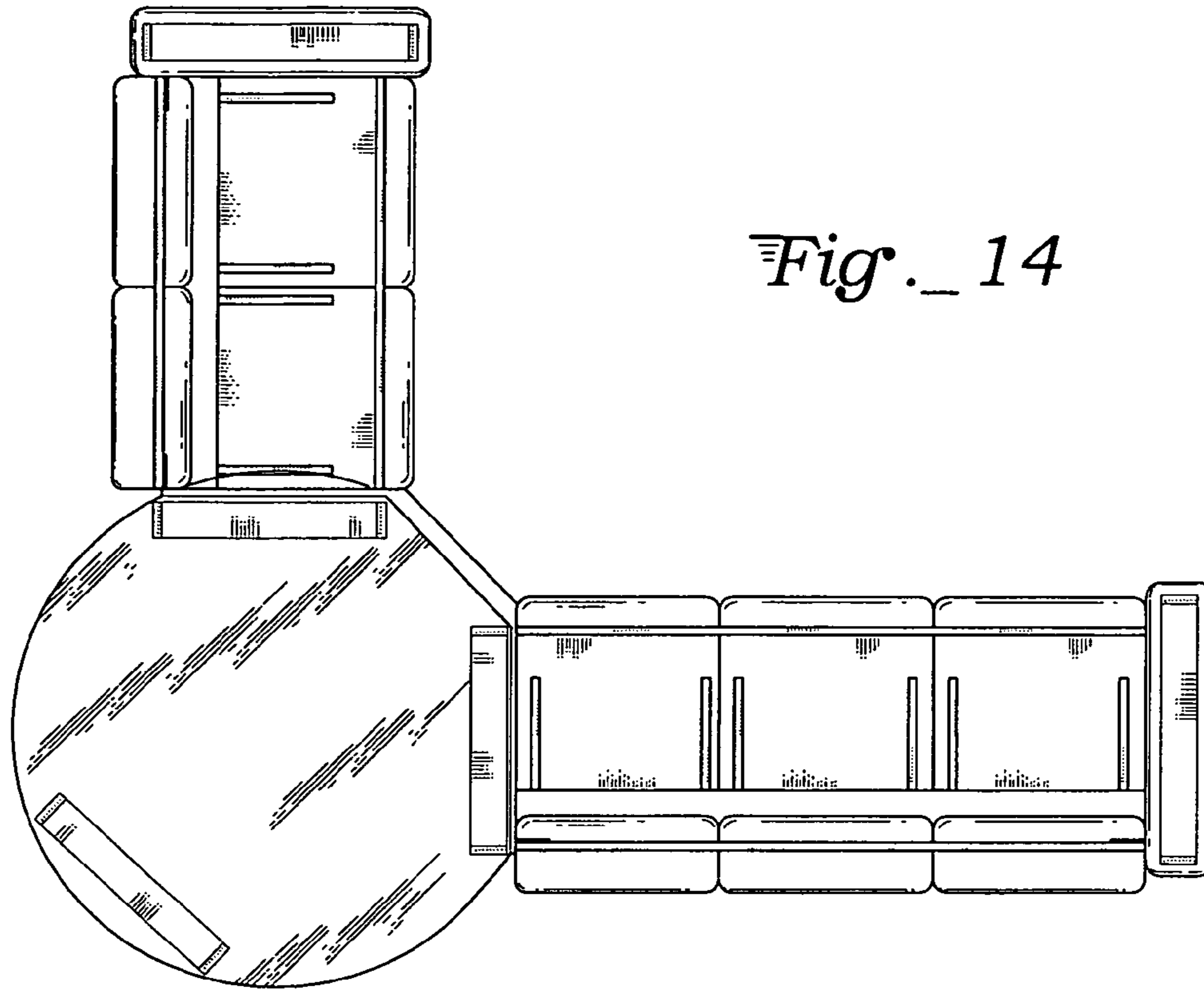


Fig. 14

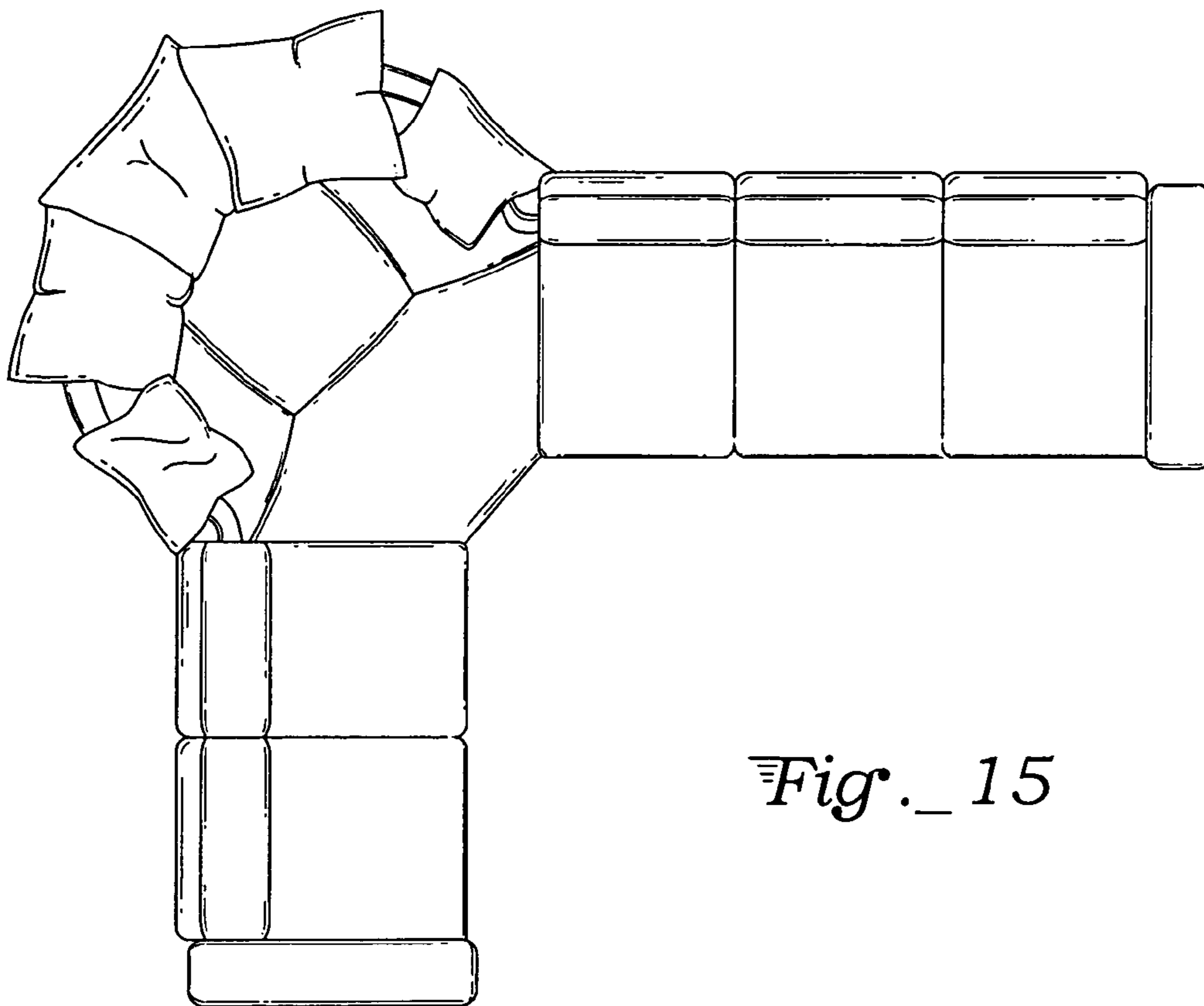


Fig. 15