



US00D555381S

(12) **United States Design Patent**
Swanson

(10) **Patent No.:** **US D555,381 S**

(45) **Date of Patent:** **** Nov. 20, 2007**

(54) **CHAIR**

(75) Inventor: **Charles Swanson**, Fall River, MA (US)

(73) Assignee: **Benchmark Design Group**,
Jacksonville Beach, FL (US)

(**) Term: **14 Years**

(21) Appl. No.: **29/280,089**

(22) Filed: **May 16, 2007**

(51) **LOC (8) Cl.** **06-01**

(52) **U.S. Cl.** **D6/380; D6/374**

(58) **Field of Classification Search** D6/334-336,
D6/364, 365, 370-373, 374, 376, 379, 380,
D6/500-502; 297/239, 445.1, 446.1, 451.1,
297/452.1

See application file for complete search history.

(56) **References Cited**

U.S. PATENT DOCUMENTS

- D181,241 S * 10/1957 Swanson D6/374
- D188,241 S * 6/1960 Christenson, Jr. D6/374
- D190,172 S * 4/1961 Alverson D6/374

- D448,190 S * 9/2001 Chang D6/374
- D489,193 S * 5/2004 Muller D6/380
- D511,051 S * 11/2005 Quintal D6/374
- D512,236 S * 12/2005 Preisig D6/374
- D544,228 S * 6/2007 Bartlmae D6/374

* cited by examiner

Primary Examiner—Mimosa De

(57) **CLAIM**

The ornamental design for chair, as shown and described.

DESCRIPTION

FIG. 1 is a perspective view of a chair, showing my new design;

FIG. 2 is a front elevational view of the invention;

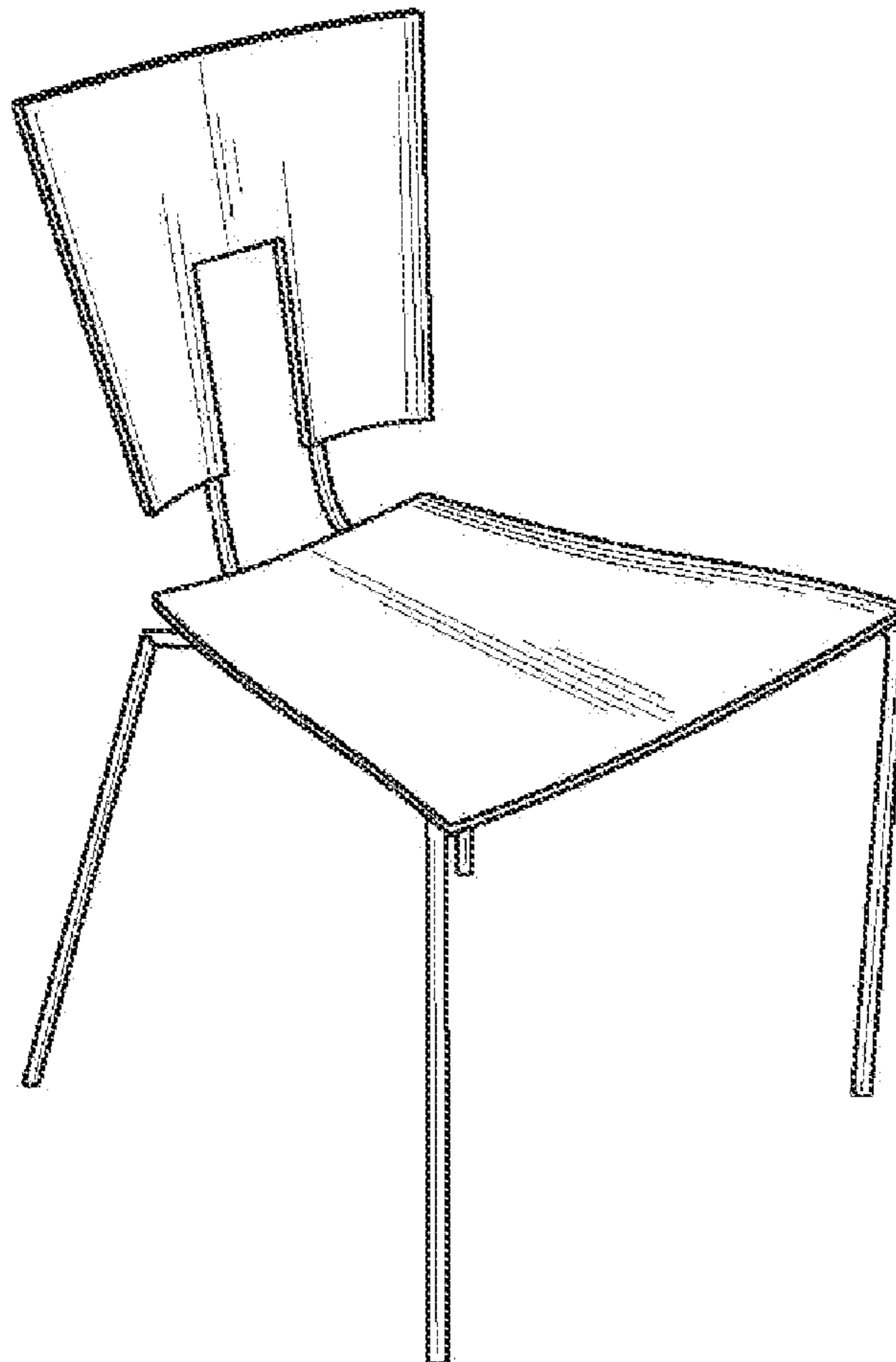
FIG. 3 is a rear elevational view of the invention;

FIG. 4 is a left-side elevational view of the invention, the right-side elevational view being a mirror image thereof;

FIG. 5 is a top plan view of the invention; and,

FIG. 6 is a bottom plan view of the invention.

1 Claim, 2 Drawing Sheets



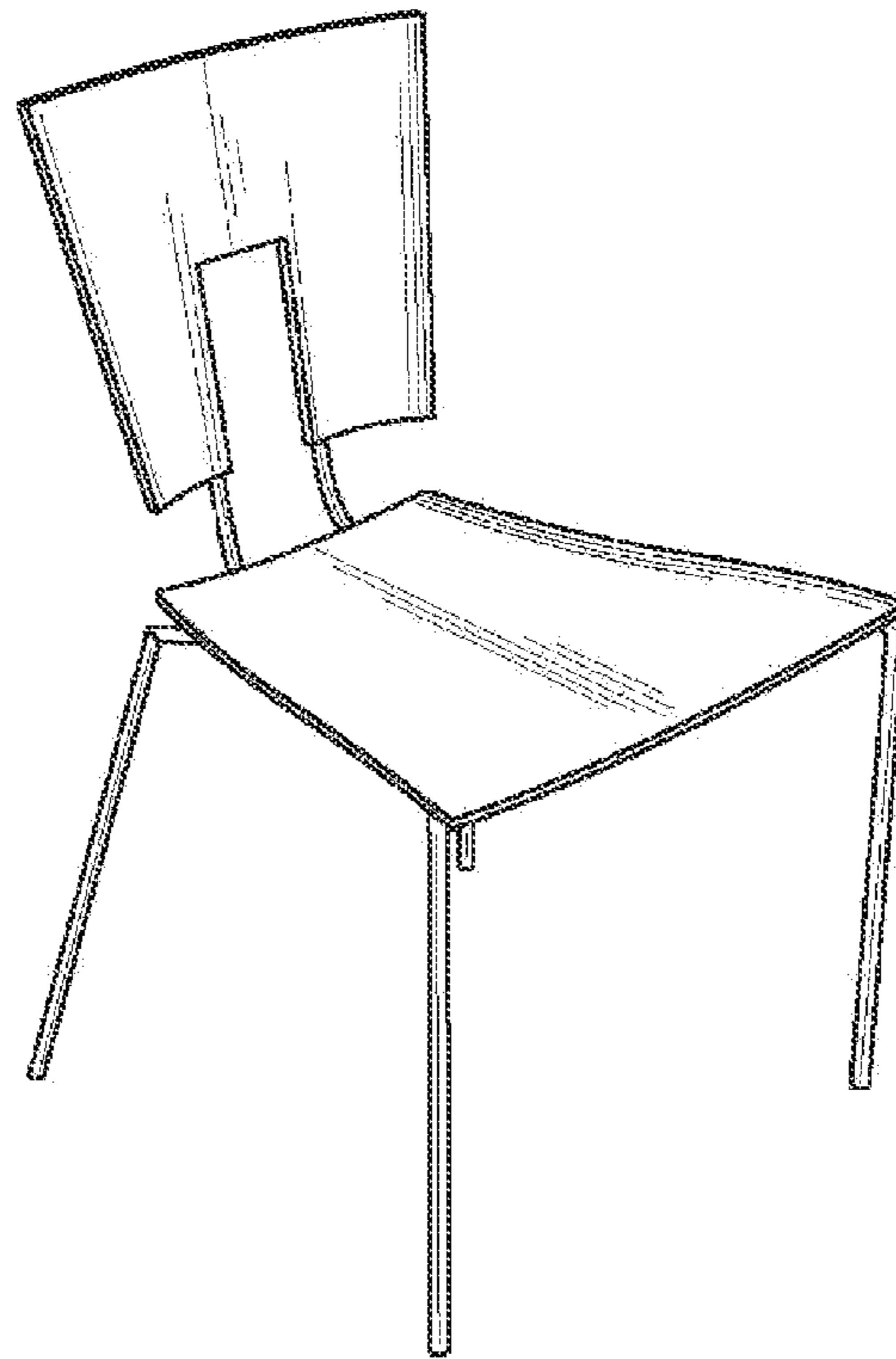


FIG. 1

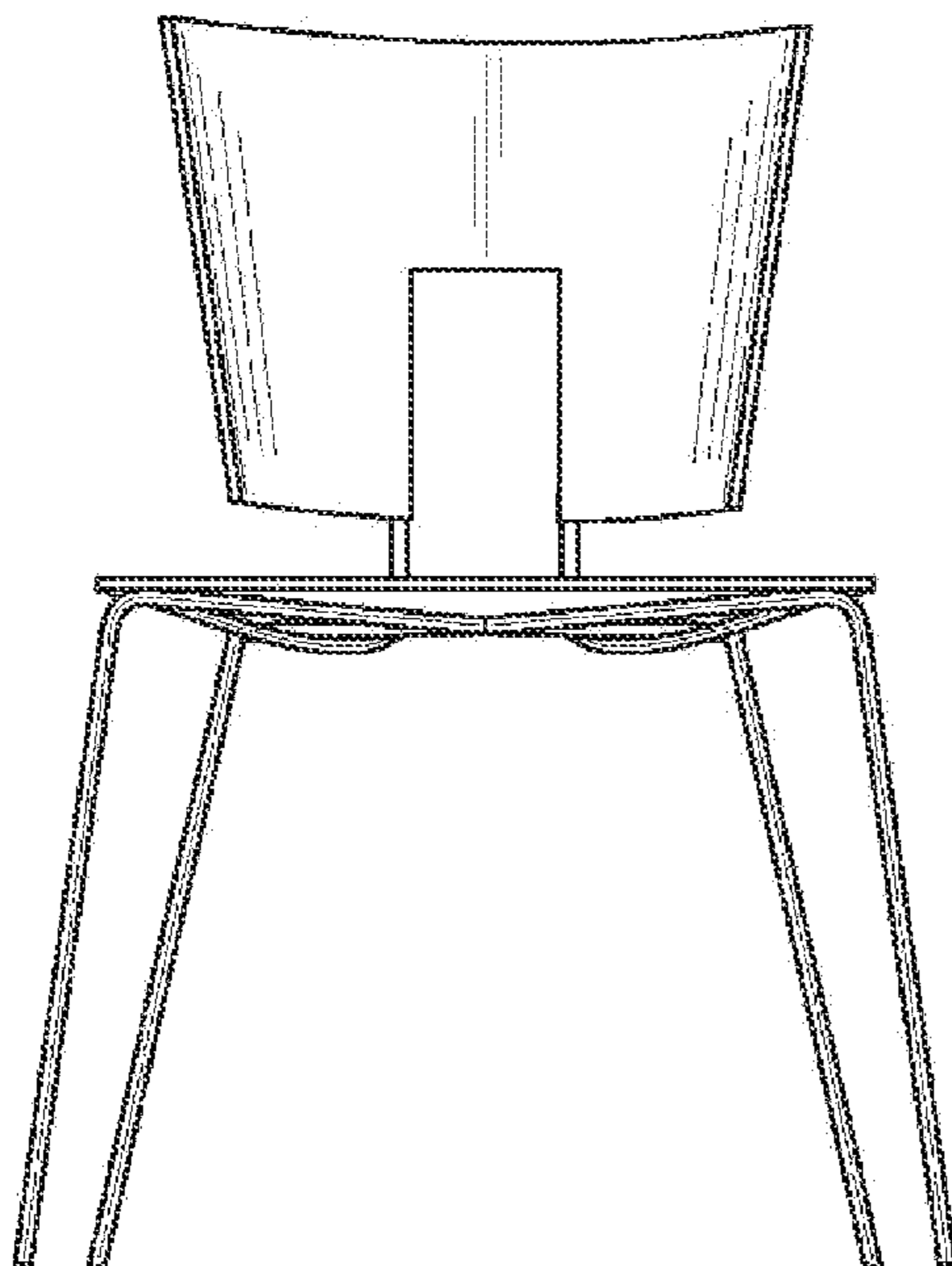


FIG. 2

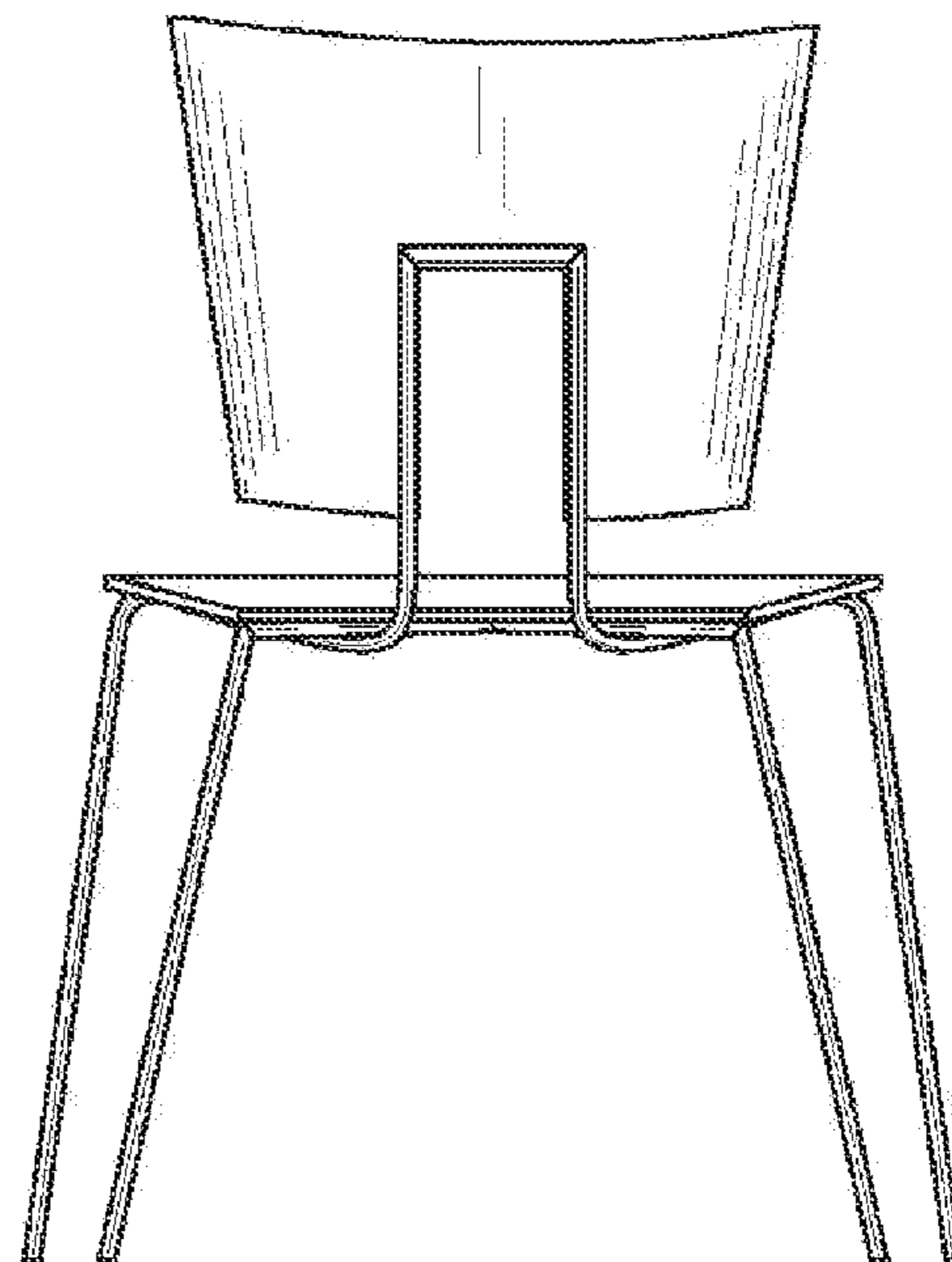


FIG. 3

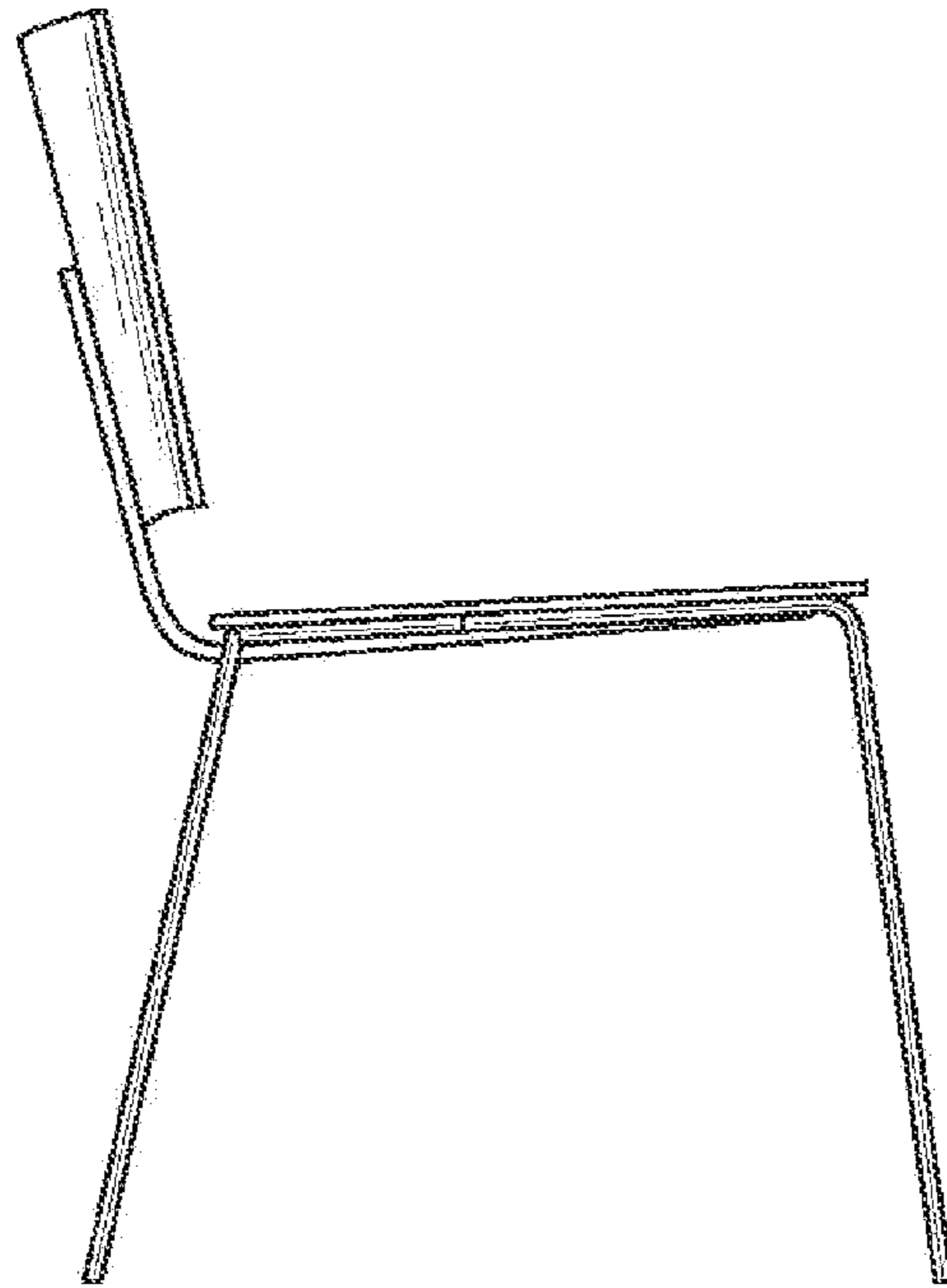


FIG. 4

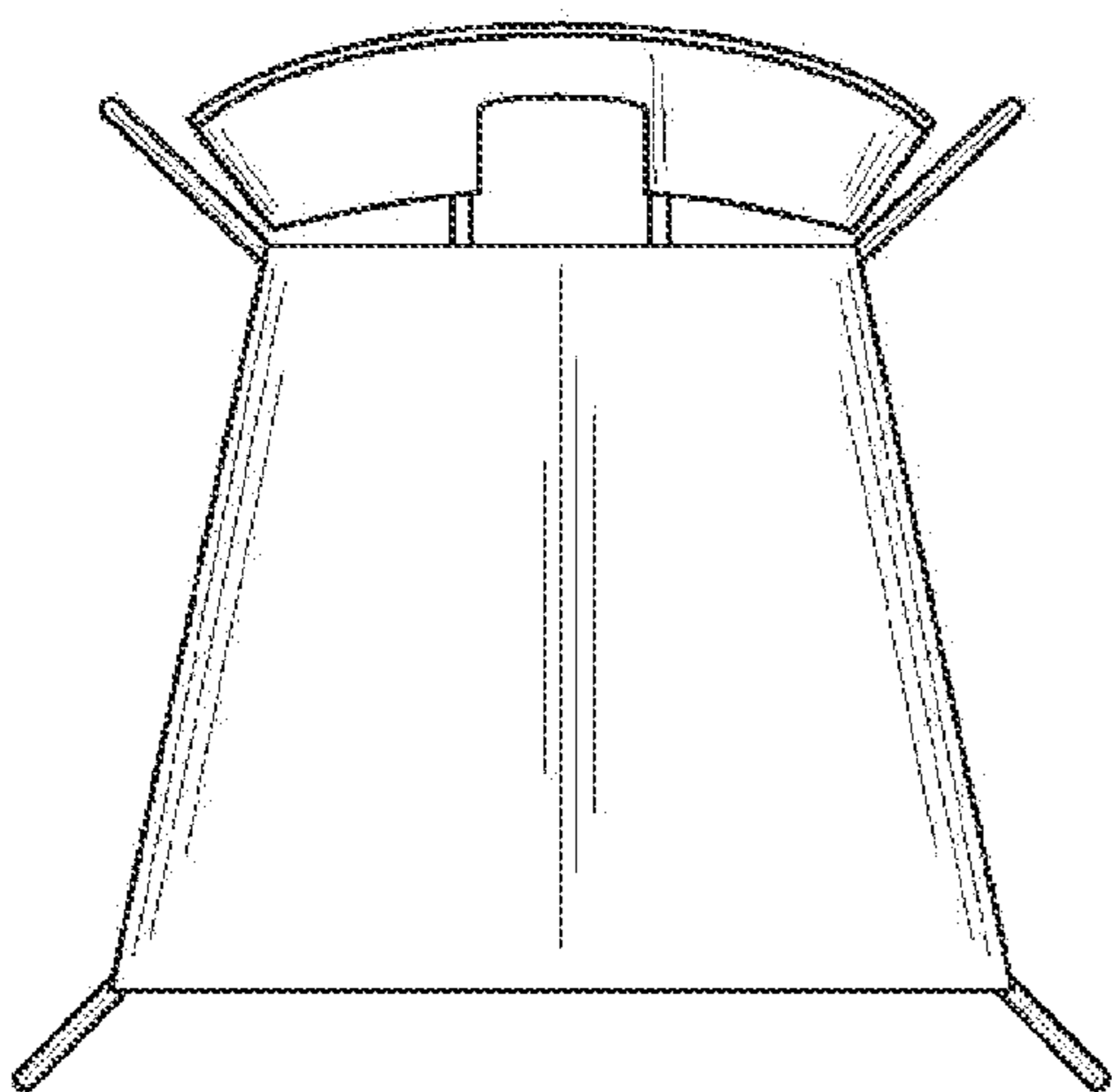


FIG. 5

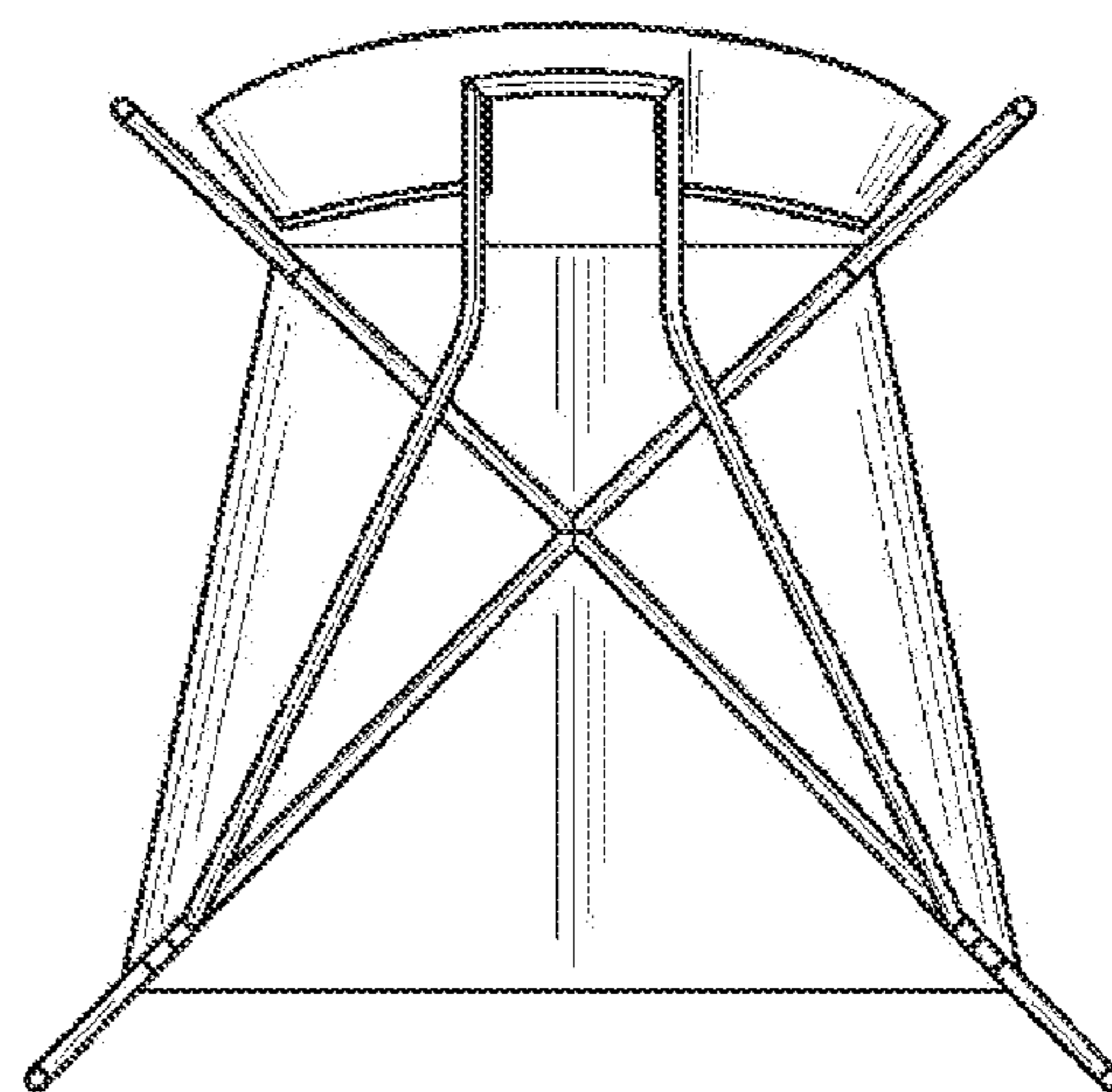


FIG. 6